



US00D463425S

(12) **United States Design Patent**  
**Jenkins**

(10) **Patent No.:** **US D463,425 S**

(45) **Date of Patent:** **\*\* Sep. 24, 2002**

(54) **HAND-HELD COMPUTER**

(75) Inventor: **Ian R. Jenkins**, Stony Brook, NY (US)

(73) Assignee: **Symbol Technologies, Inc.**, Holtsville, NY (US)

(\*\*) Term: **14 Years**

(21) Appl. No.: **29/144,589**

(22) Filed: **Sep. 13, 2001**

(51) **LOC (7) Cl.** ..... **14-02**

(52) **U.S. Cl.** ..... **D14/347; D14/138**

(58) **Field of Search** ..... **D14/341-346, D14/347, 138; D18/1, 2, 7; 235/145 A, 145 R; 345/156, 168, 169, 172, 173; 341/22, 23; 361/680-686, 747**

(56) **References Cited**

**U.S. PATENT DOCUMENTS**

D283,711 S	*	5/1986	Deura et al. ....	D14/347
D341,825 S	*	11/1993	Hamilton .....	D14/346
D367,648 S	*	3/1996	Smith et al. ....	D14/343
D414,760 S		10/1999	Hetfield	

D429,226 S	*	8/2000	Siddoway et al. ....	D14/347
D430,158 S		8/2000	Bhatia	
D430,159 S		8/2000	Bhatia	
6,097,606 A	*	8/2000	Groves et al. ....	361/747
D431,562 S		10/2000	Bhatia	
D436,104 S		1/2001	Bhatia	

\* cited by examiner

*Primary Examiner*—Freda Nunn

(57) **CLAIM**

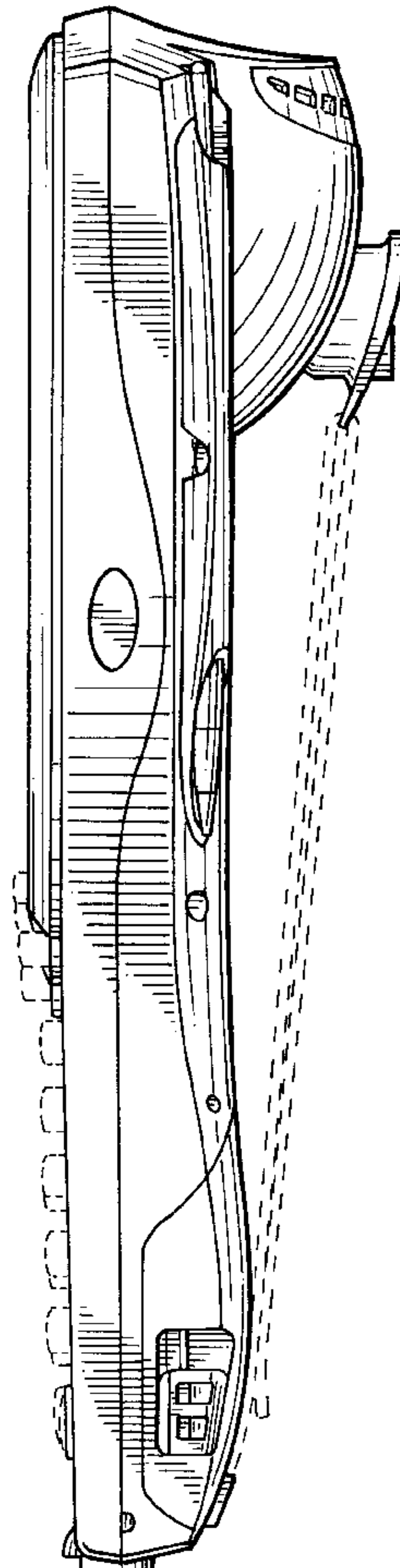
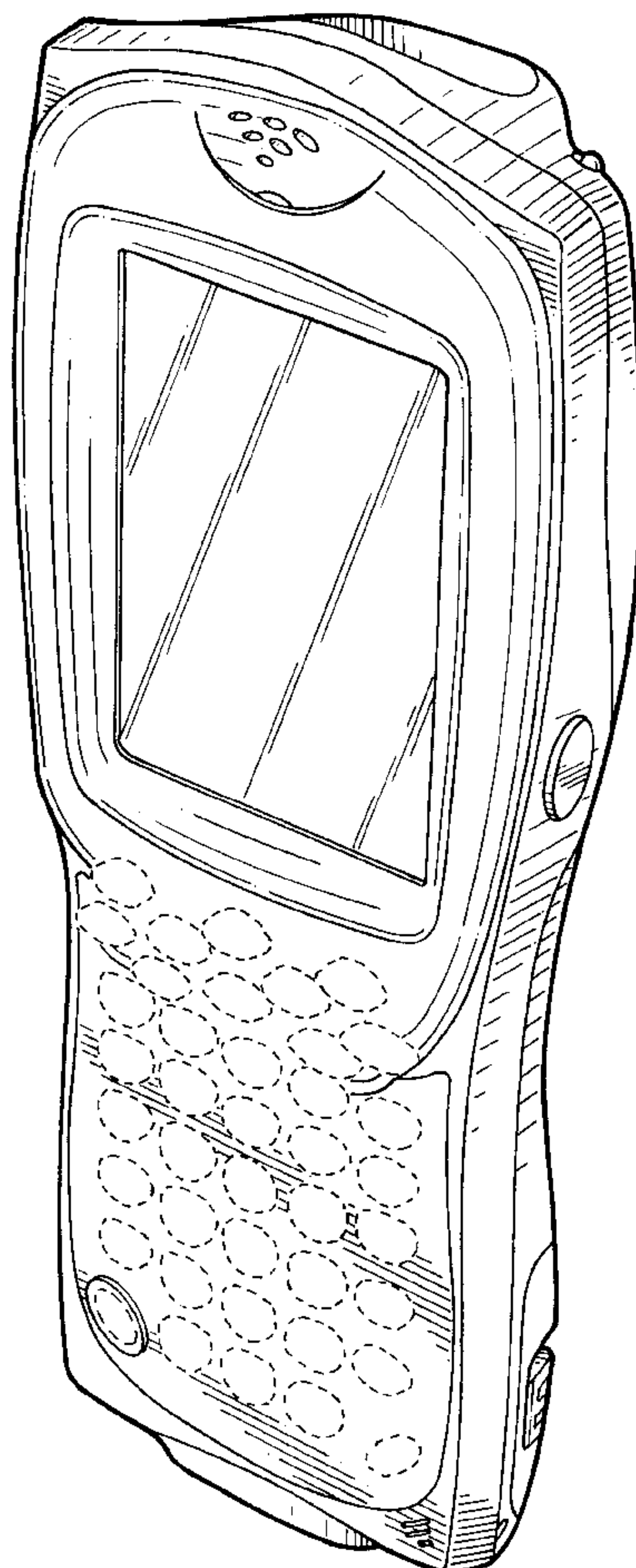
The ornamental design for a hand-held computer, as shown and described.

**DESCRIPTION**

FIG. 1 is a front perspective view of a hand held computer; FIG. 2 is a front view thereof; FIG. 3 is a right-side elevation view thereof; FIG. 4 is a left-side elevation view thereof. FIG. 5 is a back view thereof; FIG. 6 is a top view thereof; and, FIG. 7 is a bottom view thereof.

The broken lines are shown in the views for illustrative purposes only and form no part of the claimed invention.

**1 Claim, 6 Drawing Sheets**



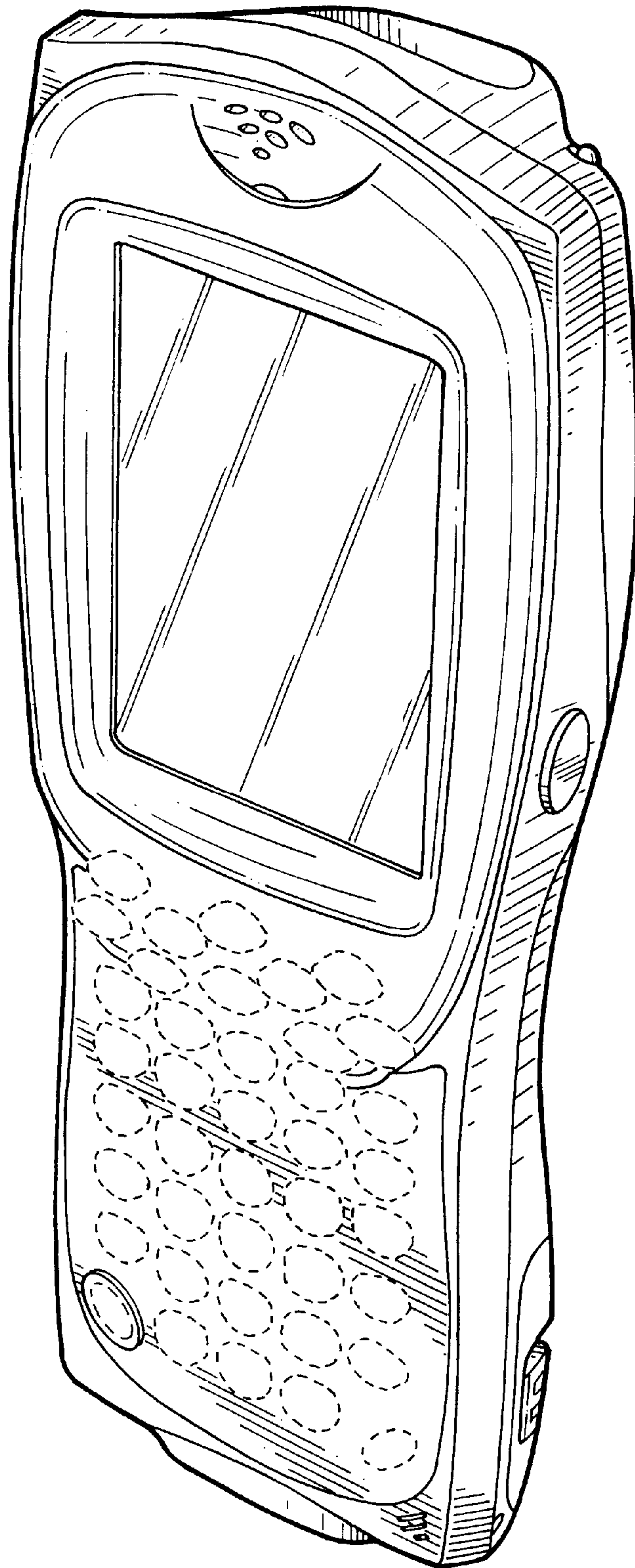


FIG. 1

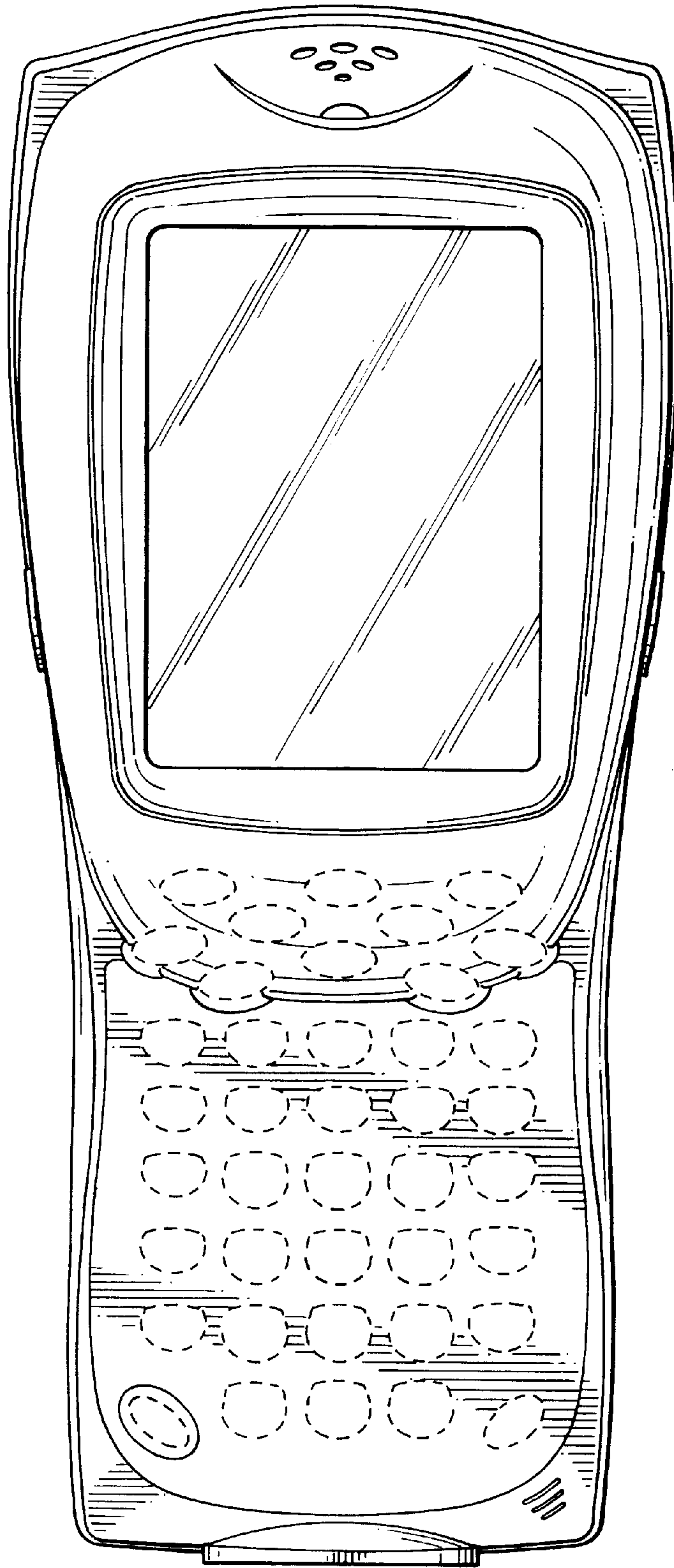


FIG. 2

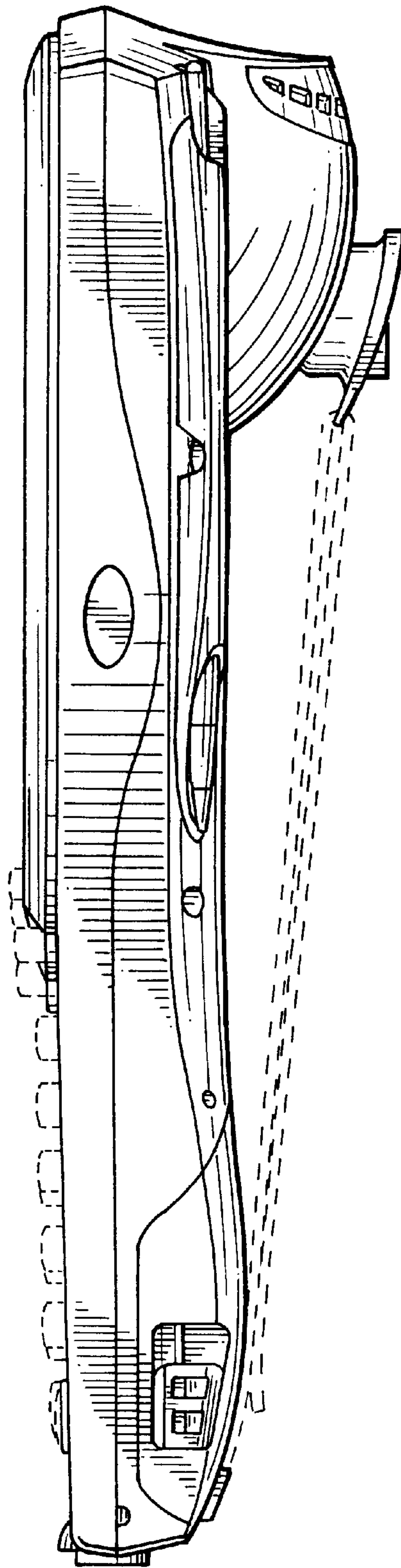


FIG. 3



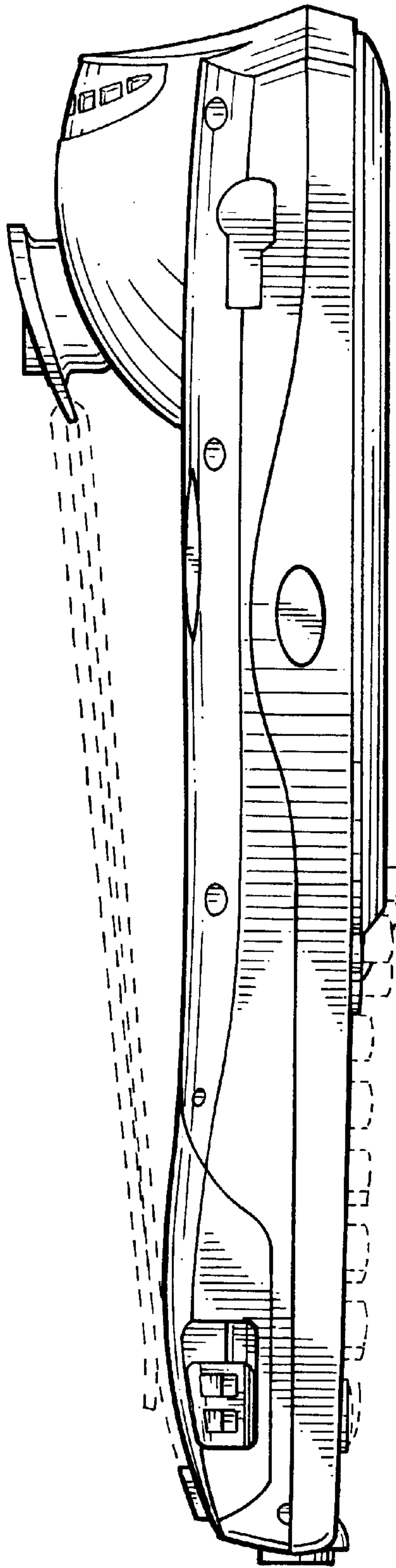


FIG. 4

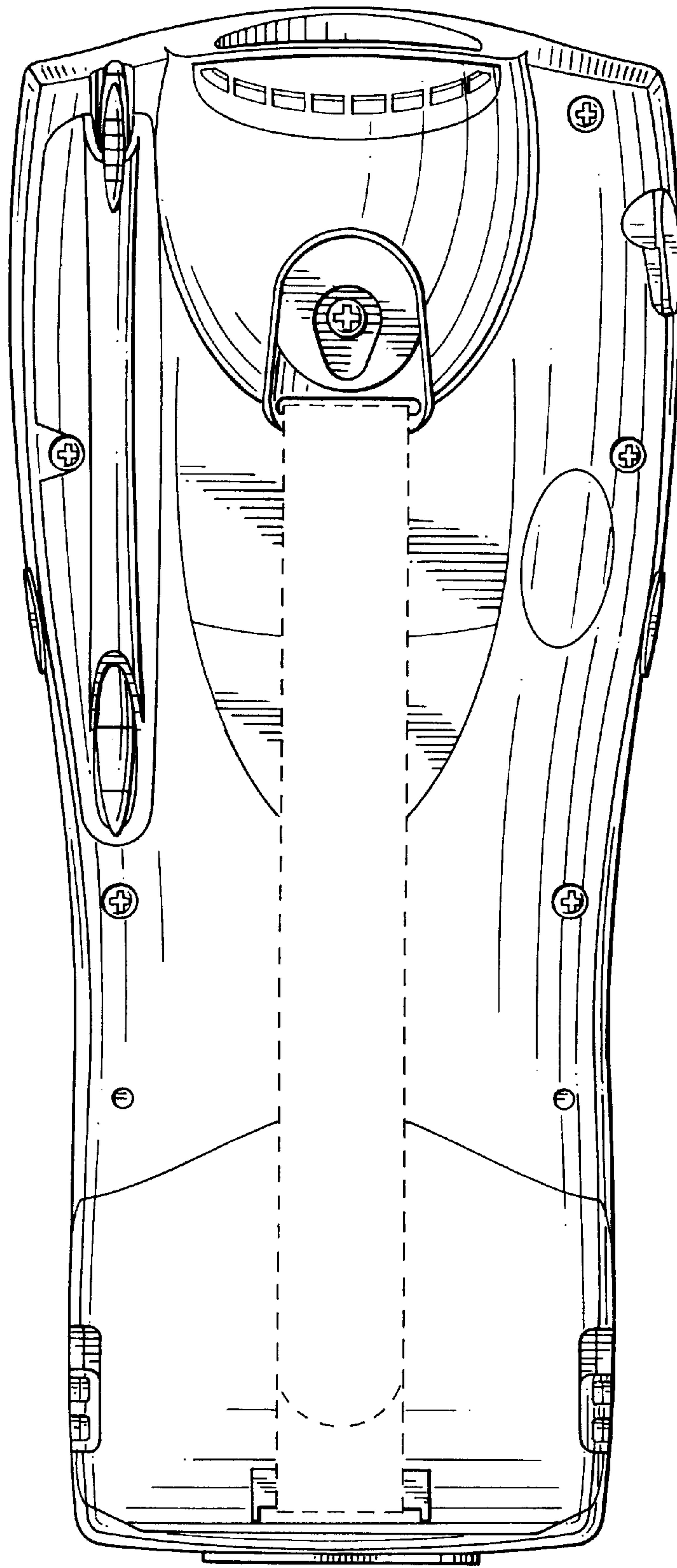


FIG. 5

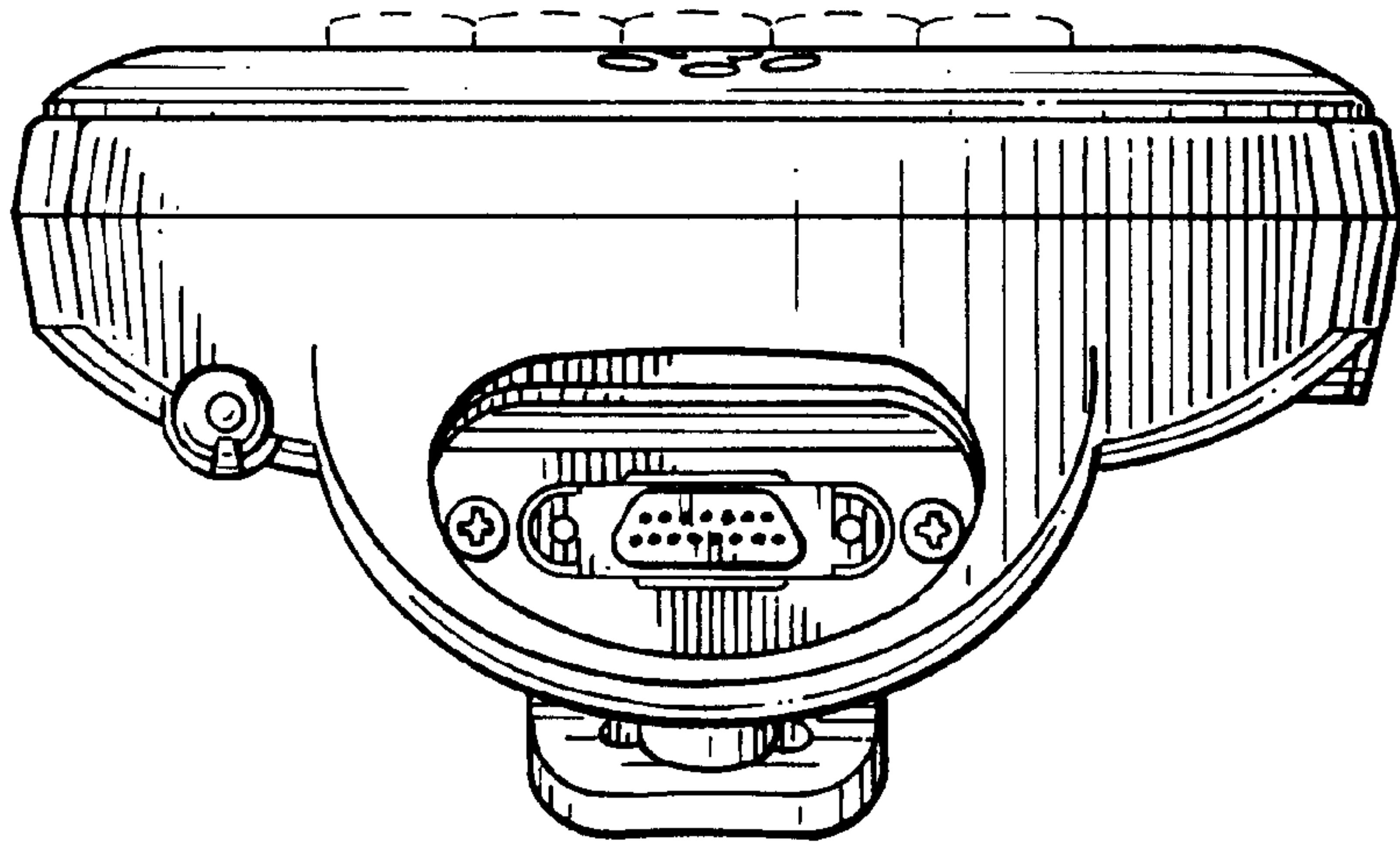


FIG. 6

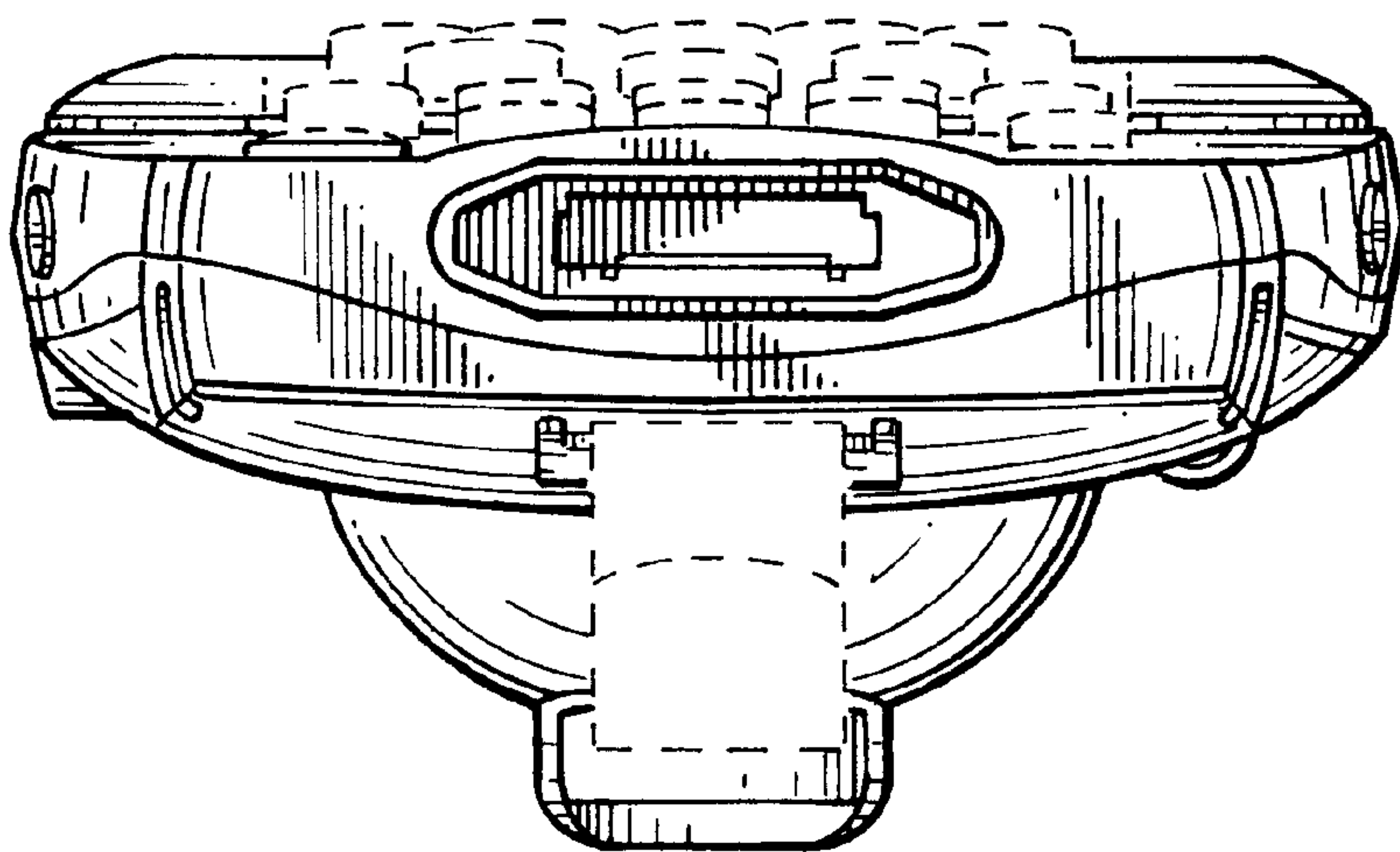


FIG. 7