



US00D463416S

(12) **United States Design Patent**
Tomino et al.

(10) **Patent No.:** **US D463,416 S**

(45) **Date of Patent:** **** Sep. 24, 2002**

(54) **MEDIA CONVERTER**

(75) Inventors: **Hiroyuki Tomino, Tokyo (JP); Takeshi Maruyama, Tokyo (JP)**

(73) Assignee: **Allied Telesis Kabushiki Kaisha, Tokyo (JP)**

(**) Term: **14 Years**

(21) Appl. No.: **29/152,329**

(22) Filed: **Dec. 14, 2001**

(51) **LOC (7) Cl.** **14-03**

(52) **U.S. Cl.** **D14/240**

(58) **Field of Search** D14/137, 240, D14/138, 242, 308, 356, 357, 358, 311, 313, 441, 144, 348-355, 370, 341-347, 125, 432, 433, 155, 299, 257, 439, 140, 188, 230, 241, 243, 245; 379/433.01-433.13, 419, 434, 428.01-428.04, 420.01-420.04, 440, 441, 442; 455/550-575, 90; D13/184, 123, 152, 147, 110

(56) **References Cited**

U.S. PATENT DOCUMENTS

D186,981 S	*	1/1960	Hughes	D14/356
D233,439 S	*	10/1974	Mathews	D14/240
D269,345 S	*	6/1983	Payne, Jr. et al.	D14/242
D291,443 S	*	8/1987	Pedinielli et al.	D14/242
D301,877 S	*	6/1989	Greenberg et al.	D14/242
D303,252 S	*	9/1989	Shih	D14/242
D307,577 S	*	5/1990	Abe et al.	D13/162.1
D309,731 S	*	8/1990	Takai	D14/242
D312,627 S	*	12/1990	Gutzmer	D14/242
D316,853 S	*	5/1991	Dickey	D14/356
D327,263 S	*	6/1992	Ogawa et al.	D14/137
D331,394 S	*	12/1992	Kobayashi et al.	D14/242
D346,607 S	*	5/1994	Bhargava et al.	D14/242
D346,806 S	*	5/1994	Chong	D14/240
D354,752 S	*	1/1995	Johnson et al.	D14/240
D357,684 S	*	4/1995	Moreland	D14/240
D360,192 S	*	7/1995	Lien	D14/355
5,570,422 A	*	10/1996	Napiorkowski et al.	379/413.02

D375,485 S	*	11/1996	Gray	D14/351
D383,139 S	*	9/1997	Hill et al.	D14/242
D408,812 S	*	4/1999	Danis	D14/137
D437,849 S	*	2/2001	Chen	D14/355

OTHER PUBLICATIONS

www.trendware.com/products/TFC-110_1.htm, TFC-110 Fiber Media Converter, visited Mar. 20, 2002.*

www.abocom.com.tw/vx200.htm, FET Media Converter, visited Mar. 20, 2002.*

Data Sheet for KC-201 Series, 100Base-TX to FX Single Fiber Media Converters, manufactured by KTI Networks, available at <http://ktinet.com/tw/Converter/kc-201/product.html> after Jul. 9, 2001.

Data Sheet for Accton Media Converter FE-C350 Series, available at <http://www.accton.co.jp/products/converter/fe-c350.html> after Jul. 9, 2001.

* cited by examiner

Primary Examiner—Jeffrey Asch

(74) *Attorney, Agent, or Firm*—Knobbe, Martens, Olson, & Bear LLP

(57) **CLAIM**

The ornamental design for a media converter, as shown.

DESCRIPTION

FIG. 1 is a perspective view of a media converter showing our new design;

FIG. 2 is a left side view thereof;

FIG. 3 is a right side view thereof;

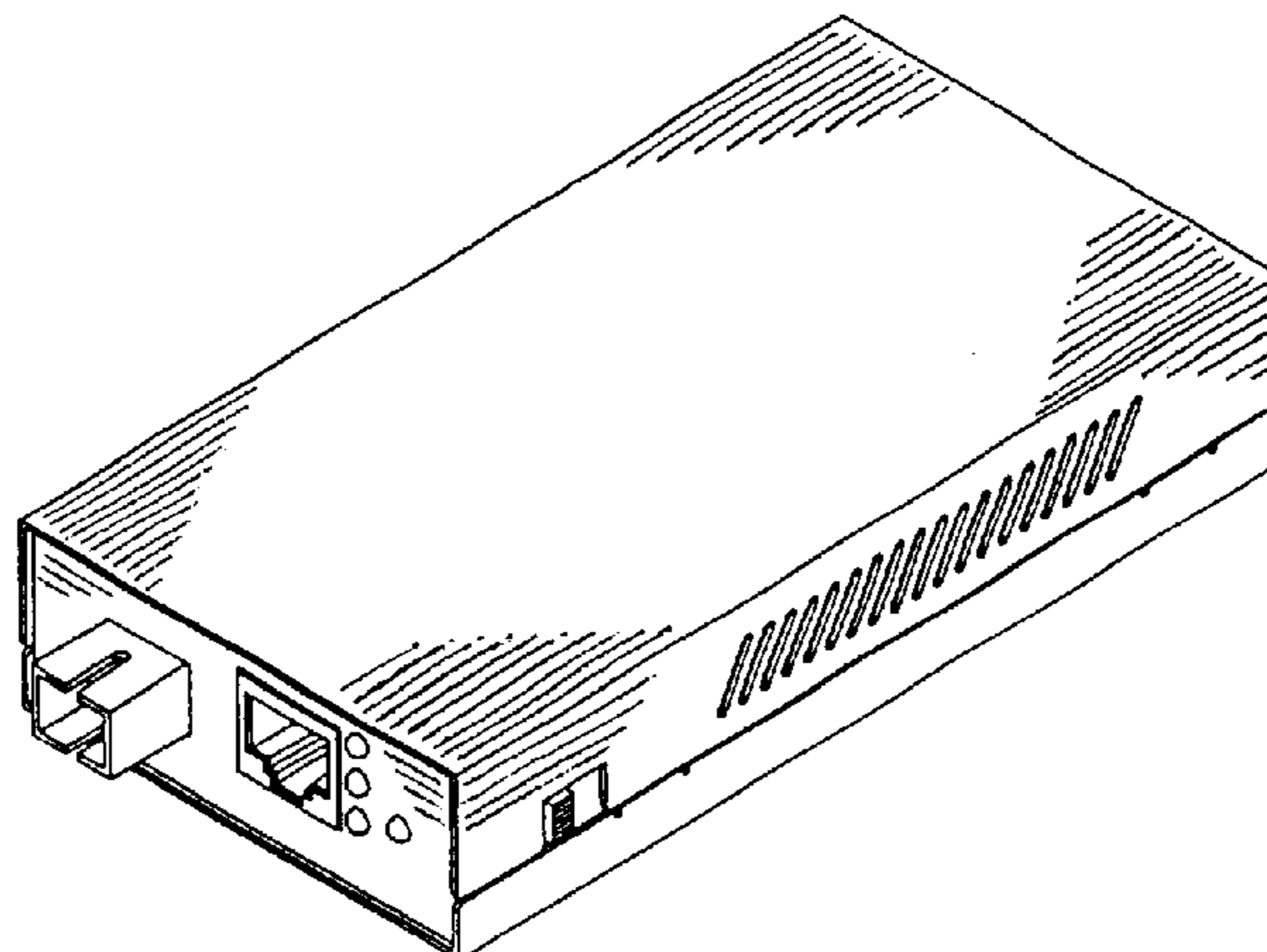
FIG. 4 is a front side view thereof;

FIG. 5 is a back side view thereof;

FIG. 6 is a top plan view thereof; and,

FIG. 7 is a bottom plan view thereof.

1 Claim, 3 Drawing Sheets



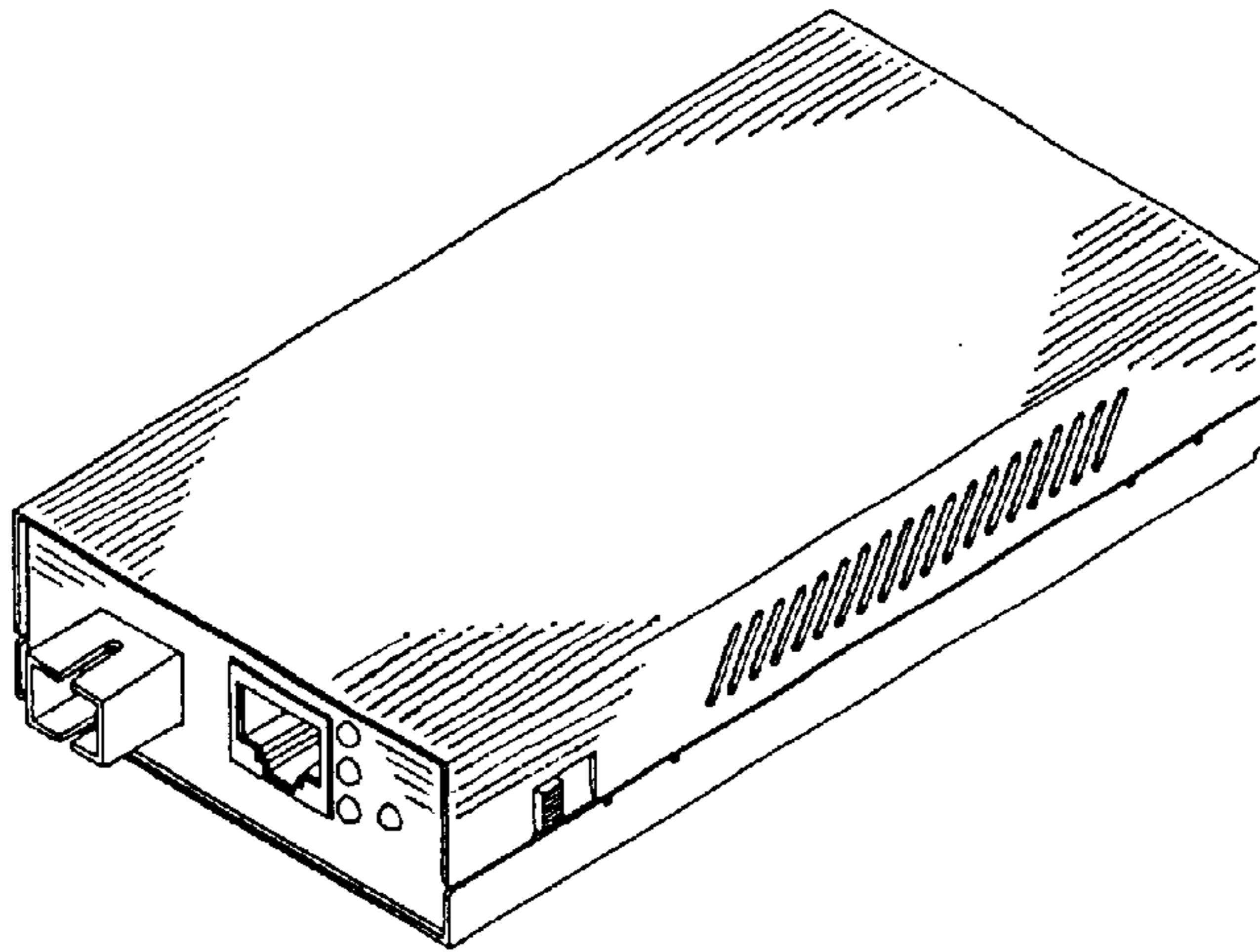


FIG.1

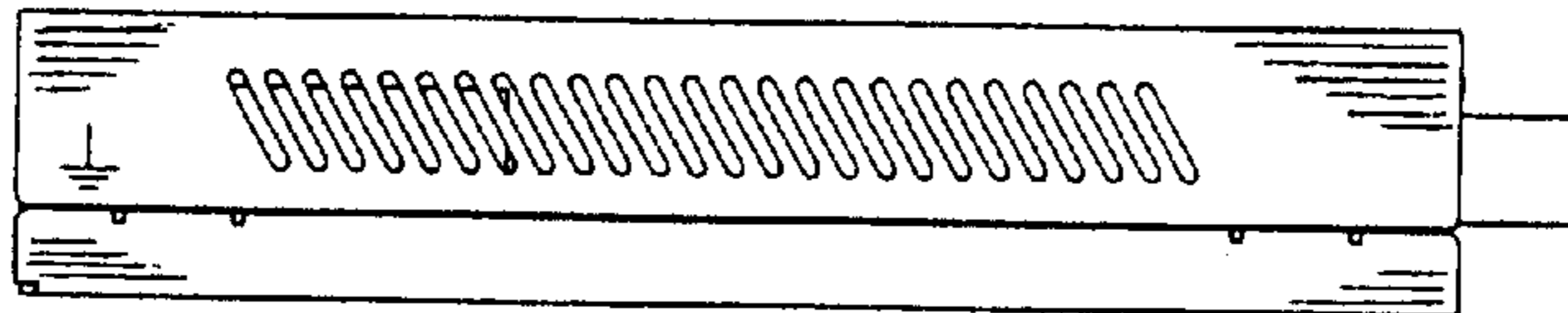


FIG.2

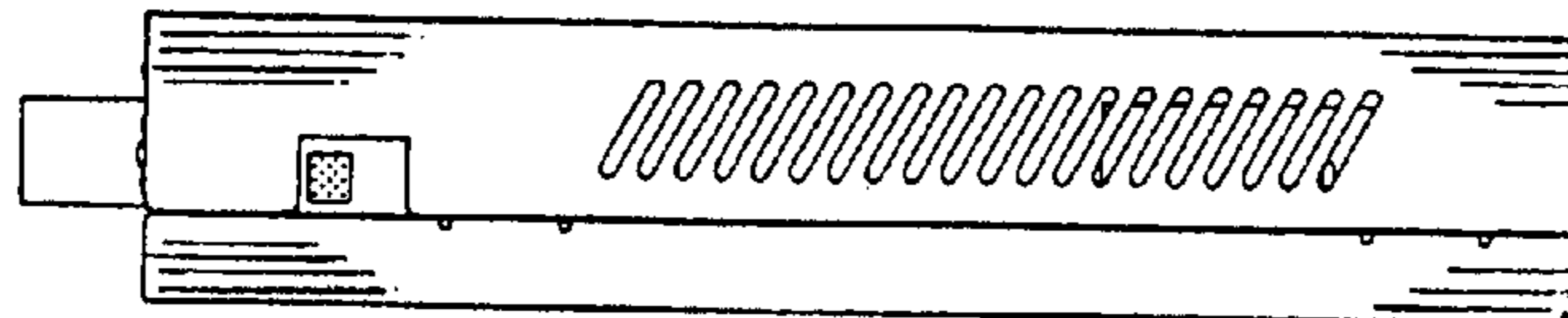


FIG.3

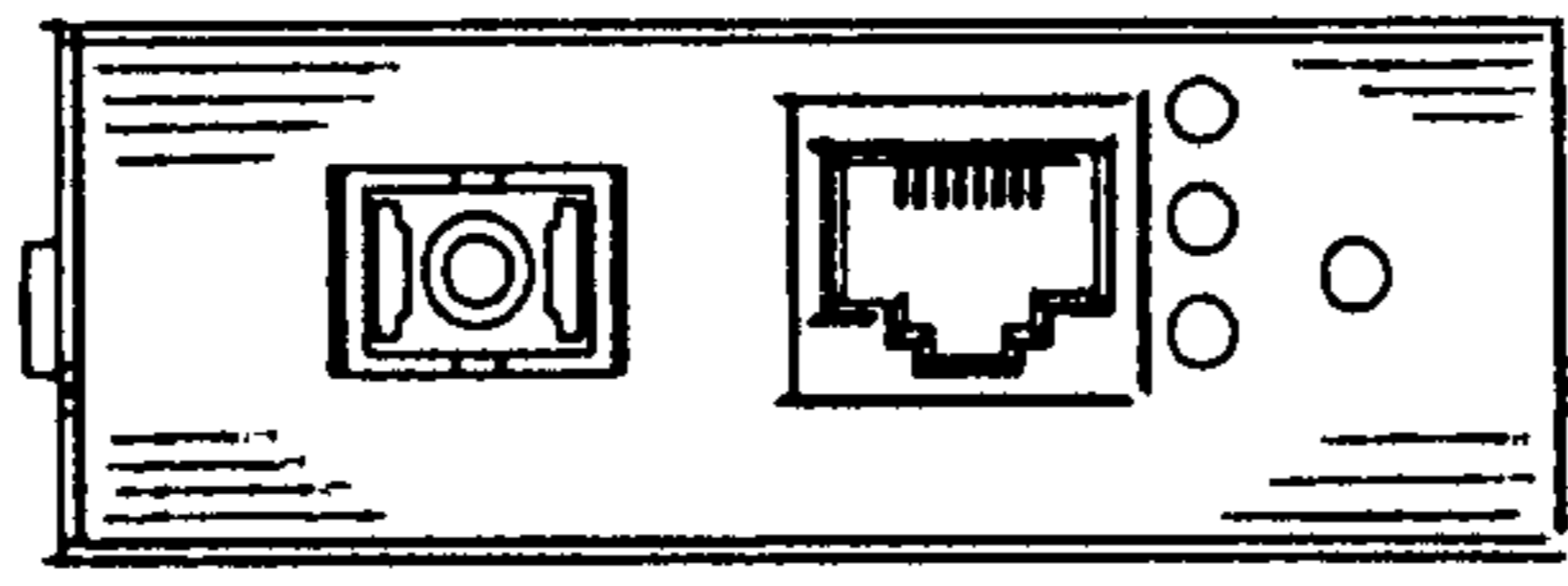


FIG.4

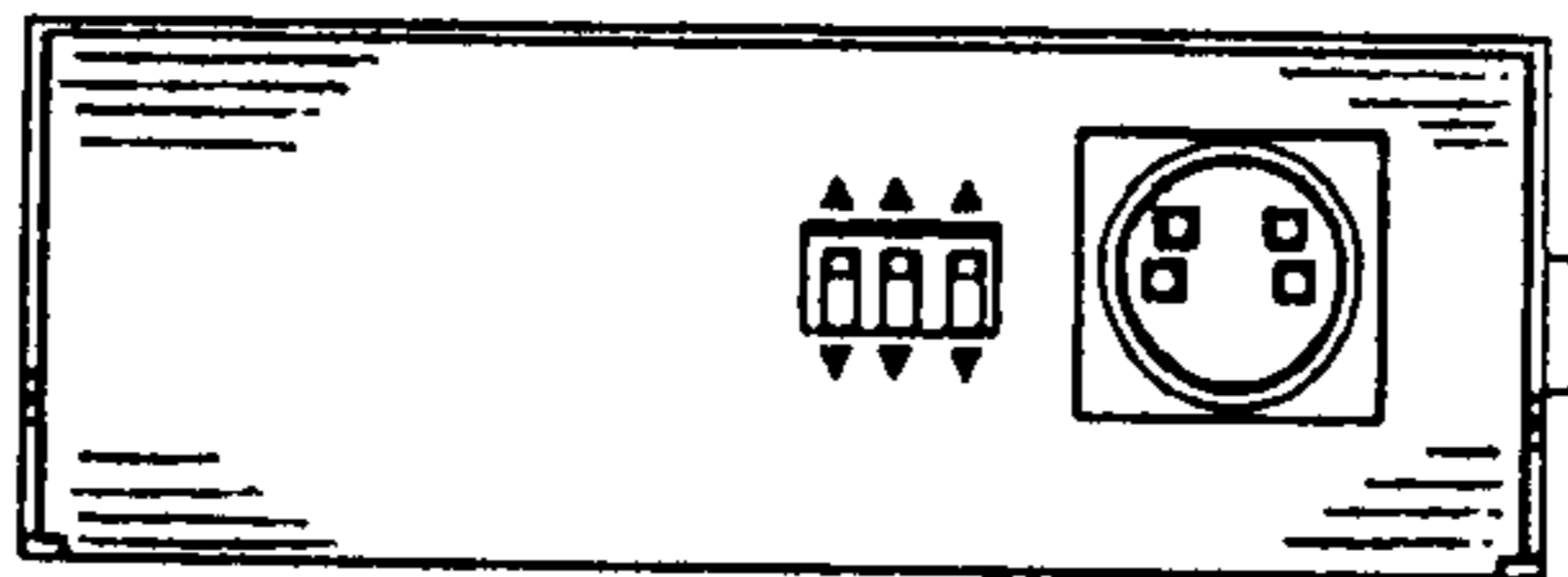


FIG.5

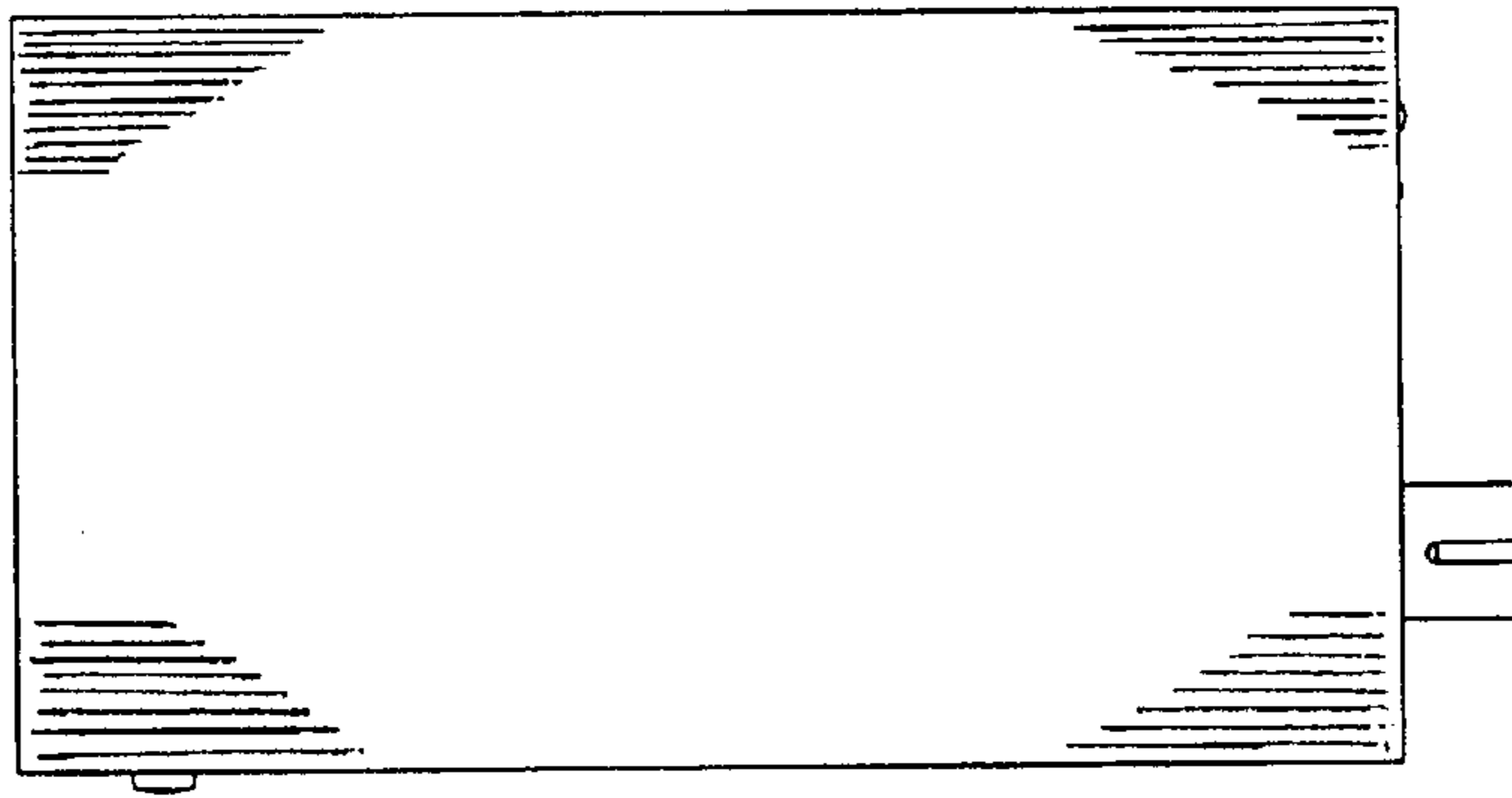


FIG. 6

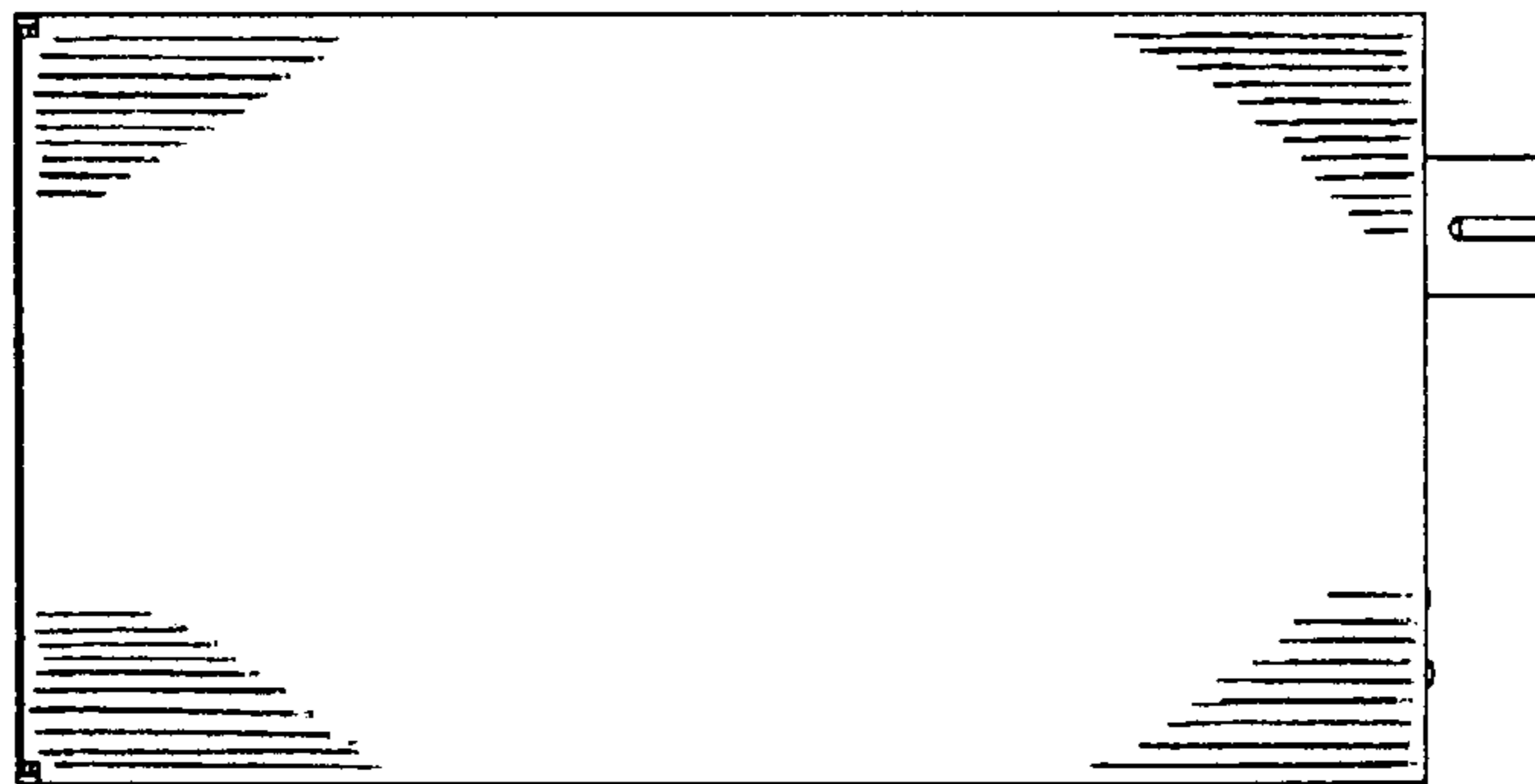


FIG. 7