



US00D463415S

(12) **United States Design Patent**
Tomino et al.

(10) **Patent No.: US D463,415 S**

(45) **Date of Patent: ** Sep. 24, 2002**

(54) **ROUTER**

(75) Inventors: **Hiroyuki Tomino**, Shinagawa-ku (JP);
Takatsugu Nishi, Shinagawa-ku (JP)

(73) Assignee: **Allied Telesis Kabushiki Kaisha**,
Tokyo (JP)

(**) Term: **14 Years**

(21) Appl. No.: **29/150,529**

(22) Filed: **Nov. 5, 2001**

(30) **Foreign Application Priority Data**

Aug. 10, 2001 (JP) 2001-027019

(51) **LOC (7) Cl.** **14-03**

(52) **U.S. Cl.** **D14/240**

(58) **Field of Search** D14/137, 240,
D14/138, 242, 308, 356, 357, 358, 311,
313, 441, 144, 348-355, 370, 341-347,
125, 432, 433, 155, 299, 257, 439, 140,
188, 230, 241, 243, 245; 379/433.01-433.13,
419, 434, 428.01-428.04, 420.01-420.04,
440, 441, 442; 455/550-575, 90; D13/184,
123, 152, 147, 110

(56) **References Cited**

U.S. PATENT DOCUMENTS

- D269,345 S * 6/1983 Payne, Jr. et al. D14/242
- D289,648 S * 5/1987 Felix et al. D14/242
- D295,178 S * 4/1988 Pedinielli et al. D14/242
- D303,252 S * 9/1989 Shih D14/242
- D304,823 S * 11/1989 Pfeifer et al. D14/353
- D308,864 S * 6/1990 Takai D14/242
- D309,731 S * 8/1990 Takai D14/242
- D312,620 S * 12/1990 Koepke et al. D14/354
- D321,343 S * 11/1991 Feer et al. D14/242
- D323,818 S * 2/1992 Willis et al. D14/353
- D325,194 S * 4/1992 Kline et al. D14/354
- D331,227 S * 11/1992 Esslinger D14/455
- D331,391 S * 12/1992 Furuta et al. D14/353
- D345,970 S * 4/1994 Kawamoto D14/125

- D348,255 S * 6/1994 Komada D14/357
- D348,257 S * 6/1994 Wingate D14/313
- D348,447 S * 7/1994 Komada D14/357
- D354,737 S * 1/1995 Fladung D13/164
- D366,248 S * 1/1996 Owens D13/184
- D370,677 S * 6/1996 Olson D14/188
- D380,447 S * 7/1997 Chen et al. D13/164
- D381,317 S * 7/1997 Yu D13/139.4
- 5,645,434 A * 7/1997 Leung 439/74
- D383,139 S * 9/1997 Hill et al. D14/242
- D384,649 S * 10/1997 Heberling et al. D14/352
- D396,690 S * 8/1998 Fryers D13/147
- D403,668 S * 1/1999 Parent D14/356
- D405,799 S * 2/1999 Ino D14/240
- D407,393 S * 3/1999 Kazama D14/125
- D411,985 S * 7/1999 Hartel D14/313
- D416,562 S * 11/1999 Larson et al. D14/242
- D420,676 S * 2/2000 Wang et al. D14/242
- D441,375 S * 5/2001 Hisatsune et al. D14/496
- D451,883 S * 12/2001 Reynolds D13/110

OTHER PUBLICATIONS

www.mediapro.com.sg/router.htm, visited Mar. 20, 2002,
Zyxel, NetGear, and SMC routers, 4pp.*

* cited by examiner

Primary Examiner—Jeffrey Asch

(74) *Attorney, Agent, or Firm*—Knobbe, Martens, Olson, &
Bear LLP

(57) **CLAIM**

The ornamental design for a router, as shown.

DESCRIPTION

FIG. 1 is a perspective view of a router showing our new design;
FIG. 2 is a front elevation view thereof;
FIG. 3 is a back elevation view thereof;
FIG. 4 is a left side view thereof;
FIG. 5 is a right side view thereof;
FIG. 6 is a top plan view thereof; and,
FIG. 7 is a bottom plan view thereof.

1 Claim, 3 Drawing Sheets

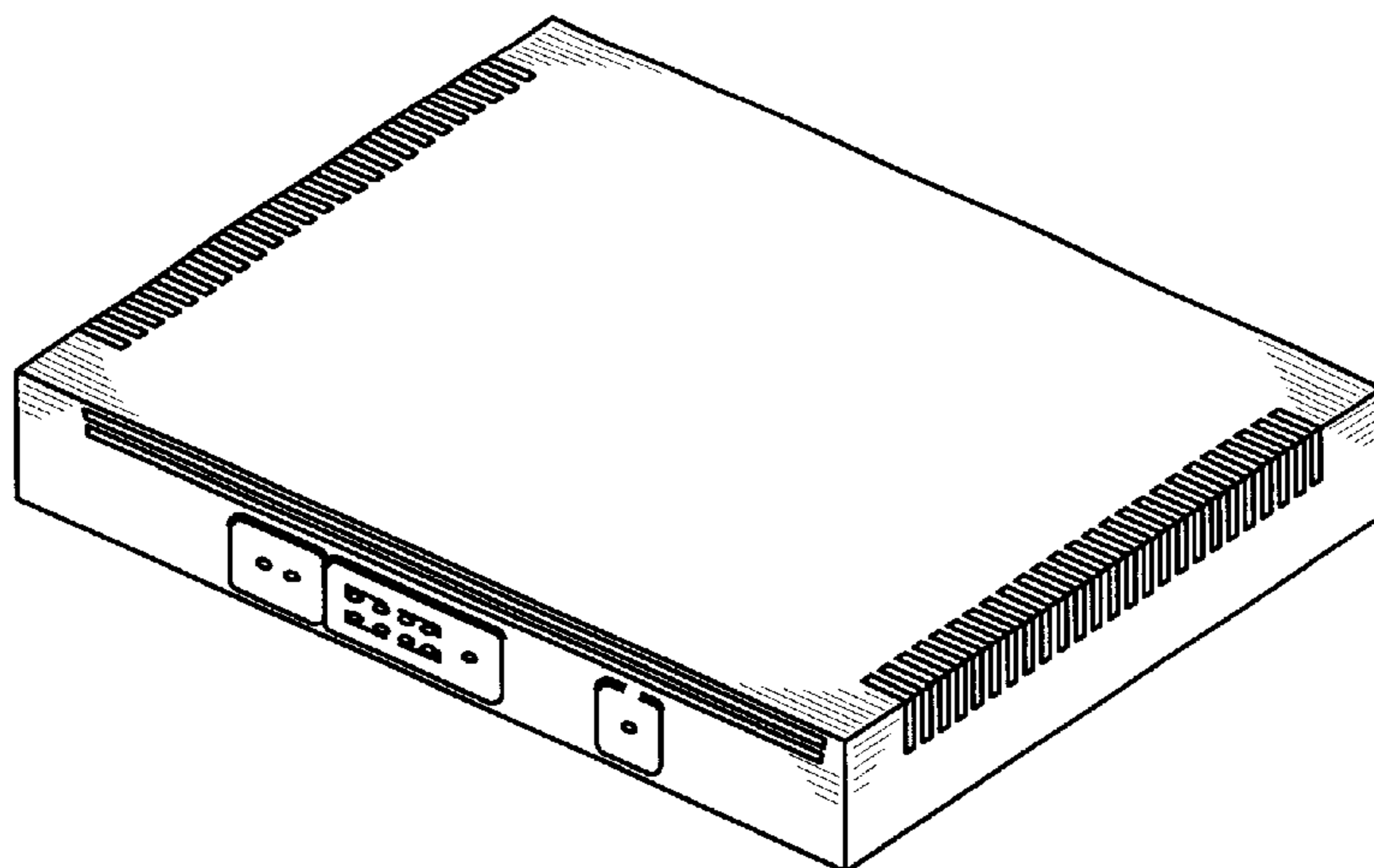


FIG. 1

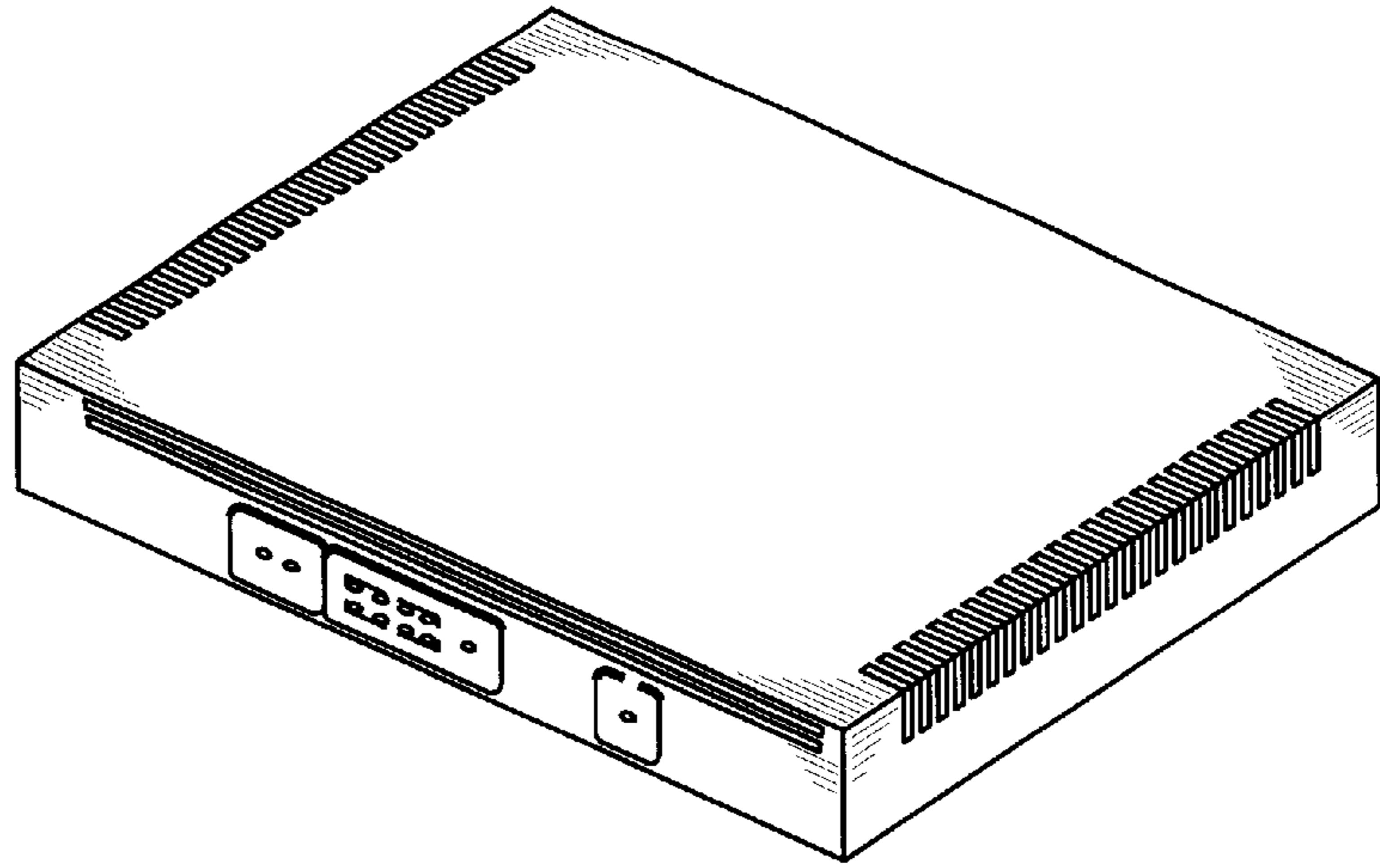


FIG. 2

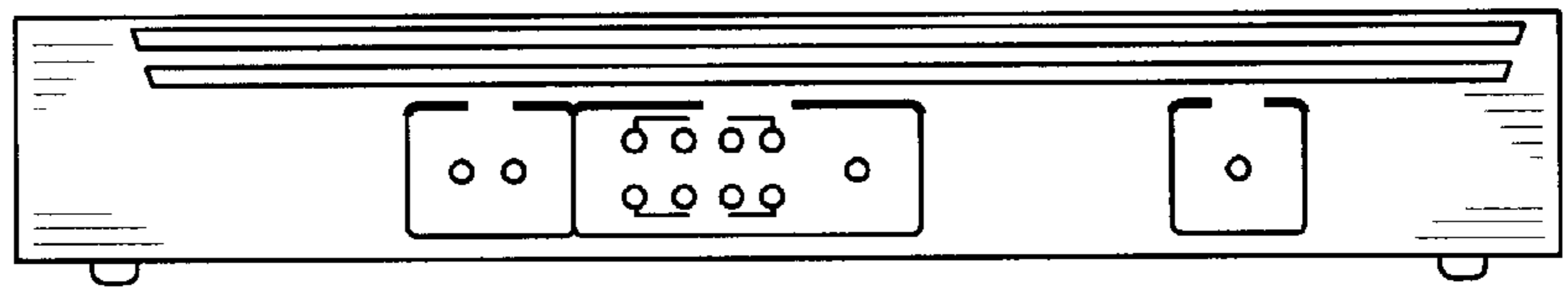
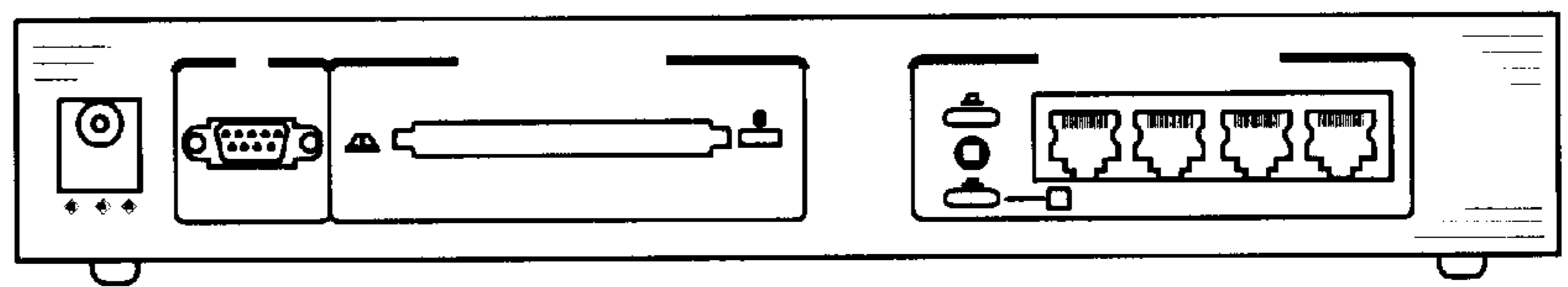


FIG. 3



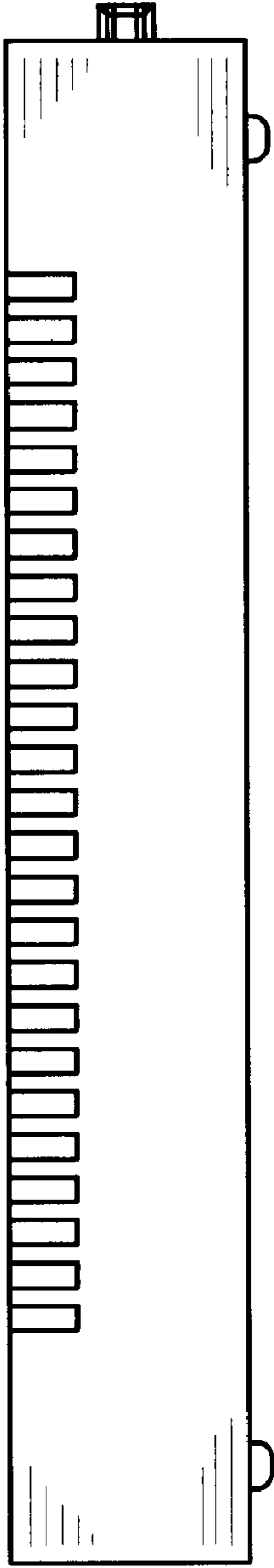


FIG. 4

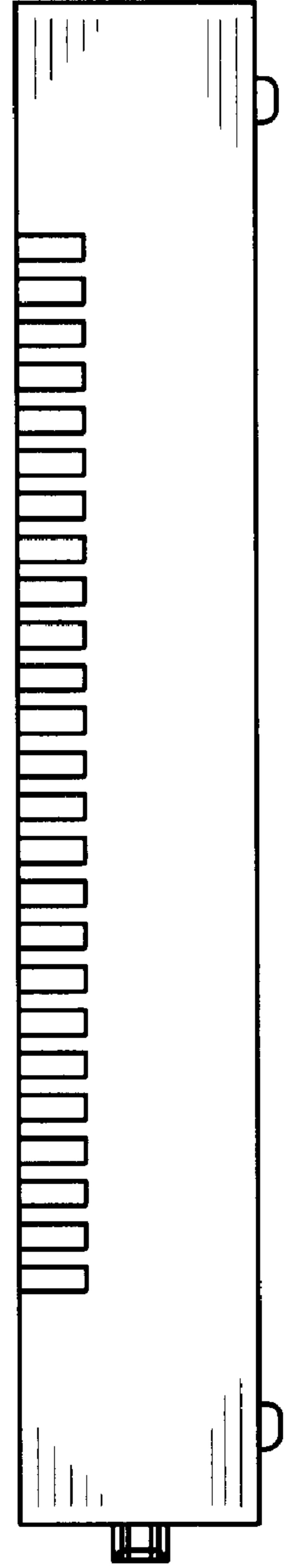


FIG. 5

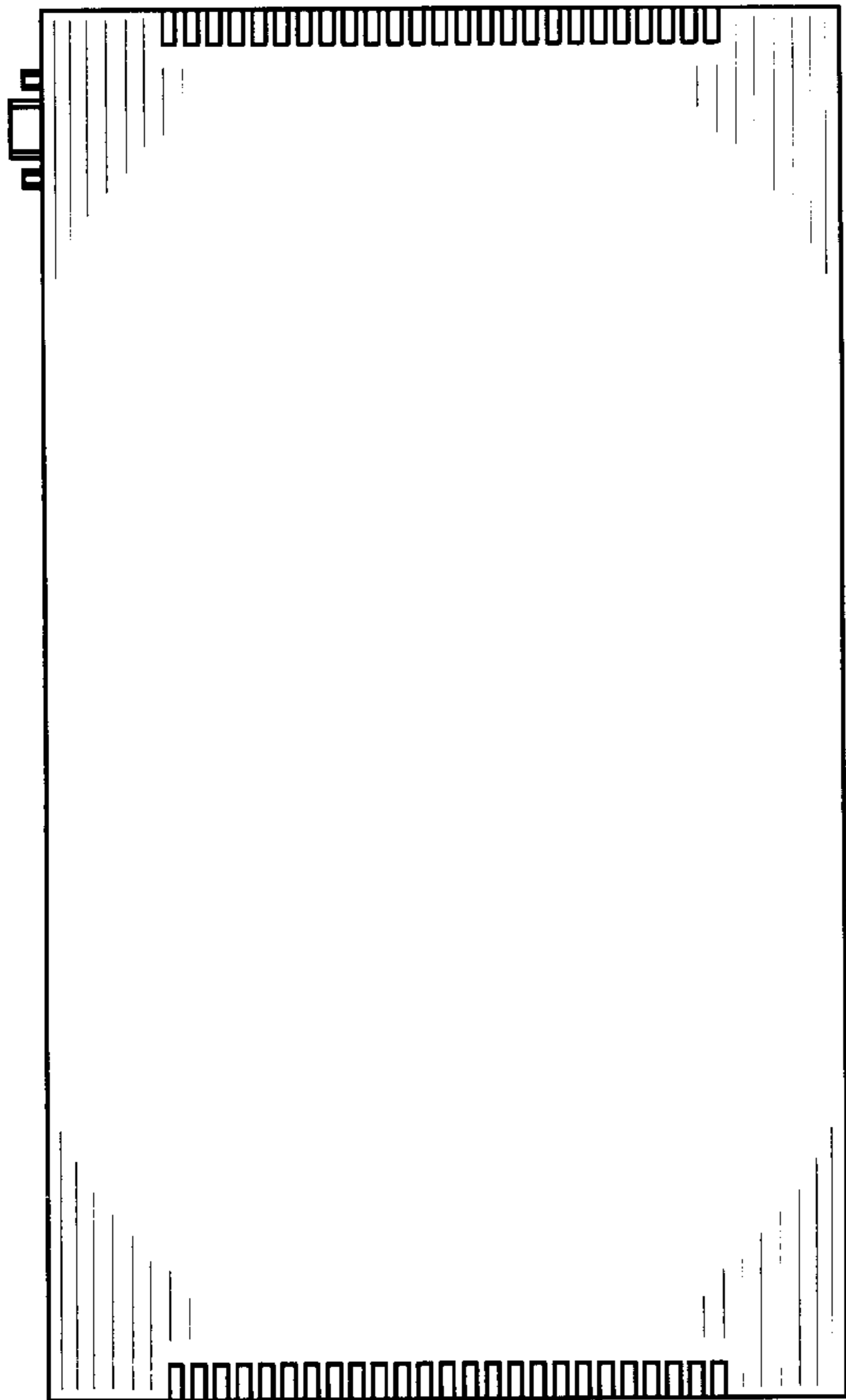


FIG. 6

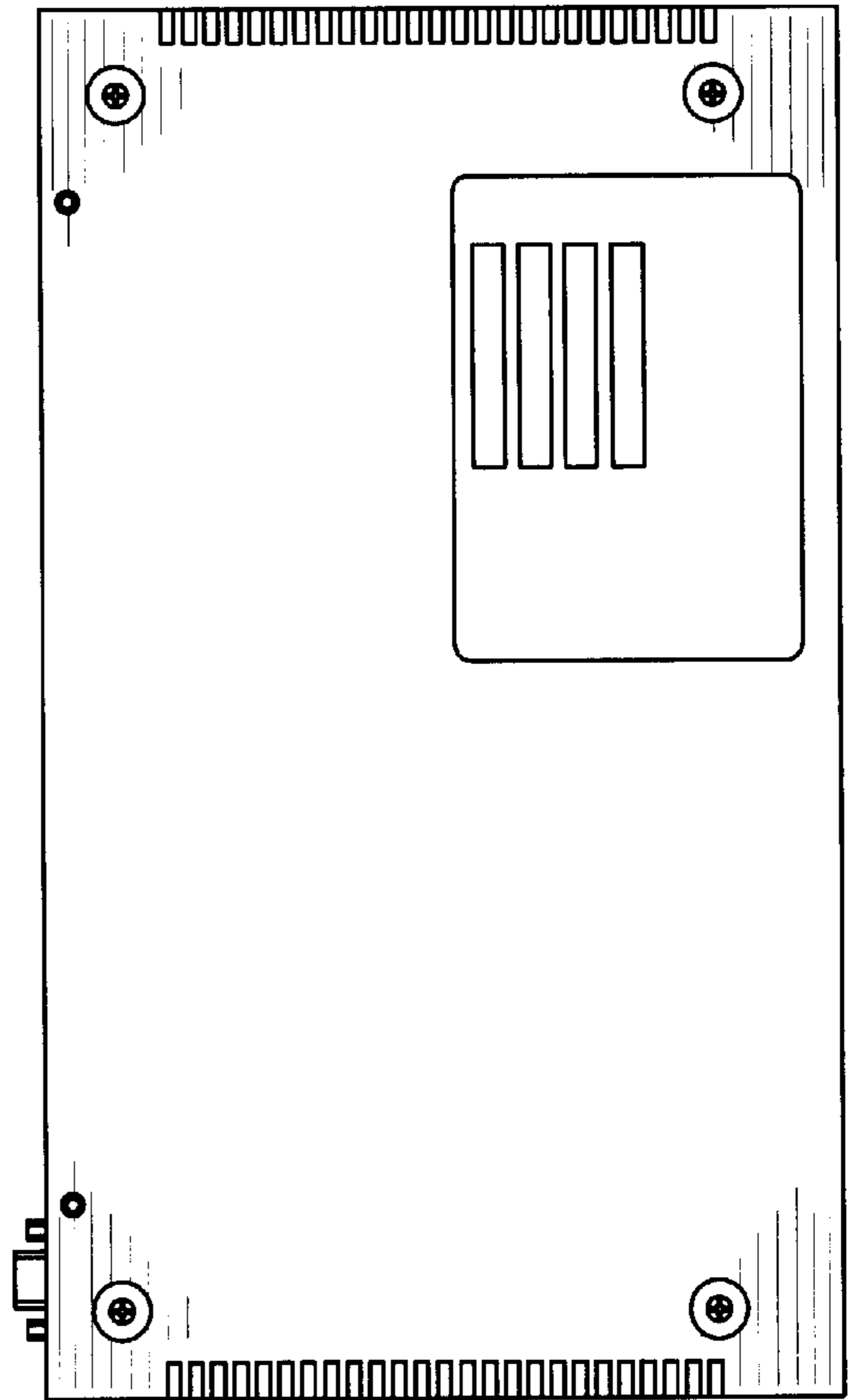


FIG. 7

UNITED STATES PATENT AND TRADEMARK OFFICE
CERTIFICATE OF CORRECTION

PATENT NO. : Des. 463,415 S
DATED : September 24, 2002
INVENTOR(S) : Hiroyuki Tomino et al.

Page 1 of 1

It is certified that error appears in the above-identified patent and that said Letters Patent is hereby corrected as shown below:

Title page,

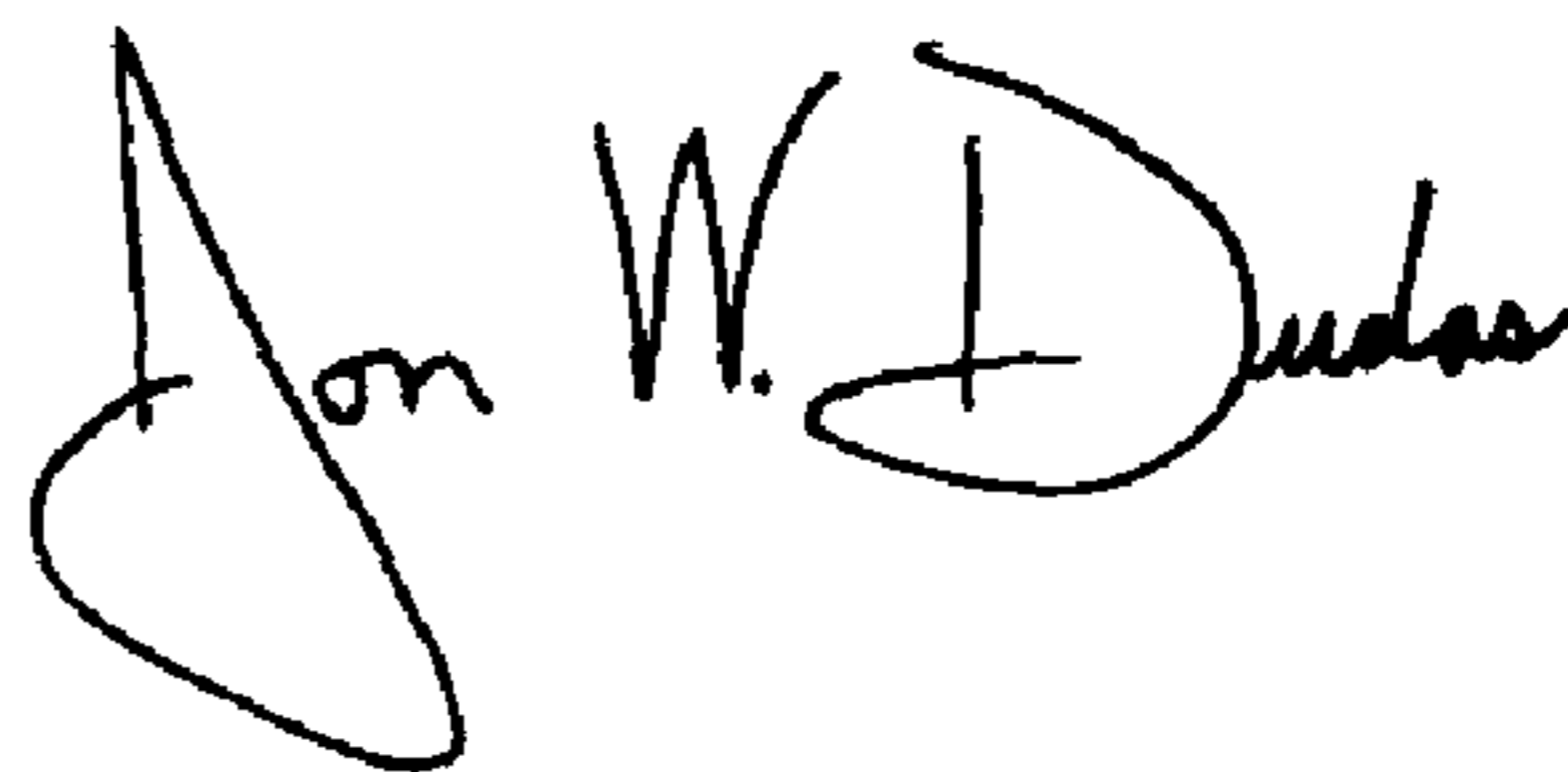
Item [56], **References Cited**, insert:

-- FOREIGN PATENT DOCUMENTS

Japanese Design No. 1,082,335 08/14/00 Japan --

Signed and Sealed this

Eleventh Day of May, 2004

A handwritten signature in black ink that reads "Jon W. Dudas". The signature is written in a cursive style with a large, looped initial "J".

JON W. DUDAS
Acting Director of the United States Patent and Trademark Office

UNITED STATES PATENT AND TRADEMARK OFFICE
CERTIFICATE OF CORRECTION

PATENT NO. : Des. 463,415 S
DATED : September 24, 2002
INVENTOR(S) : Hiroyuki Tomino et al.

Page 1 of 1

It is certified that error appears in the above-identified patent and that said Letters Patent is hereby corrected as shown below:

Title page,

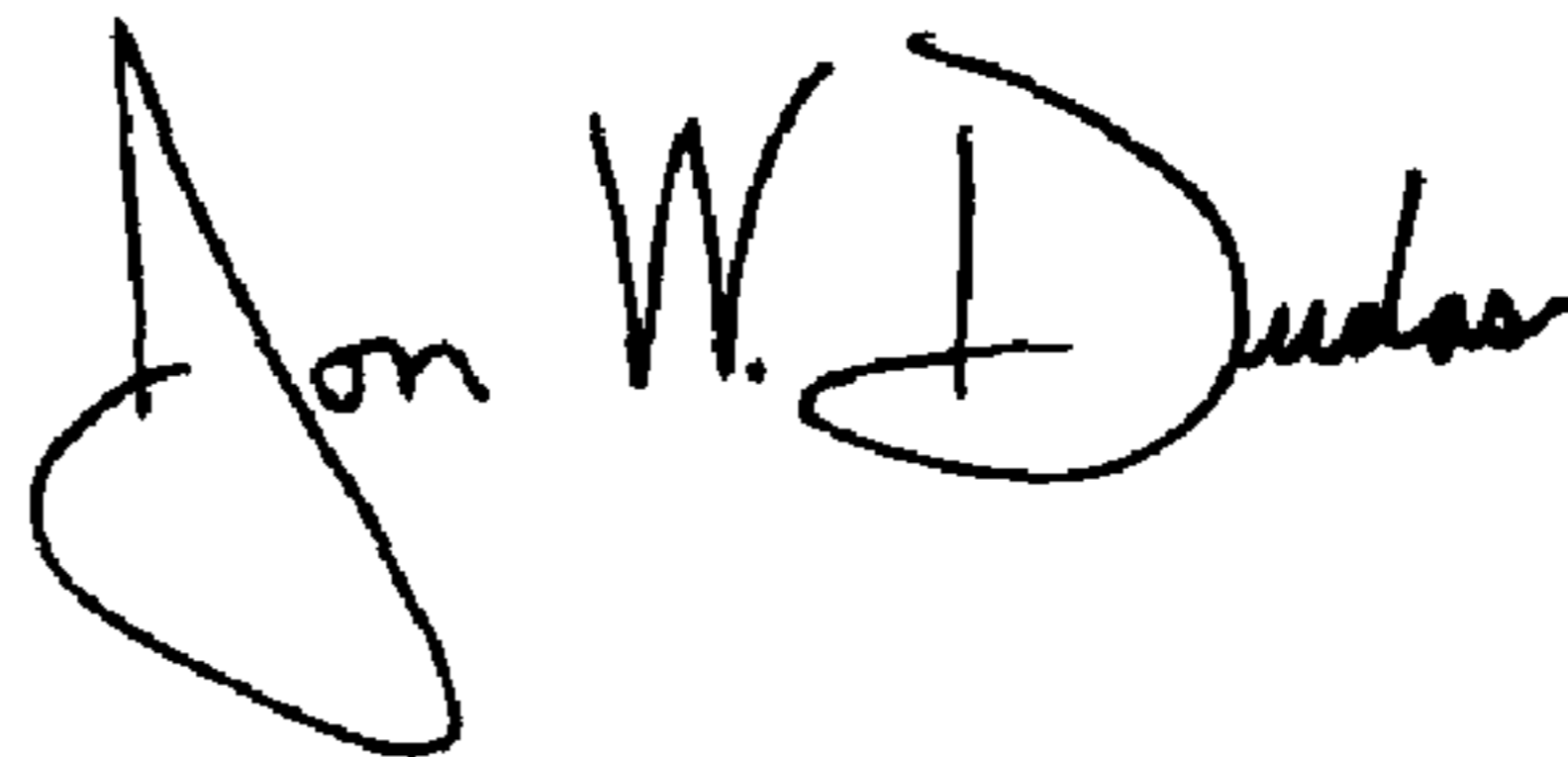
Item [56], **References Cited**, insert:

-- FOREIGN PATENT DOCUMENTS

Japanese Design No. 1,082,335 08/14/00 Japan --

Signed and Sealed this

Eighteenth Day of May, 2004



JON W. DUDAS

Acting Director of the United States Patent and Trademark Office