



US00D463414S

(12) **United States Design Patent**
Gao

(10) **Patent No.:** **US D463,414 S**

(45) **Date of Patent:** **** Sep. 24, 2002**

(54) **OPTICAL AMPLIFIER**

(75) Inventor: **Renfeng Gao**, Phoenixville, PA (US)

(73) Assignee: **Photon-X, Inc.**, Malvern, PA (US)

(**) Term: **14 Years**

(21) Appl. No.: **29/143,183**

(22) Filed: **Jun. 8, 2001**

(51) **LOC (7) Cl.** **14-03**

(52) **U.S. Cl.** **D14/240; D13/182**

(58) **Field of Search** D14/137, 240,
D14/242, 356, 357, 358, 441, 144, 370,
341-347, 125, 432, 433, 155, 299, 257,
439, 140, 188, 230, 241, 243, 245; 379/433.01-433.13,
419, 434, 428.01-428.04, 420.01-420.04,
440, 441, 442; 455/550-575, 90; D13/184,
123, 152, 182, 147, 110, 164; 359/109,
117, 118, 333-349; D8/356

(56) **References Cited**

U.S. PATENT DOCUMENTS

D310,998 S	*	10/1990	Lee et al.	D14/434
D331,573 S	*	12/1992	Iino	D14/434
D338,674 S	*	8/1993	Fogarty, Sr.	D14/218
D394,656 S	*	5/1998	Kato et al.	D14/159
5,778,132 A		7/1998	Csipkes et al.		
D421,968 S	*	3/2000	Matsumura	D13/182
D426,522 S	*	6/2000	Matsumura	D13/182
D432,504 S	*	10/2000	Matsumura	D13/182

OTHER PUBLICATIONS

www.photon-x.net, Photon-X 3521 Amplifier Module. site visited Jun. 11, 2002.*

Keopsys website, www.keopsys.com/oem.htm, downloaded Mar. 30, 2001.

SDL website, www.sdli.com, downloaded approximately Mar. 30, 2001.

JDS Uniphase website, www.jdsuniphase.com, downloaded approximately Mar. 30, 2001.

* cited by examiner

Primary Examiner—Jeffrey Asch

(74) *Attorney, Agent, or Firm*—Joseph E. Maenner

(57) **CLAIM**

The ornamental design for an optical amplifier, as shown and described.

DESCRIPTION

FIG. 1 is a perspective view of an optical amplifier in accordance with my new design.

FIG. 2 is a top view of the optical amplifier shown in FIG. 1.

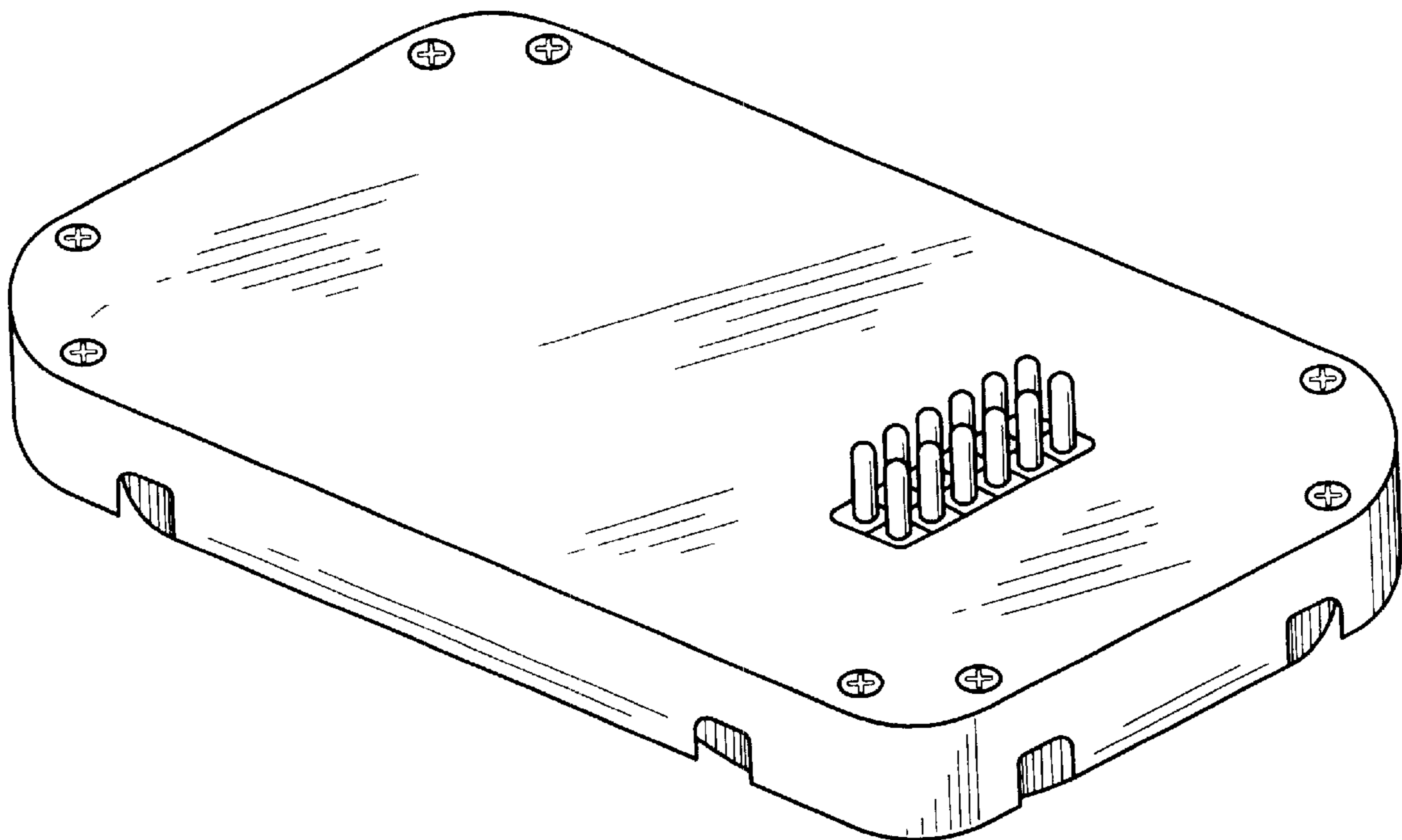
FIG. 3 is a bottom view of the optical amplifier shown in FIG. 1.

FIG. 4 is a first end view of the optical amplifier shown in FIG. 1, a second end view being identical.

FIG. 5 is a left side view of the optical amplifier shown in FIG. 1; and,

FIG. 6 is a right side view of the optical amplifier shown in FIG. 1.

1 Claim, 3 Drawing Sheets



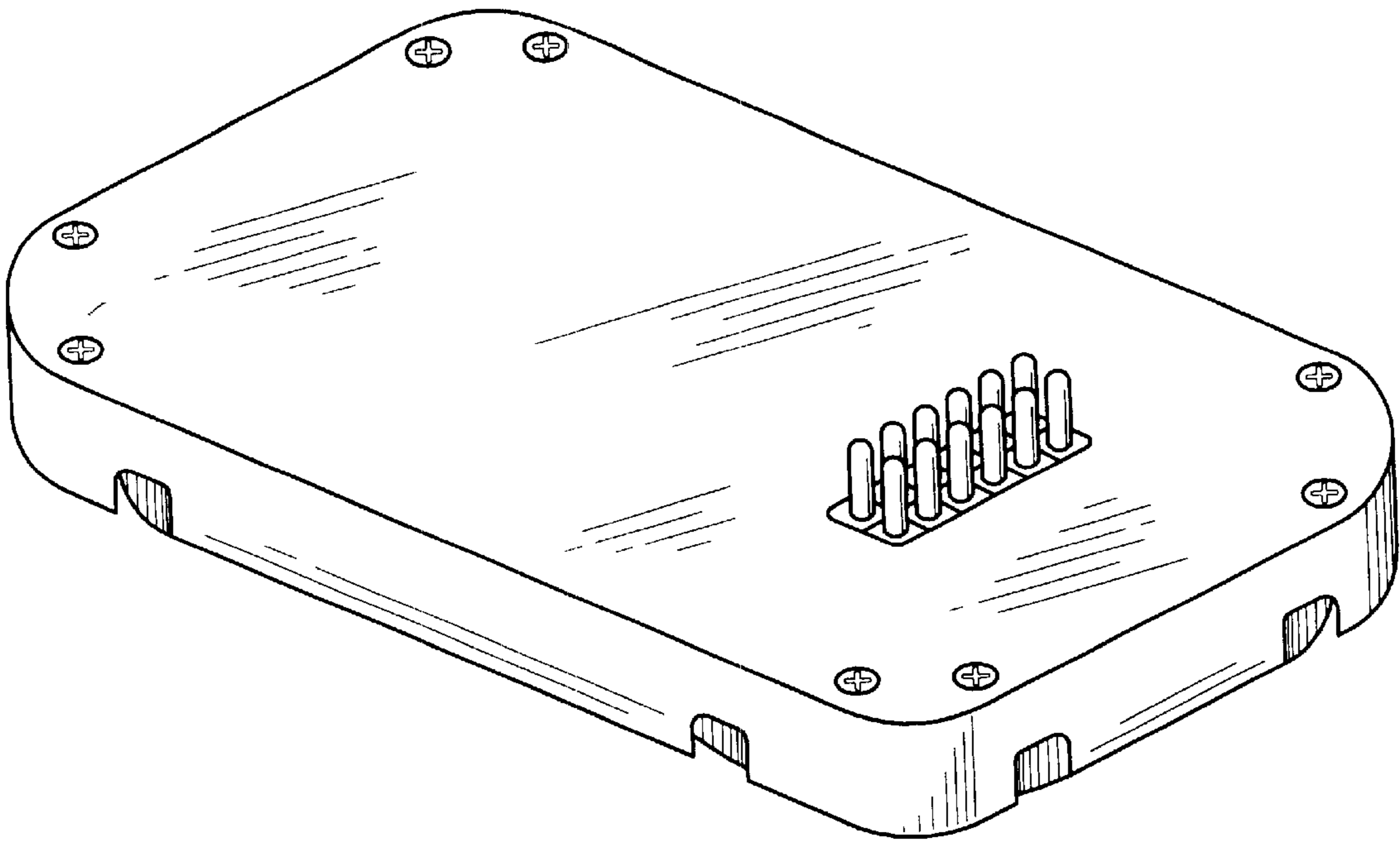


Fig-1

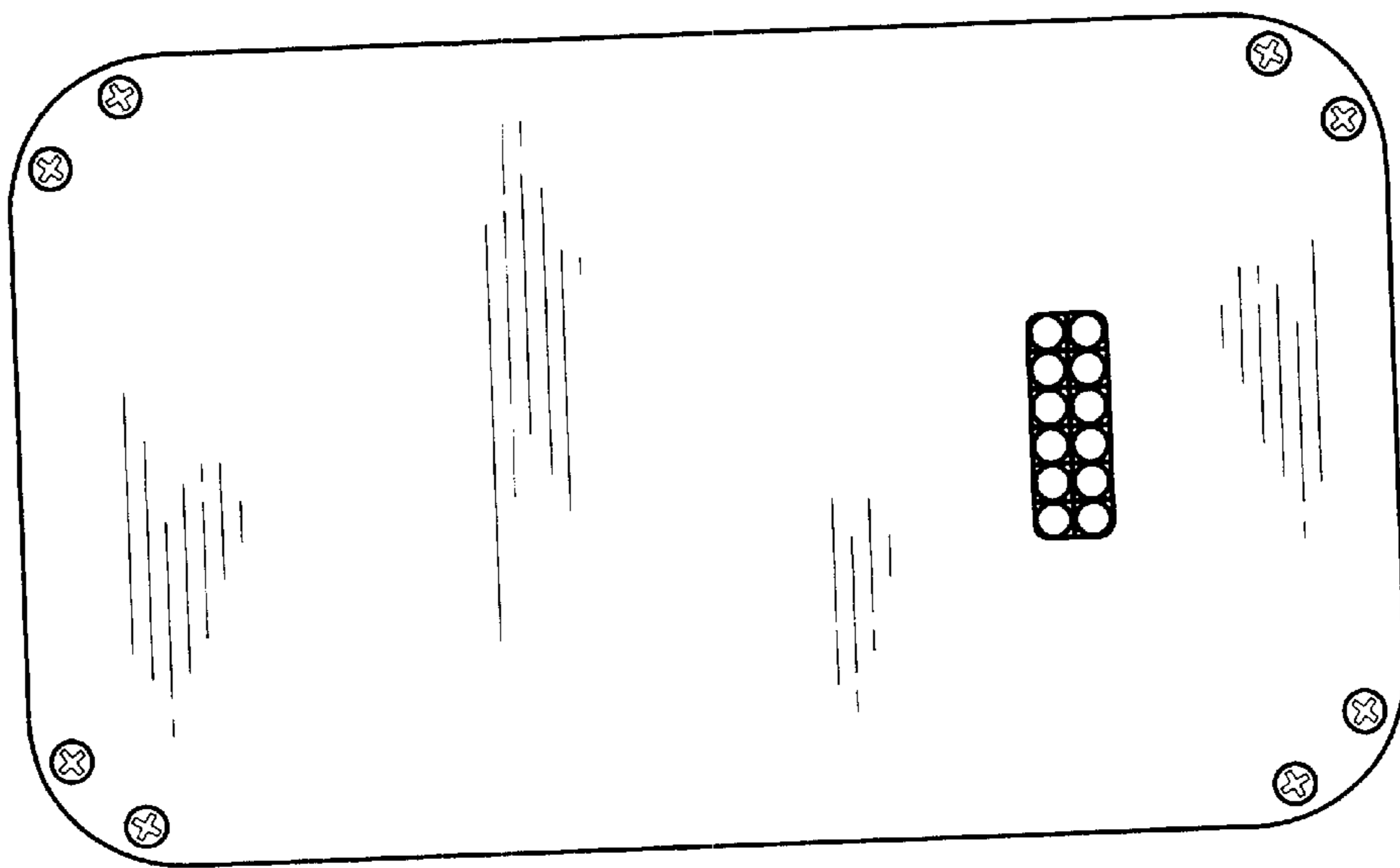


Fig-2

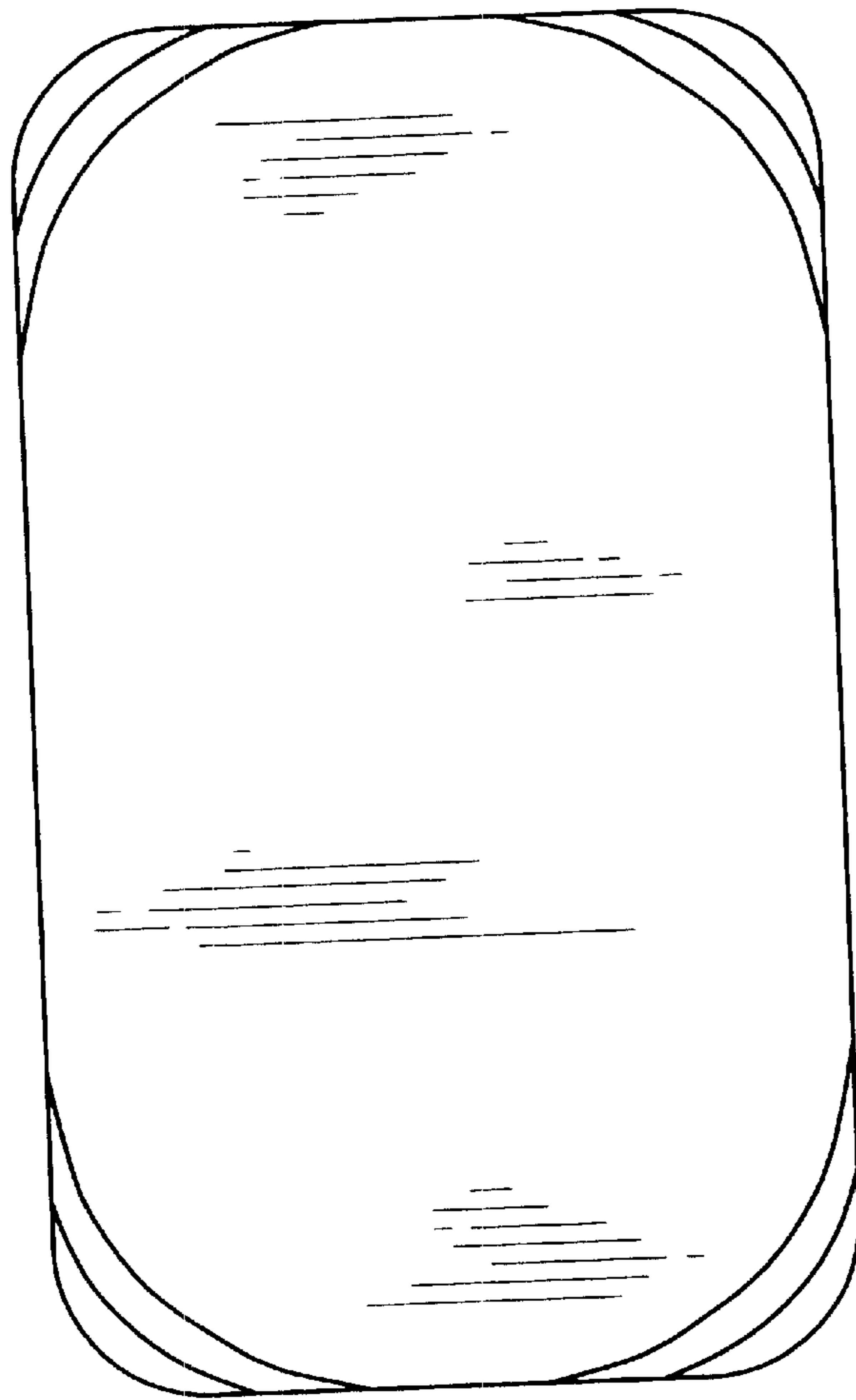


Fig-3

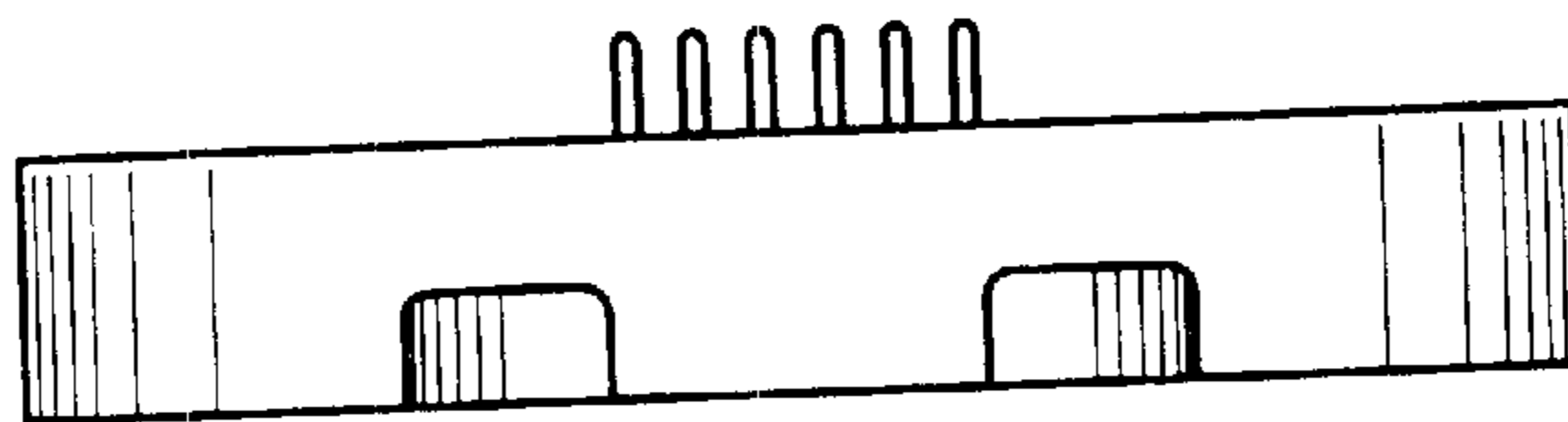


Fig-4

Fig-5

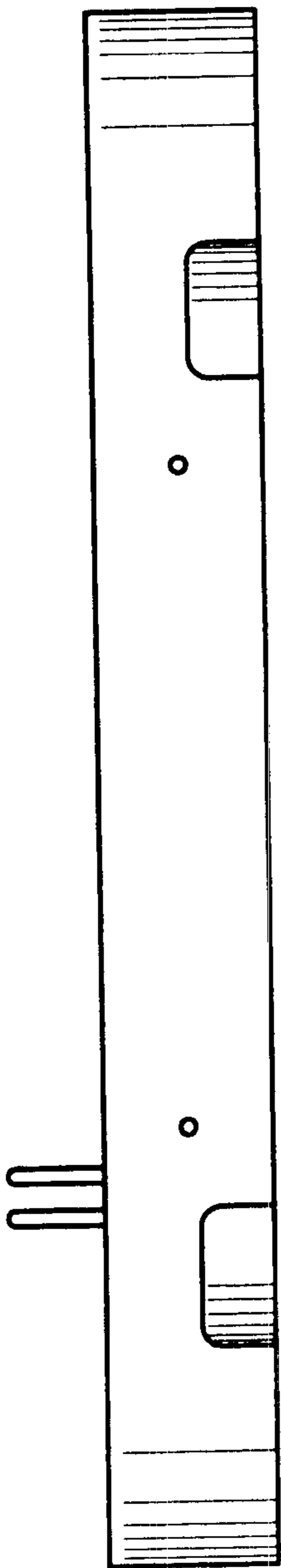


Fig-6

