



US00D463413S

(12) **United States Design Patent**
Harris

(10) **Patent No.:** **US D463,413 S**

(45) **Date of Patent:** **** Sep. 24, 2002**

(54) **FACEPLATE**
(75) **Inventor:** **Mark A. Harris**, Elk Grove Village, IL (US)
(73) **Assignee:** **General Instrument Corporation**, Horsham, PA (US)
(**) **Term:** **14 Years**

(21) **Appl. No.:** **29/141,724**
(22) **Filed:** **May 11, 2001**

(51) **LOC (7) Cl.** **14-03**
(52) **U.S. Cl.** **D14/240; D14/257**
(58) **Field of Search** D14/137, 240, D14/138, 242, 308, 356, 357, 358, 311, 313, 441, 144, 348-355, 370, 341-347, 125, 432, 433, 155, 299, 257, 439, 140, 188, 230, 241, 243, 245; 379/433.01-433.13, 419, 434, 428.01-428.04, 420.01-420.04, 440, 441, 442; 455/550-575, 90; D13/184, 123, 152, 147, 110

(56) **References Cited**
U.S. PATENT DOCUMENTS
D277,100 S * 1/1985 Matsuda et al. D14/257
D325,194 S * 4/1992 Kline et al. D14/354
D341,570 S * 11/1993 Brandt et al. D14/354
D346,606 S * 5/1994 Harris et al. D14/242
D347,212 S * 5/1994 Riley D14/355
D354,737 S * 1/1995 Fladung D13/164
D368,905 S * 4/1996 Otani D14/125
D374,439 S * 10/1996 Paterson et al. D14/444
D381,637 S * 7/1997 Haider et al. D13/184

D390,217 S * 2/1998 Prstojevich et al. D14/125
D393,644 S * 4/1998 Cho et al. D14/240
D398,582 S * 9/1998 Fryers D13/147
D404,017 S * 1/1999 Grimm et al. D13/184
D405,799 S * 2/1999 Ino D14/240
D412,327 S * 7/1999 Curbbun et al. D14/496
D416,562 S * 11/1999 Larson et al. D14/242
D417,865 S * 12/1999 Wilson, Sr. et al. D14/441
D441,758 S * 5/2001 Weisz et al. D14/441
D447,134 S * 8/2001 Kiai D14/257
D452,241 S * 12/2001 Kitajima et al. D14/358

* cited by examiner

Primary Examiner—Jeffrey Asch
(74) *Attorney, Agent, or Firm*—Volpe & Koenig, P.C.

(57) **CLAIM**

The ornamental design for a faceplate, as shown and described.

DESCRIPTION

FIG. 1 is a perspective view of a faceplate according to my new design;
FIG. 2 is a left-side elevational view of the faceplate of FIG. 1;
FIG. 3 is a right-side elevational view of the faceplate of FIG. 1;
FIG. 4 is a front elevational view of the faceplate of FIG. 1;
FIG. 5 is a rear elevational view of the faceplate of FIG. 1;
FIG. 6 is a top plan view of the faceplate of FIG. 1; and,
FIG. 7 is a bottom plan view of the faceplate of FIG. 1.
The phantom lines represent environmental features that do not constitute a part of the claimed design.

1 Claim, 4 Drawing Sheets

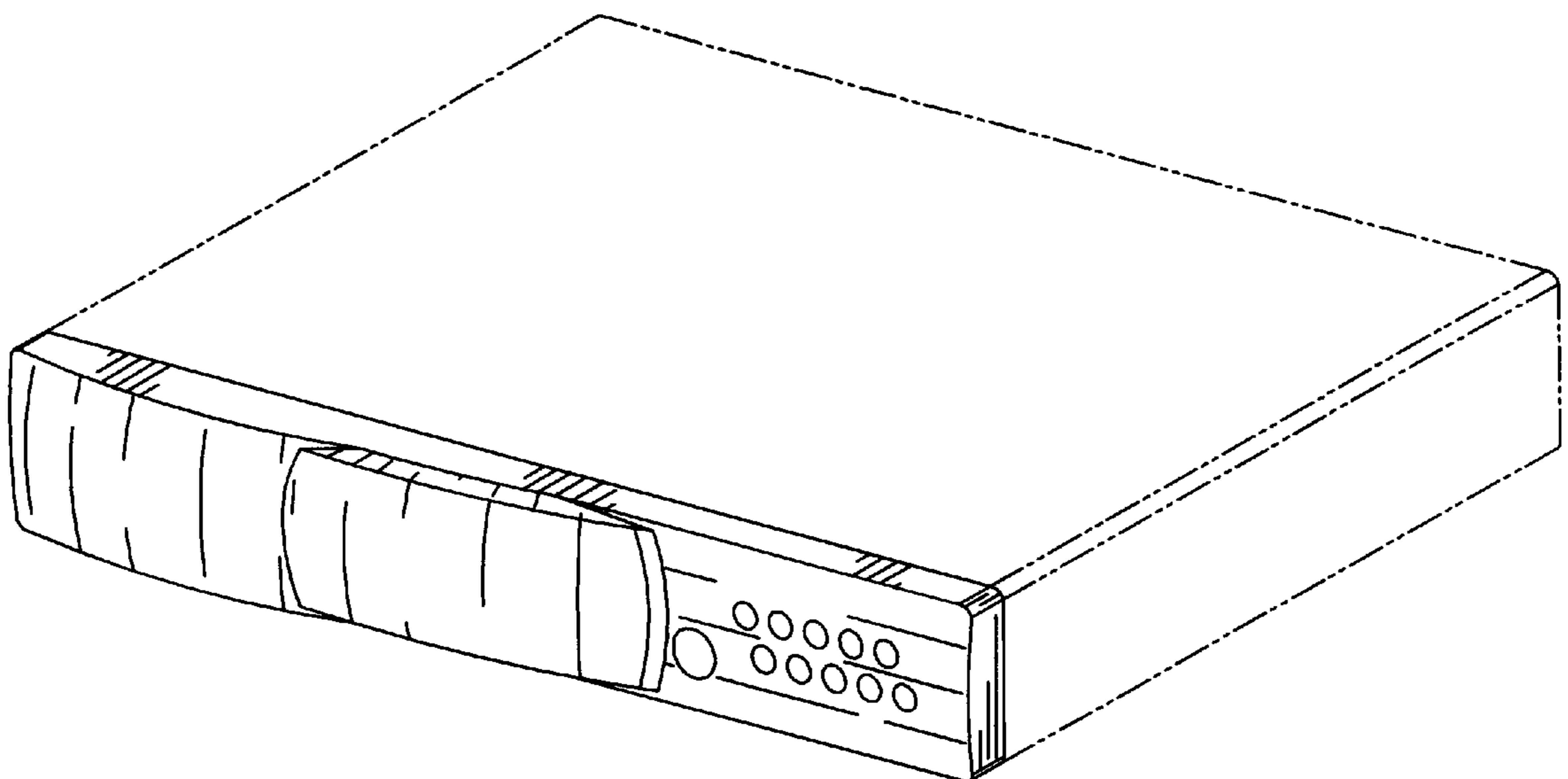


FIG. 1

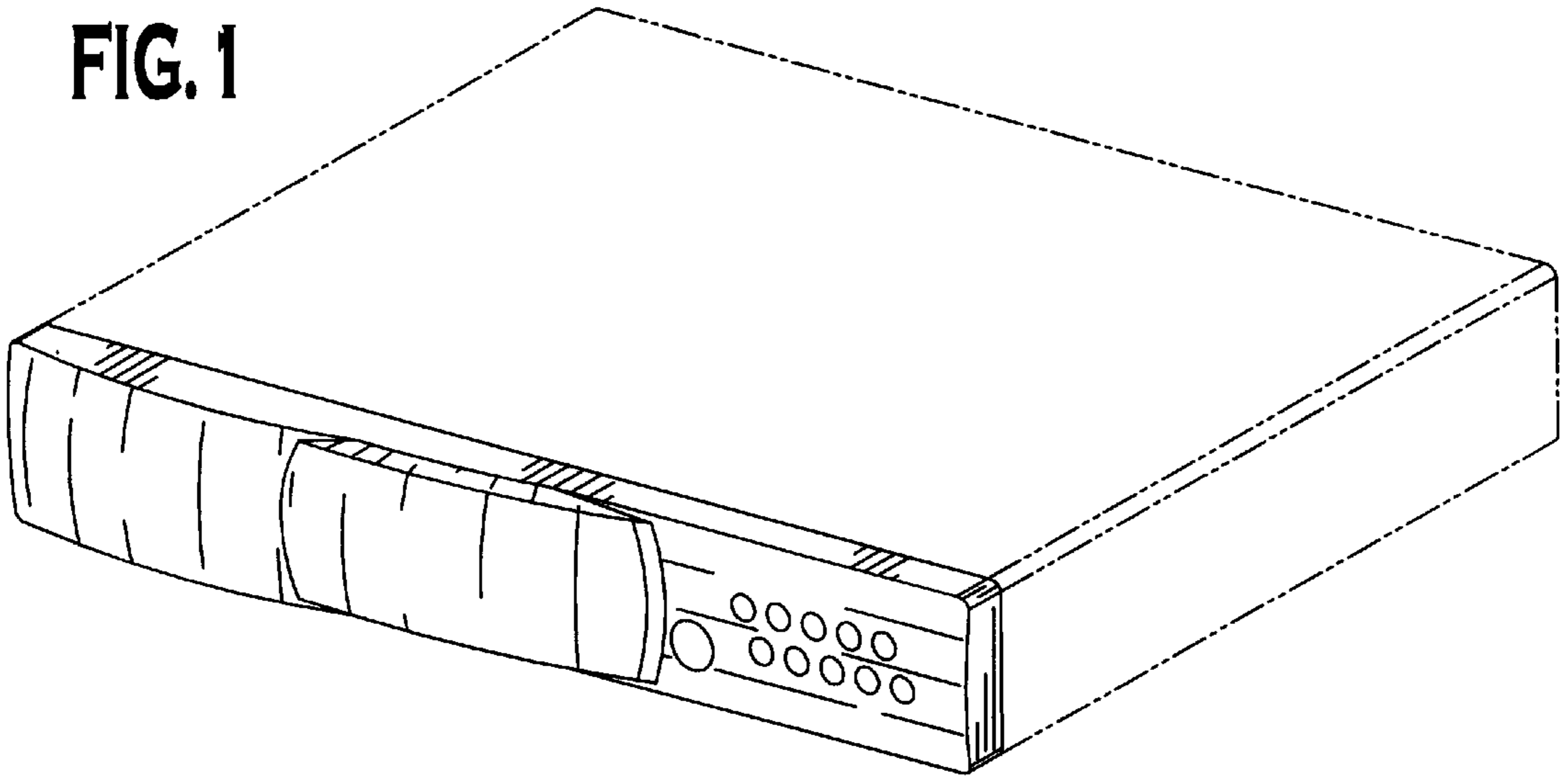
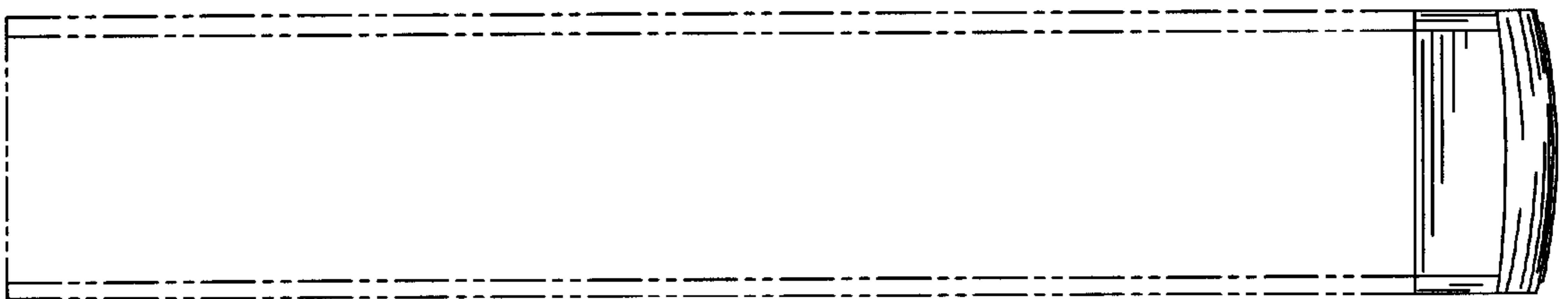


FIG. 2



FIG. 3



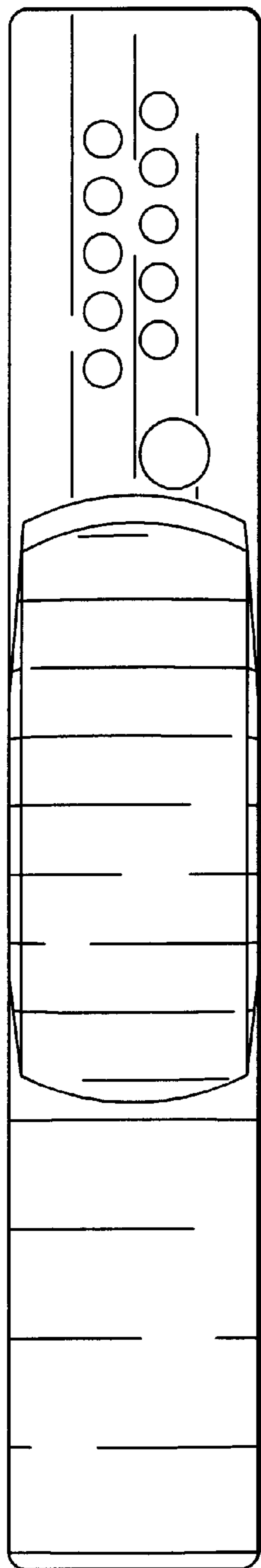


FIG. 4

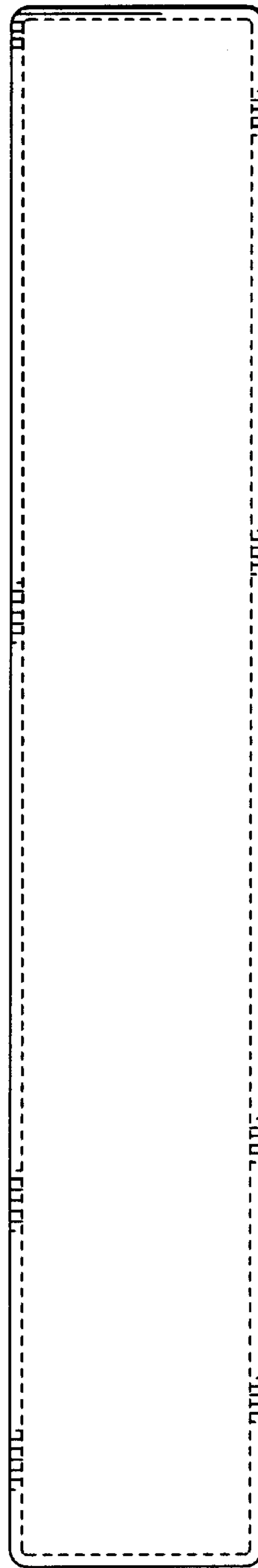


FIG. 5

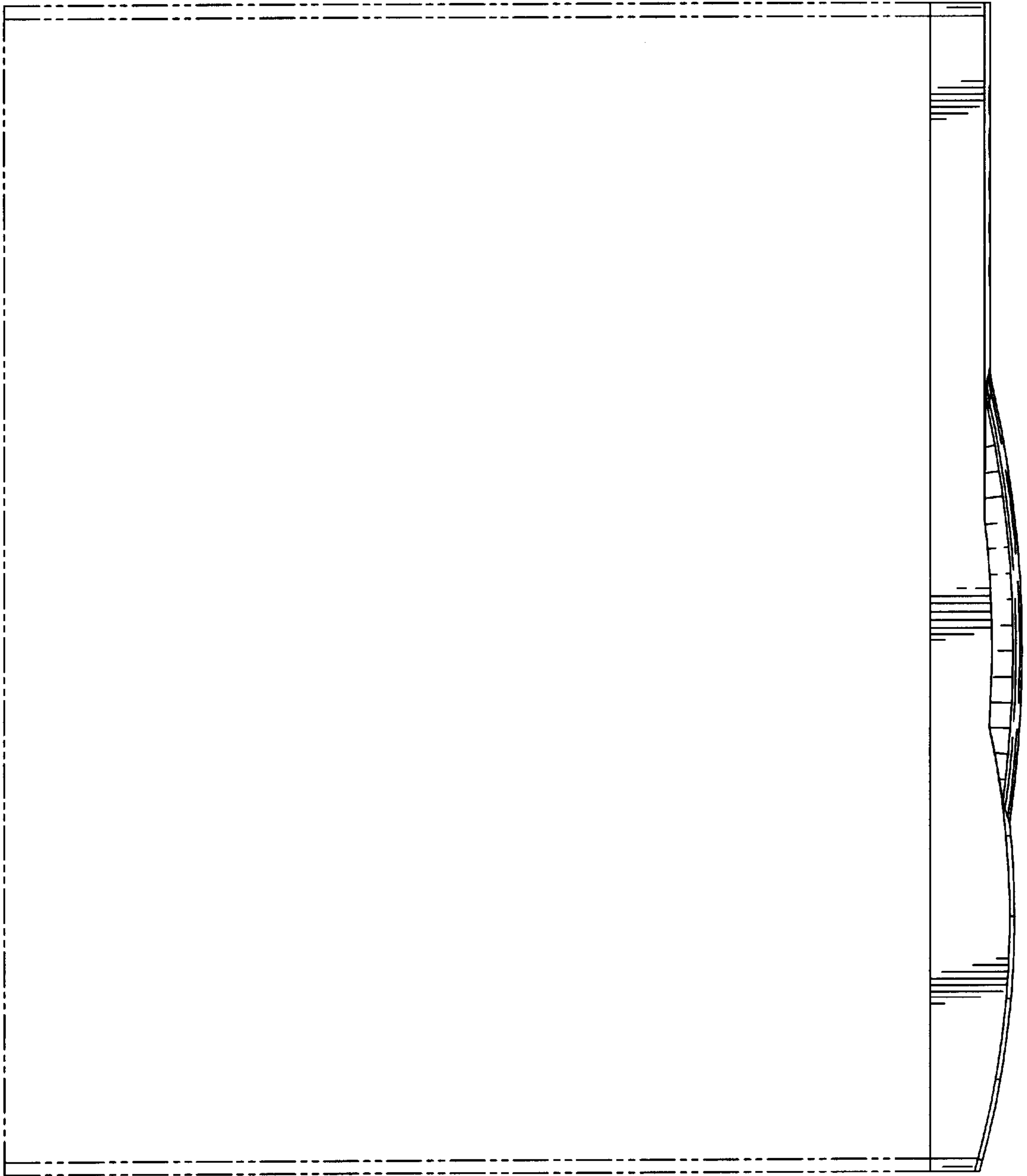


FIG. 6

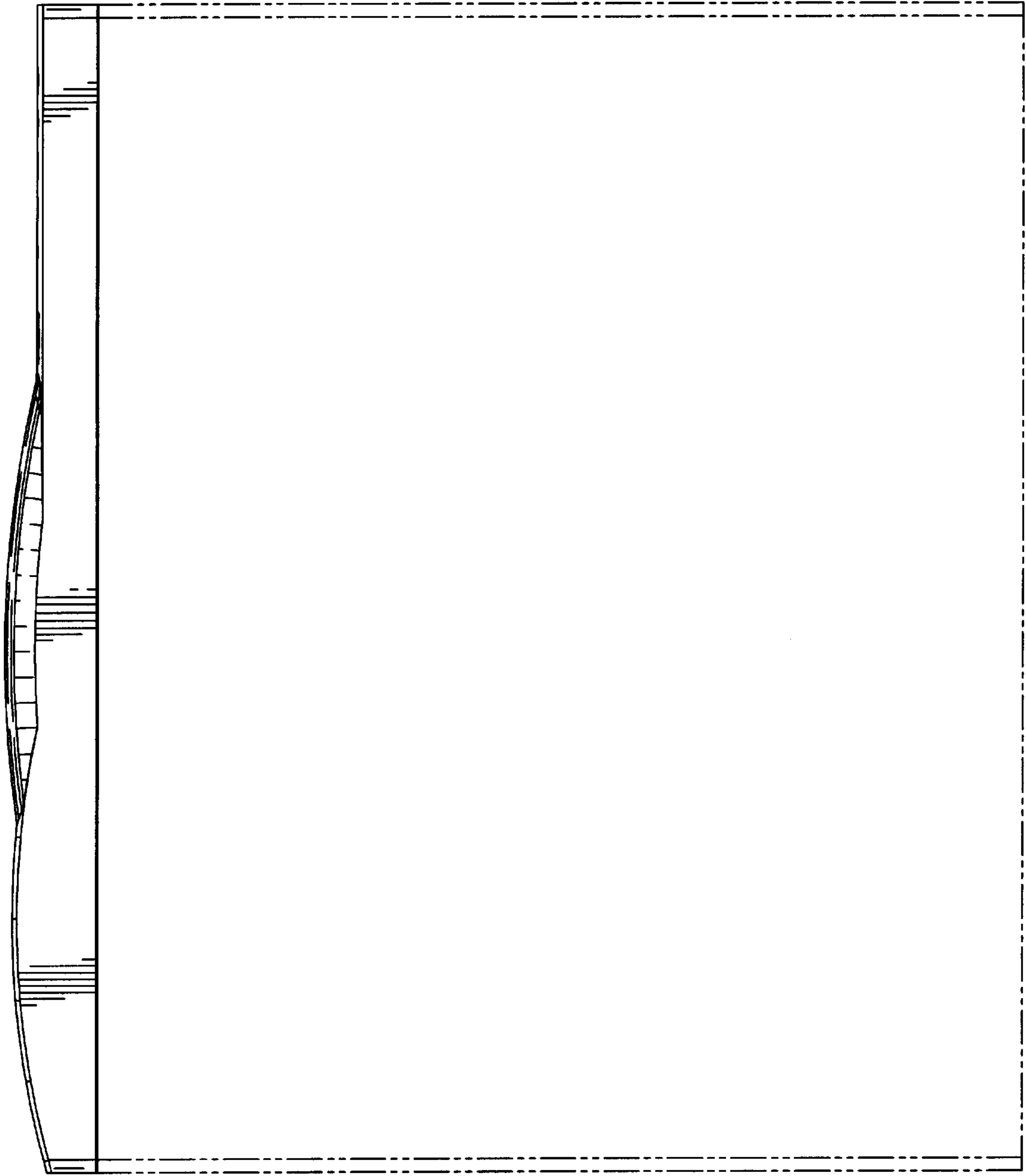


FIG. 7