

US00D463410S

(12) **United States Design Patent**  
**Strand et al.**

(10) **Patent No.:** **US D463,410 S**

(45) **Date of Patent:** **\*\* Sep. 24, 2002**

(54) **APPARATUS FOR A WIRELESS NETWORK CONNECTION**

(75) Inventors: **Oscar Strand, Malmö (SE); Morten Bergstrom, Lund (SE)**

(73) Assignee: **Axis AB, Lund (SE)**

(\*\*) Term: **14 Years**

(21) Appl. No.: **29/130,991**

(22) Filed: **Oct. 11, 2000**

(30) **Foreign Application Priority Data**

Apr. 14, 2000 (SE) ..... 00-0742

(51) **LOC (7) Cl.** ..... **14-03**

(52) **U.S. Cl.** ..... **D14/240**

(58) **Field of Search** ..... D14/137, 240, D14/138, 242, 308, 311, 313, 441, 144, 348-355, 370, 341-347, 125, 432, 433, 155, 299, 257, 439, 140, 188, 230, 241, 243, 245, 356, 357, 358; 379/433.01-433.13, 419, 434, 428.01-428.04, 420.01-420.04, 440, 441, 442; 455/550-575, 90; D13/184, 123, 152, 147, 110

(56) **References Cited**

**U.S. PATENT DOCUMENTS**

- D230,487 S \* 2/1974 Dawson et al. .... D14/242
- D359,287 S \* 6/1995 Heberling et al. .... D14/242
- D368,721 S \* 4/1996 Howell et al. .... D14/240
- D375,297 S 11/1996 Casarez et al.
- D384,672 S \* 10/1997 Heberling ..... D14/242
- D390,553 S \* 2/1998 Beaumont et al. .... D14/137
- D398,920 S \* 9/1998 Yen ..... D14/125
- D418,839 S 1/2000 Brunner et al.
- D418,843 S \* 1/2000 Schechtel et al. .... D14/242
- D419,988 S 1/2000 Brunner et al.

- D420,362 S \* 2/2000 Pedraza et al. .... D14/242
- D425,021 S \* 5/2000 Ko ..... D13/123
- D428,876 S \* 8/2000 Renkis ..... D14/230
- D434,374 S \* 11/2000 Ko ..... D13/123
- D434,747 S \* 12/2000 Bird et al. .... D14/150
- D435,044 S \* 12/2000 Oviatt et al. .... D14/356
- D436,109 S \* 1/2001 Tong et al. .... D14/434
- D436,919 S \* 1/2001 Wakefield et al. .... D13/110
- D437,592 S \* 2/2001 DeLeon ..... D14/242
- D448,026 S \* 9/2001 Nicklos et al. .... D14/353
- D448,365 S \* 9/2001 Kerestegian et al. .... D14/240
- D448,384 S \* 9/2001 Adriaansen et al. .... D14/433
- D448,754 S \* 10/2001 Chang ..... D14/217

**OTHER PUBLICATIONS**

Axis 9010 Access Point, www.axis.com, Mar. 19, 2002.\*

\* cited by examiner

*Primary Examiner*—Jeffrey Asch

(74) *Attorney, Agent, or Firm*—Cary & Kelly, LLP; Charles C. Cary

(57) **CLAIM**

The ornamental design for an apparatus for a wireless network connection, as shown and described.

**DESCRIPTION**

FIG. 1 is a perspective view as seen from the upper left and front of an apparatus for a wireless network connection showing our new design;

FIG. 2 is a perspective view as seen from the lower right and rear thereof;

FIG. 3 is a front elevational view thereof;

FIG. 4 is a right side elevational view thereof;

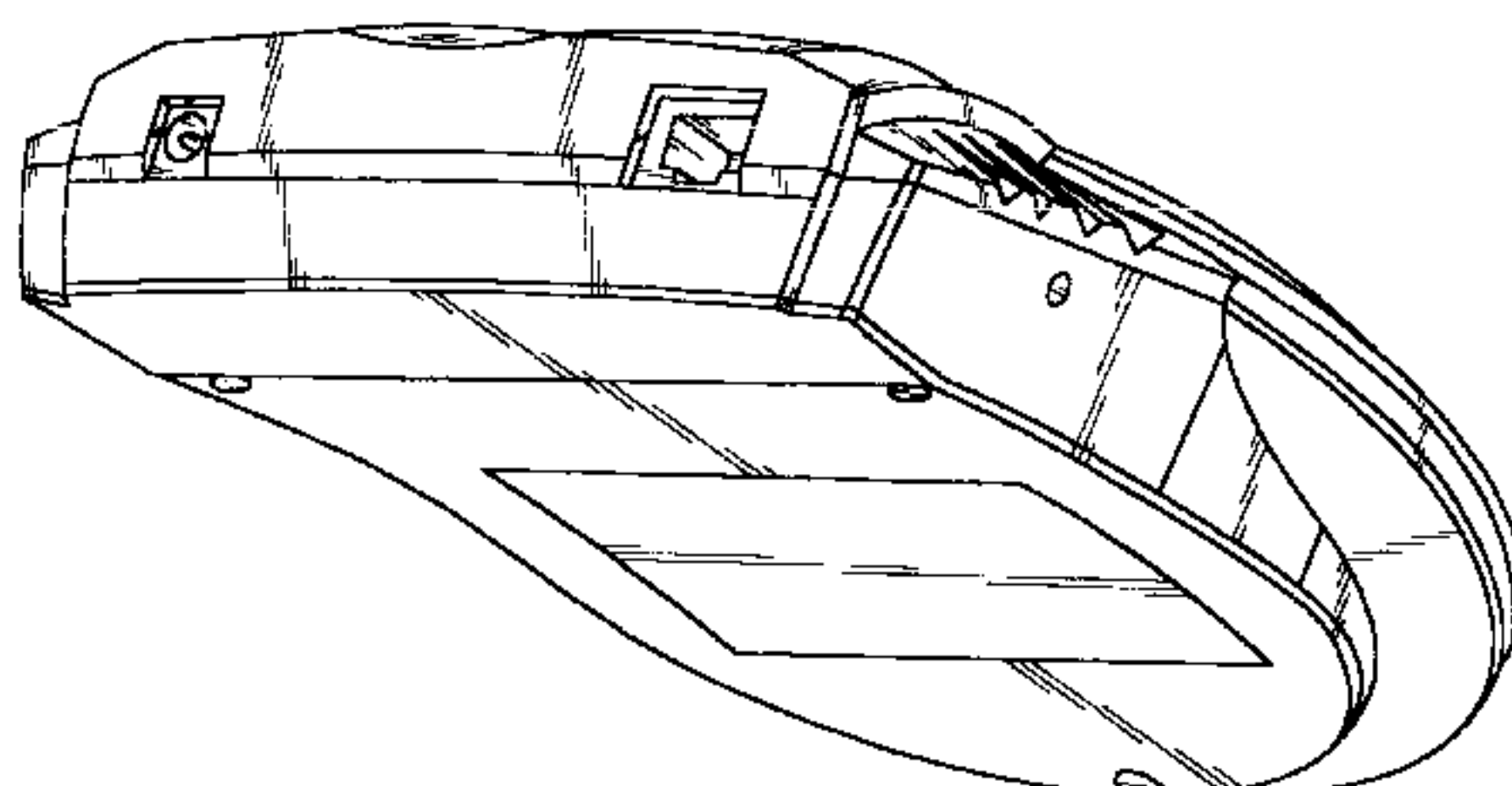
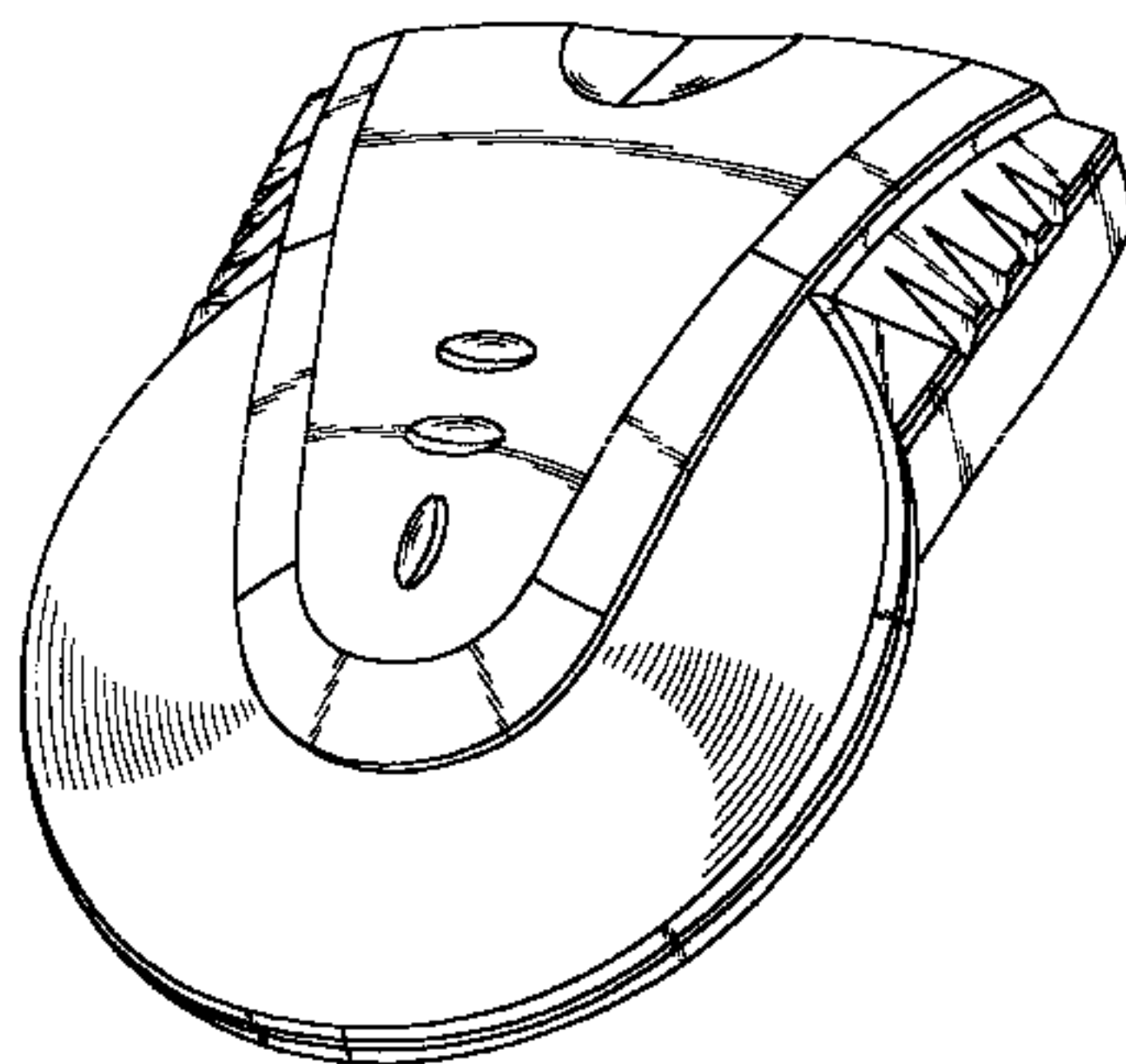
FIG. 5 is a rear side elevational view thereof;

FIG. 6 is a left side elevational view thereof;

FIG. 7 is a top plan view thereof; and,

FIG. 8 is a bottom plan view thereof.

**1 Claim, 8 Drawing Sheets**



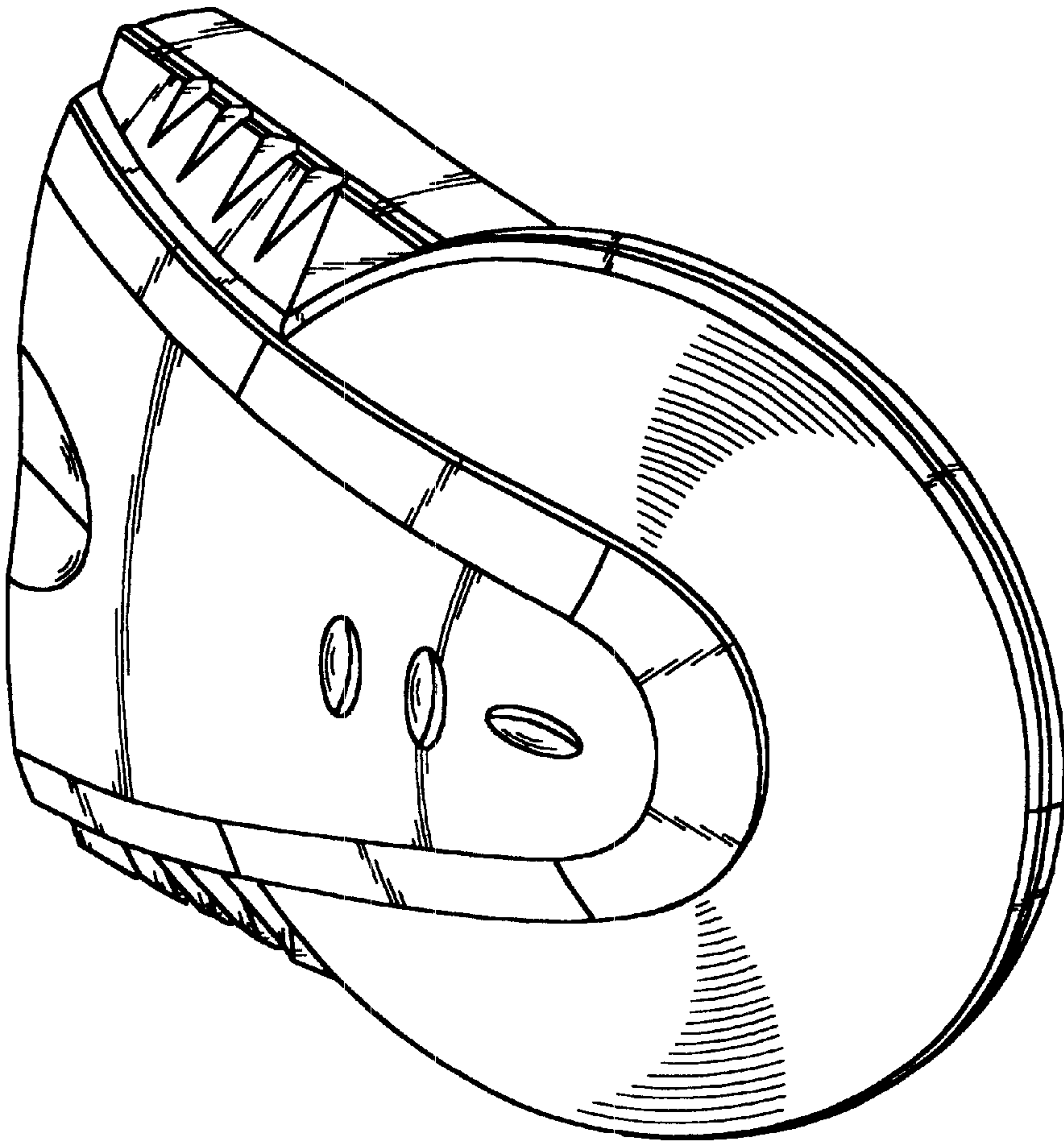


Fig. 1

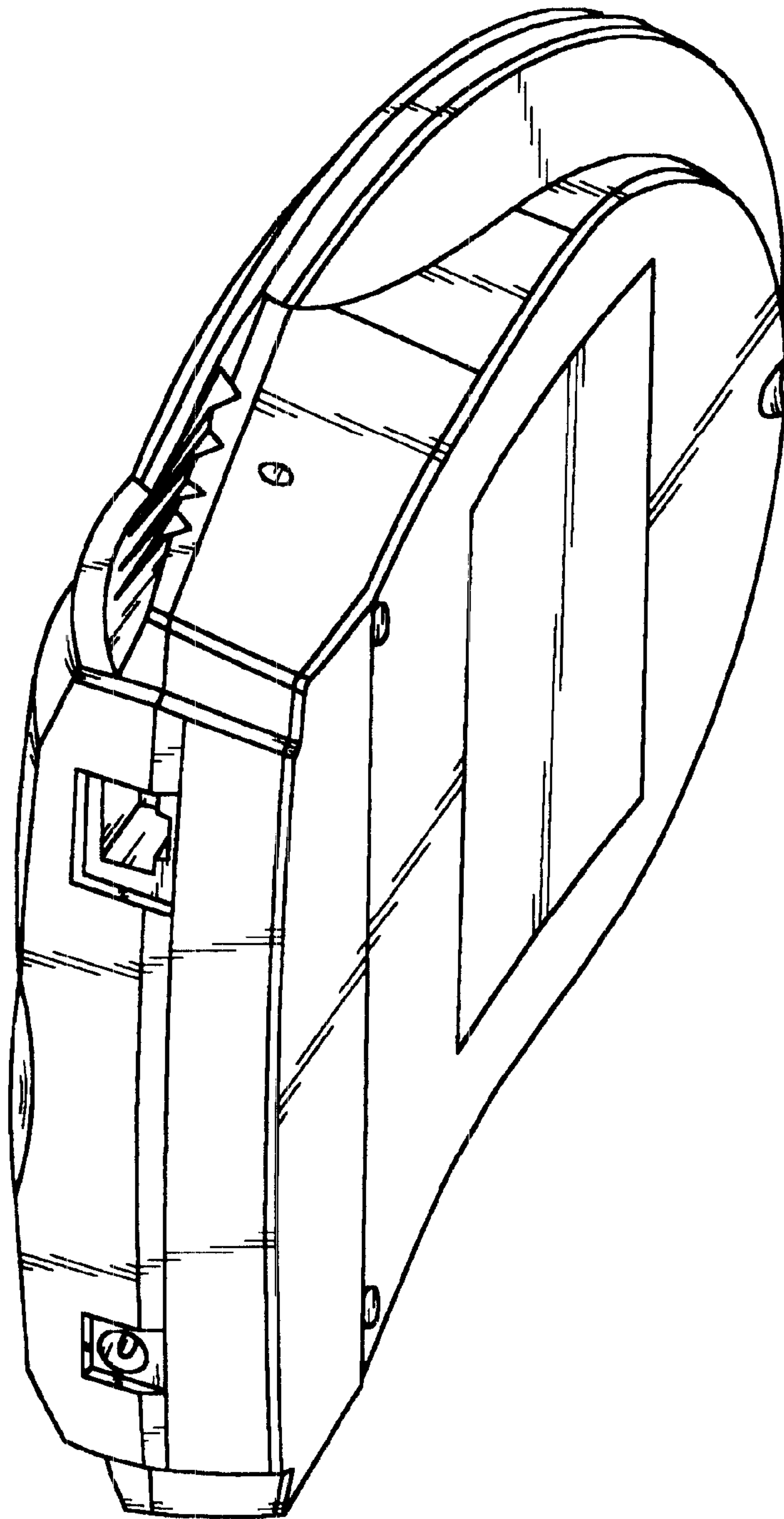


Fig. 2

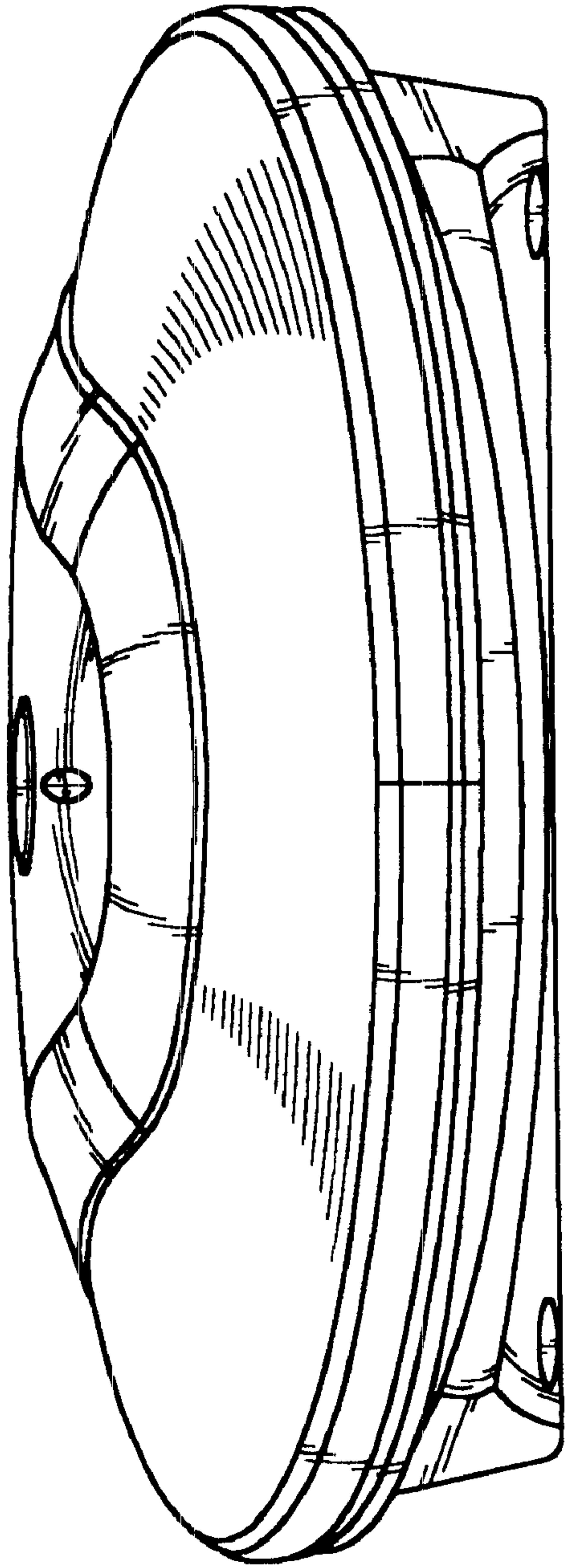


Fig. 3

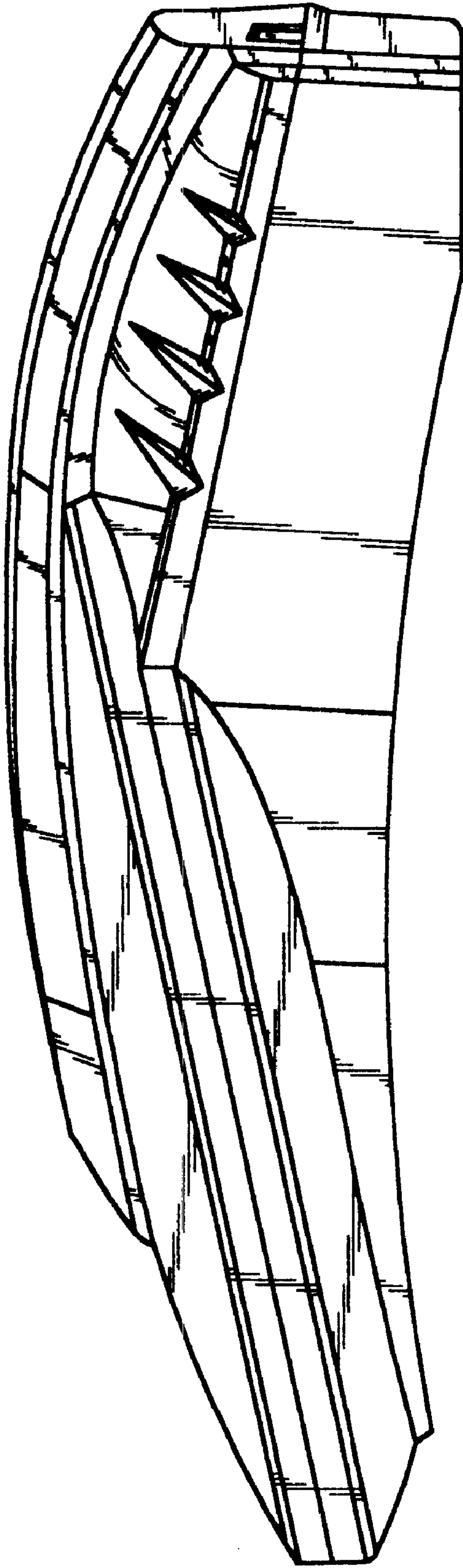


Fig. 4



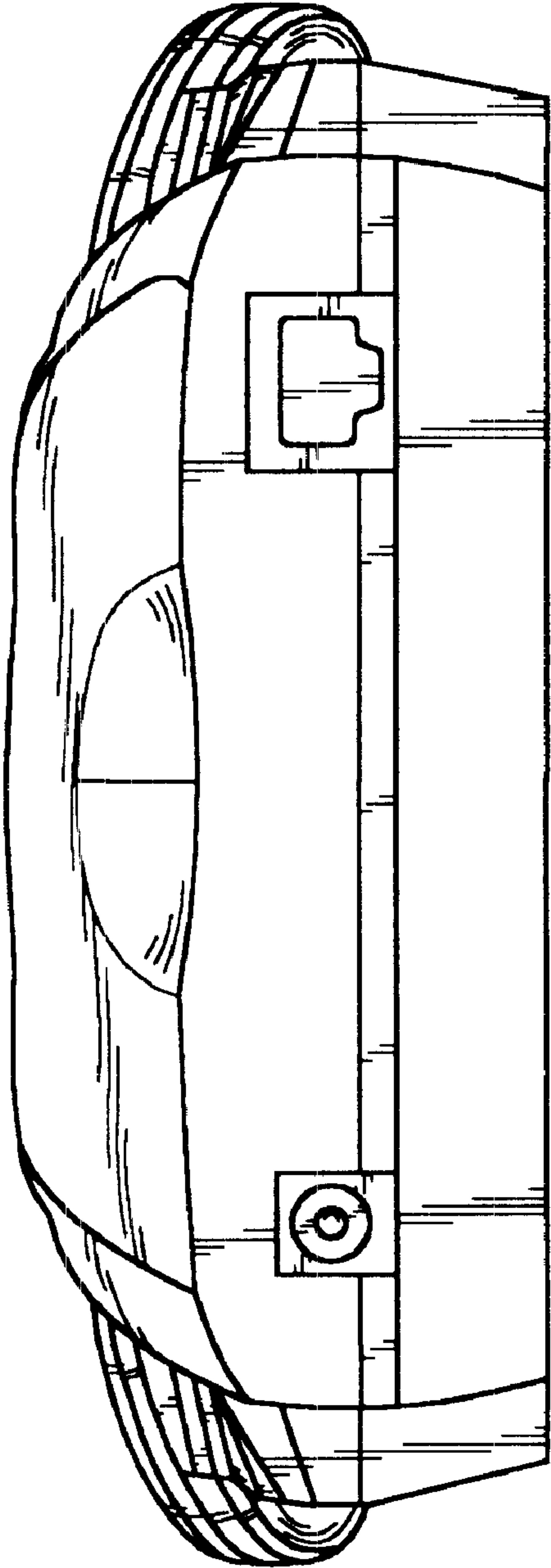


Fig. 5

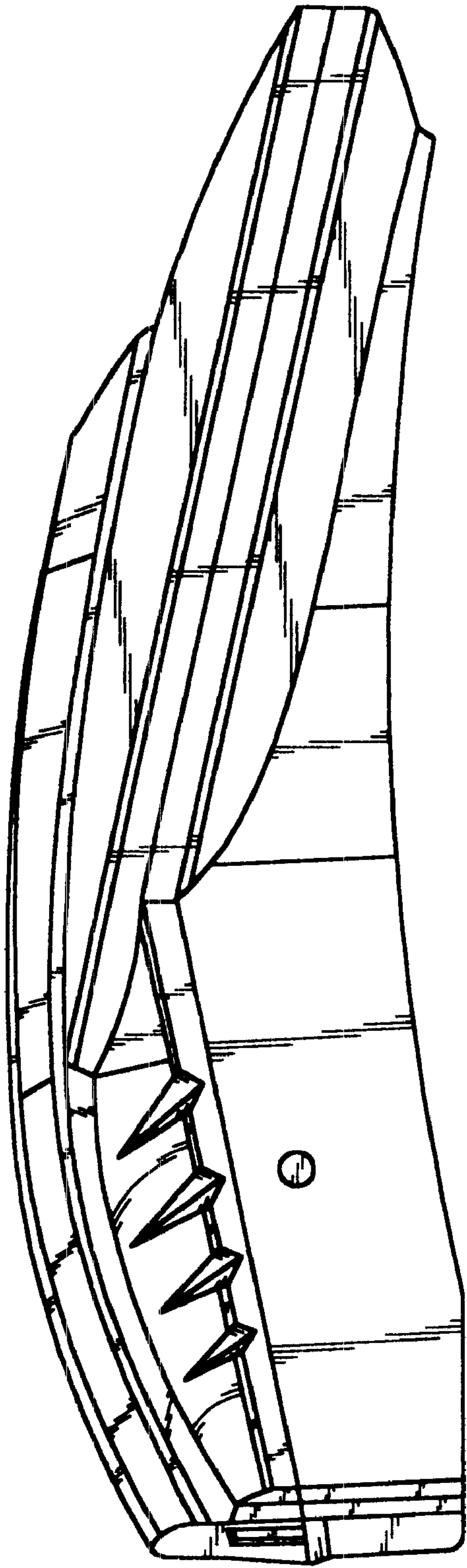


Fig. 6

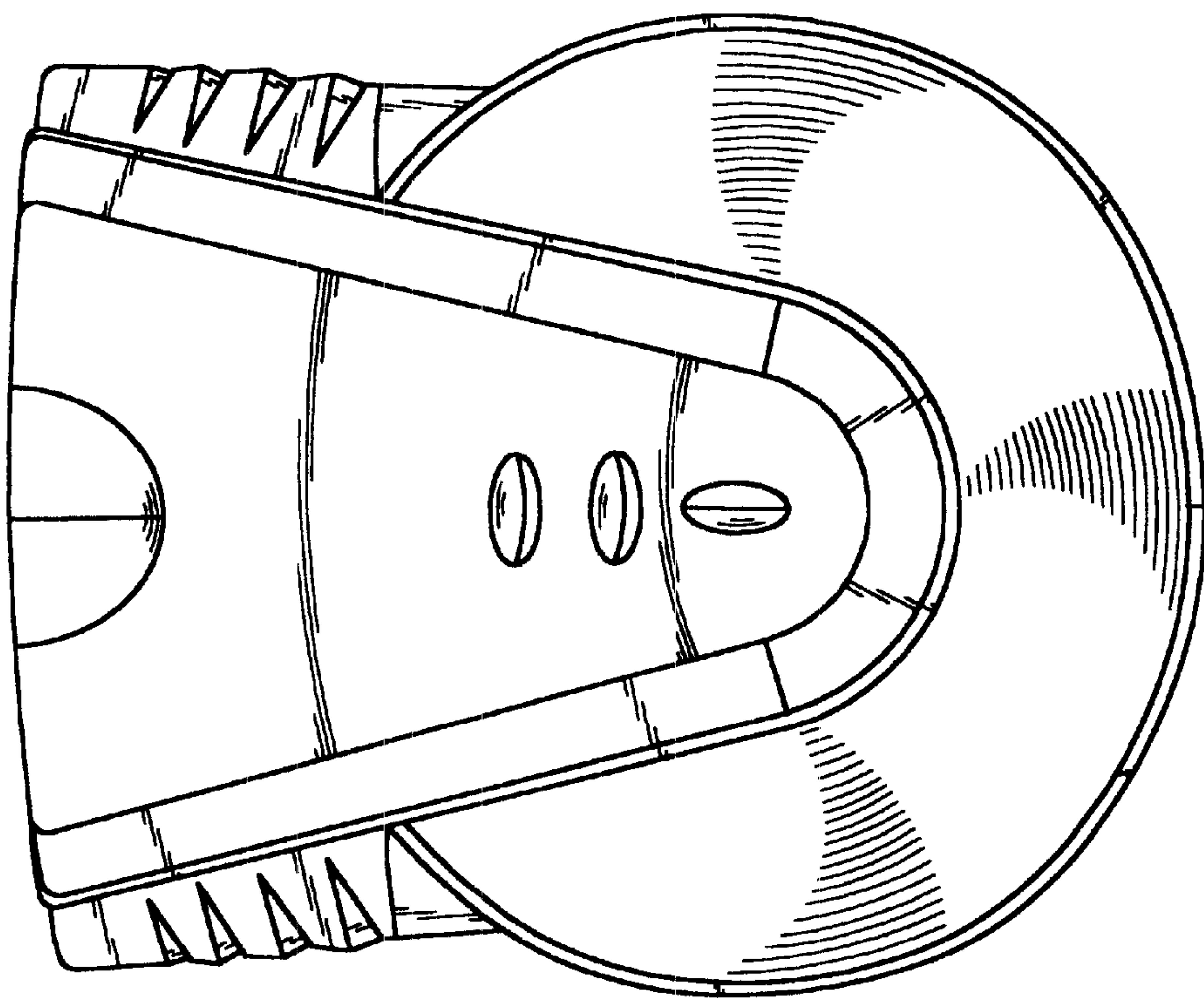


Fig. 7



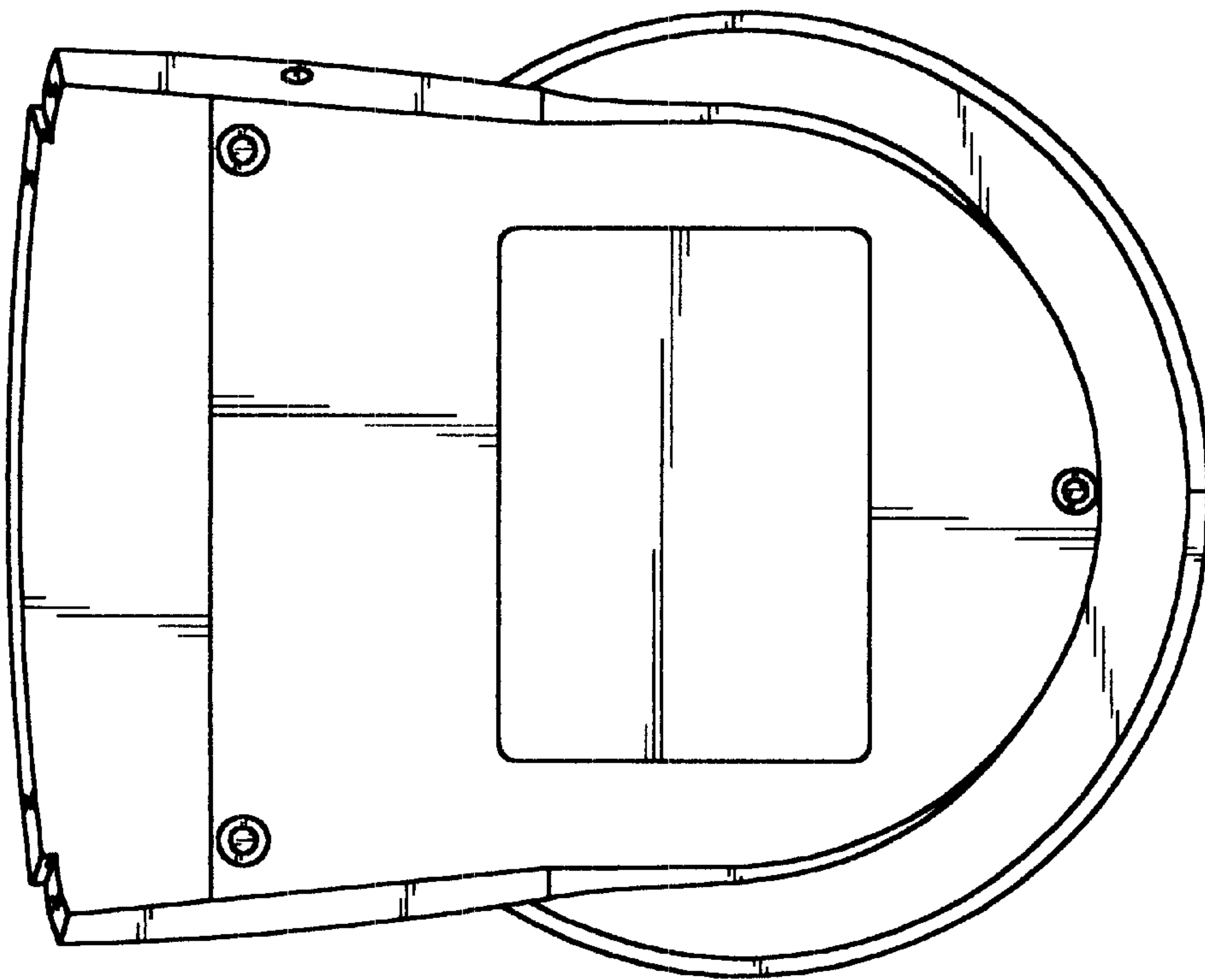


Fig. 8