



US00D463407S

(12) **United States Design Patent**
Ballard et al.

(10) **Patent No.: US D463,407 S**

(45) **Date of Patent: ** Sep. 24, 2002**

(54) **SPEAKER**

D428,846 S 8/2000 Yoshida et al.

(75) Inventors: **Keith A. Ballard**, Ellicott City, MD (US); **Marco Cattaneo**, Pavis (IT); **John D. Crisco**, Ellicott City, MD (US); **Dave A. Fitzpatrick**, Bel Air, MD (US); **Robert E. Limbaugh**, Freeland, MD (US)

* cited by examiner

Primary Examiner—Nanda Bondade

(74) *Attorney, Agent, or Firm*—Sterne, Kessler, Goldstein & Fox P.L.L.C.

(73) Assignee: **Britannia Investment Corporation**, San Diego, CA (US)

(57) **CLAIM**

The ornamental design for a speaker, as shown and described.

(**) Term: **14 Years**

DESCRIPTION

(21) Appl. No.: **29/145,272**

(22) Filed: **Jul. 20, 2001**

Related U.S. Application Data

(62) Division of application No. 29/114,318, filed on Nov. 22, 1999, now Pat. No. Des. 448,360.

(51) **LOC (7) Cl.** **14-01**

(52) **U.S. Cl.** **D14/224**

(58) **Field of Search** D14/209–216, D14/221, 222, 224; 181/143–148, 150, 153, 157, 171–174; 381/182, 300–302, 359, 361, 386, 395, 433

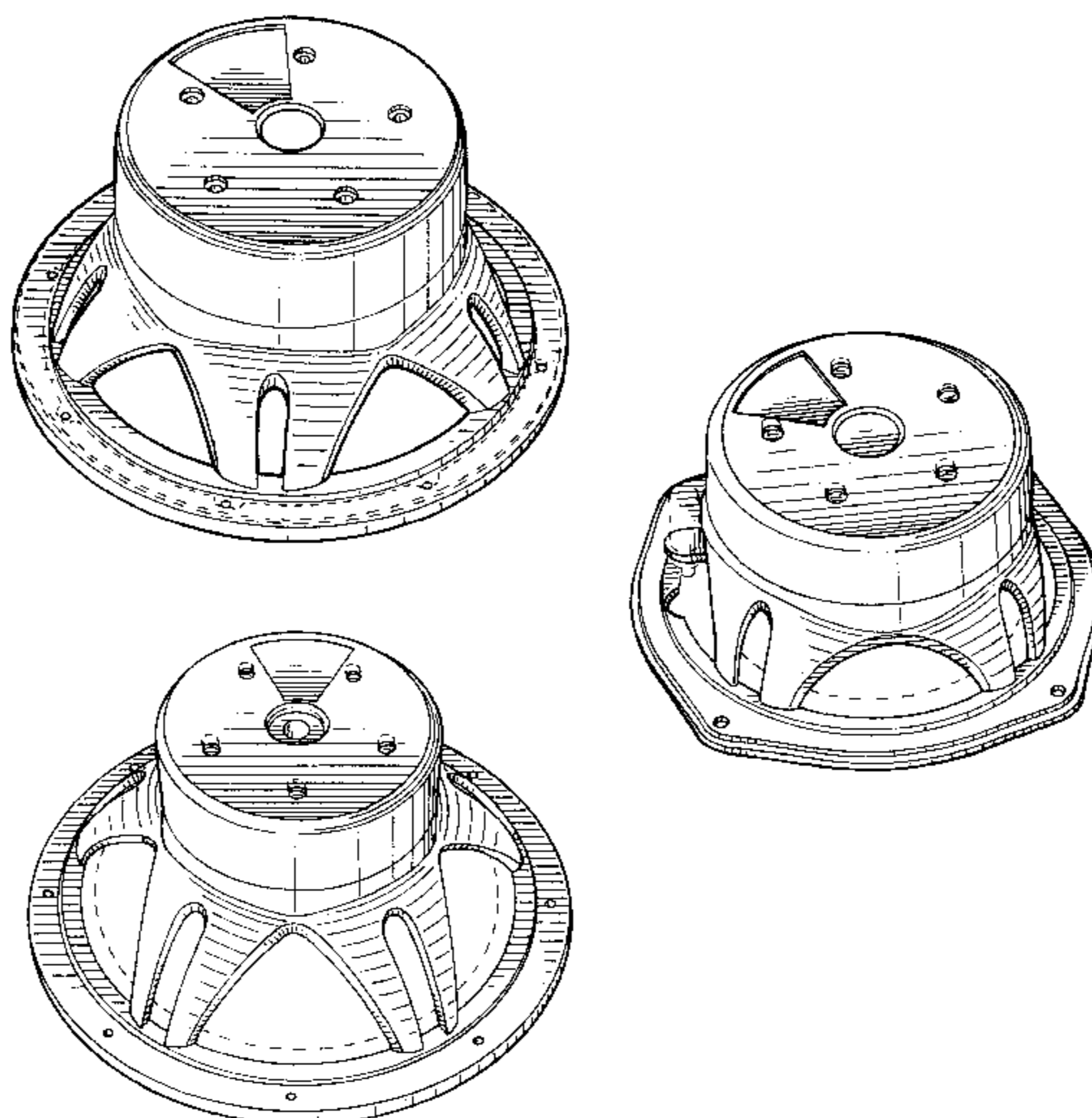
FIG. 1 is a front view of a speaker showing our new design; FIG. 2 is a right side view thereof; FIG. 3 is a left side view thereof; FIG. 4 is a rear view thereof; FIG. 5 is a bottom plan view thereof; FIG. 6 is a front, bottom perspective view thereof; FIG. 7 is a front view of a speaker showing the second embodiment of FIG. 1; FIG. 8 is a right side view thereof; FIG. 9 is a left side view thereof; FIG. 10 is a rear view thereof; FIG. 11 is a bottom plan view thereof; FIG. 12 is a front, bottom perspective view thereof; FIG. 13 is a front view of a speaker showing the third embodiment of FIG. 1; FIG. 14 is a right side view thereof; FIG. 15 is a left side view thereof; FIG. 16 is a rear view thereof; FIG. 17 is a bottom plan view thereof; FIG. 18 is a front, bottom perspective view thereof; FIG. 19 is a front view of a speaker showing the fourth embodiment of FIG. 1; FIG. 20 is a right side view thereof; FIG. 21 is a left side view thereof; FIG. 22 is a rear view thereof; FIG. 23 is a bottom plan view thereof; and, FIG. 24 is a front, bottom perspective view thereof. The broken lines showing a portion of a speaker component, wires, screw heads and bolts are for illustrative purposes only and form no part of the claimed design.

(56) **References Cited**

U.S. PATENT DOCUMENTS

D130,357 S	11/1941	O'Connor et al.	
D186,670 S	11/1959	Durbin	
D197,716 S	* 3/1964	Boldt et al.	D14/216
3,356,796 A	12/1967	Wray	
D265,556 S	7/1982	Iijima	
D266,420 S	* 10/1982	Warner	D14/222
D270,533 S	9/1983	Piercy	
D282,065 S	1/1986	Piercy	
D318,671 S	7/1991	Naumann	
D396,723 S	8/1998	Leibzon	
D398,573 S	9/1998	Cattaneo	
D416,223 S	11/1999	Carter	
D416,262 S	11/1999	Petronio et al.	
D428,844 S	8/2000	Wang	

1 Claim, 12 Drawing Sheets



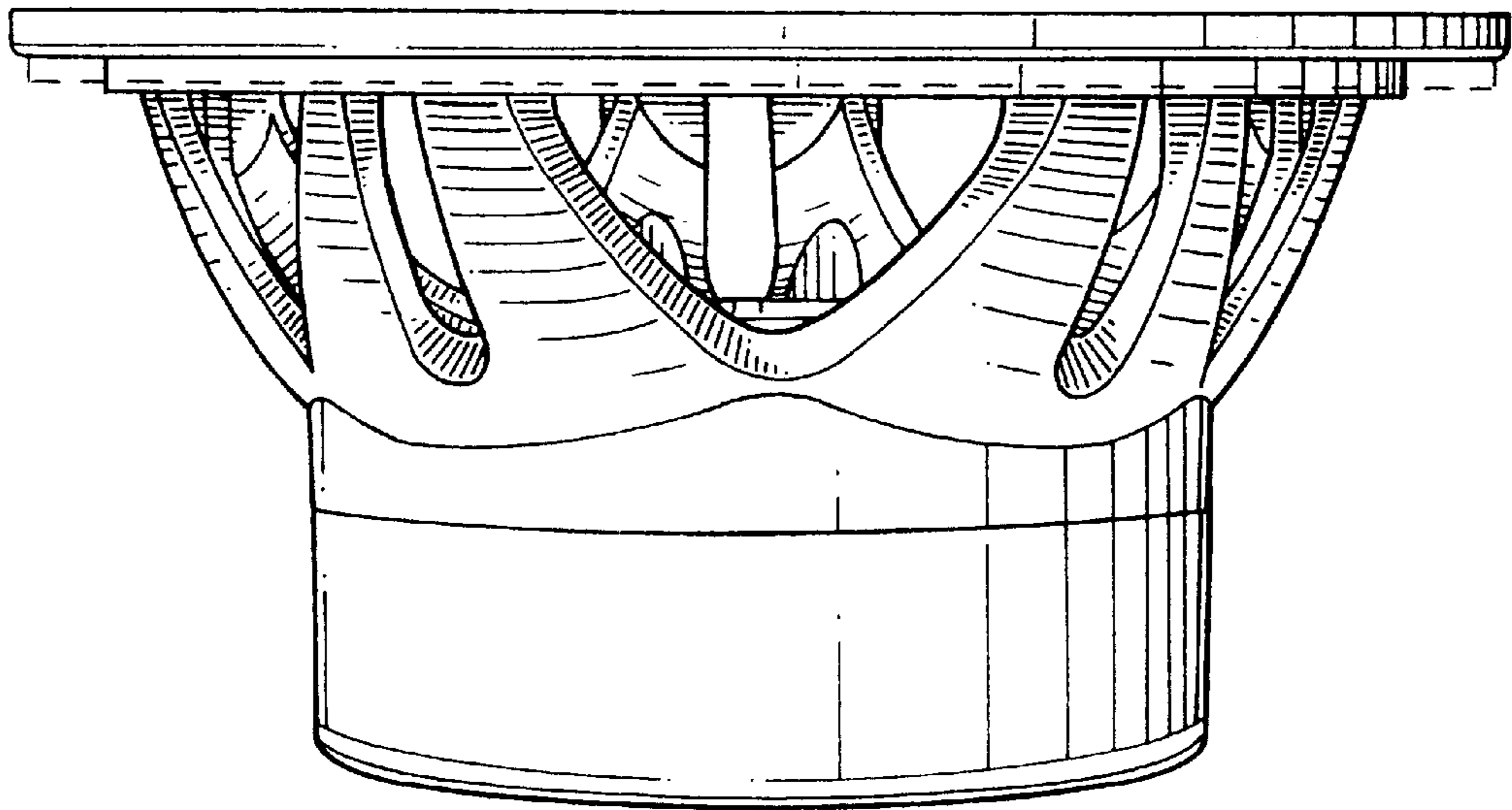


FIG. 1

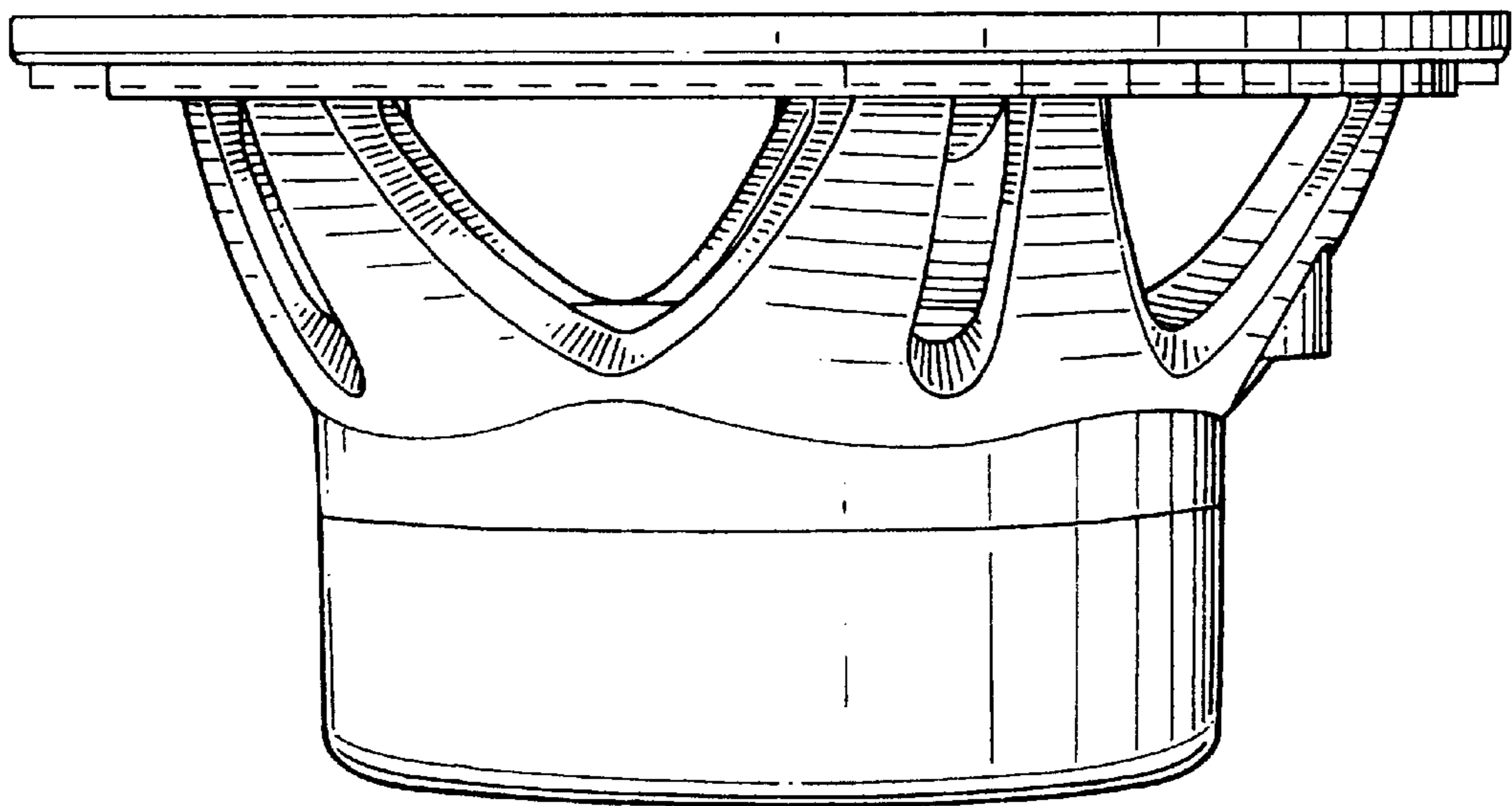


FIG. 2

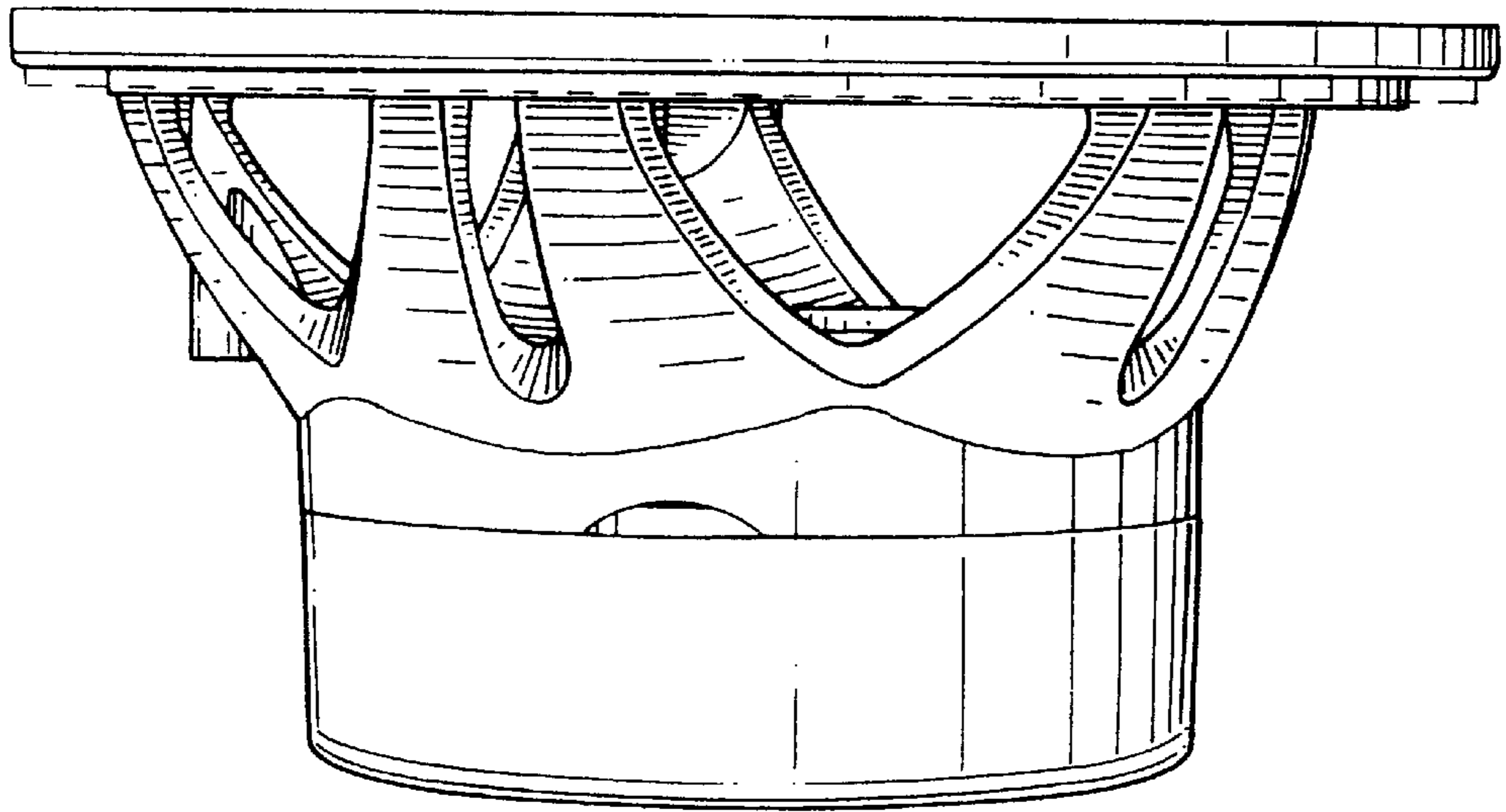


FIG. 3

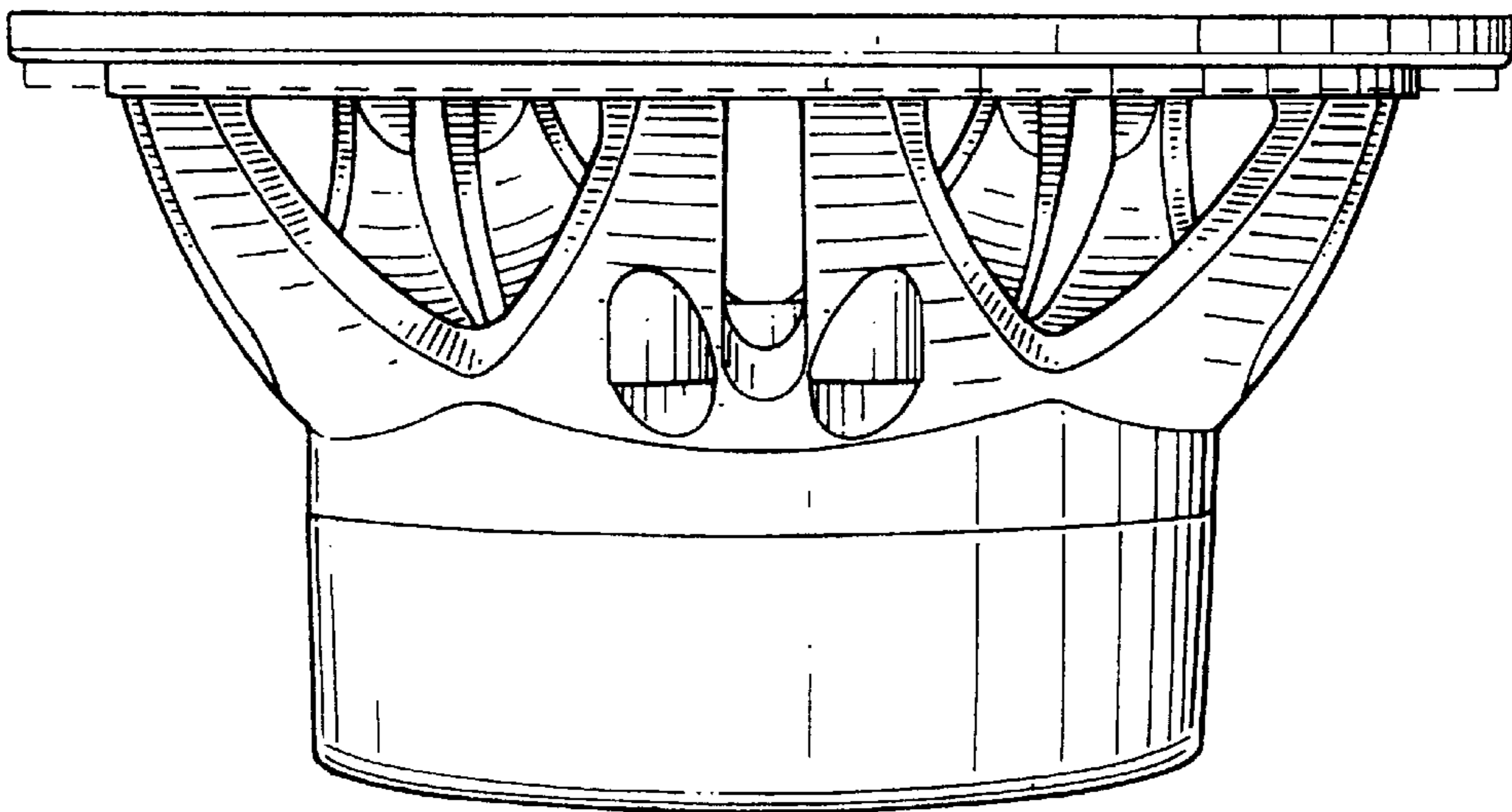


FIG. 4

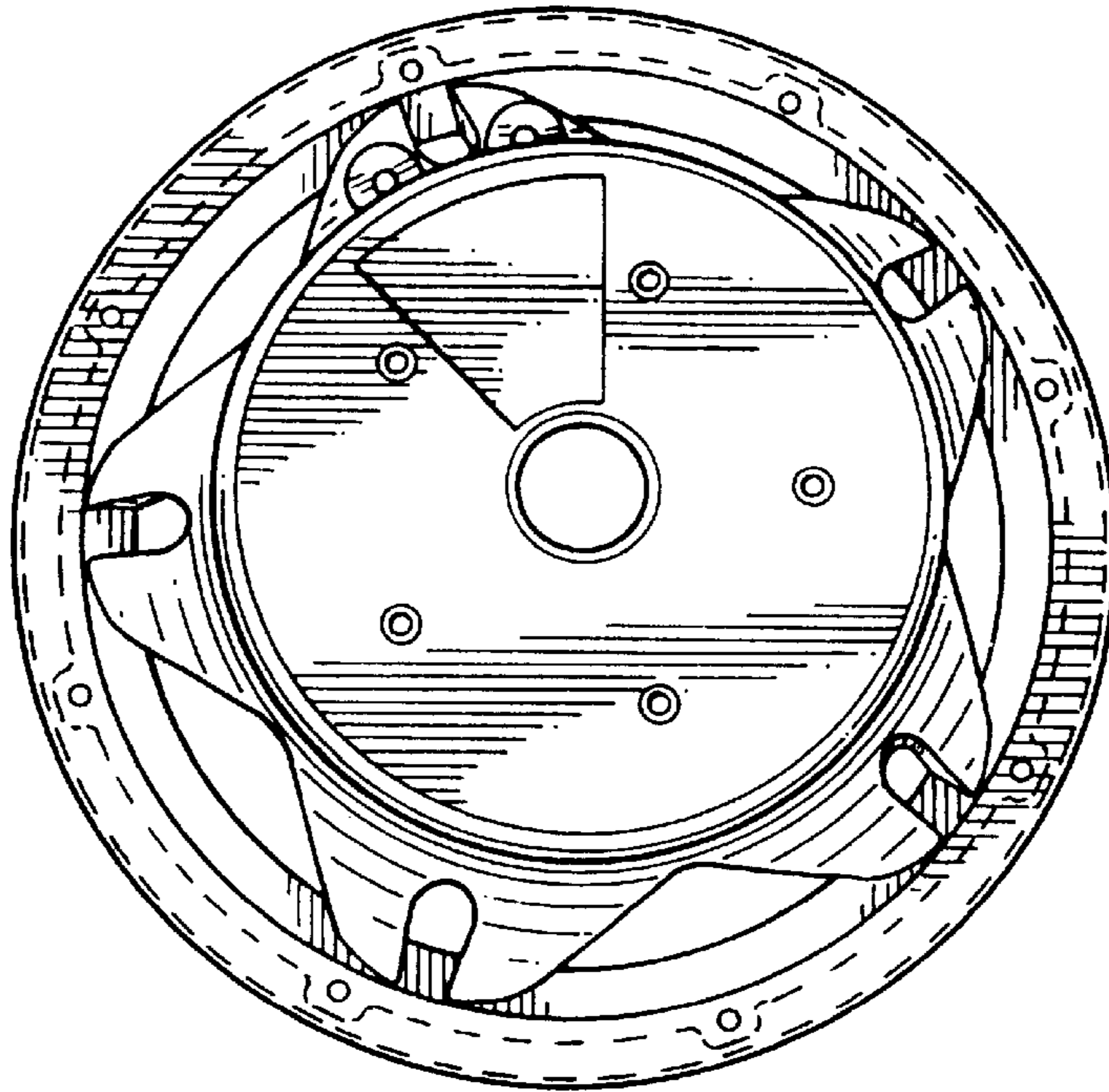


FIG. 5

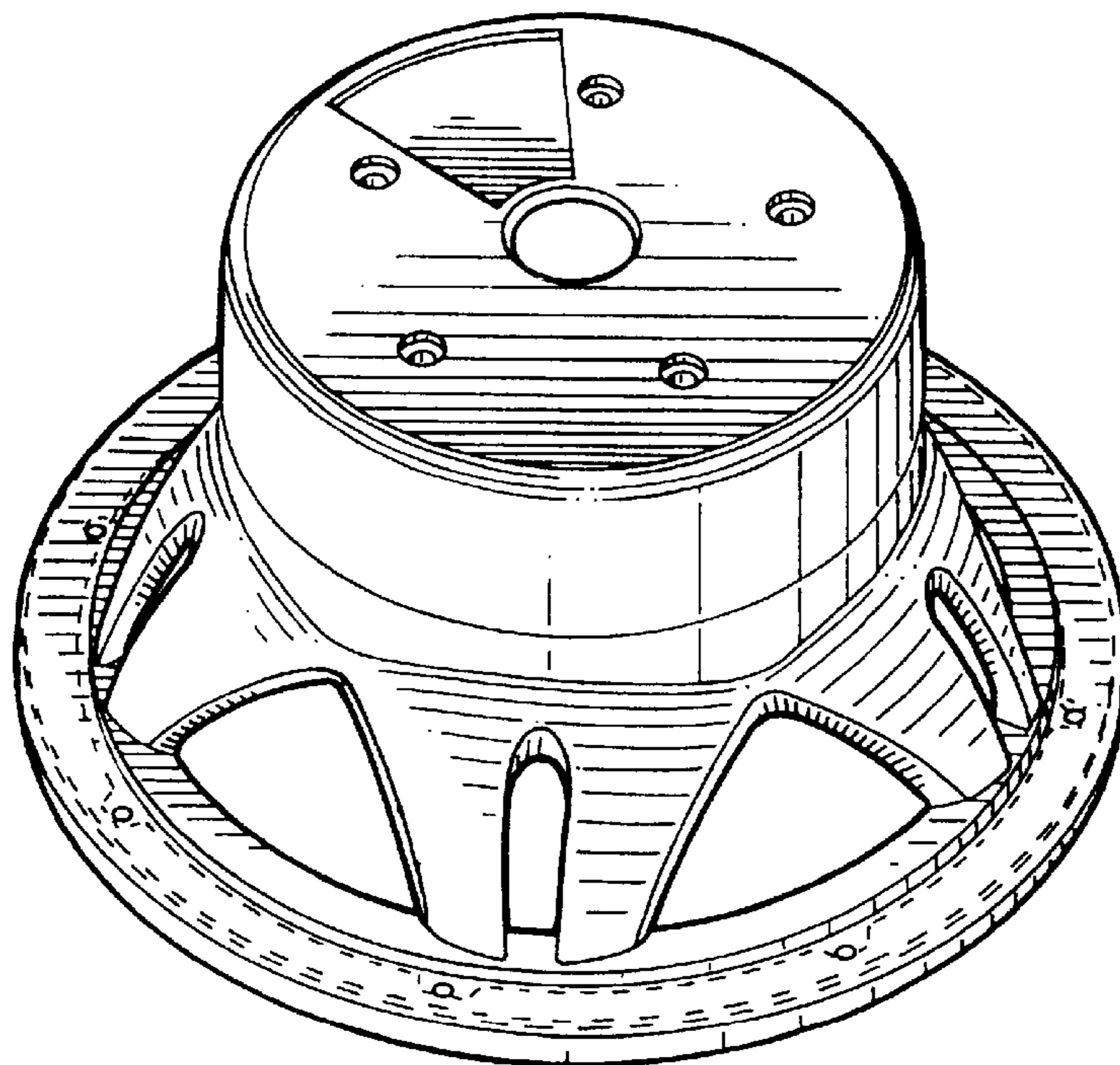


FIG. 6

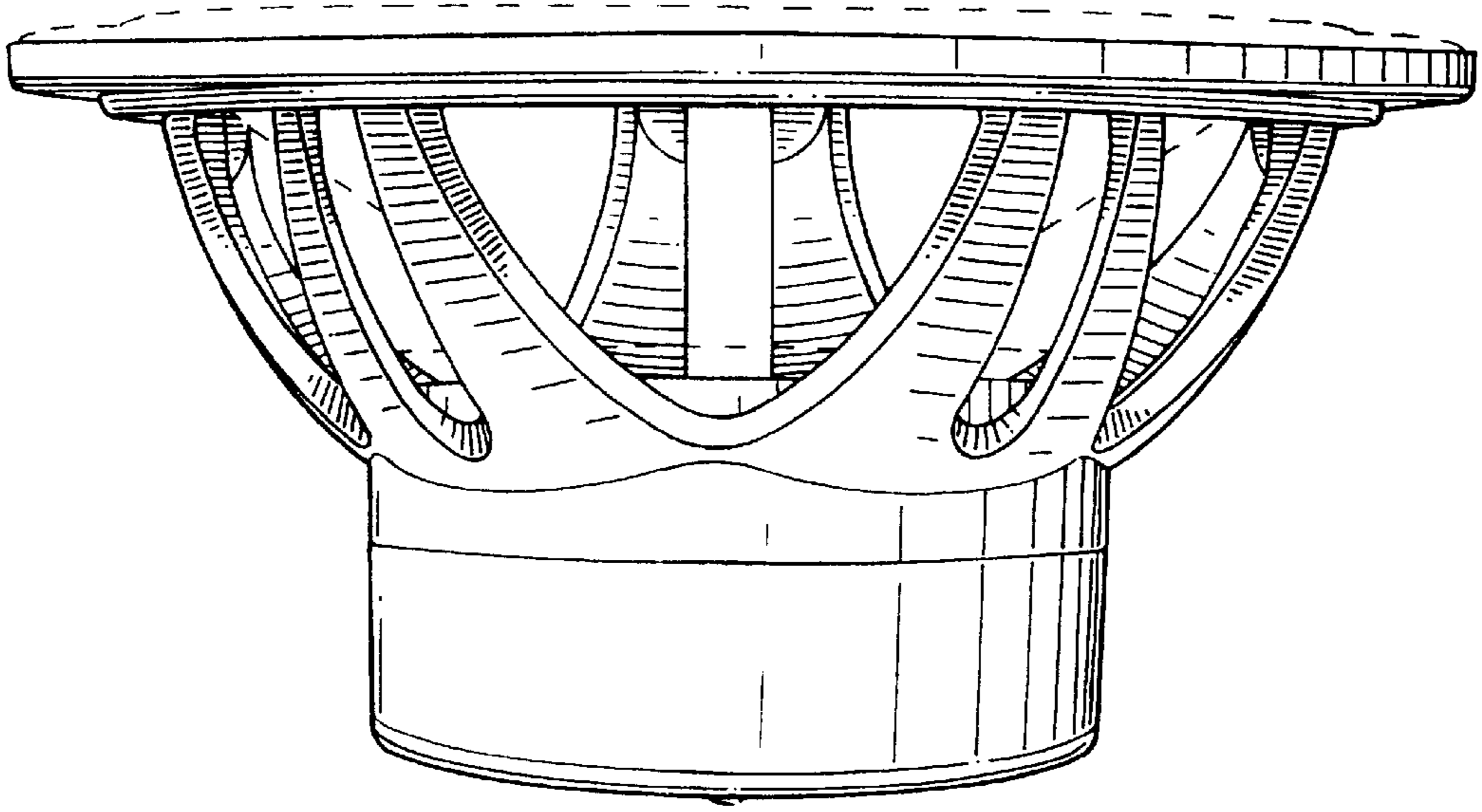


FIG. 7

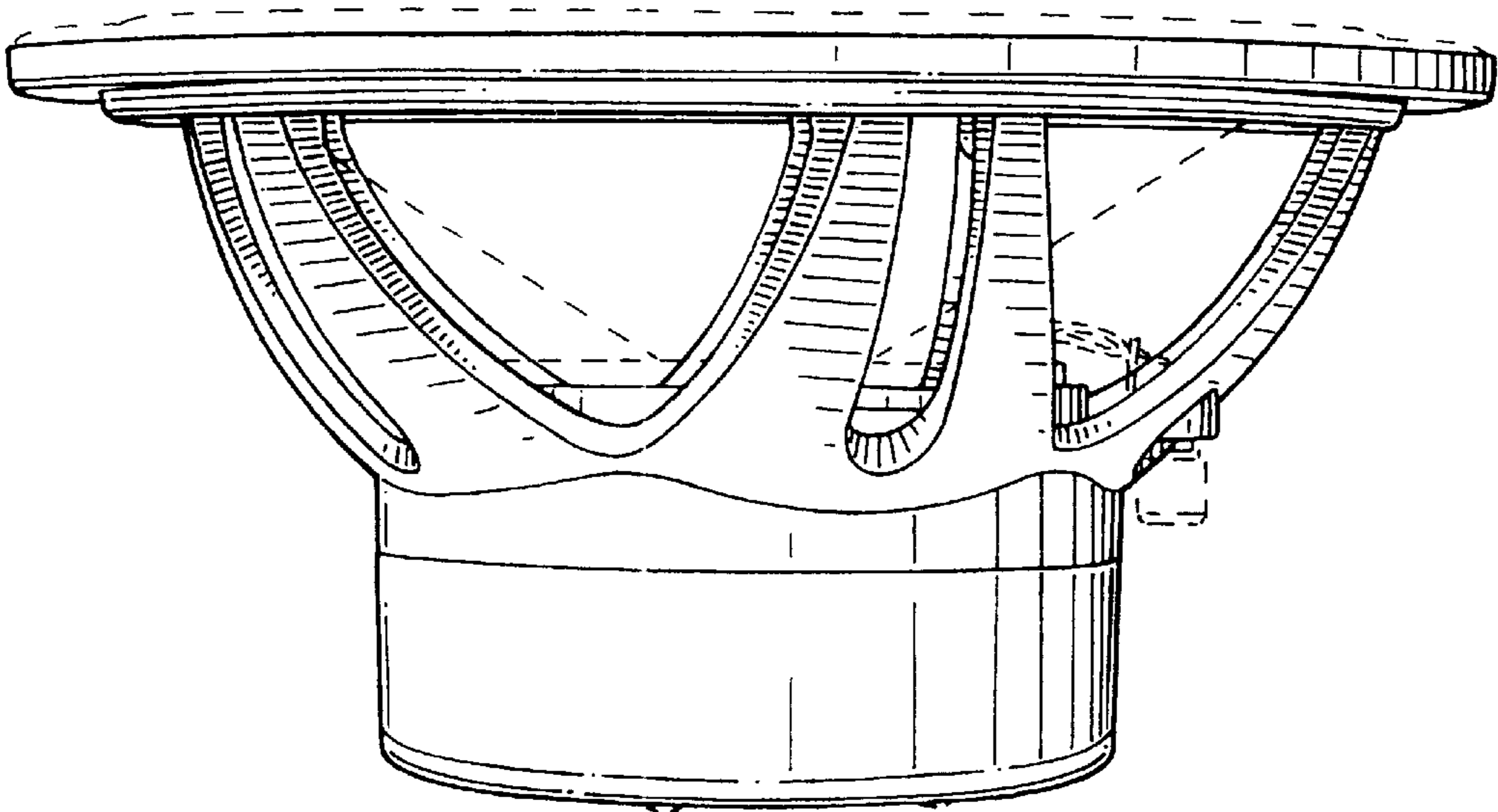


FIG. 8

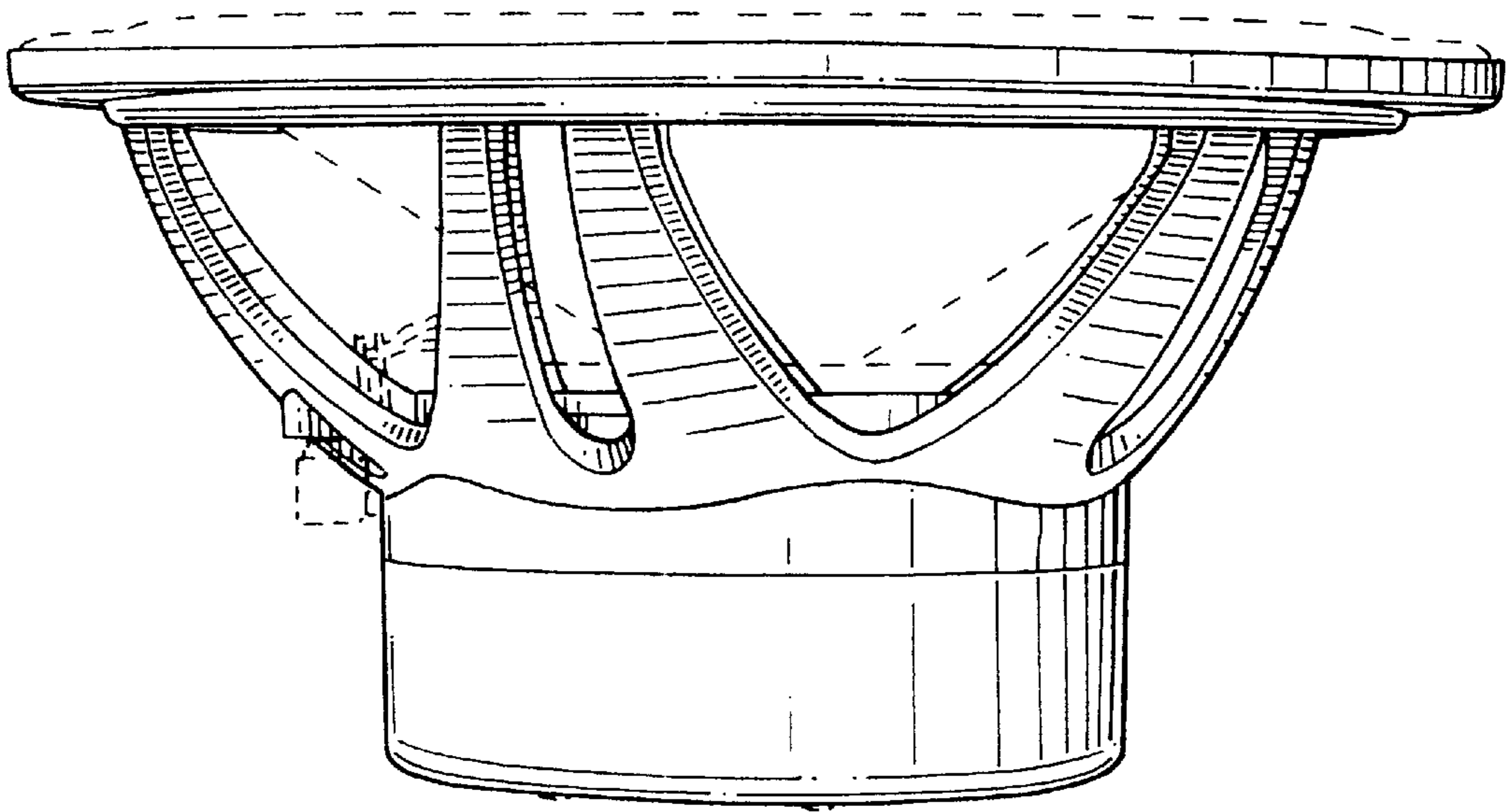


FIG. 9

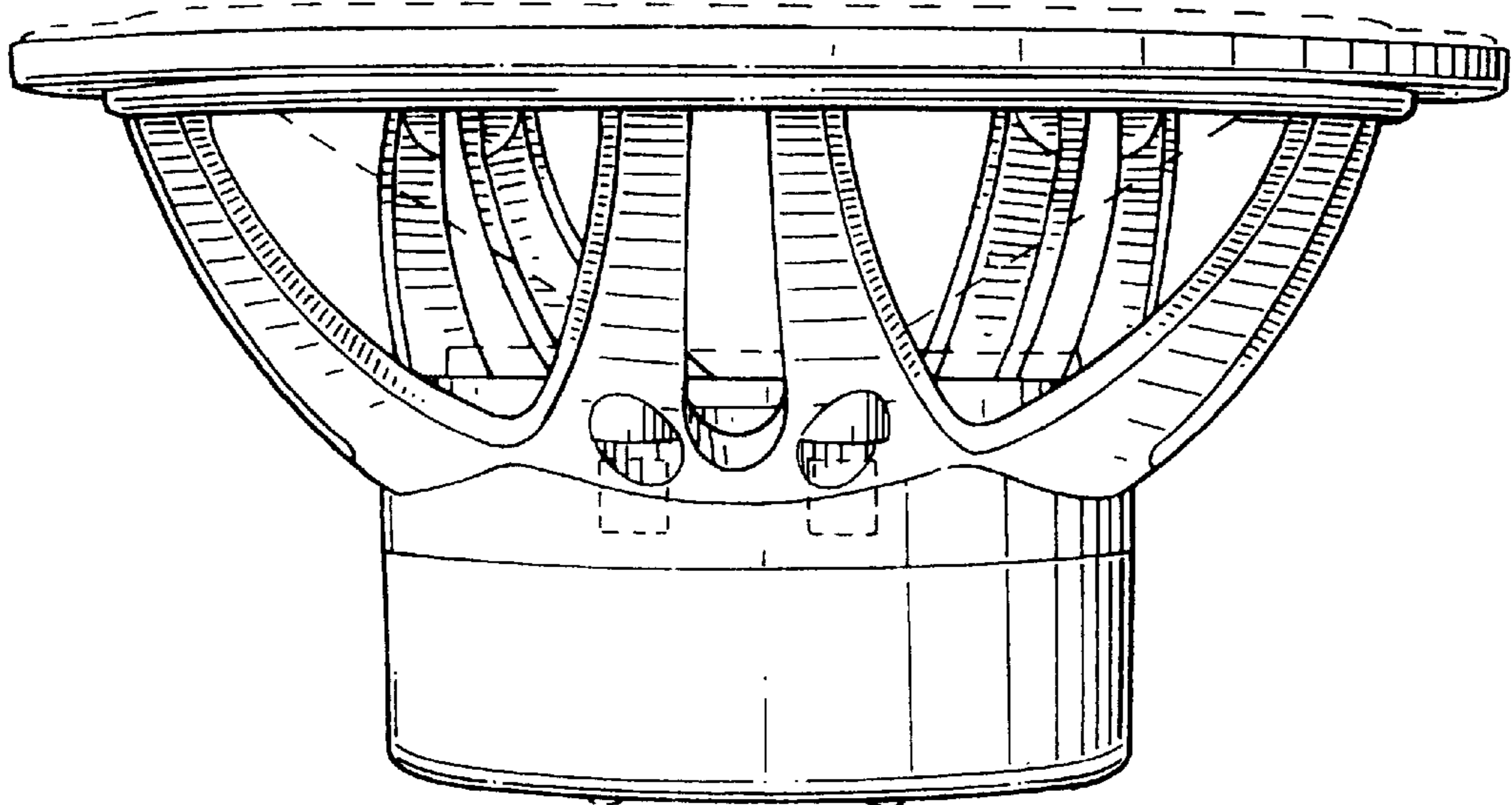


FIG. 10

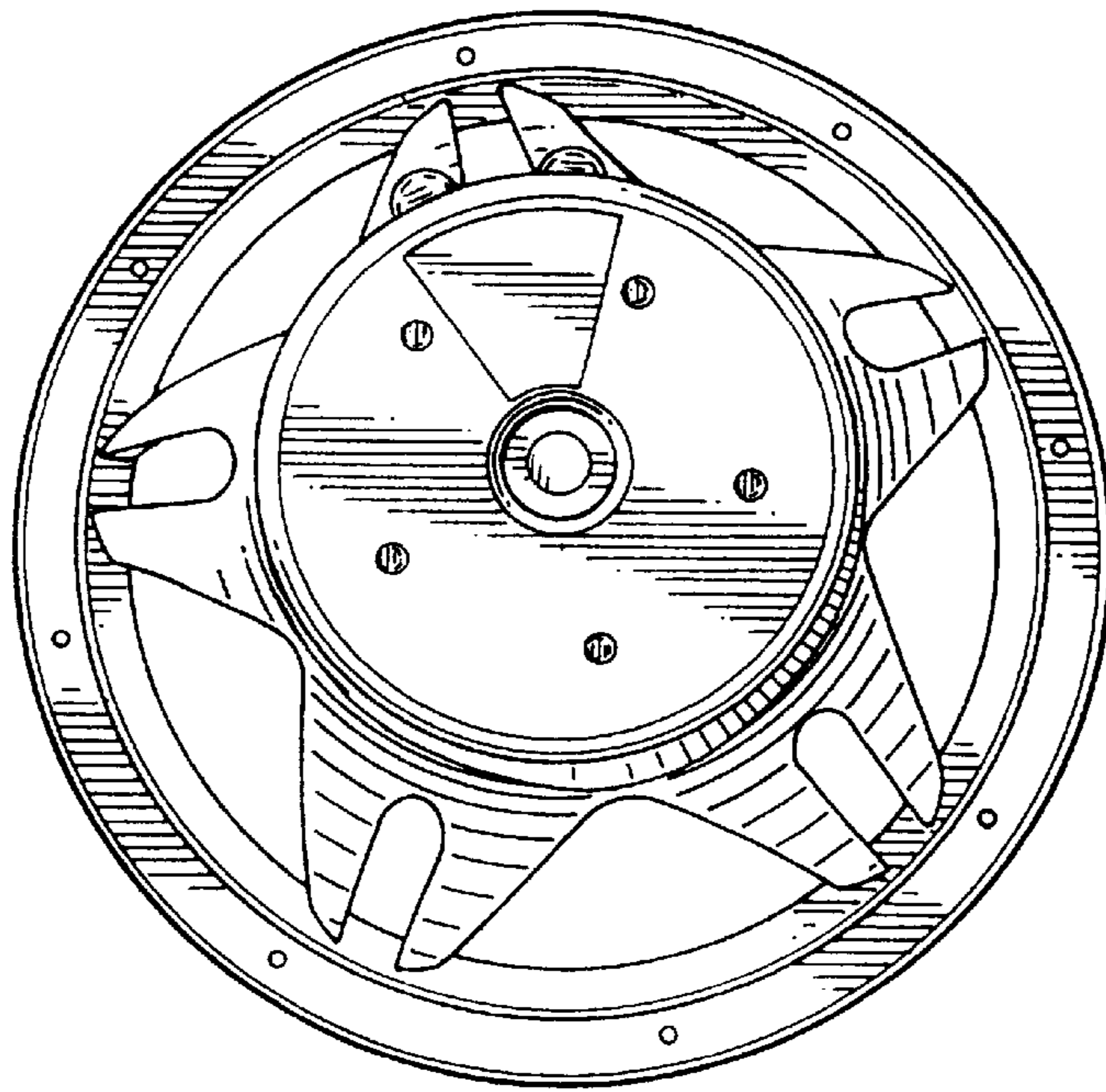


FIG. 11

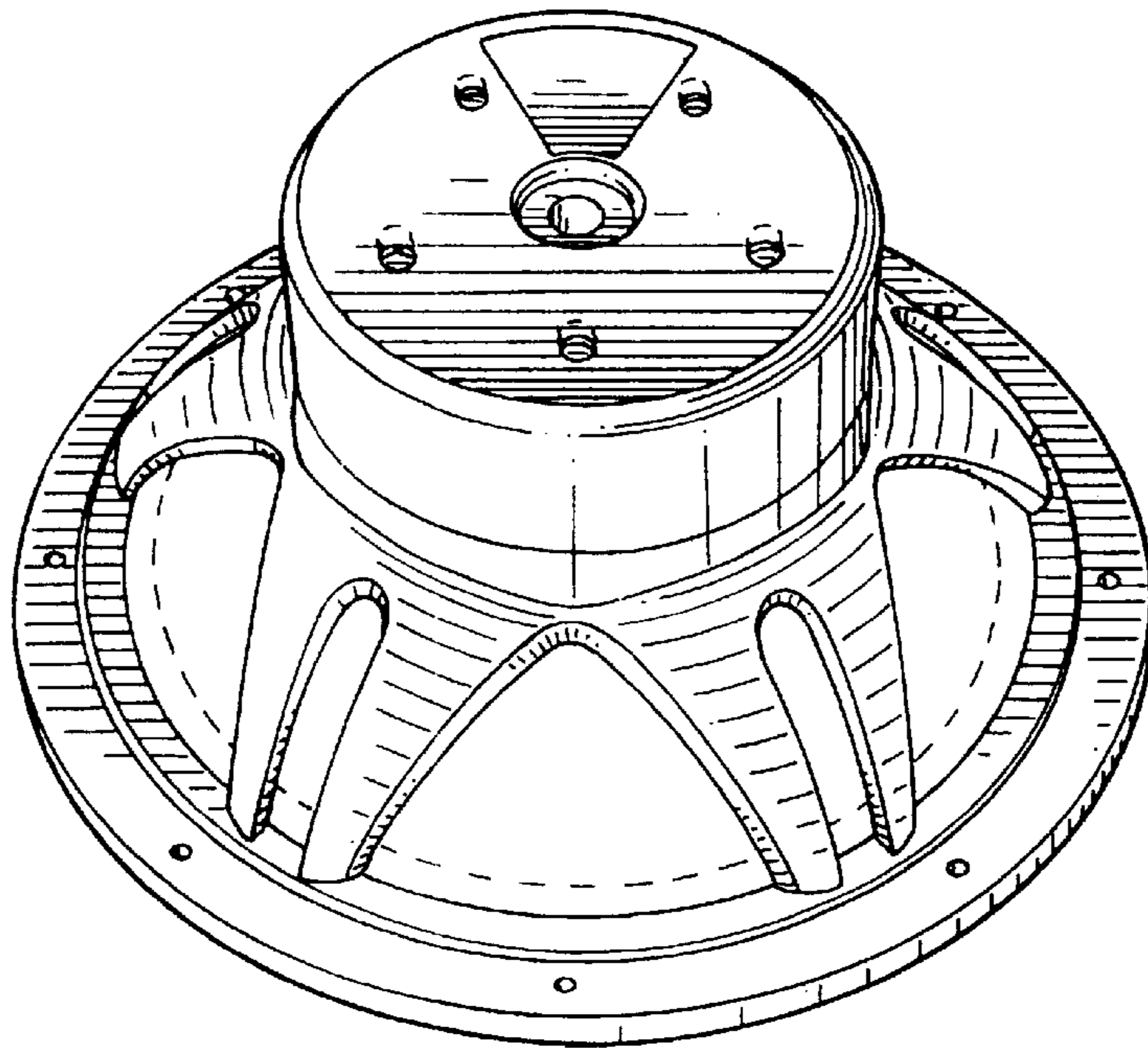


FIG. 12

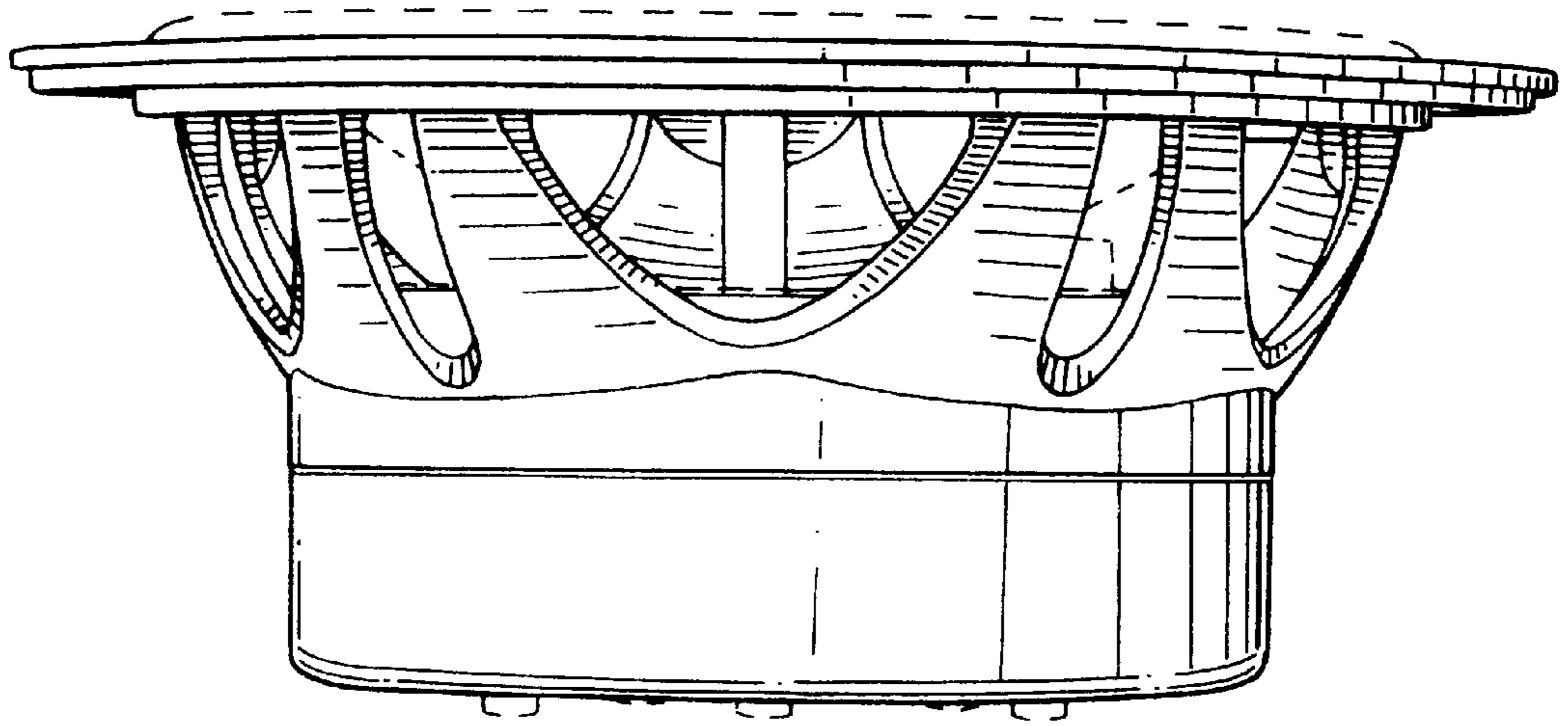


FIG. 13

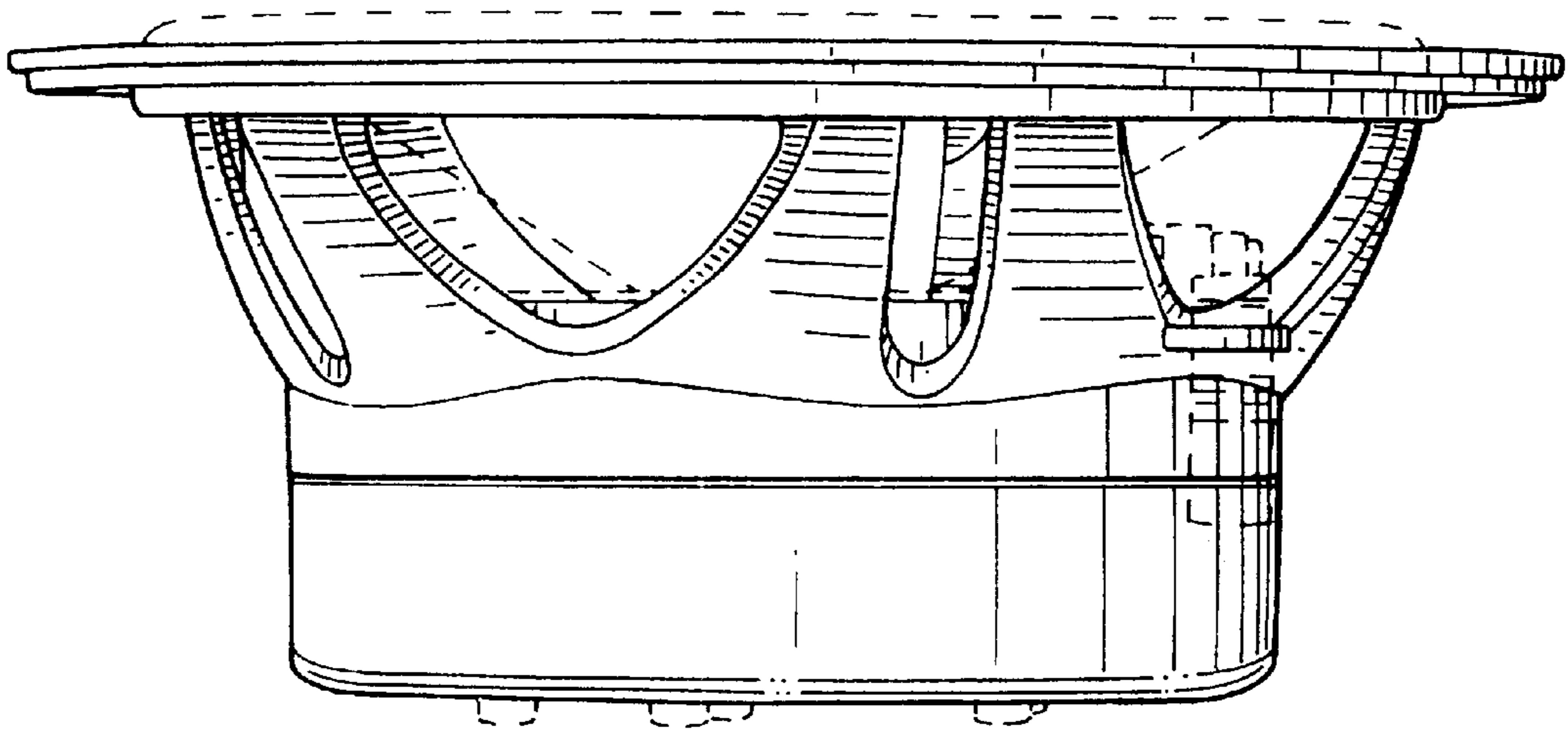


FIG. 14

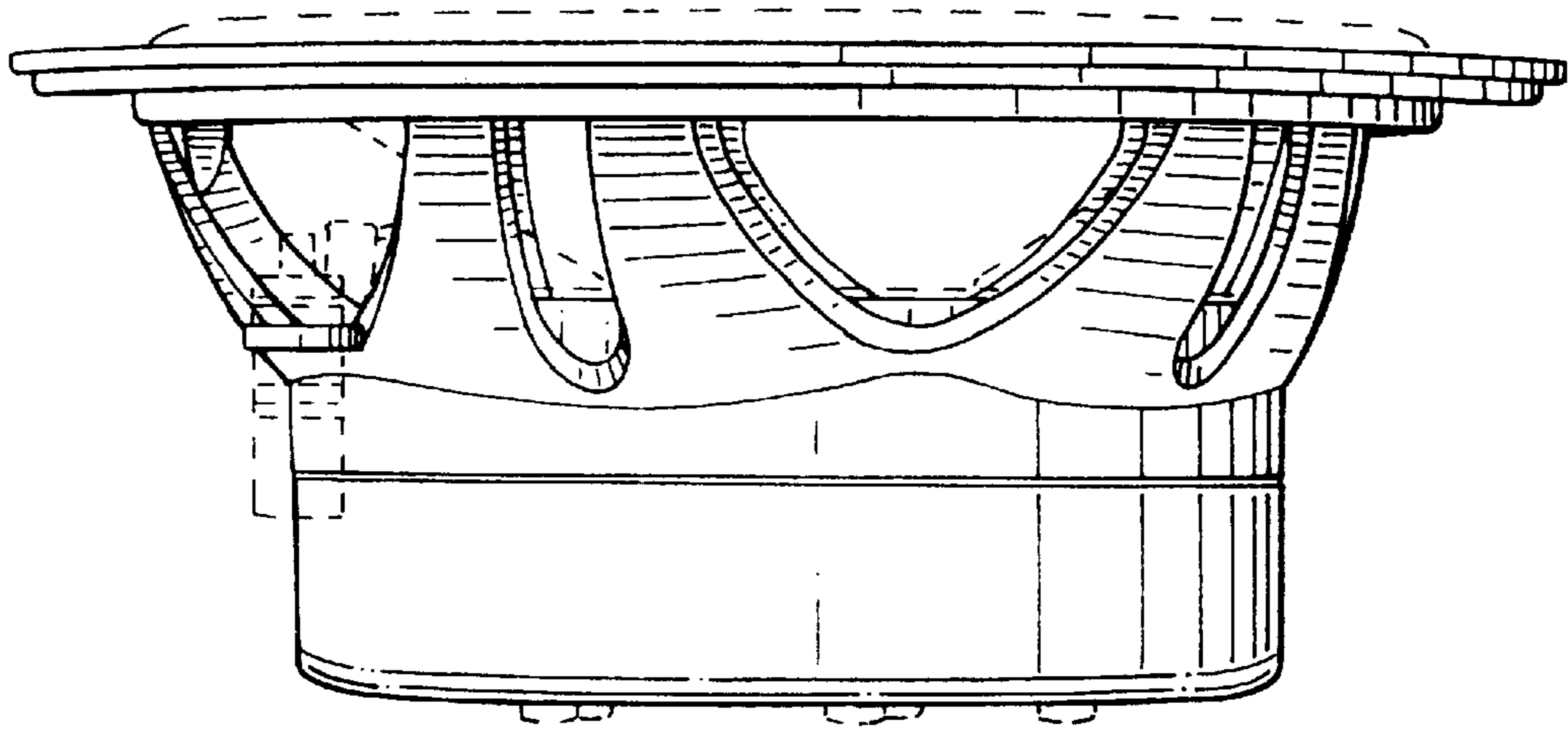


FIG. 15

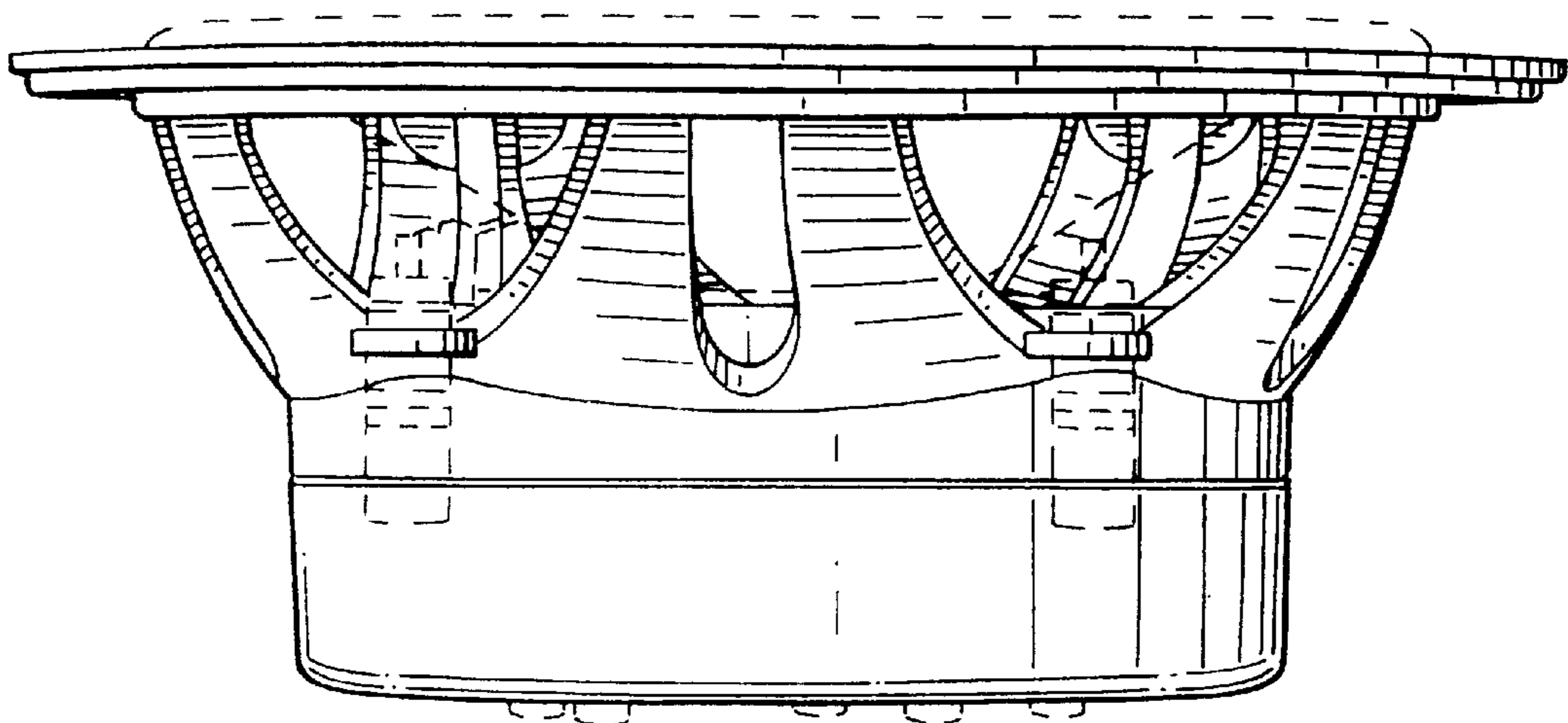


FIG. 16

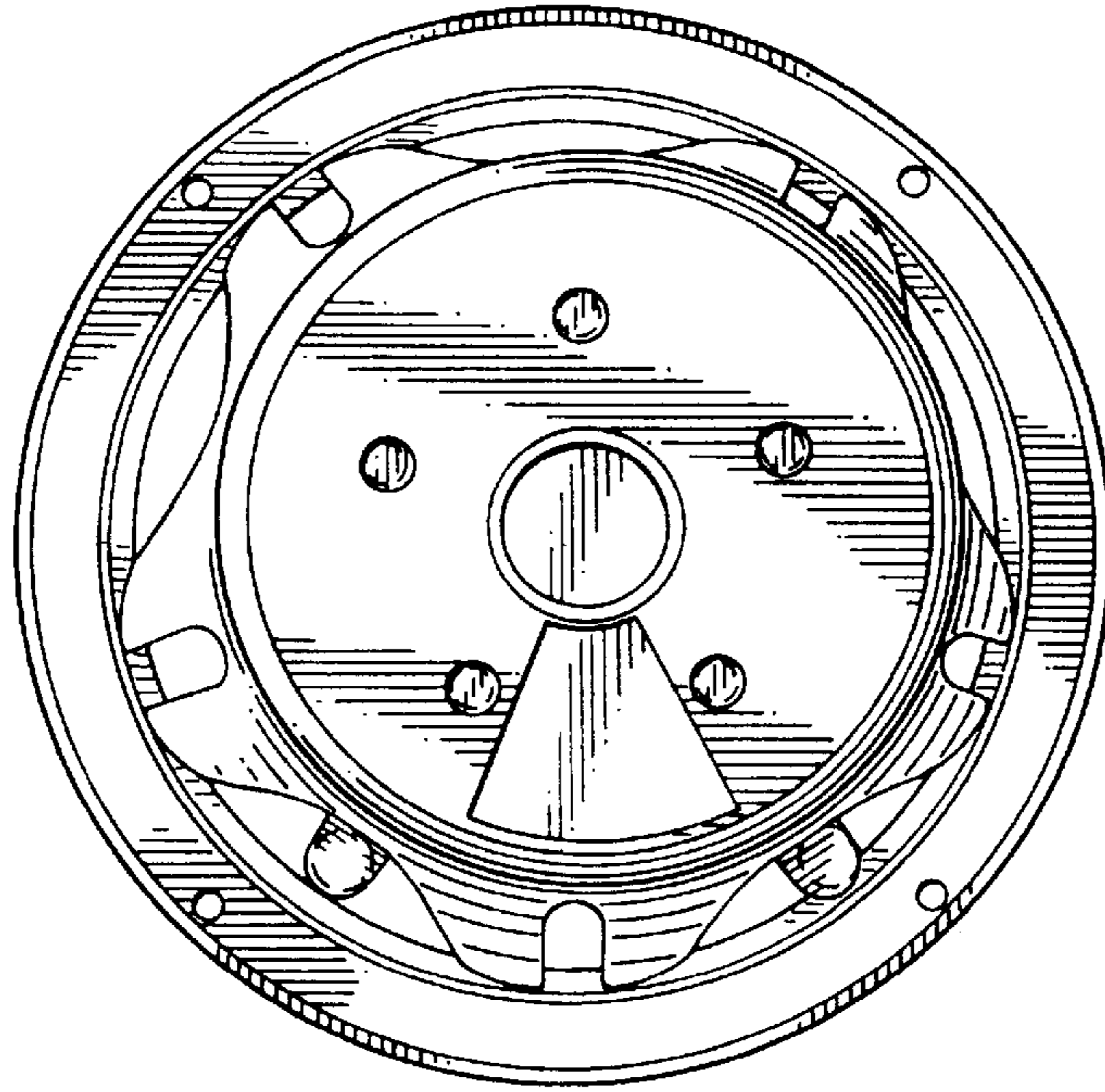


FIG. 17

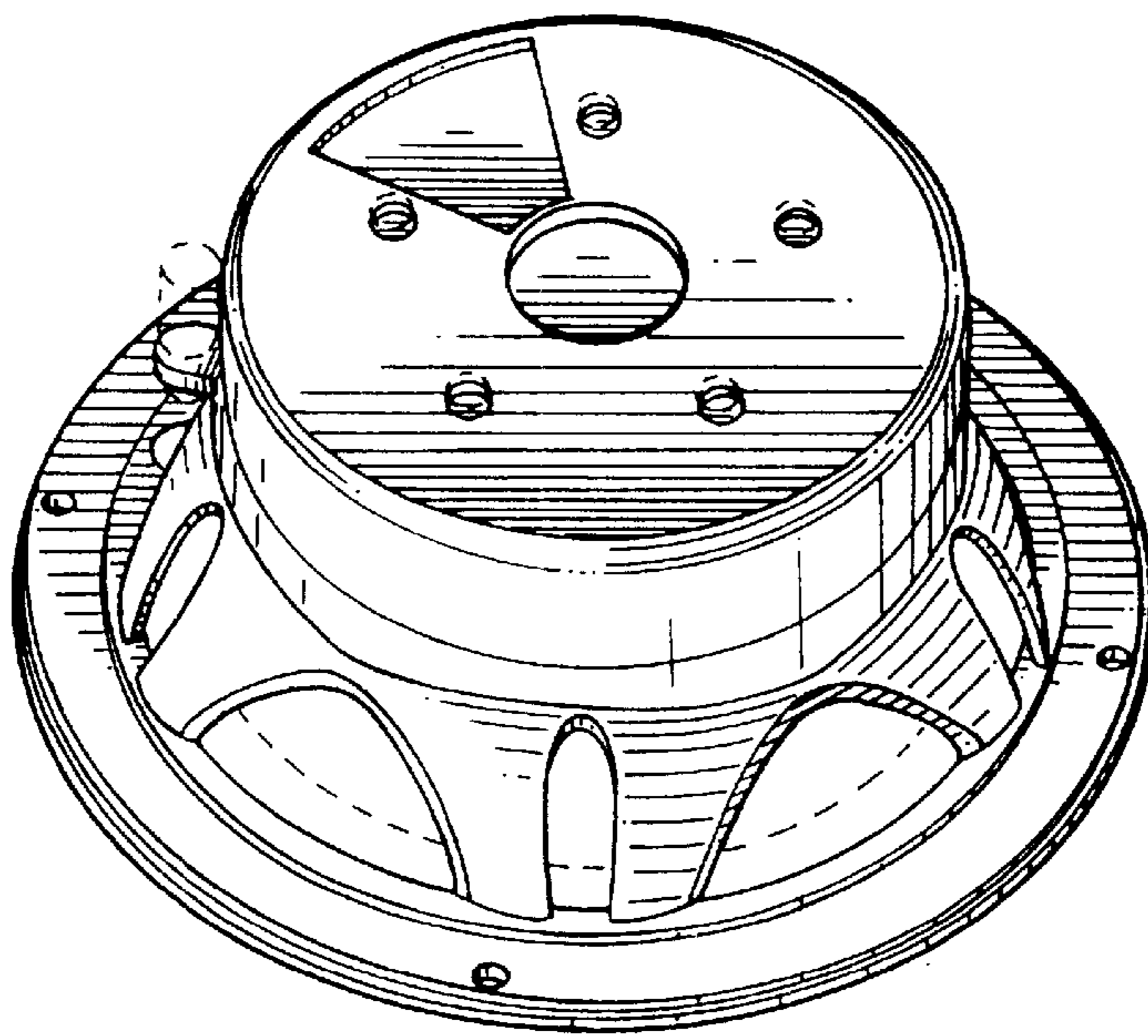


FIG. 18

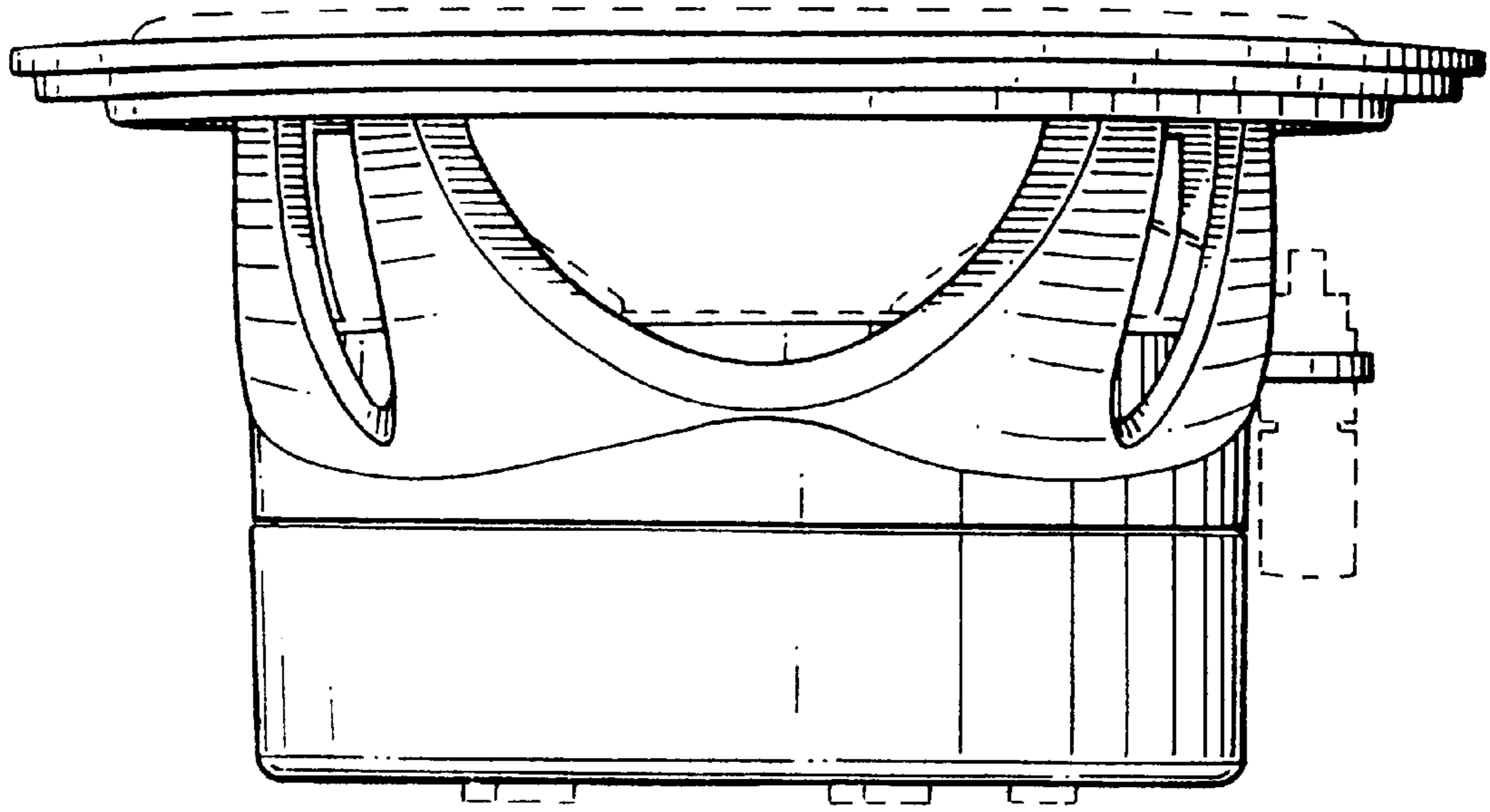


FIG. 19

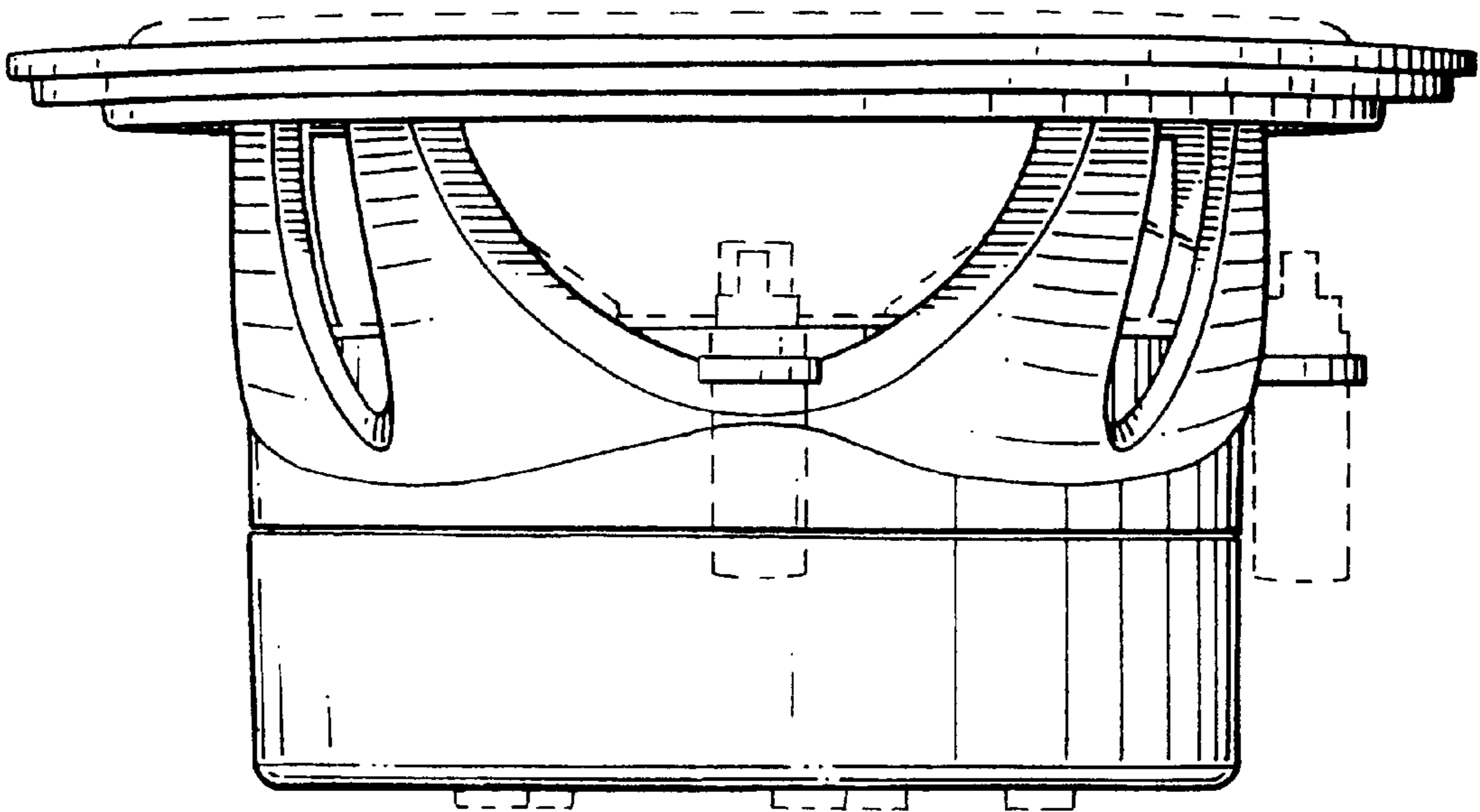


FIG. 20

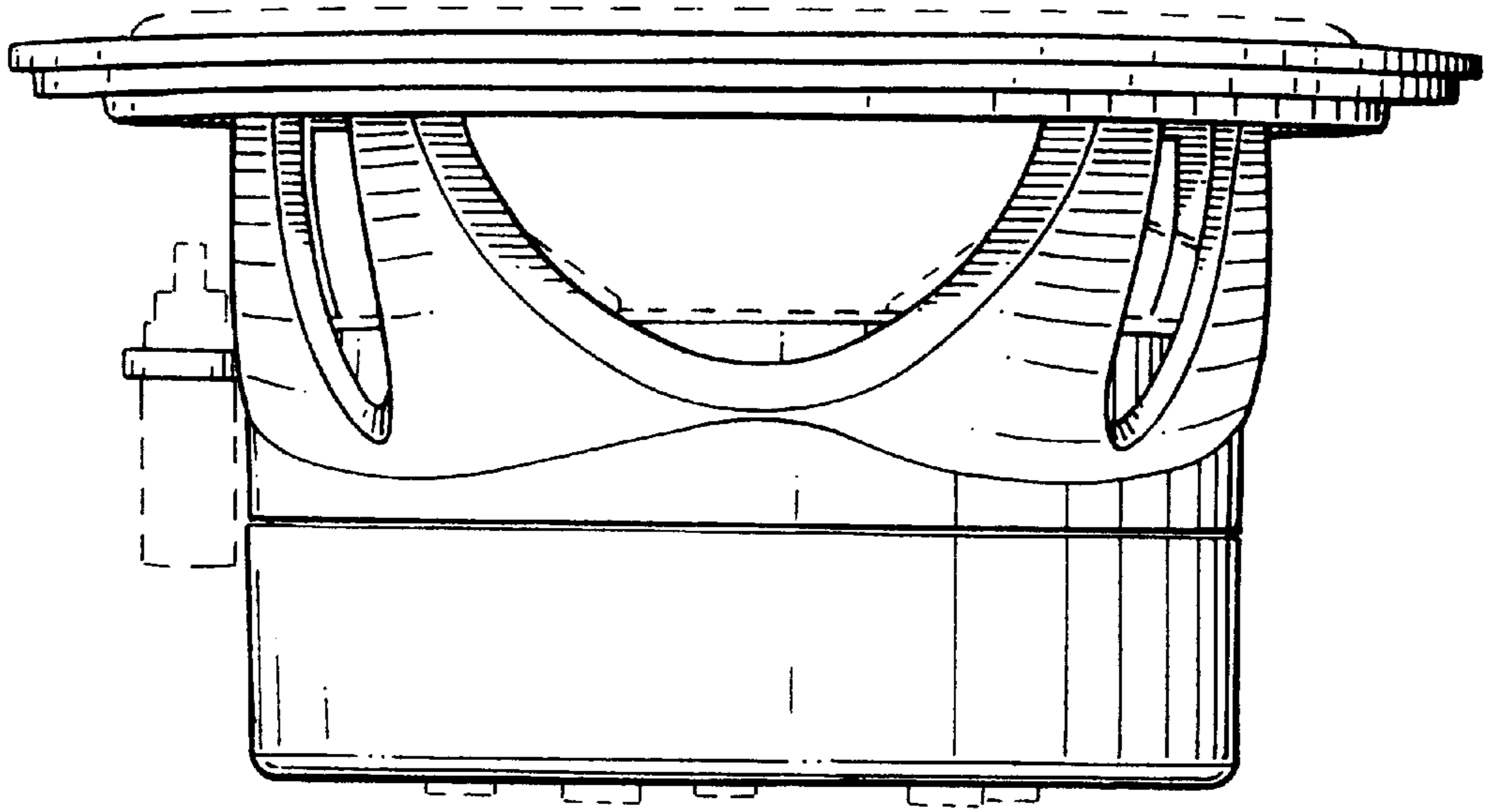


FIG. 21

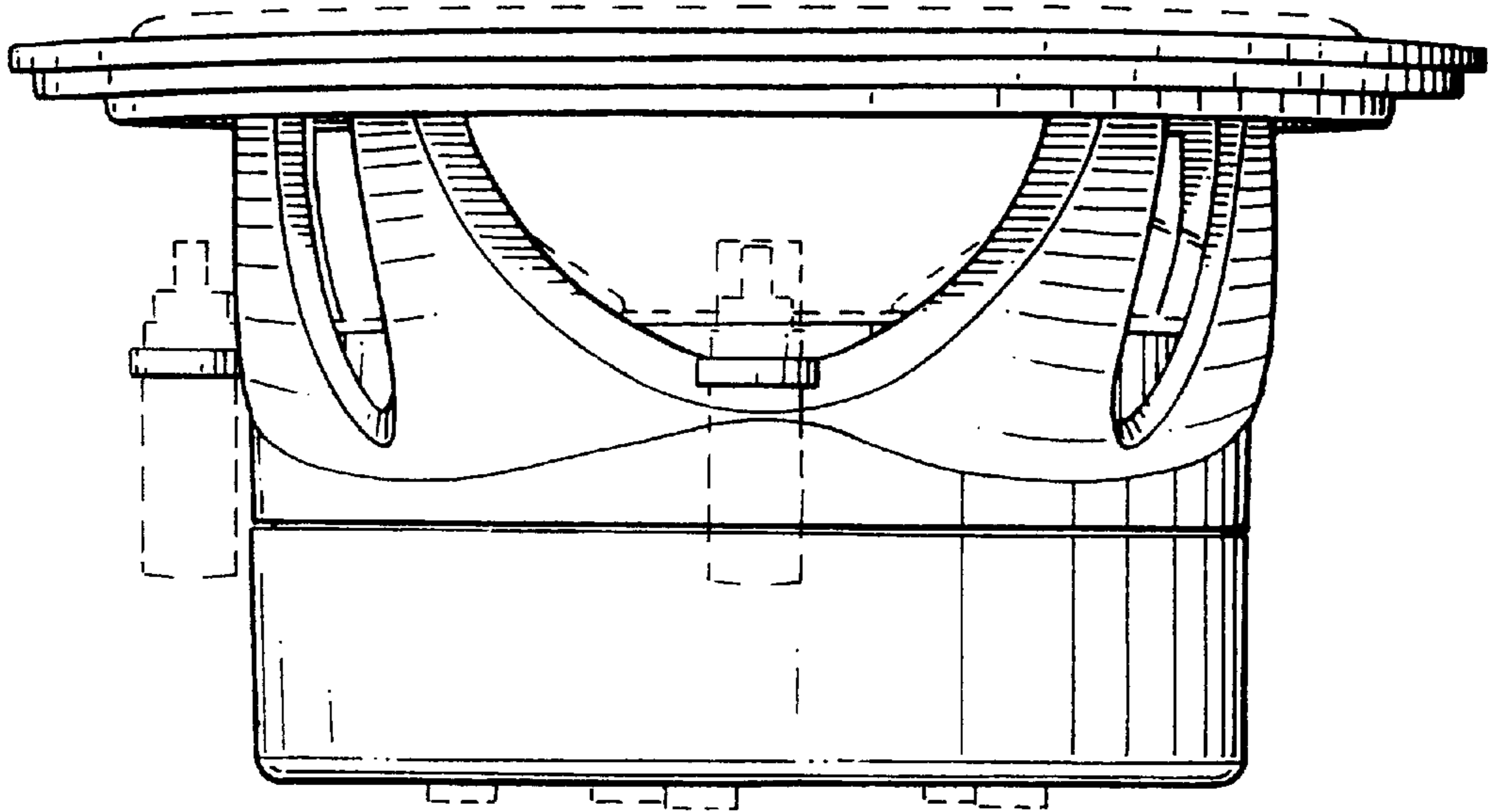


FIG. 22

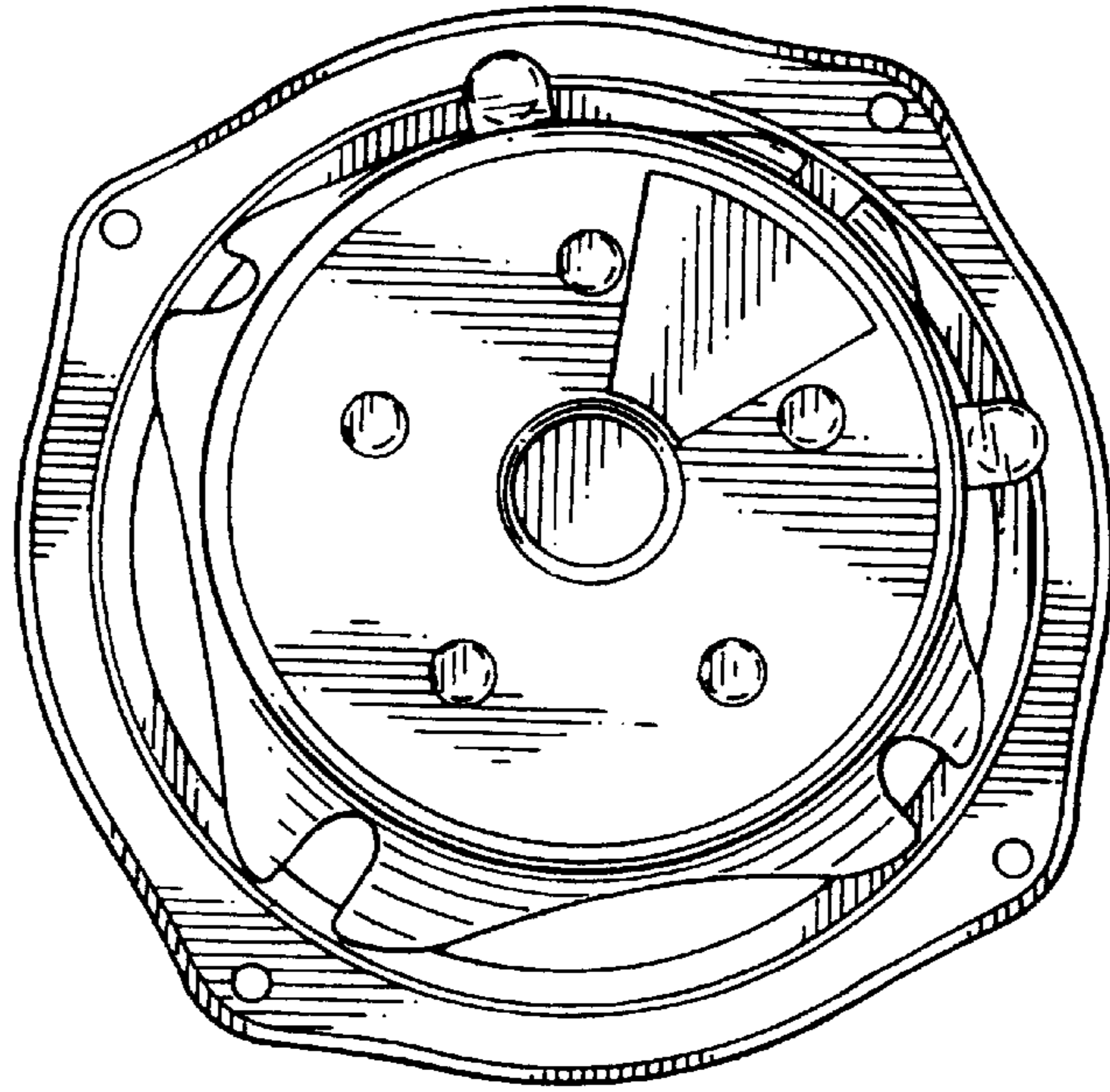


FIG. 23

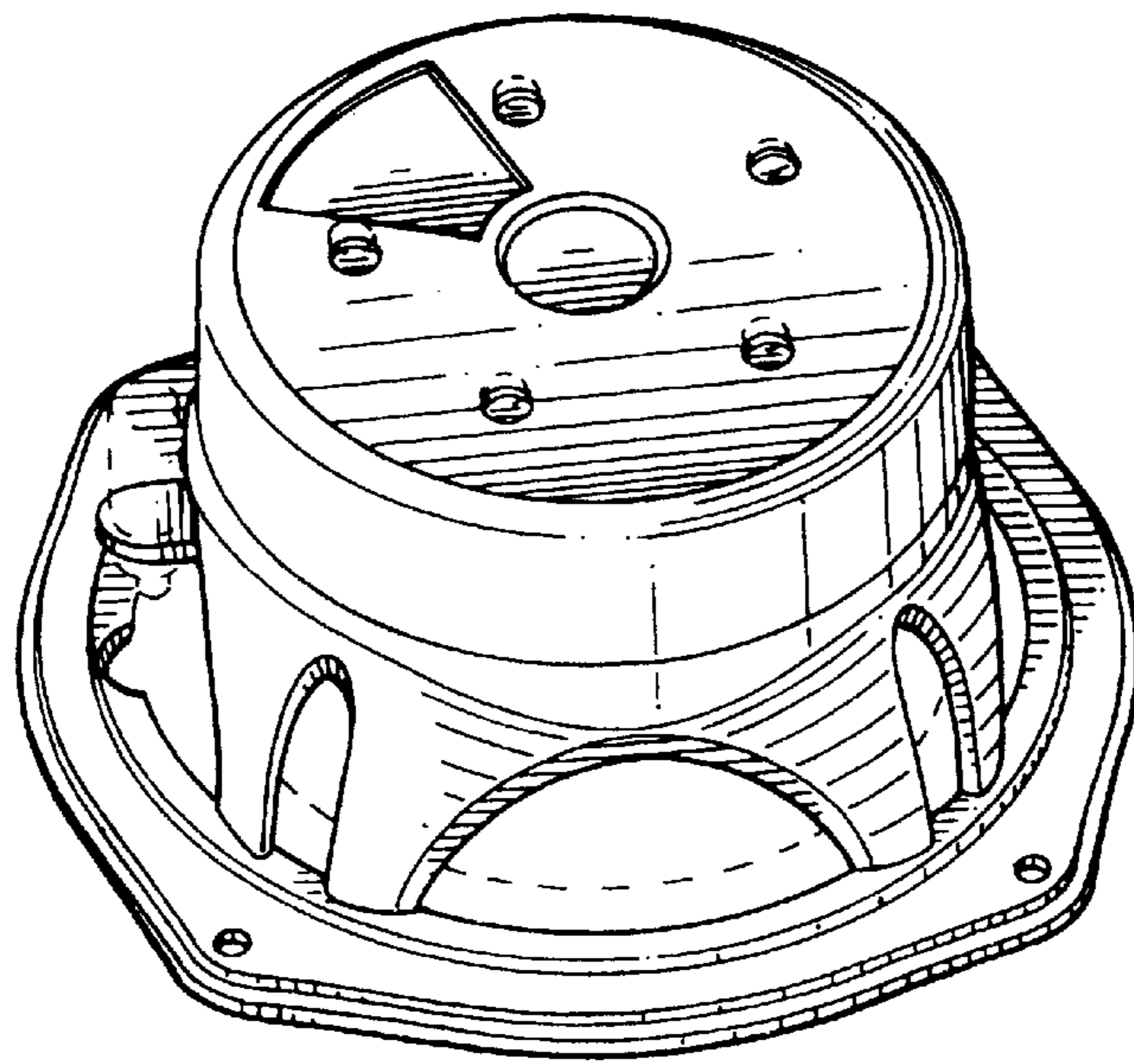


FIG. 24