



US00D463405S

(12) **United States Design Patent**
Masujima et al.

(10) **Patent No.:** **US D463,405 S**

(45) **Date of Patent:** **** Sep. 24, 2002**

(54) **REMOTE CONTROLLER**

(75) Inventors: **Ikuo Masujima, Asahi-mura (JP);
Manabu Kawahara, Milan (IT)**

(73) Assignee: **Seiko Epson Corporation, Tokyo (JP)**

(**) Term: **14 Years**

(21) Appl. No.: **29/148,600**

(22) Filed: **Sep. 25, 2001**

(30) **Foreign Application Priority Data**

May 9, 2001 (JP) 2001-013260

(51) **LOC (7) Cl.** **14-03**

(52) **U.S. Cl.** **D14/218**

(58) **Field of Search** D14/174, 217,
D14/218, 167, 168, 191-193, 124, 299;
D13/168, 162-164; D21/512-517, 566;
D10/104, 106; 348/114, 734; 455/352-355,
151.1-151.4

(56) **References Cited**

U.S. PATENT DOCUMENTS

D363,486 S * 10/1995 Shinohara et al. D14/218

D386,185 S * 11/1997 Cho D14/218

D396,468 S * 7/1998 Schindler et al. D14/218

D398,310 S * 9/1998 Barhold et al. D14/218

D436,588 S * 1/2001 Nakayama et al. D14/218

* cited by examiner

Primary Examiner—Louis S. Zarfes

Assistant Examiner—Deanne Levy

(74) *Attorney, Agent, or Firm*—Oliff & Berridge, PLC

(57) **CLAIM**

The ornamental design for remote controller, as shown and described.

DESCRIPTION

FIG. 1 is a front view of a remote controller;

FIG. 2 is a rear view thereof;

FIG. 3 is a left-side view thereof;

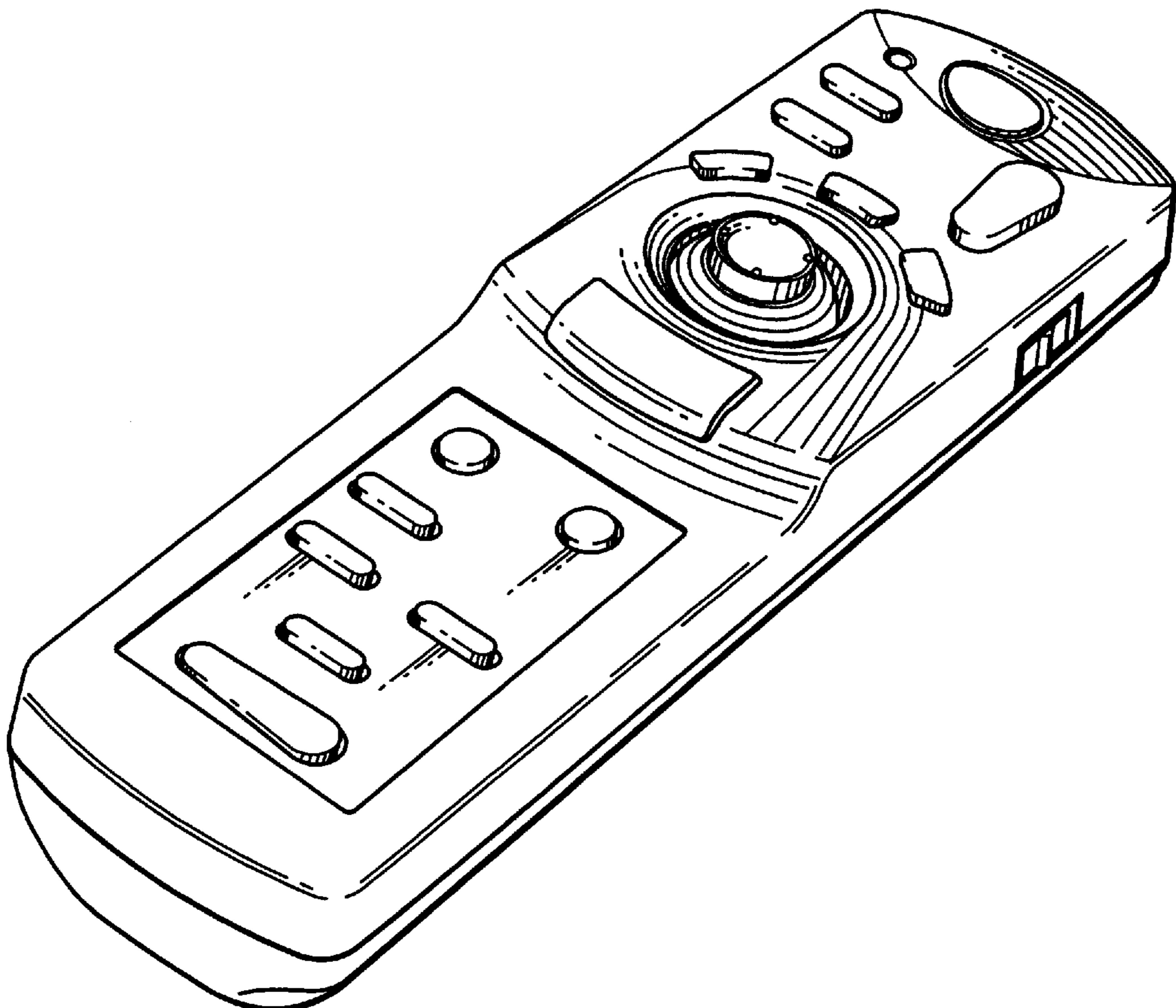
FIG. 4 is a right-side view thereof;

FIG. 5 is a top view thereof;

FIG. 6 is a bottom view thereof; and,

FIG. 7 is a perspective view thereof.

1 Claim, 3 Drawing Sheets



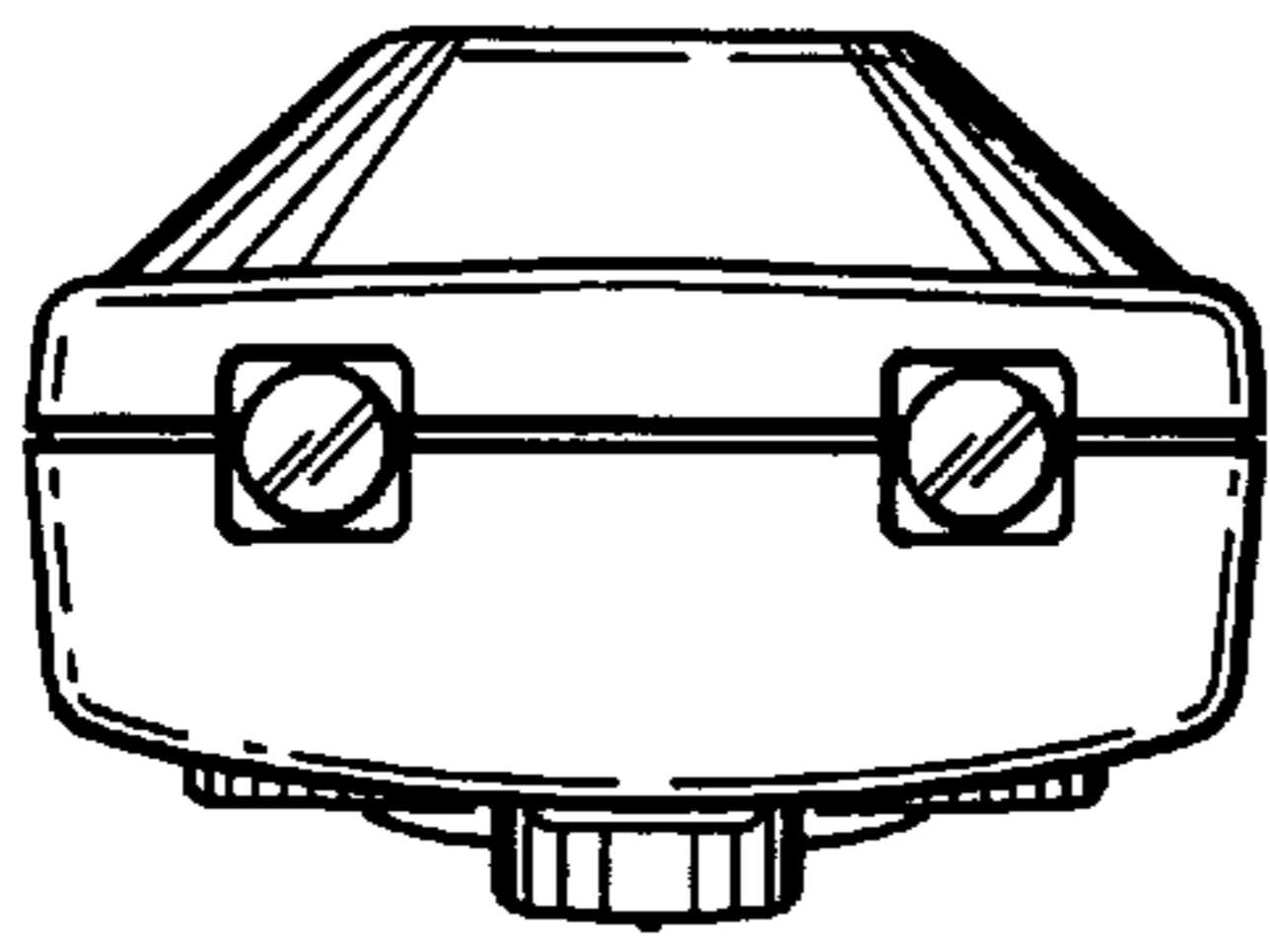


FIG. 5

FIG. 2

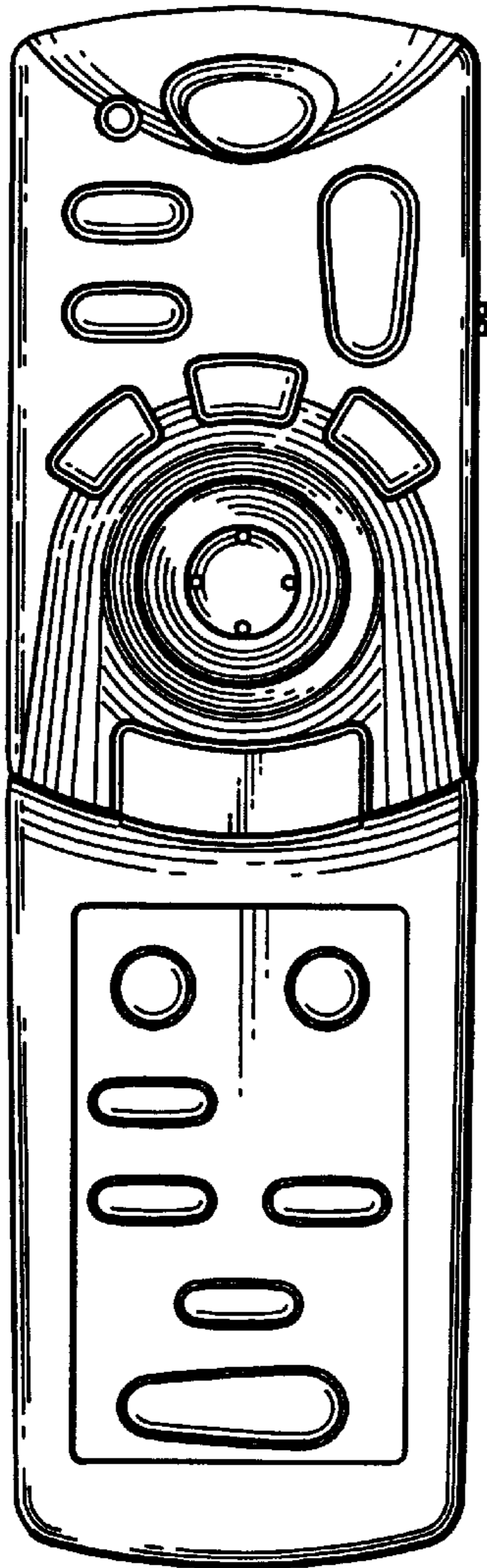


FIG. 1

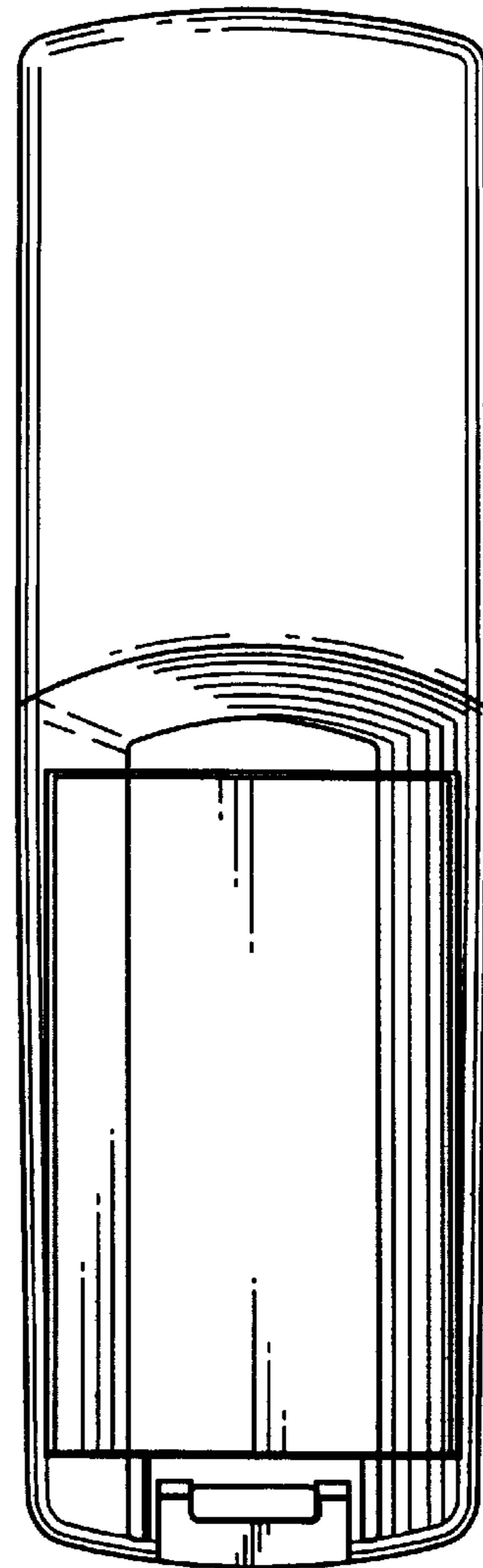
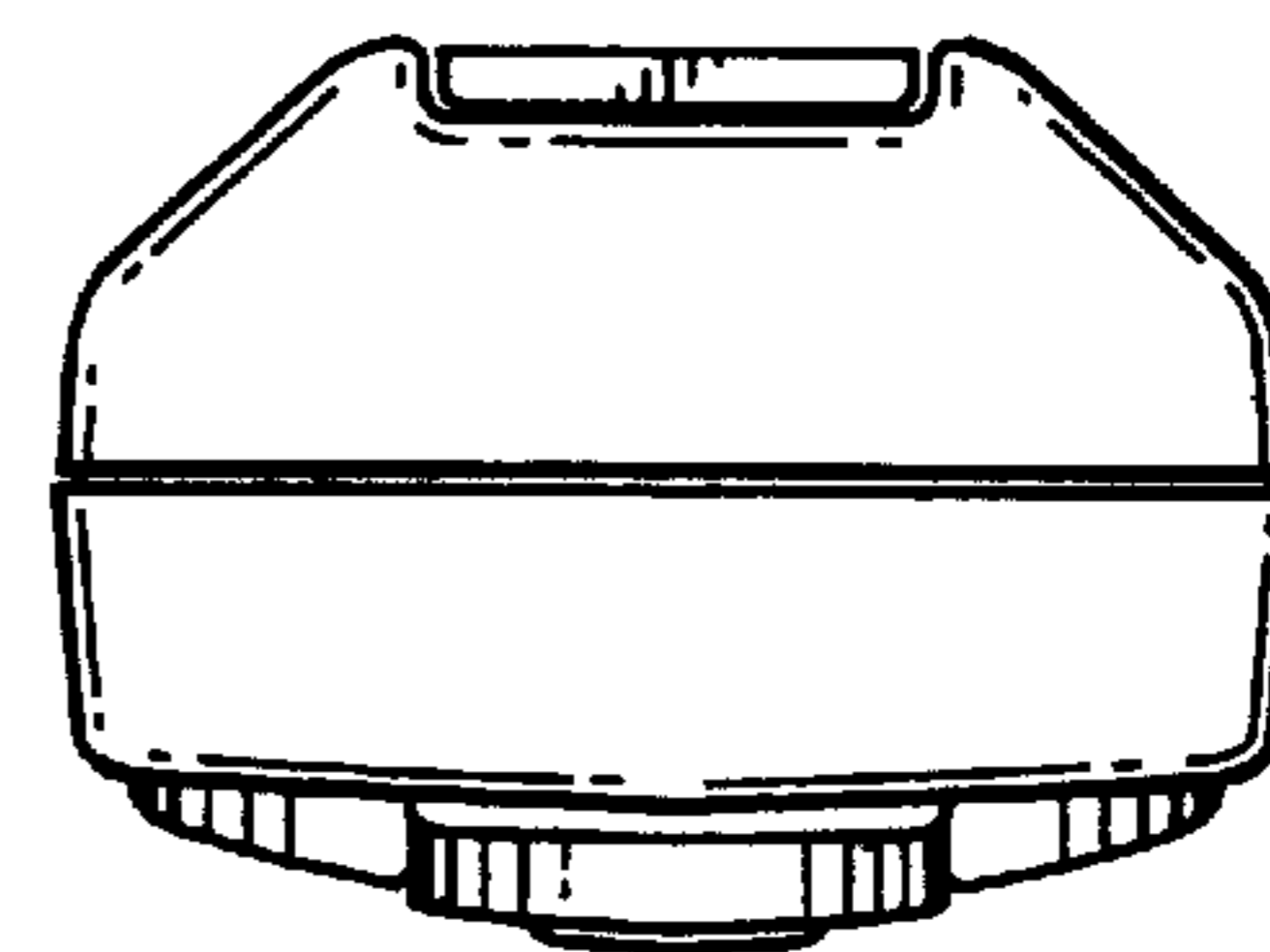


FIG. 6



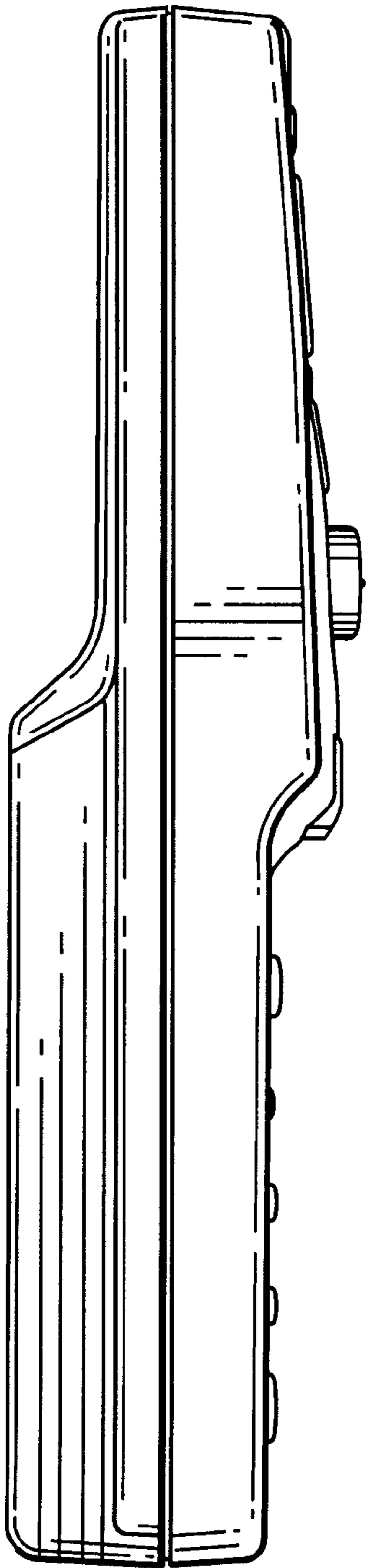


FIG. 3

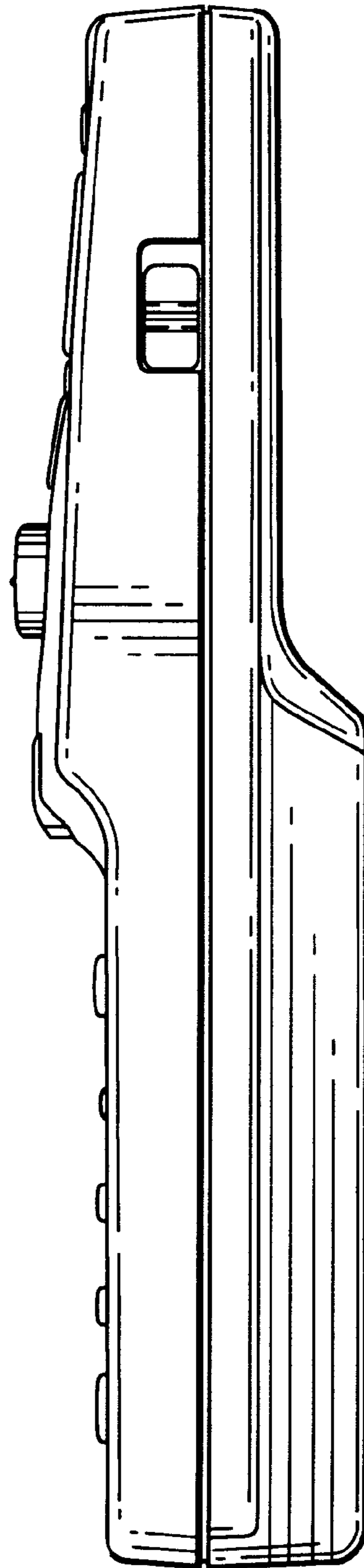


FIG. 4

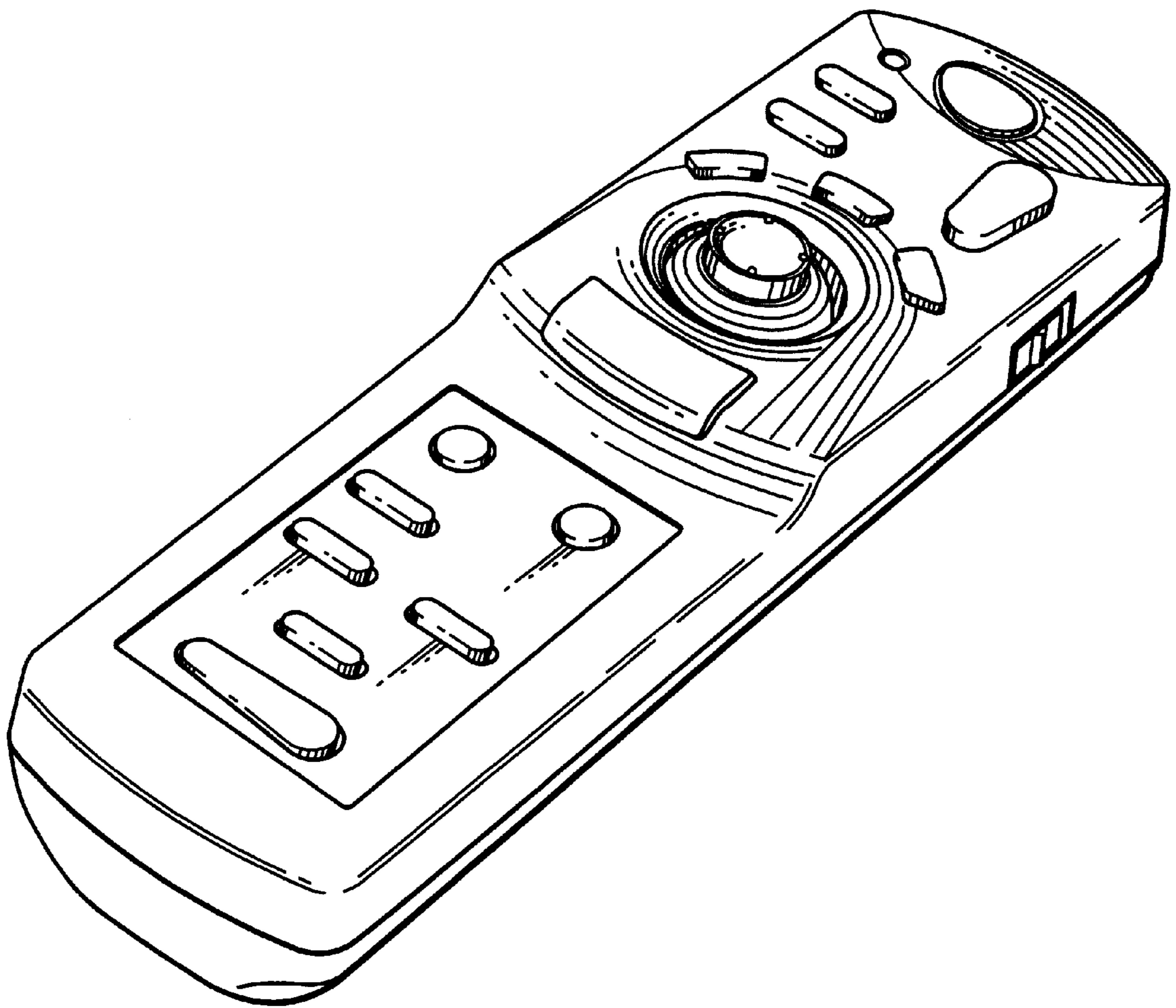


FIG. 7