



US00D463404S

(12) **United States Design Patent**  
**Sadatsuki**

(10) **Patent No.:** **US D463,404 S**

(45) **Date of Patent:** **\*\* Sep. 24, 2002**

(54) **REMOTE CONTROLLER**

(75) Inventor: **Koichi Sadatsuki**, Tokyo (JP)

(73) Assignee: **Sony Corporation**, Tokyo (JP)

(\*\*) Term: **14 Years**

(21) Appl. No.: **29/144,685**

(22) Filed: **Jul. 10, 2001**

(51) **LOC (7) Cl.** ..... **14-03**

(52) **U.S. Cl.** ..... **D14/218**

(58) **Field of Search** ..... D10/1, 21-24,  
D10/26, 40, 104, 106; 455/352-355, 151.1-151.4;  
D21/512-517, 566; D14/174, 217, 218,  
137-139, 155, 124, 299, 191-193, 167,  
168; D13/168, 162-164

D431,544 S 10/2000 Kobayashi  
D433,672 S 11/2000 Kobayashi  
D440,206 S \* 4/2001 Carroll et al. .... D13/162  
D443,869 S 6/2001 Shintani

**OTHER PUBLICATIONS**

Catalog, "Network Walkman", p. 15, Sony Corporation, Nov. 2000.

\* cited by examiner

*Primary Examiner*—Louis S. Zarfes

*Assistant Examiner*—Deanne Levy

(74) *Attorney, Agent, or Firm*—Rader, Fishman & Grauer, PLLC

(57) **CLAIM**

The ornamental design for a remote controller, as shown and described.

(56) **References Cited**

**U.S. PATENT DOCUMENTS**

D274,048 S	*	5/1984	Wong et al. ....	D10/106
D371,126 S	*	6/1996	Bro .....	D14/138
D371,793 S	*	7/1996	Patton .....	D14/218
D376,800 S		12/1996	Shudo	
D383,983 S	*	9/1997	Steinhagen et al. ....	D10/22
D412,676 S	*	8/1999	Layes .....	D10/106
D413,889 S	*	9/1999	Nakano .....	D14/168
D418,837 S	*	1/2000	Ishii .....	D14/218
D421,975 S	*	3/2000	Steel .....	D14/217

**DESCRIPTION**

FIG. 1 is a perspective view of a remote controller showing my new design;

FIG. 2 is a front elevational view thereof;

FIG. 3 is a rear elevational view thereof;

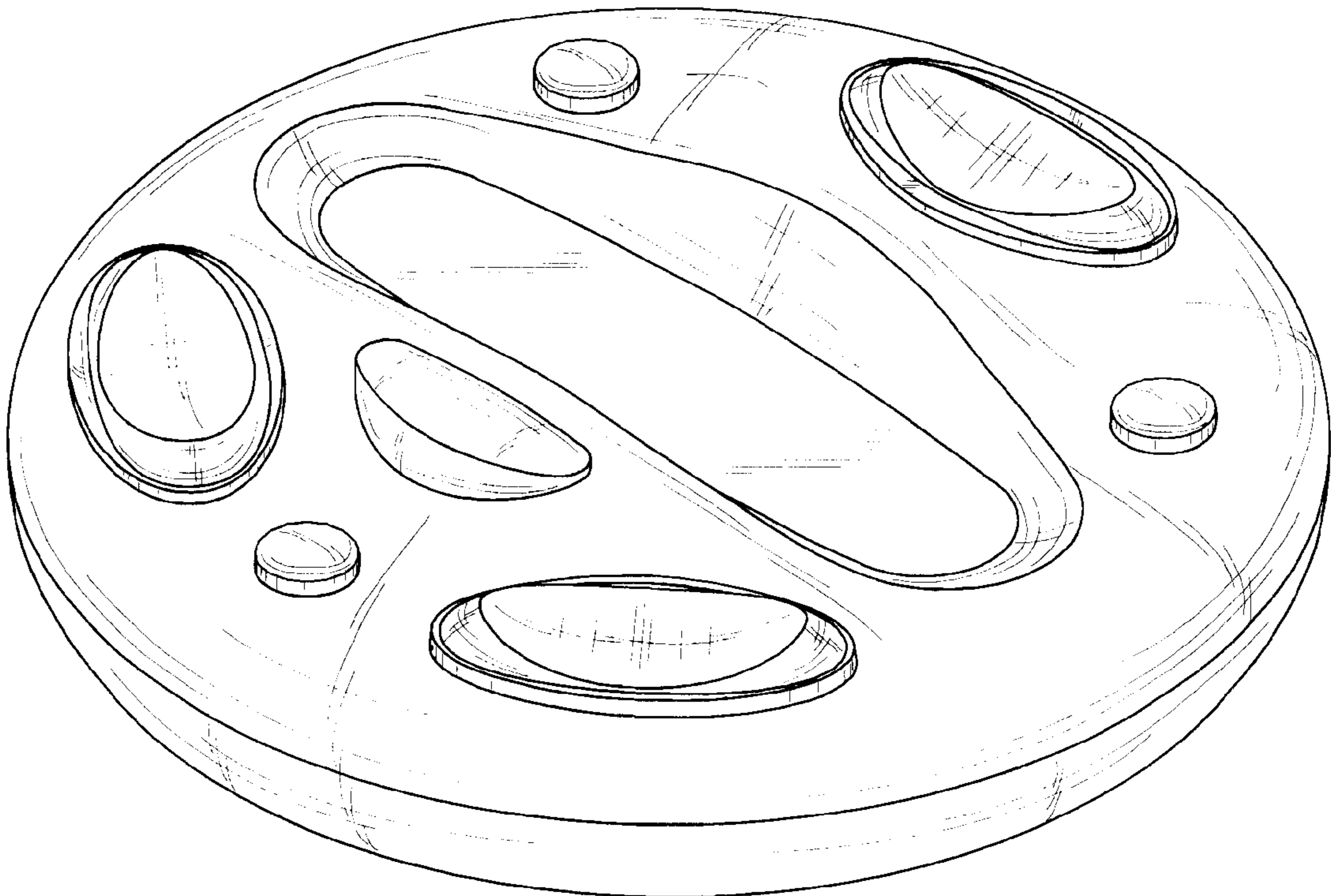
FIG. 4 is a left side elevational view thereof;

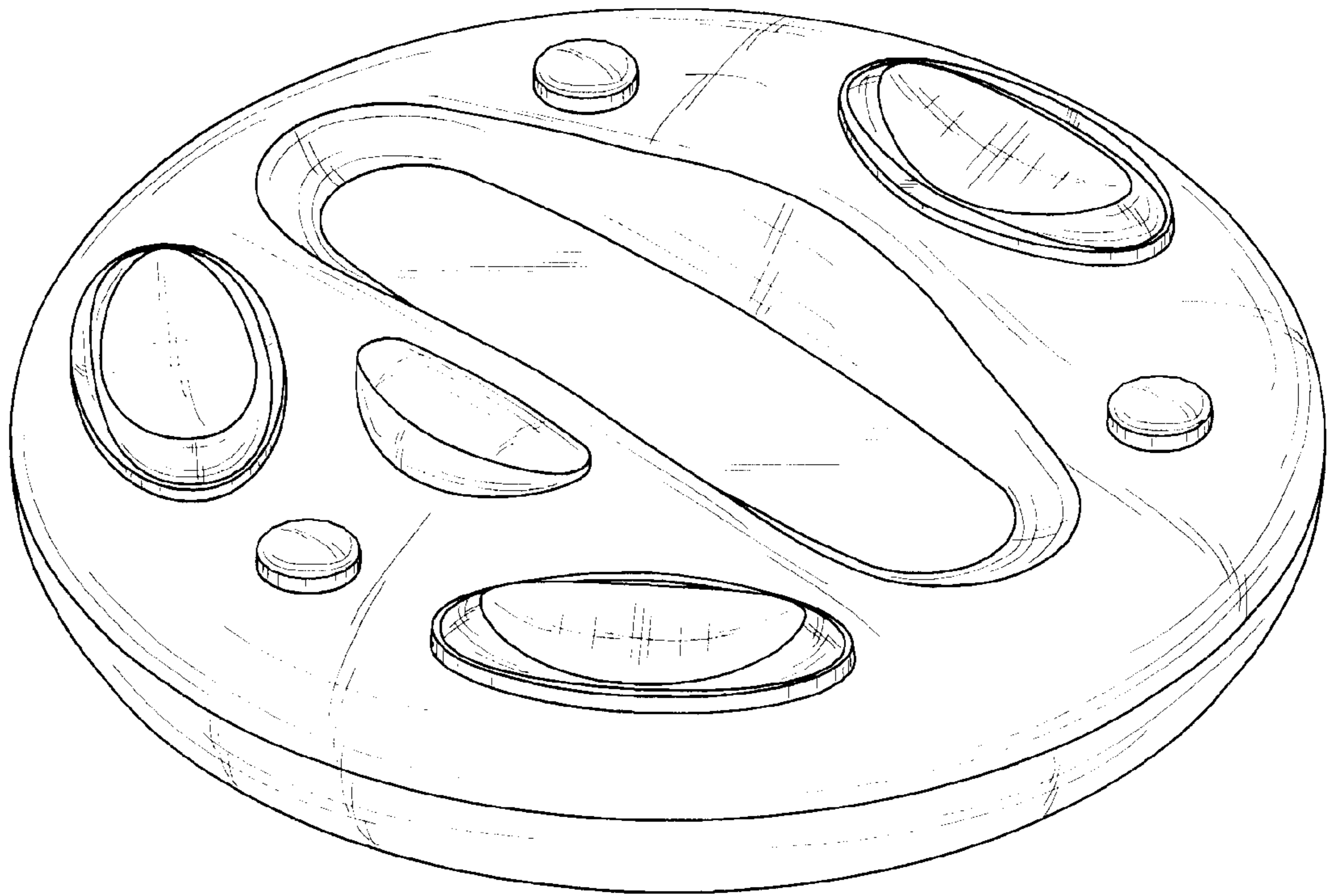
FIG. 5 is a right side elevational view thereof;

FIG. 6 is a top plan view thereof; and,

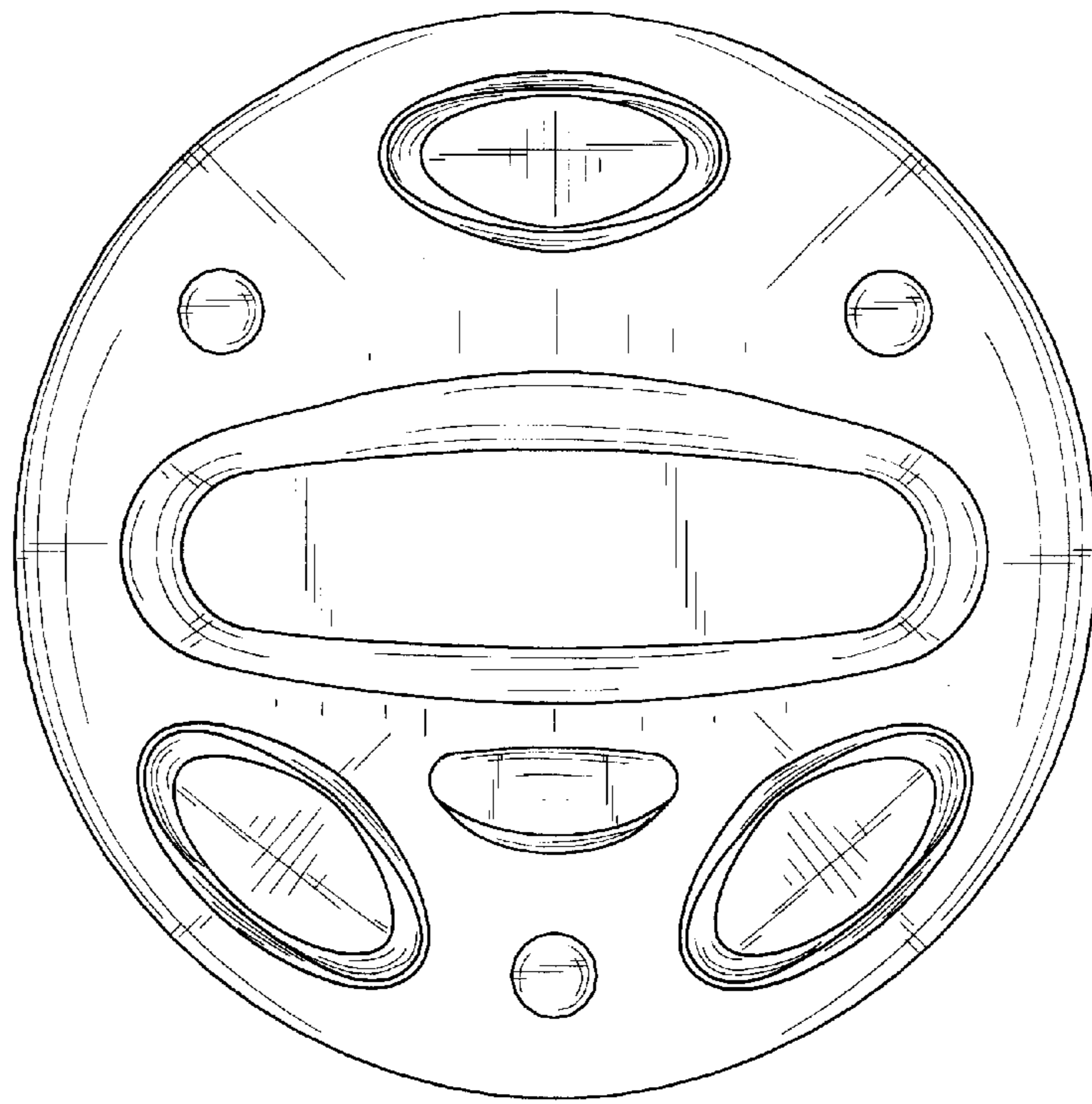
FIG. 7 is a bottom plan view thereof.

**1 Claim, 4 Drawing Sheets**

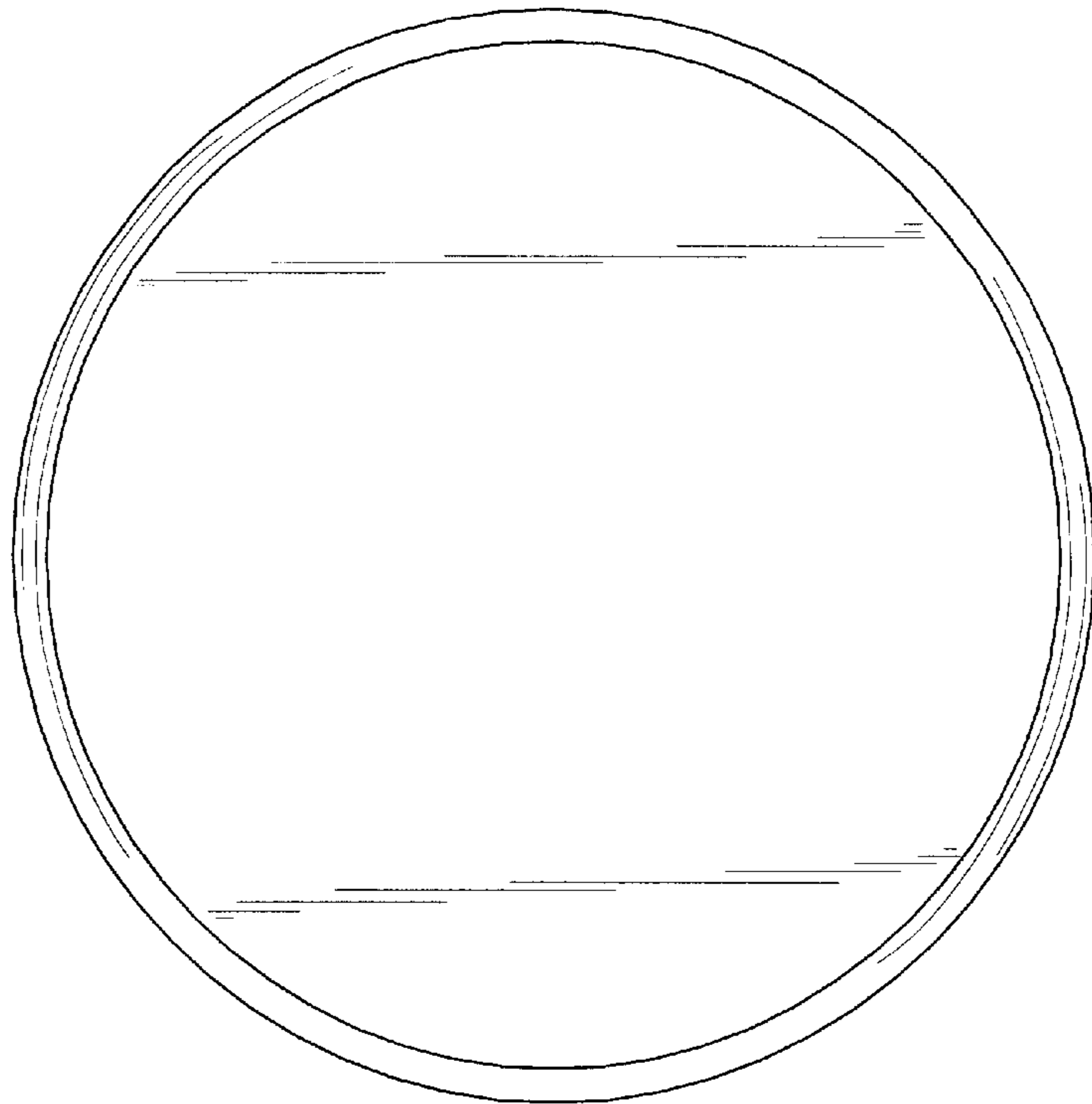




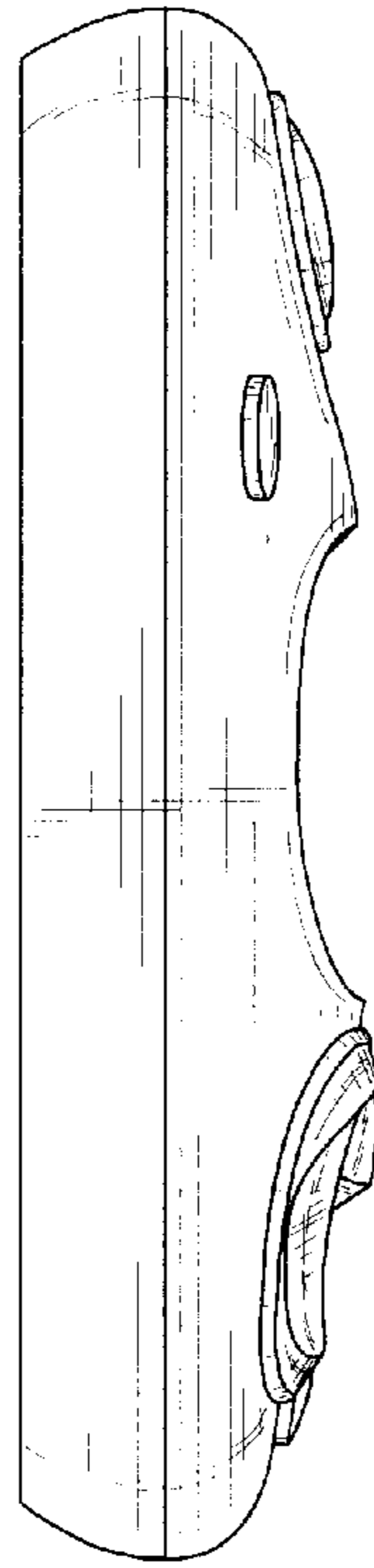
**Fig. 1**



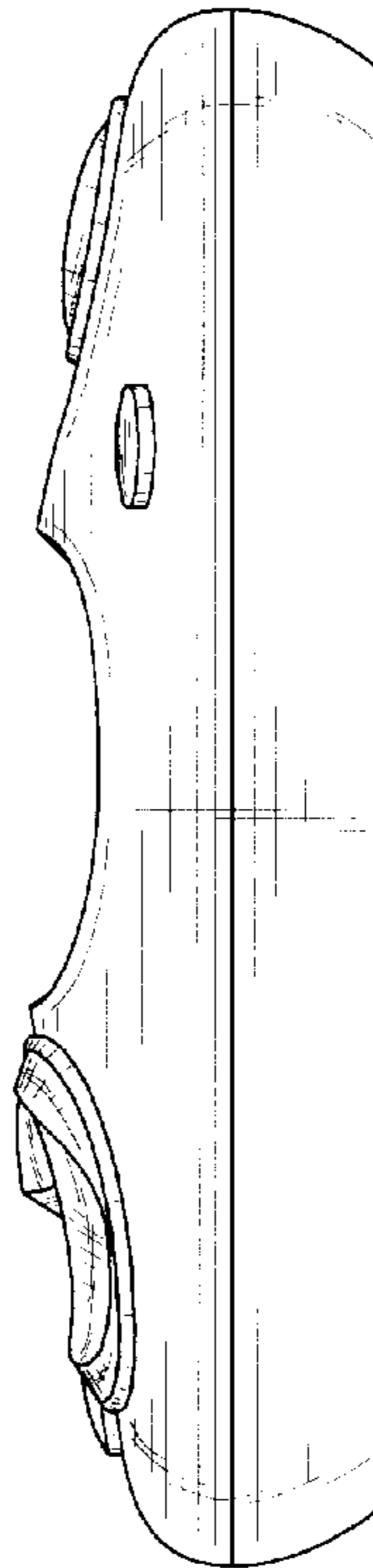
**Fig. 2**



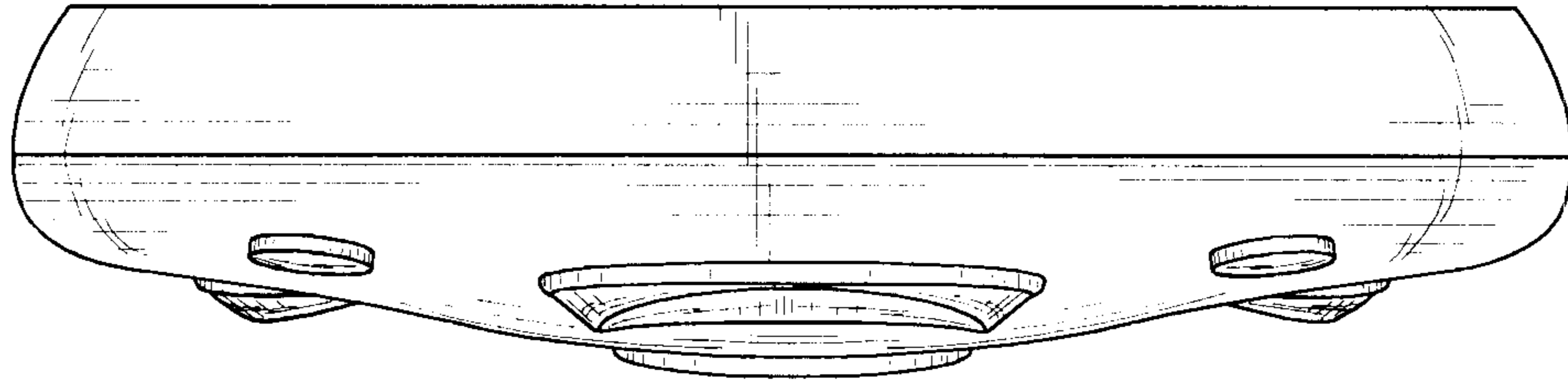
**Fig. 3**



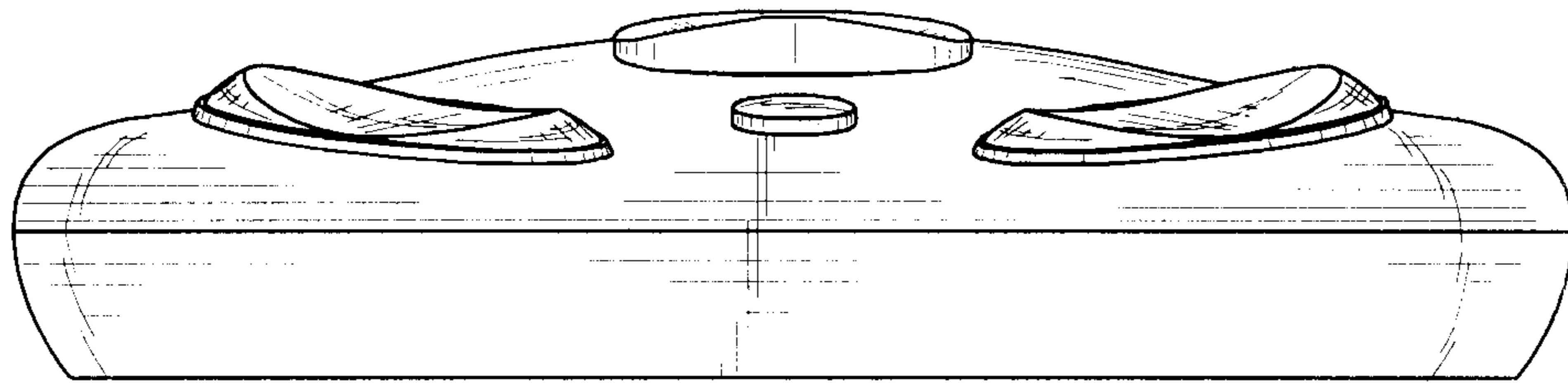
**Fig. 4**



**Fig. 5**



**Fig. 6**



**Fig. 7**