



US00D463401S

(12) **United States Design Patent**
Miyazaki

(10) **Patent No.:** **US D463,401 S**

(45) **Date of Patent:** **** Sep. 24, 2002**

(54) **EDITING CONTROL UNIT FOR AUDIO OR VIDEO DEVICE**

D421,975 S 3/2000 Steel
D429,233 S 8/2000 Komiyama
D430,135 S 8/2000 Isonaga

(75) Inventor: **Tetsuro Miyazaki**, Tokyo (JP)

OTHER PUBLICATIONS

(73) Assignee: **Sony Corporation**, Tokyo (JP)

“Video Equipment 2000”, p. 36 (DSRAM-10), Sony, Jan. 2000.

(**) Term: **14 Years**

* cited by examiner

(21) Appl. No.: **29/146,461**

Primary Examiner—Nanda Bondade

(22) Filed: **Aug. 10, 2001**

(74) *Attorney, Agent, or Firm*—Rader, Fishman, and Grauer, PLLC

Related U.S. Application Data

(62) Division of application No. 29/125,532, filed on Jun. 22, 2000, now Pat. No. Des. 449,292.

(57) **CLAIM**

The ornamental design for an editing control unit for an audio or video device, as shown and described.

(51) **LOC (7) Cl.** **14-99**

DESCRIPTION

(52) **U.S. Cl.** **D14/217**

(58) **Field of Search** D14/217, 239, D14/257, 399, 432, 454, 456, 299; D13/162; 345/160, 167, 168

FIG. 1 is a perspective view of the front portion of an editing control unit for an audio or video device showing my new design;

FIG. 2 is a top plan view thereof;

FIG. 3 is a bottom plan view thereof;

FIG. 4 is a left side elevational view thereof;

FIG. 5 is a right side elevational view thereof; and,

FIG. 6 is a front elevational view thereof.

A rear elevational view thereof is not a part of claimed design. Portions in broken lines are for illustrative purposes only and form no part of claimed design.

(56) **References Cited**

U.S. PATENT DOCUMENTS

- D341,833 S * 11/1993 MacKay et al. D14/217
- D349,290 S 8/1994 Christensen et al.
- D366,261 S 1/1996 Splane, Jr. et al.
- D372,249 S * 7/1996 Pinchuk D14/299
- D378,212 S 2/1997 Sirois et al.
- D405,796 S 2/1999 Uehara
- D408,821 S 4/1999 Takahashi

1 Claim, 4 Drawing Sheets

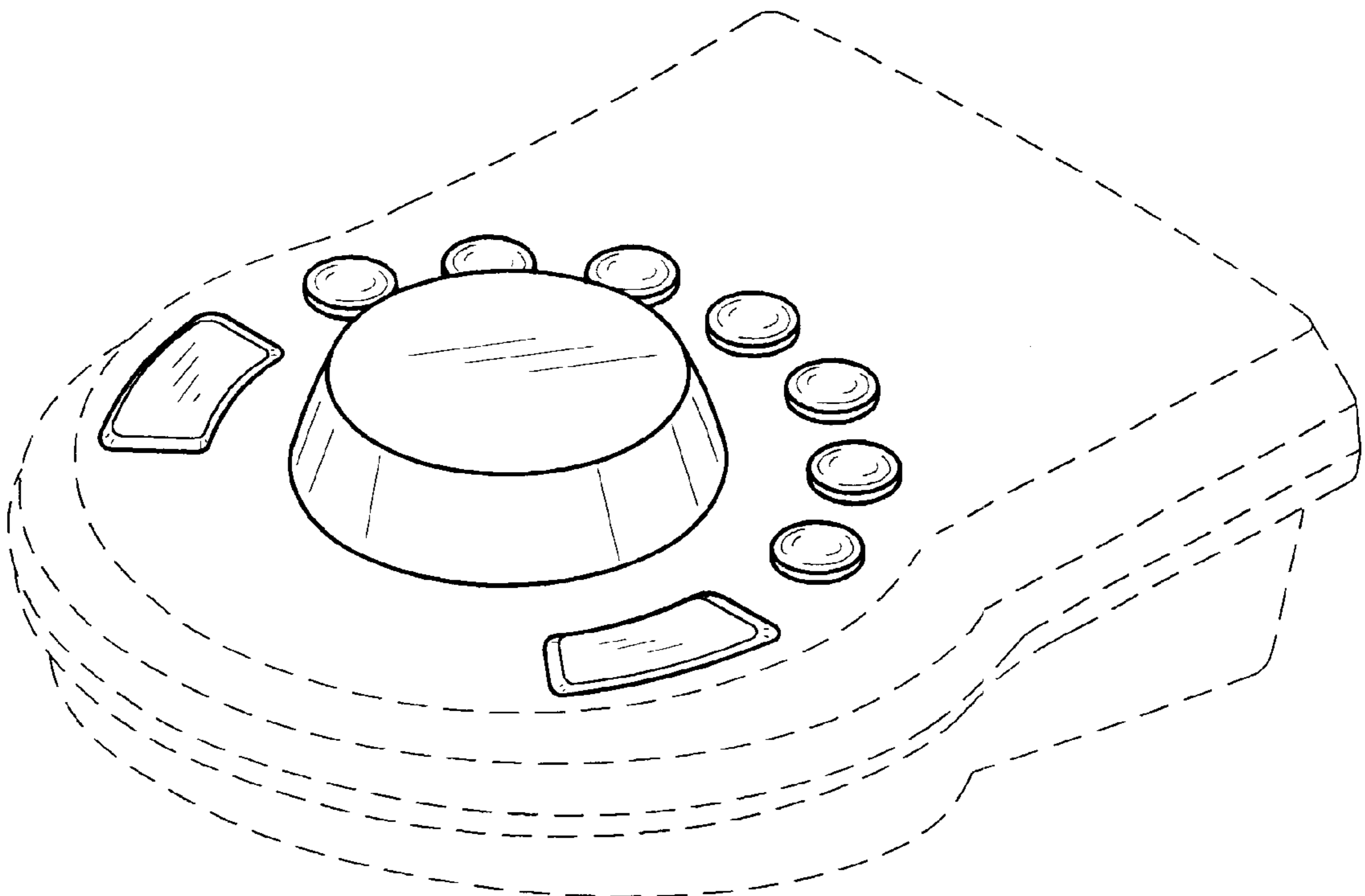


FIG. 1

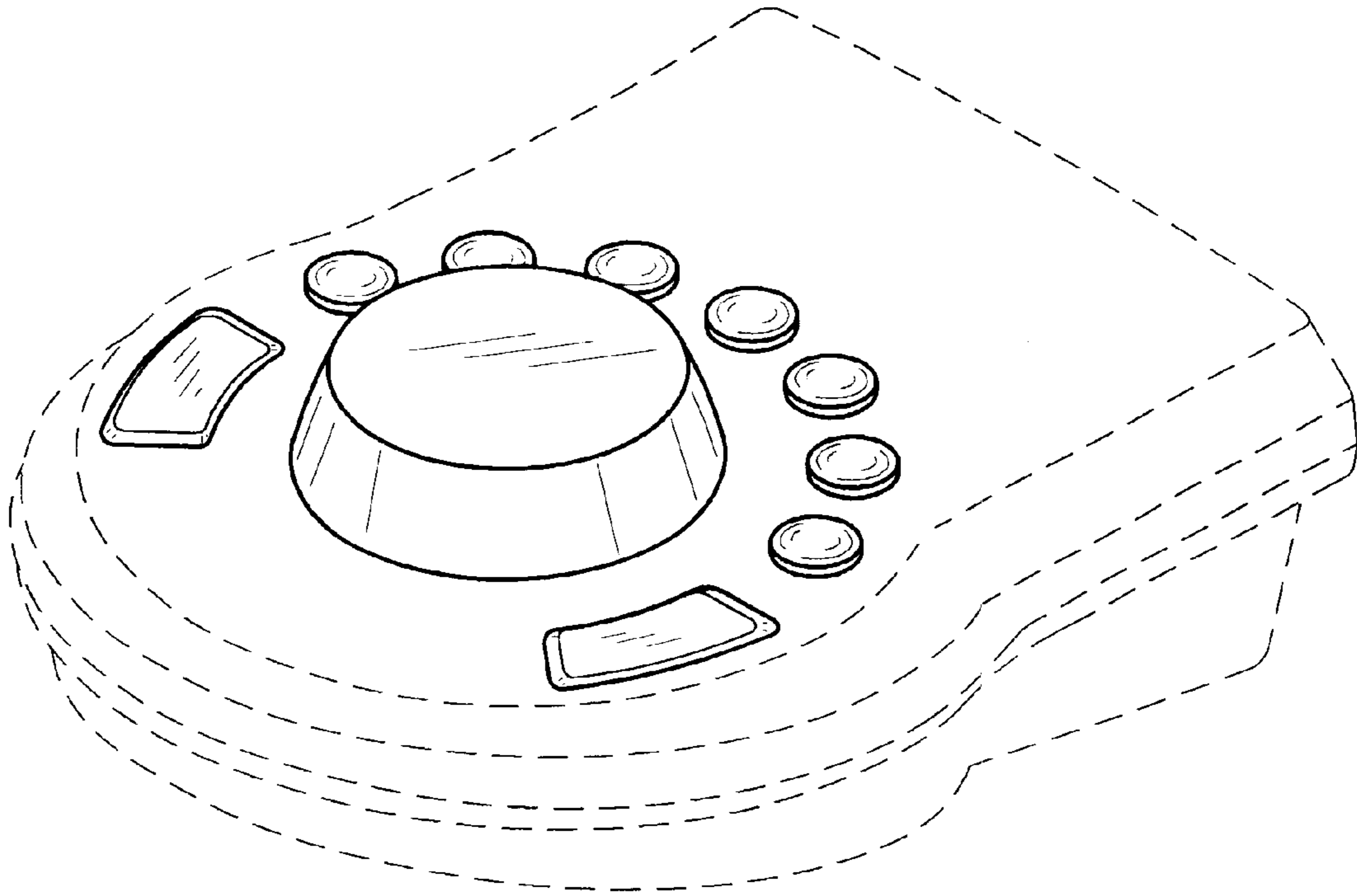


FIG. 2

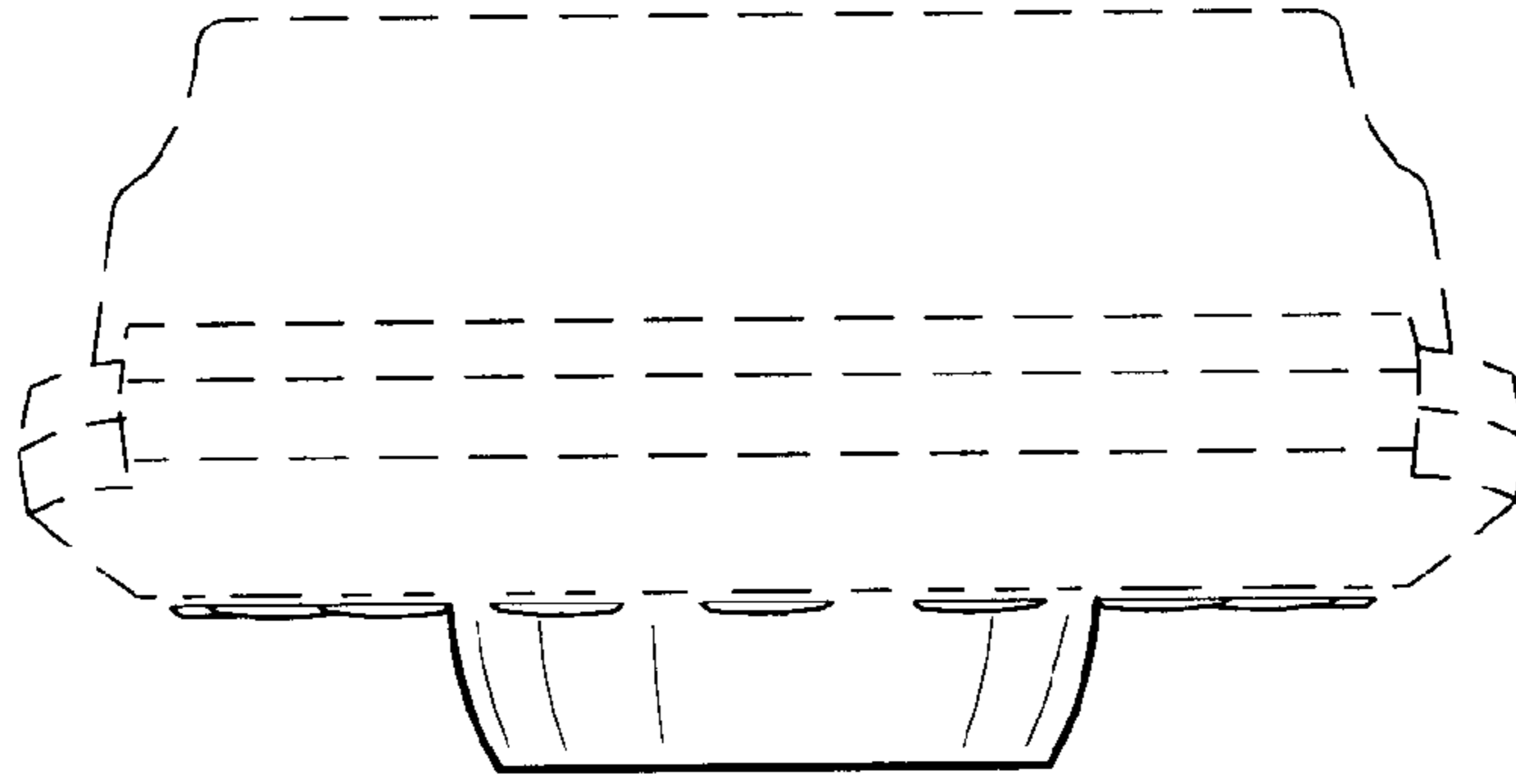


FIG. 3

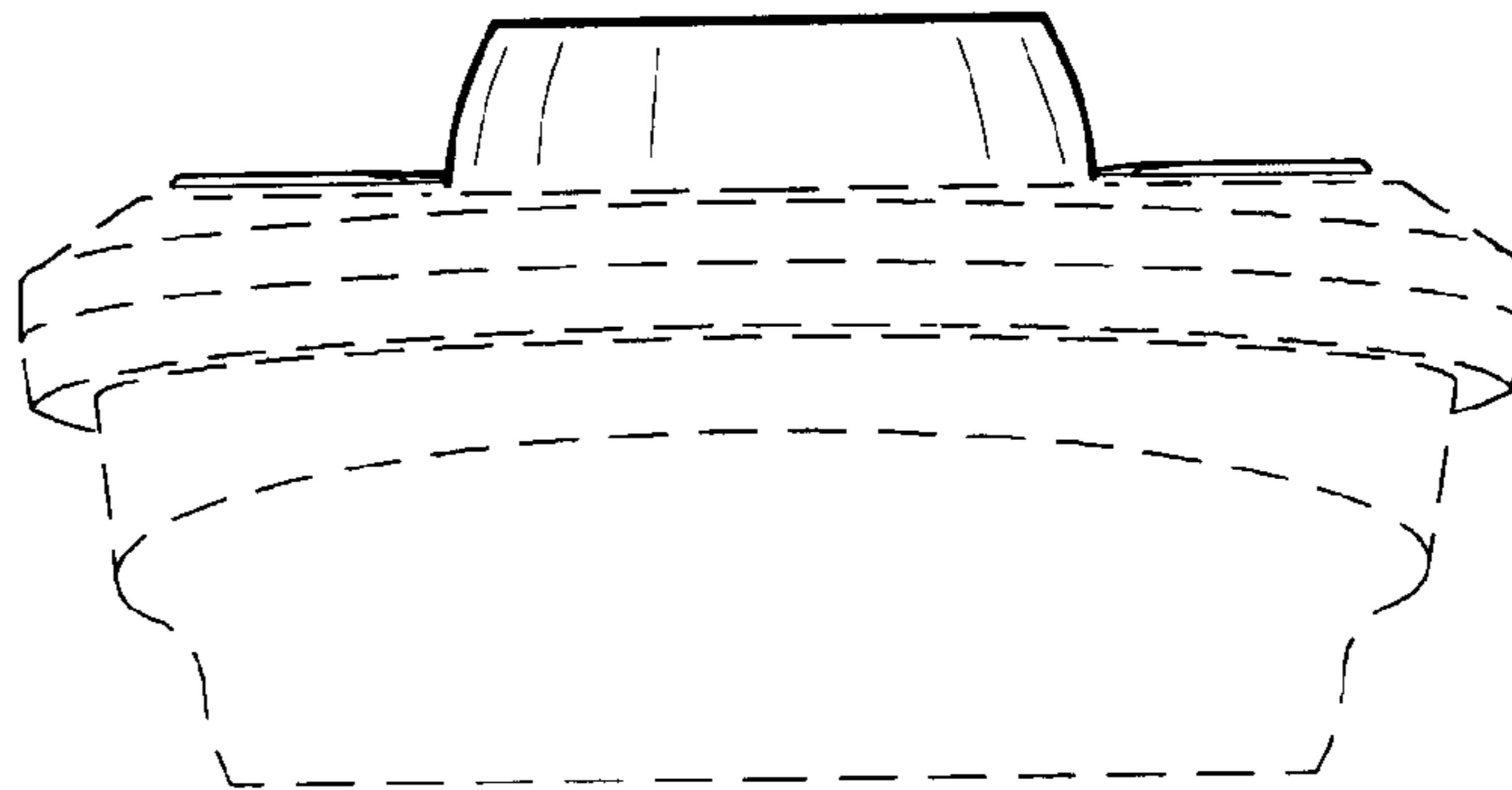


FIG. 4

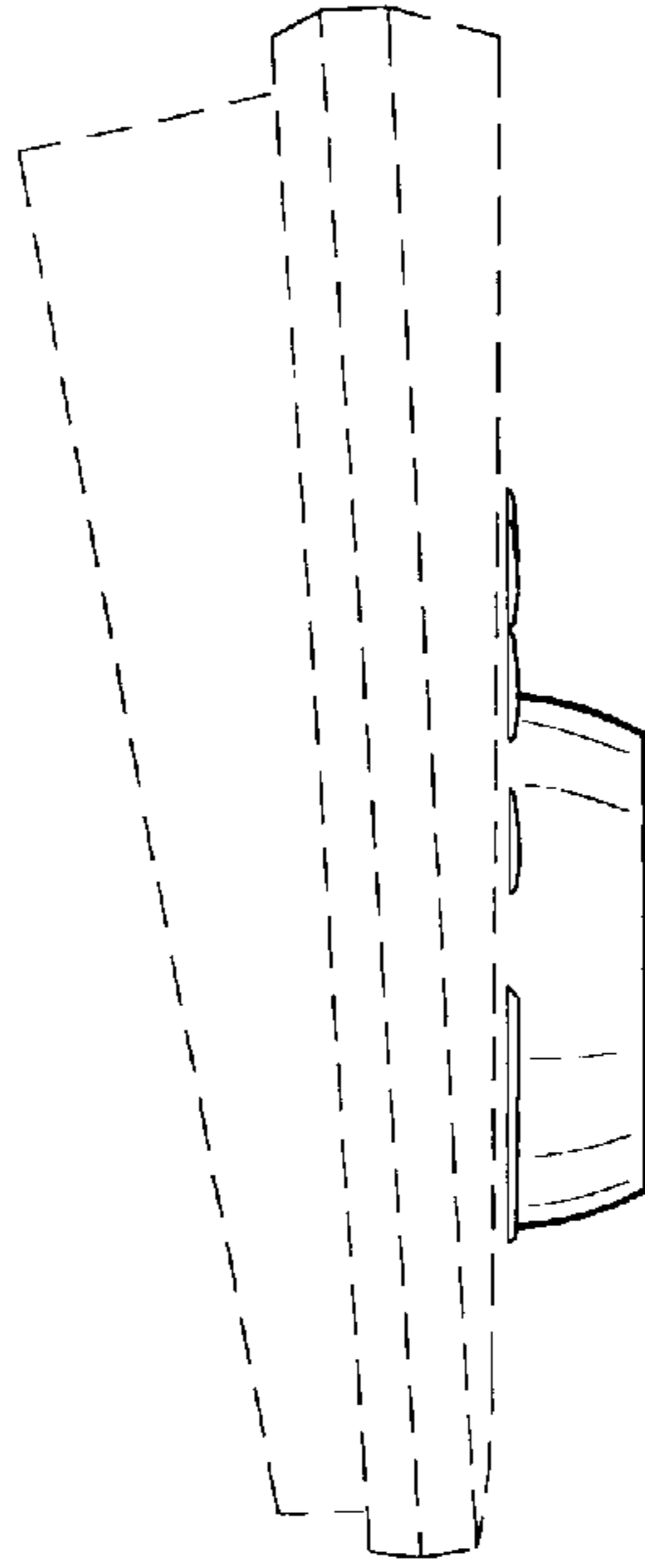


FIG. 5

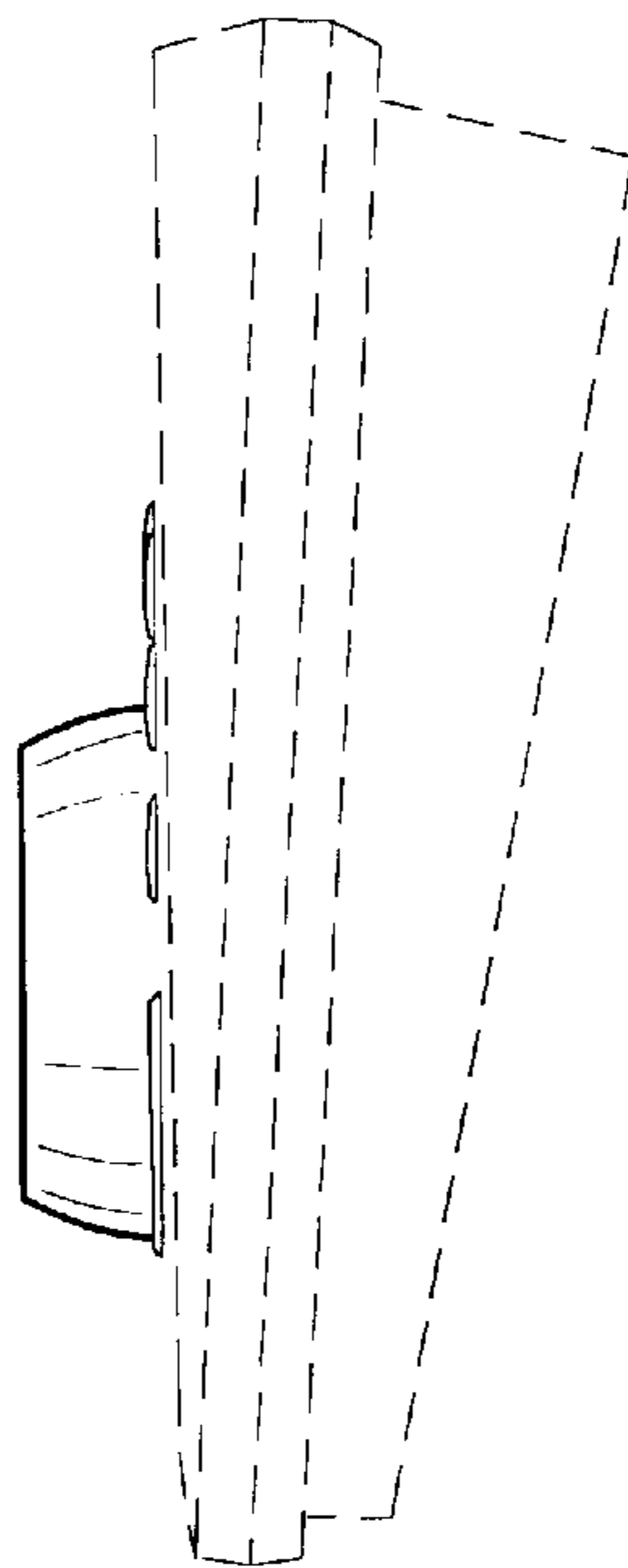


FIG. 6

