



US00D463400S

(12) **United States Design Patent**
Narita

(10) **Patent No.:** **US D463,400 S**

(45) **Date of Patent:** **** Sep. 24, 2002**

(54) **SPEAKER BOX**

(75) Inventor: **Hisanori Narita**, Tokyo (JP)

(73) Assignee: **Sony Corporation**, Tokyo (JP)

(**) Term: **14 Years**

(21) Appl. No.: **29/145,412**

(22) Filed: **Jul. 24, 2001**

(51) **LOC (7) Cl.** **14-01**

(52) **U.S. Cl.** **D14/214**

(58) **Field of Search** D14/204, 207-216;
181/144-145, 147-148, 150, 152, 157,
198-199; 381/300-302, 307, 359, 361-364,
386

(56) **References Cited**

U.S. PATENT DOCUMENTS

4,267,405	A	*	5/1981	Russell	381/305
D355,418	S	*	2/1995	Parsey	D14/214
D368,710	S	*	4/1996	Althans	D14/214
D410,651	S		6/1999	Suzuki		
D435,035	S		12/2000	Kumagai et al.		

OTHER PUBLICATIONS

Catalog "Sony Vaio PCV-RX70K, RX60K,RX50", p. 23, Sony Corporation (Oct. 2000).

Catalog "96", p. 174, Sony Corporation (Nov. 2000).

* cited by examiner

Primary Examiner—Nanda Bondade

(74) *Attorney, Agent, or Firm*—Rader, Fishman & Grauer, PLLC

(57) **CLAIM**

The ornamental design for a speaker box, as shown and described.

DESCRIPTION

FIG. 1 is a perspective view of a speaker box showing my new design;

FIG. 2 is a front elevational view thereof;

FIG. 3 is a rear elevational view thereof;

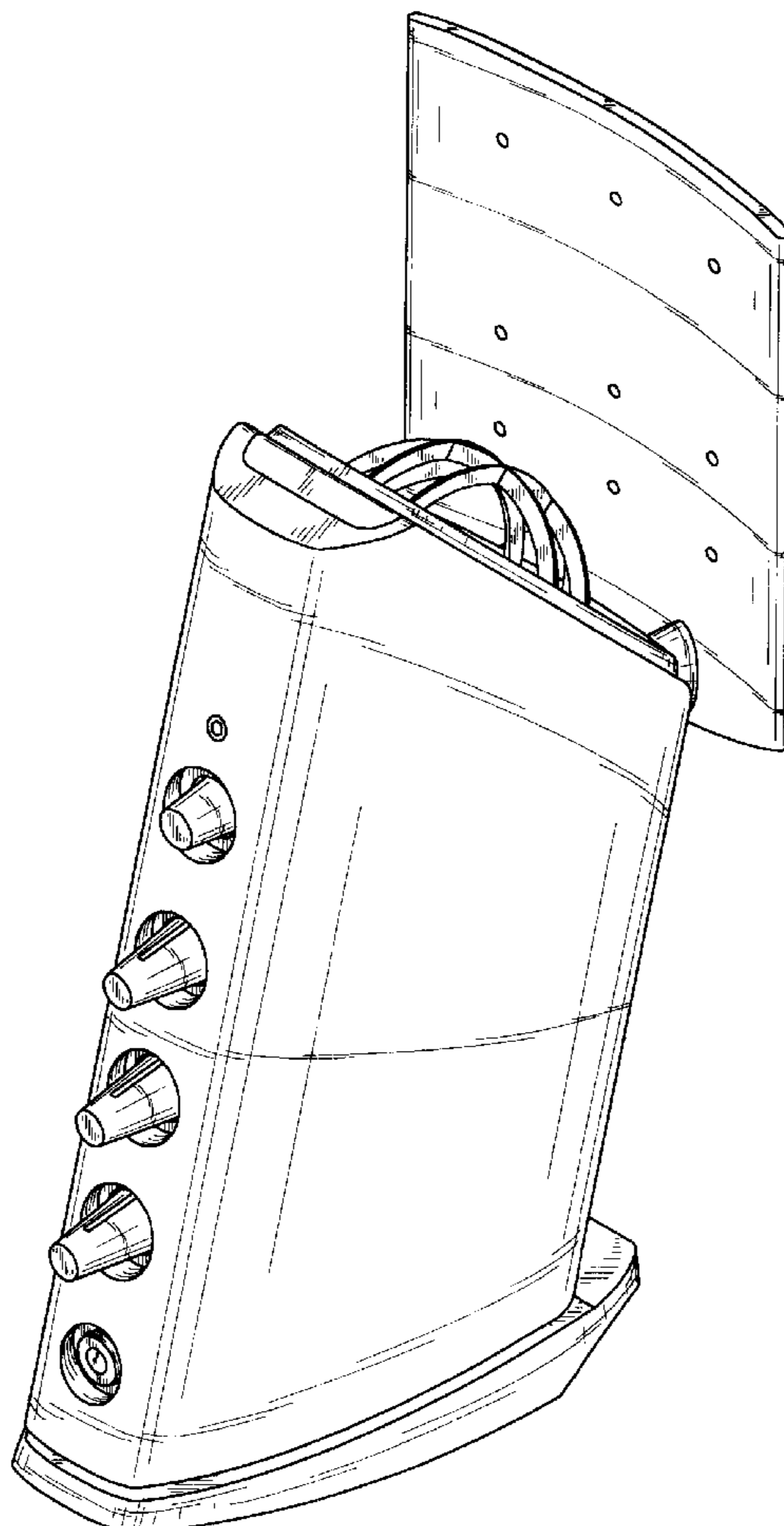
FIG. 4 is a left side elevational view thereof;

FIG. 5 is a right side elevational view thereof;

FIG. 6 is a top plan view thereof; and,

FIG. 7 is a bottom plan view thereof.

1 Claim, 4 Drawing Sheets



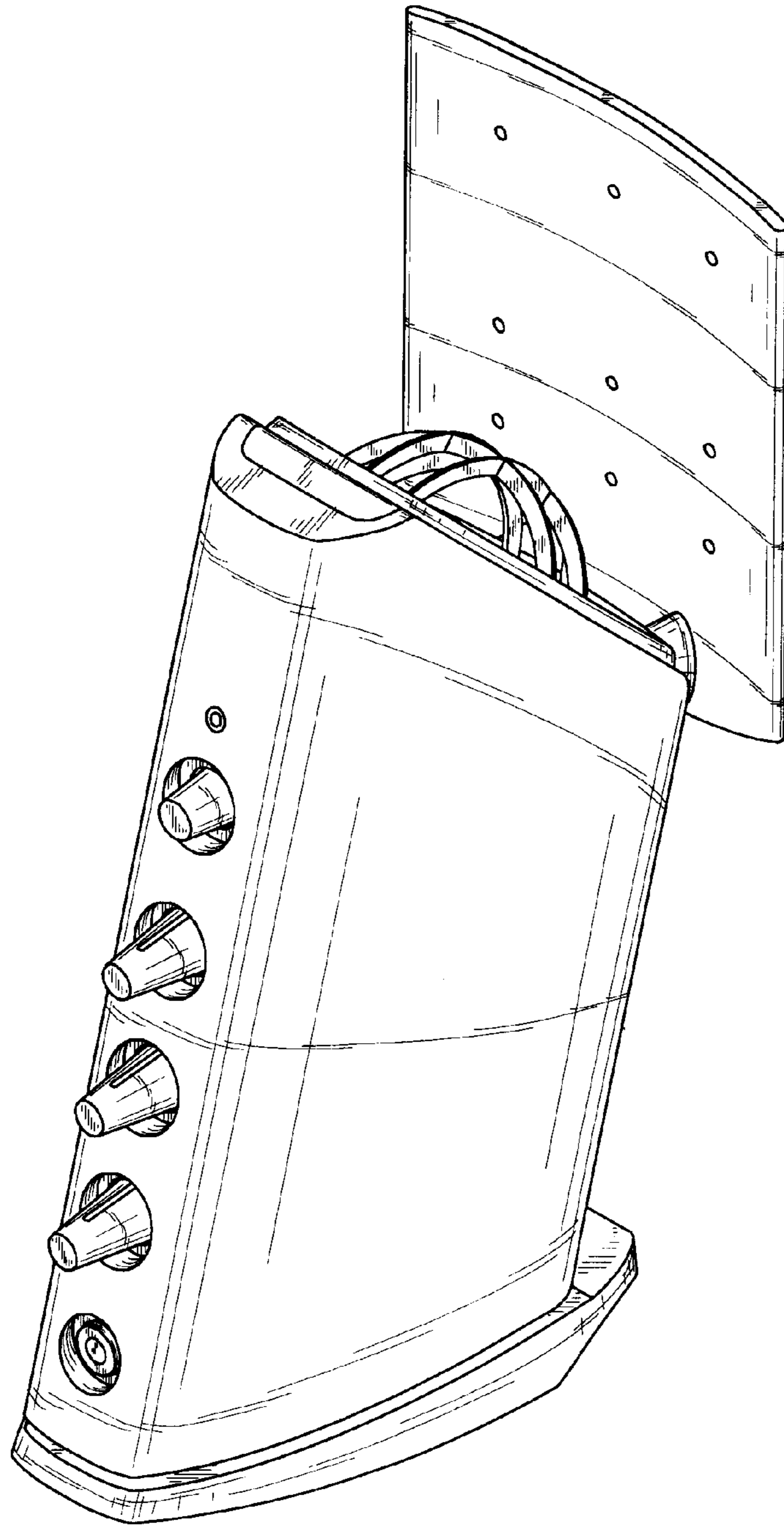


Fig. 1

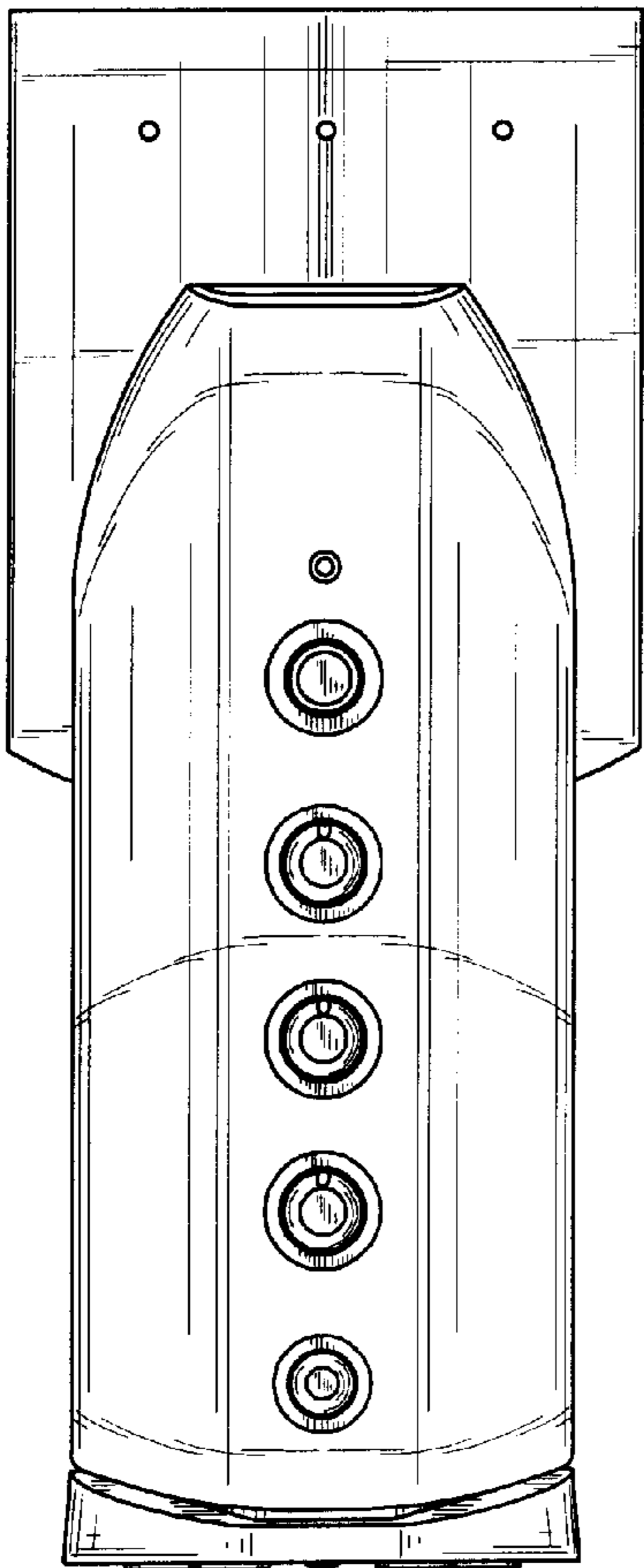


Fig. 2

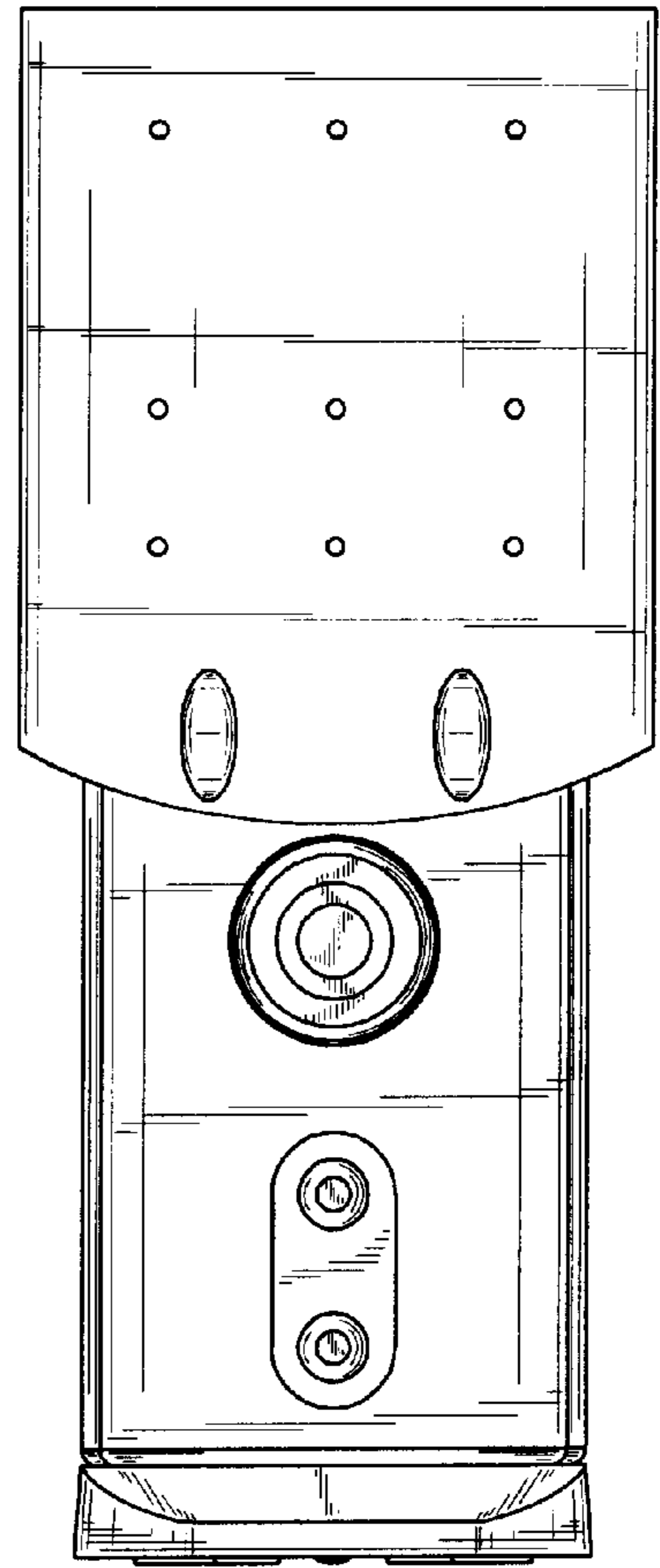


Fig. 3

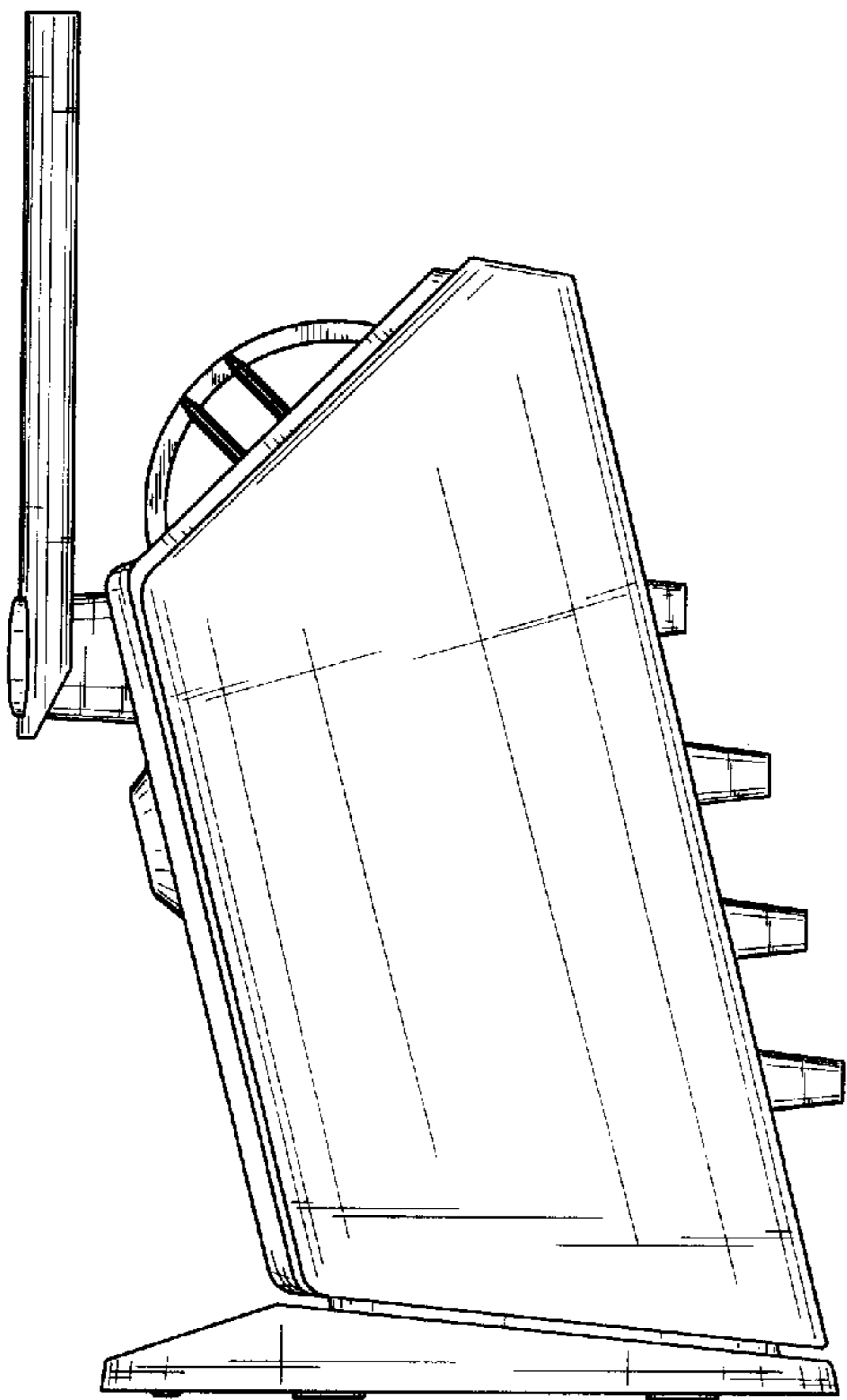


Fig. 4

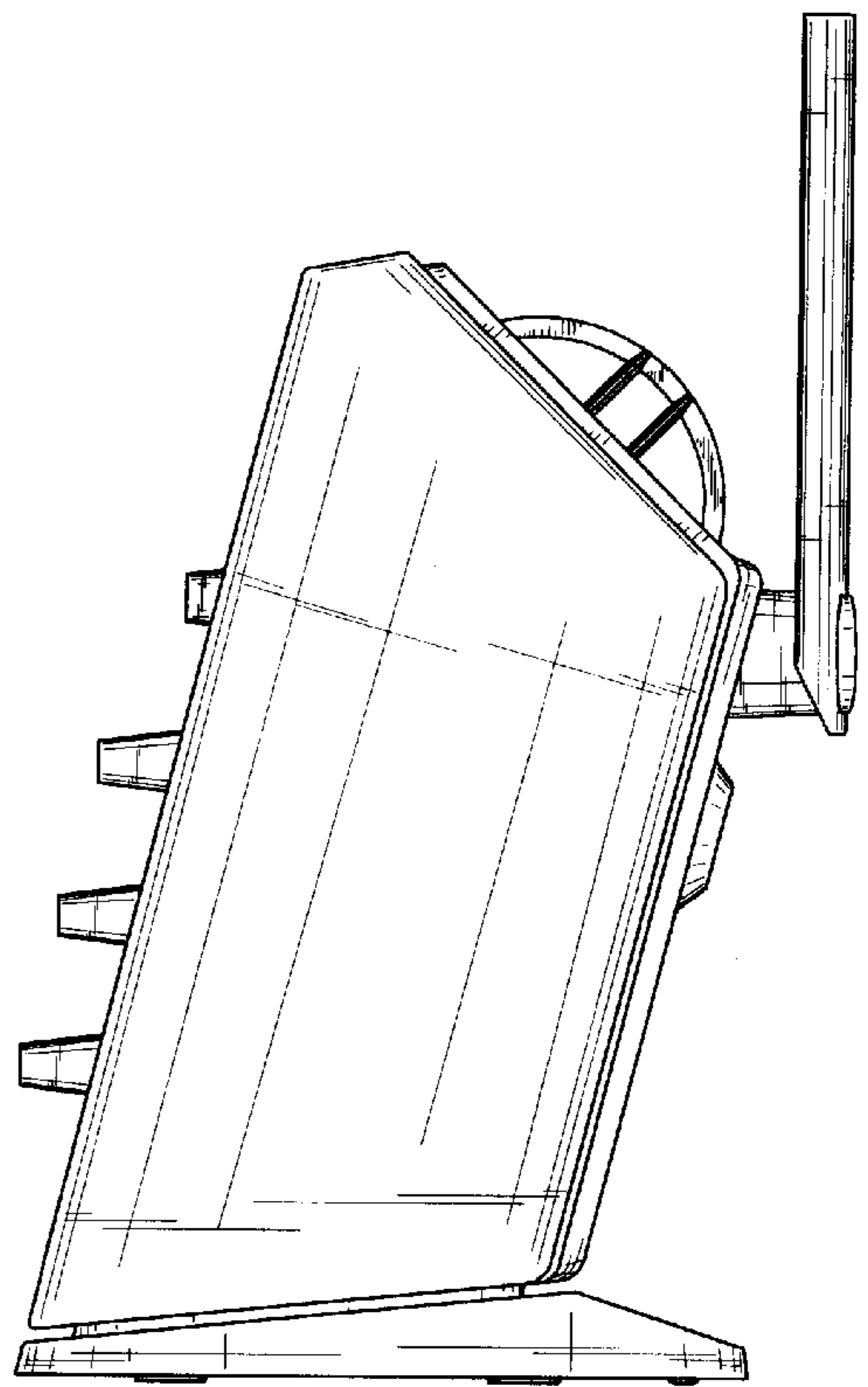


Fig. 5

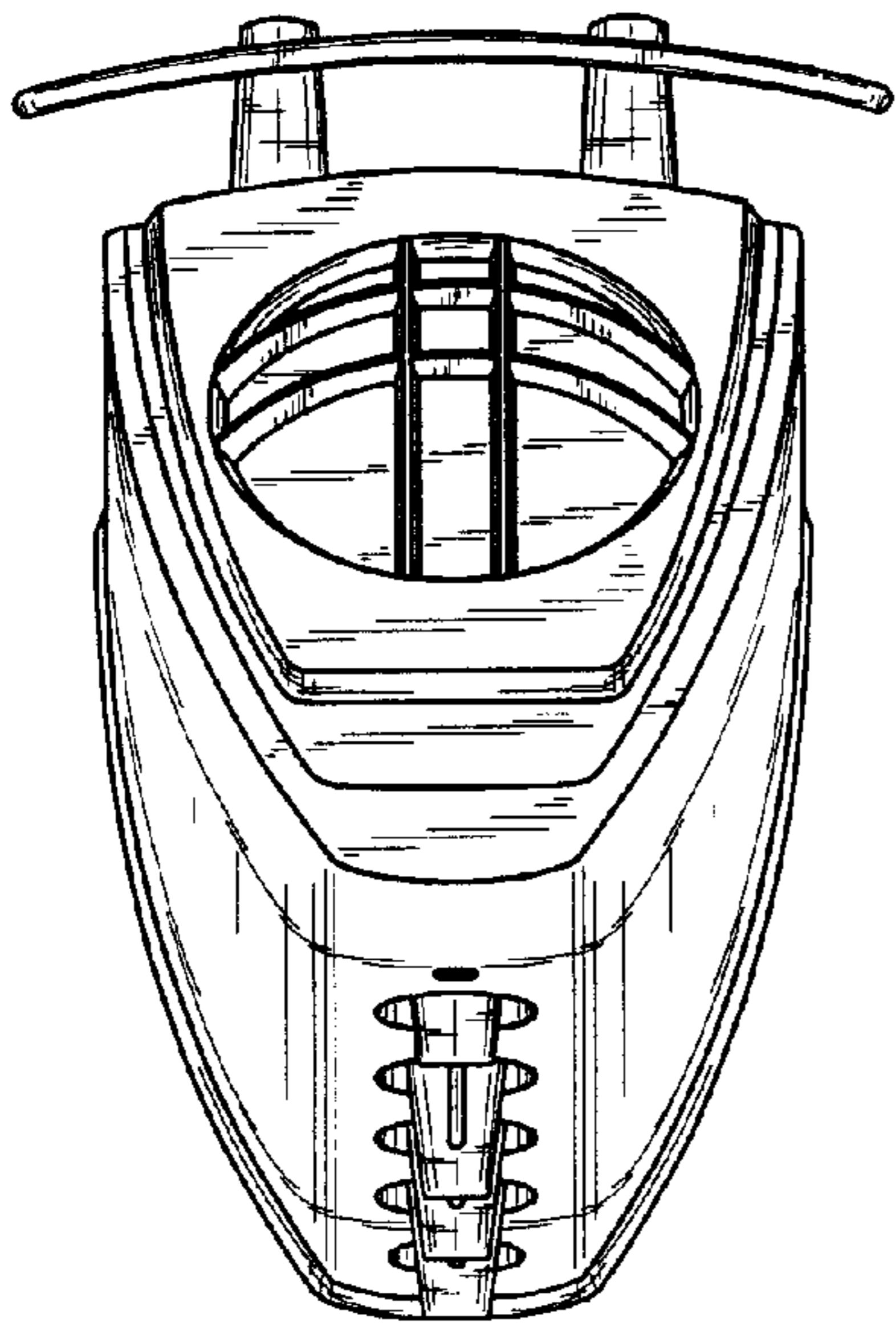


Fig. 6

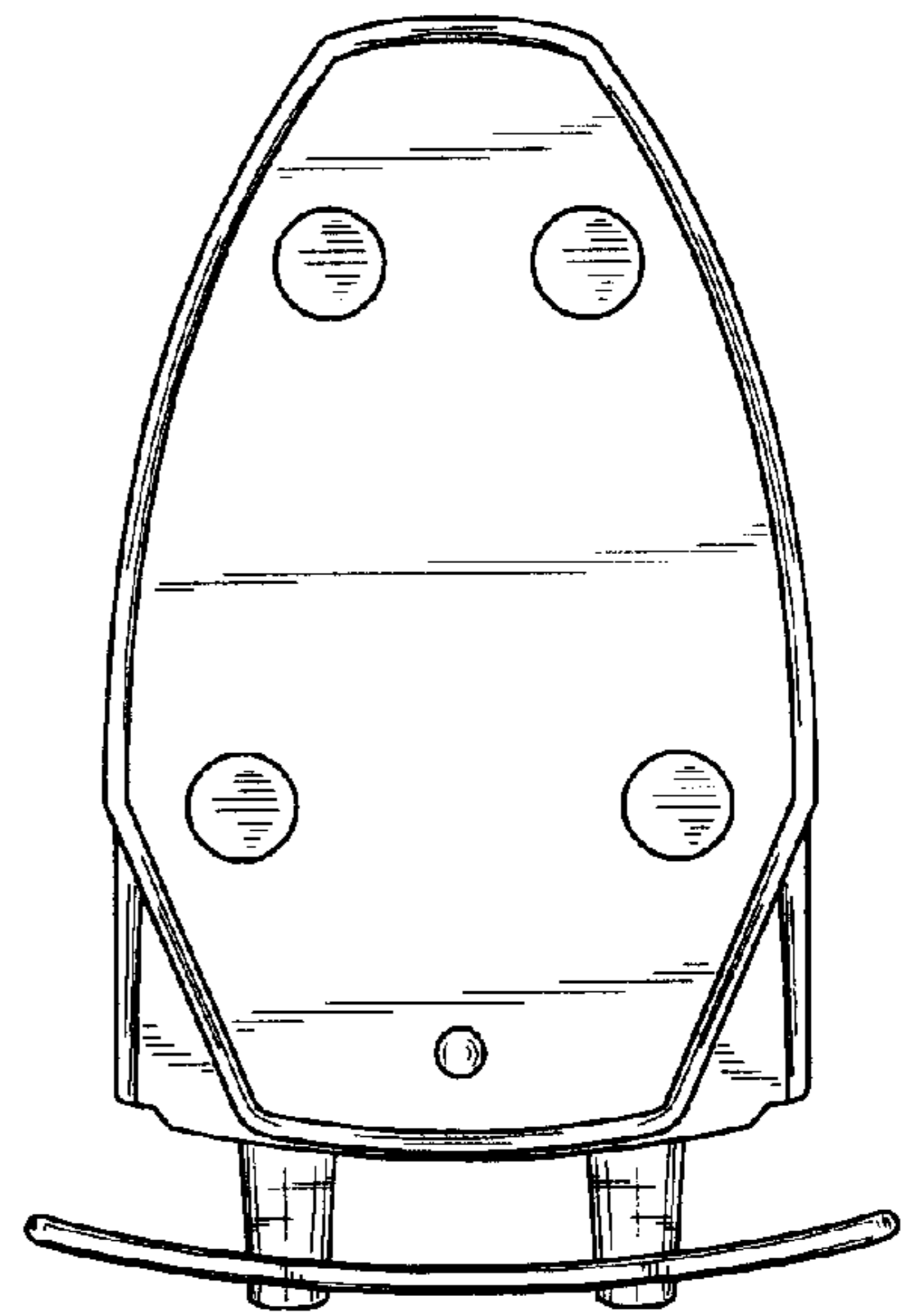


Fig. 7