



US00D463398S

(12) **United States Design Patent**
Rath

(10) **Patent No.:** **US D463,398 S**

(45) **Date of Patent:** **** Sep. 24, 2002**

(54) **DOUBLE SPRING BAND FOR A HEADSET**

D449,289 S * 10/2001 Weika et al. D14/206

(75) Inventor: **Klaus Rath**, Gentofte (DK)

(73) Assignee: **GN Netcom A/S**, Ballerup (DK)

(**) Term: **14 Years**

(21) Appl. No.: **29/144,796**

(22) Filed: **Jul. 10, 2001**

(30) **Foreign Application Priority Data**

Jan. 12, 2001 (DK) MA 2001 00059

(51) **LOC (7) Cl.** **14-01**

(52) **U.S. Cl.** **D14/206**

(58) **Field of Search** D14/205, 206,
D14/223, 142; 181/129, 130, 135; 379/430,
431; 381/381, 151, 183, 187

(56) **References Cited**

U.S. PATENT DOCUMENTS

- D287,849 S * 1/1987 O'Malley et al. D14/206
- D318,053 S * 7/1991 Ludeke et al. D14/206
- D346,802 S * 5/1994 Sacherman et al. D14/206
- D404,035 S * 1/1999 Delazker D14/206
- D410,921 S * 6/1999 Luchs et al. D14/142
- D448,751 S * 10/2001 Pham et al. D14/206

OTHER PUBLICATIONS

B. A. Pargh Company, Inc. 1990 Who Le Sale Catalog, Product No. MHB5241PTN, published in Japanese Design Section as document No. HD03009583.

* cited by examiner

Primary Examiner—Paula A. Mortimer

(74) *Attorney, Agent, or Firm*—Altera Law Group LLC

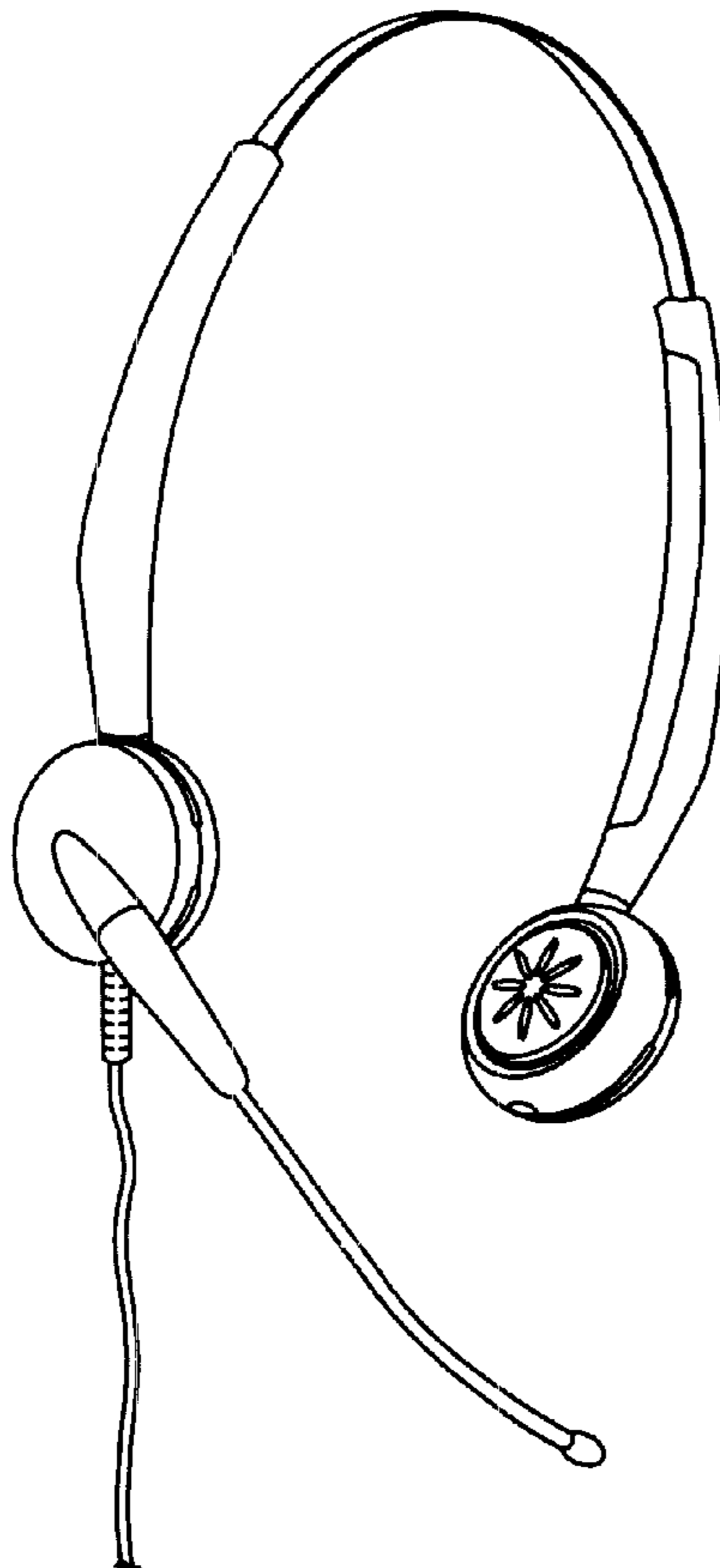
(57) **CLAIM**

The ornamental design for a double spring band for a headset, as shown and described.

DESCRIPTION

FIG. 1 is a perspective view of the double spring band for a headset showing my new design, the cord is drawn broken away for ease of illustration;
 FIG. 2 is a back view thereof;
 FIG. 3 is a left side view thereof;
 FIG. 4 is a front view thereof;
 FIG. 5 is a right side view thereof;
 FIG. 6 is a top view thereof; and,
 FIG. 7 is a bottom view thereof.

1 Claim, 2 Drawing Sheets



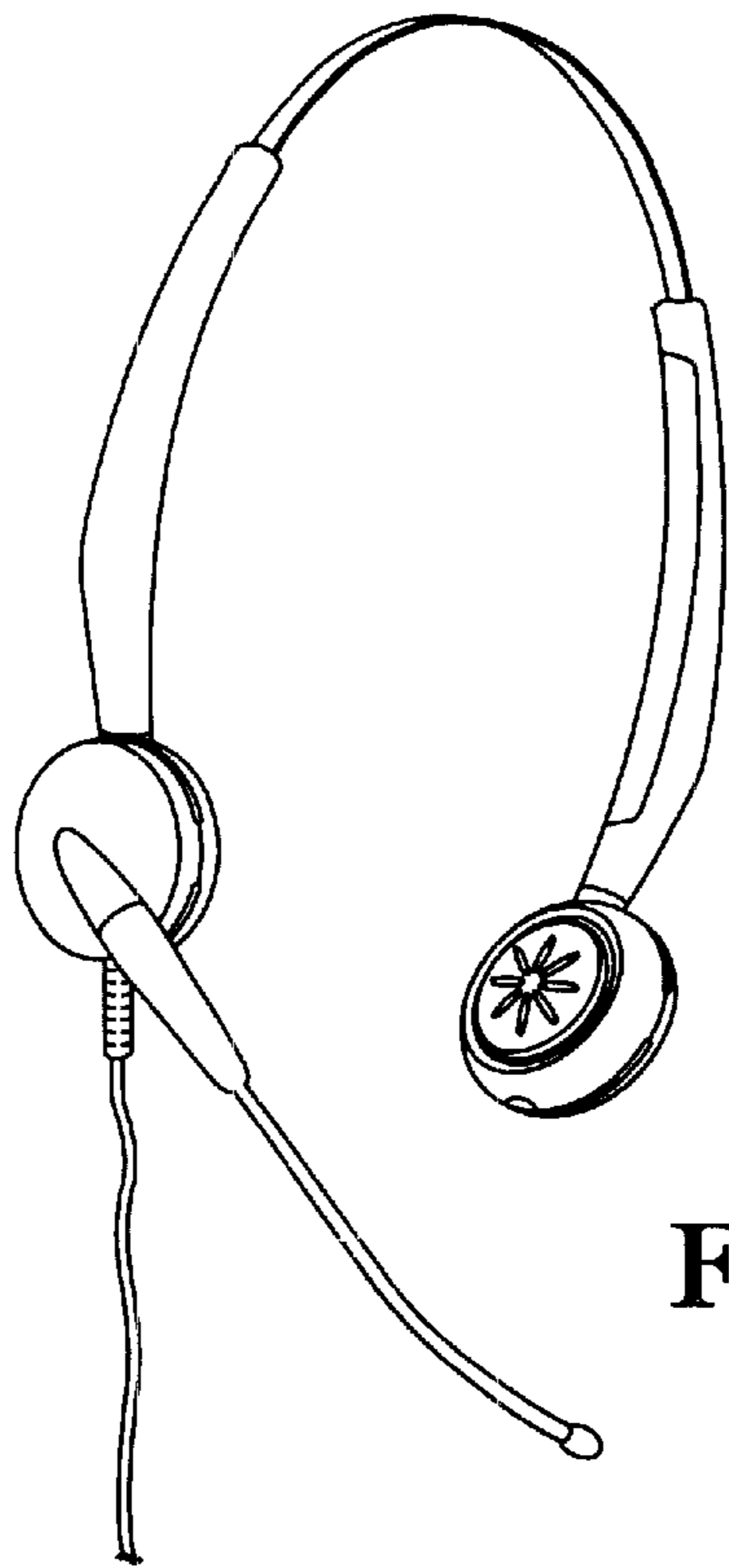


Fig. 1

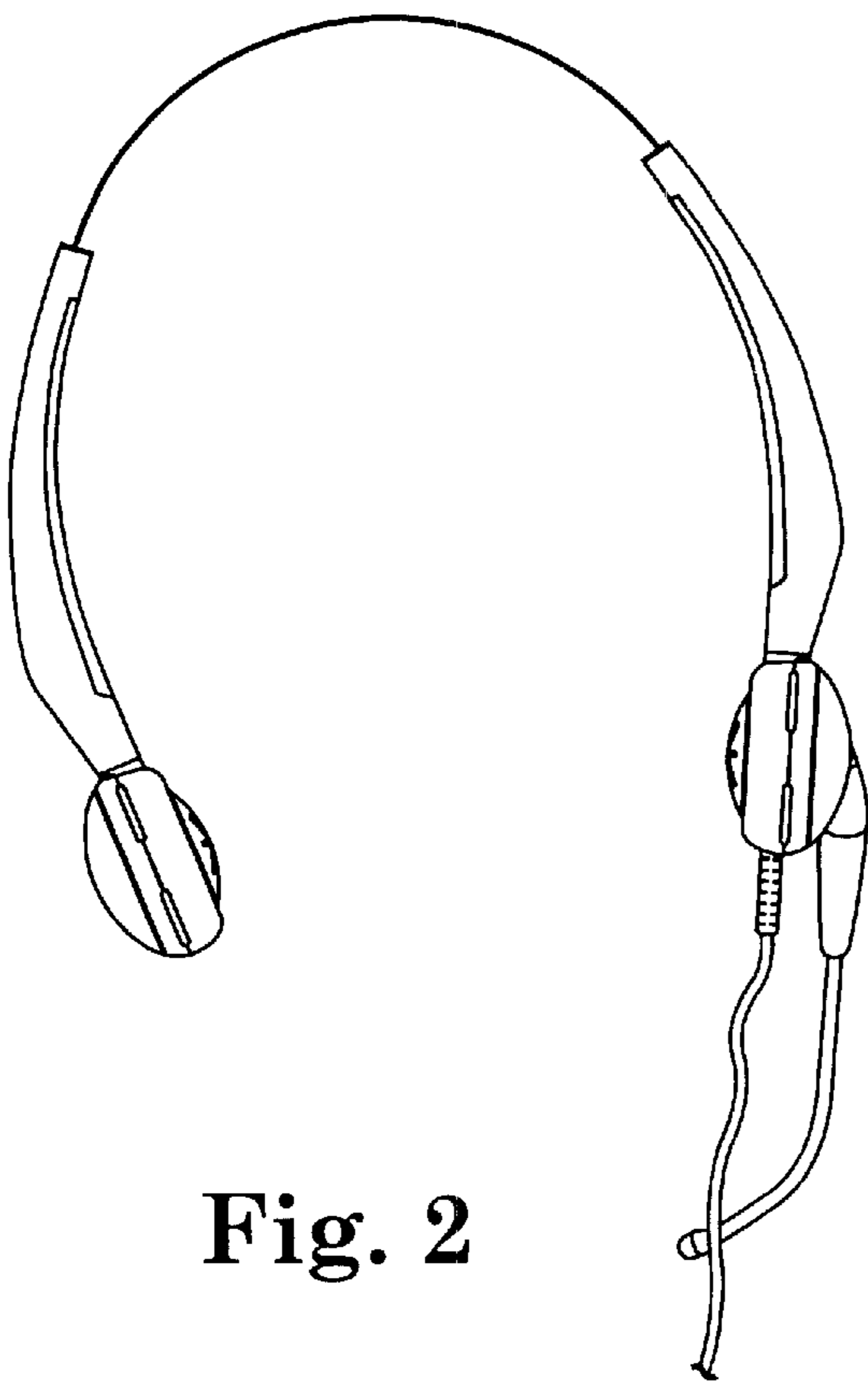


Fig. 2

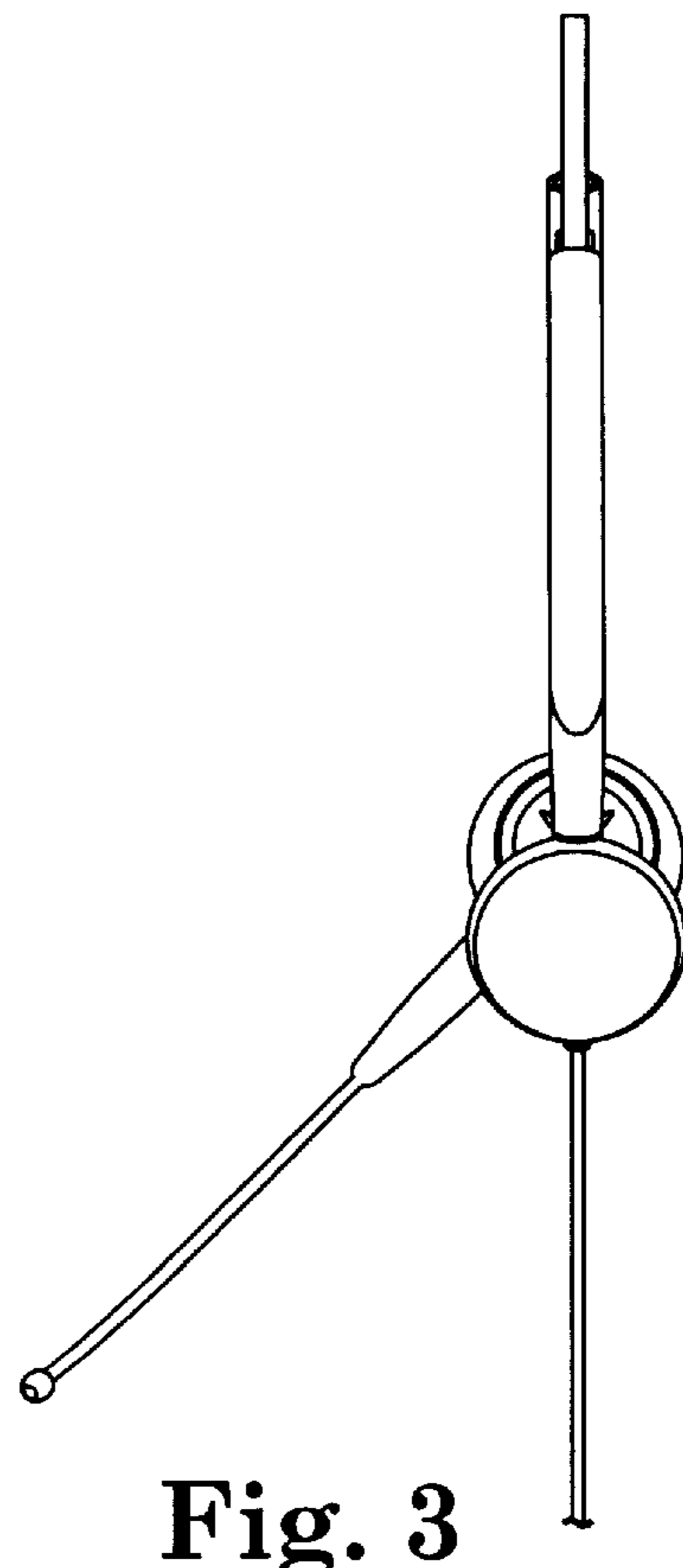


Fig. 3

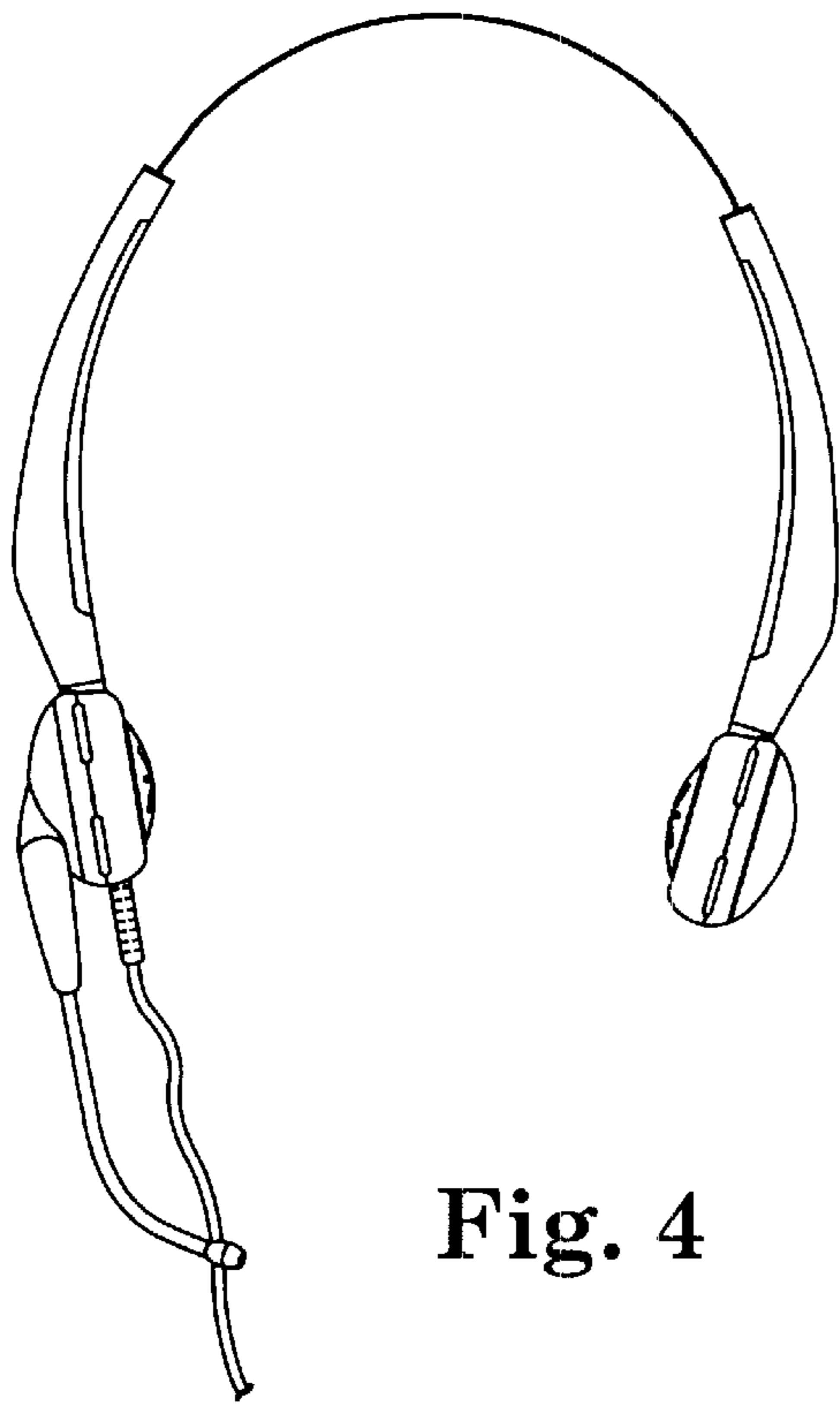


Fig. 4

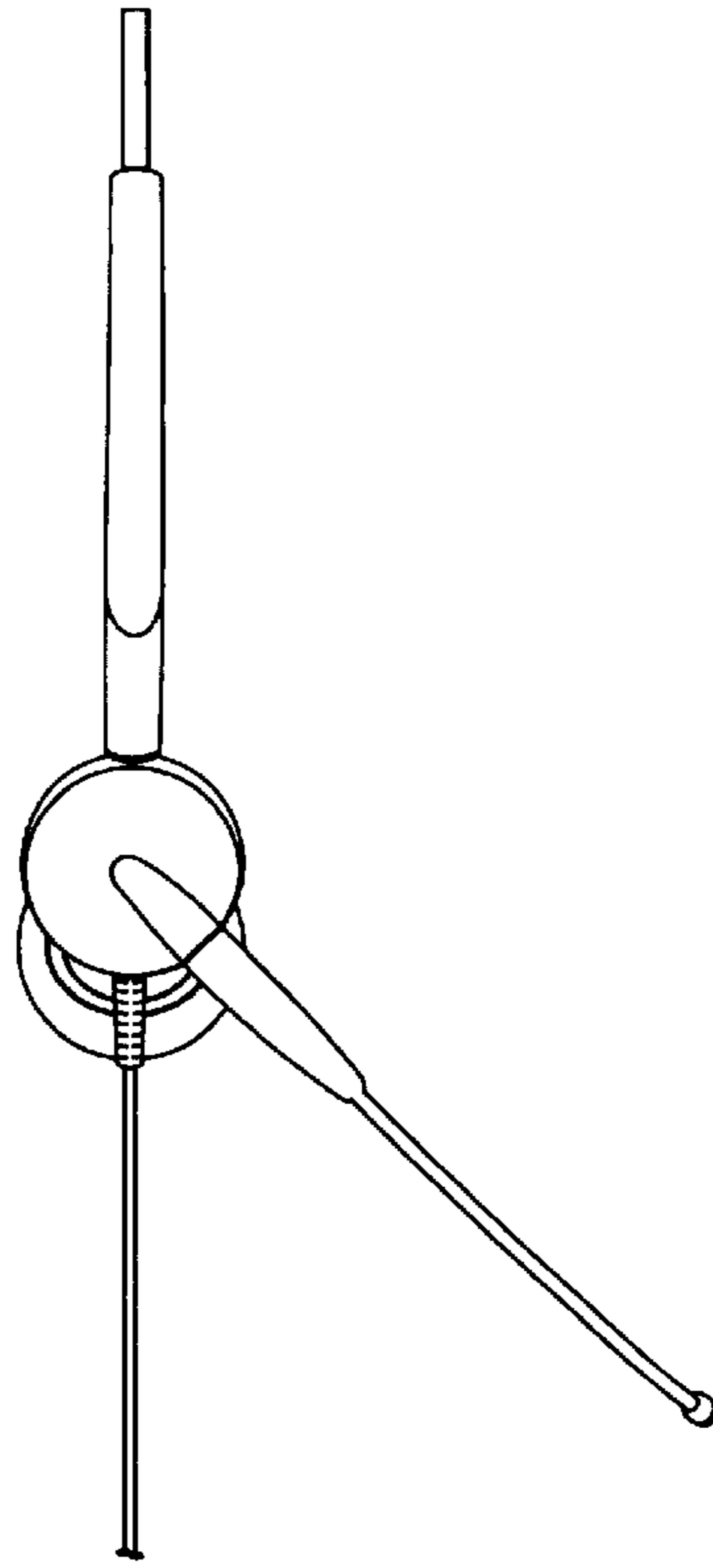


Fig. 5

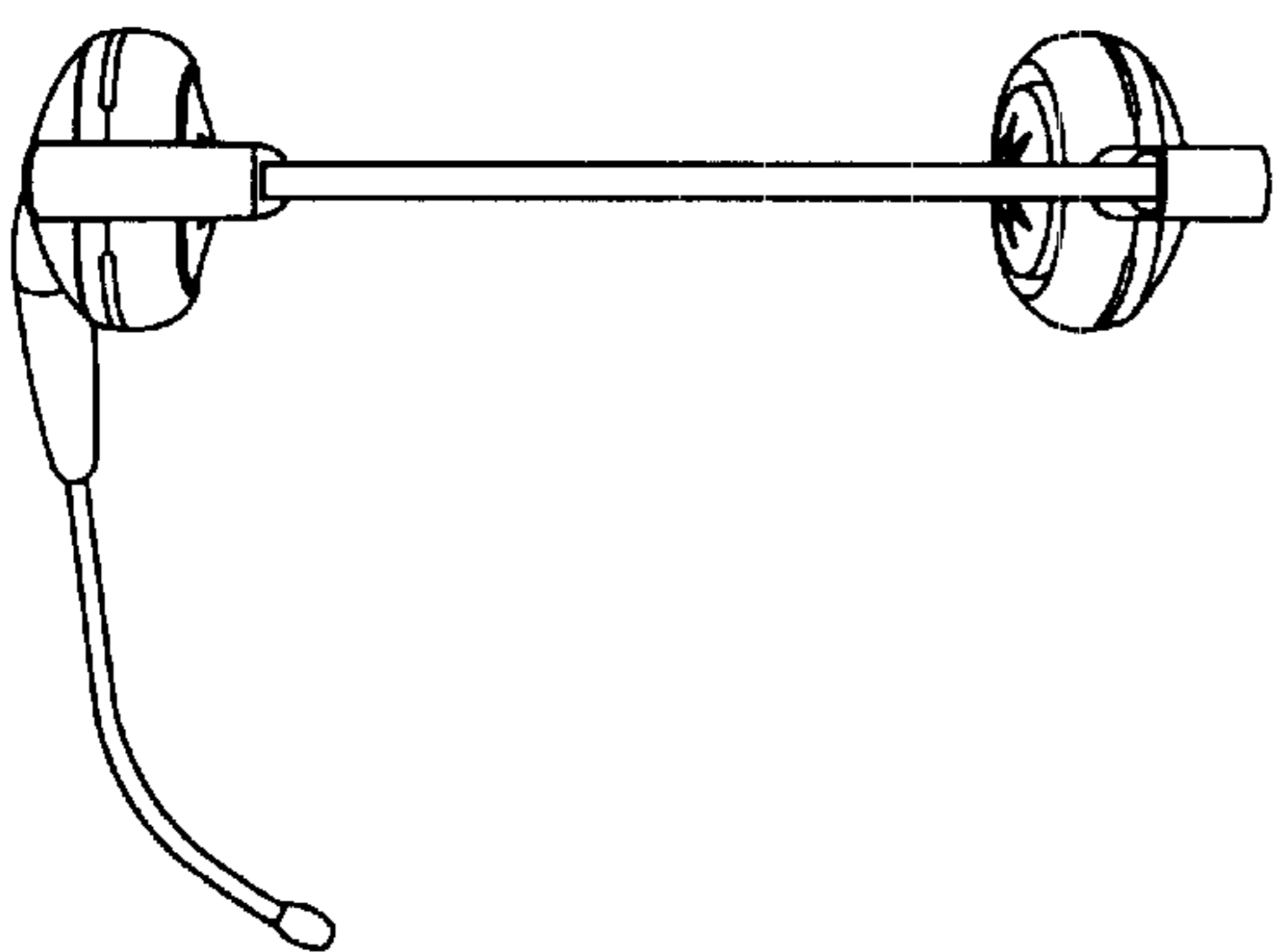


Fig. 6

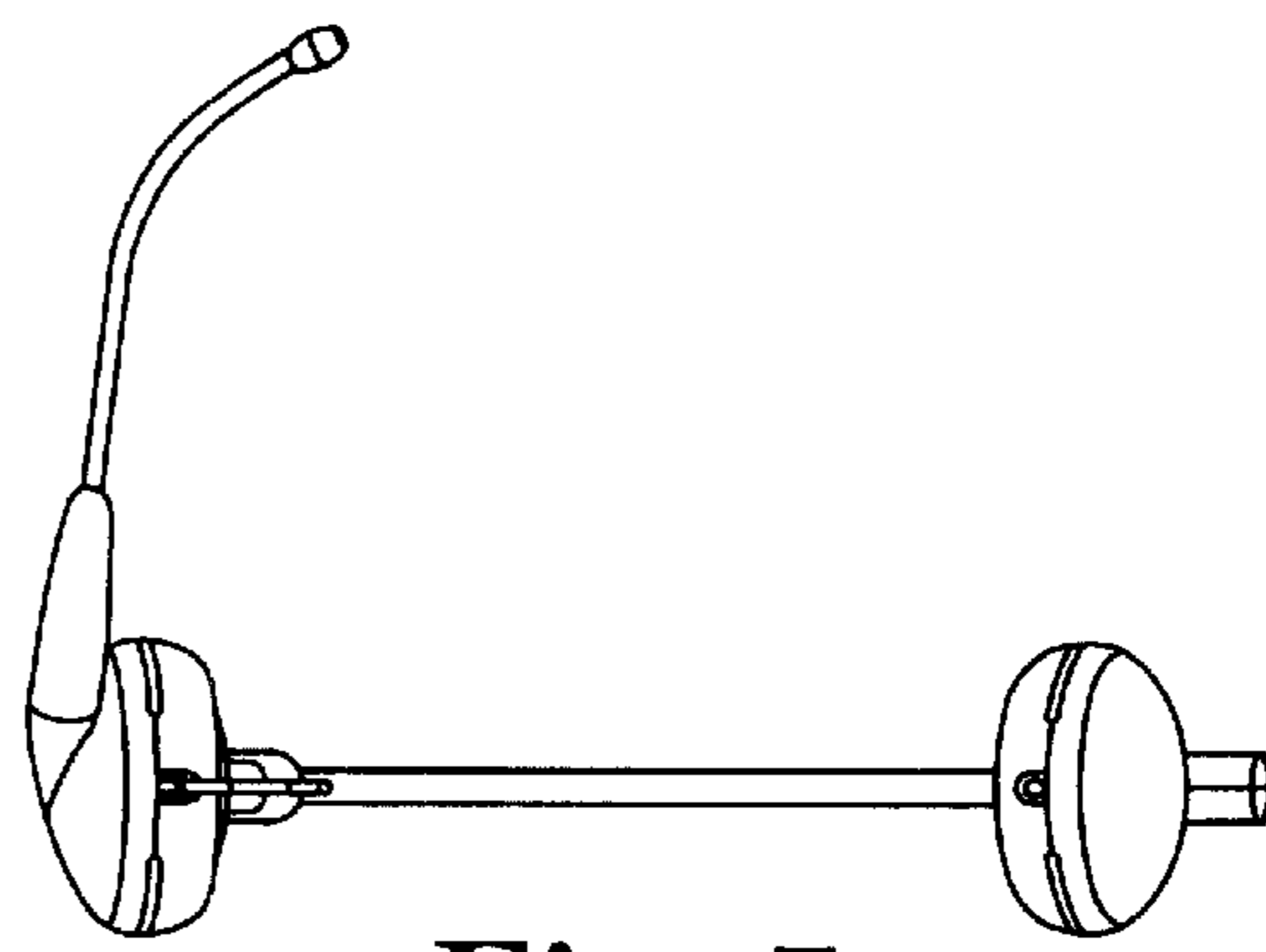


Fig. 7