



US00D463397S

(12) **United States Design Patent**
Bergfeldt

(10) **Patent No.:** **US D463,397 S**

(45) **Date of Patent:** **** Sep. 24, 2002**

(54) **PORTABLE HANDSFREE EARPHONE**

(75) Inventor: **Jonas Bergfeldt**, Stockholm (SE)

(73) Assignee: **Telefonaktiebolaget LM Ericsson (publ)**, Stockholm (SE)

(**) Term: **14 Years**

(21) Appl. No.: **29/148,493**

(22) Filed: **Sep. 21, 2001**

(30) **Foreign Application Priority Data**

Mar. 21, 2001 (SE) 01-0504

(51) **LOC (7) Cl.** **14-01**

(52) **U.S. Cl.** **D14/205**

(58) **Field of Search** D14/205, 206,
D14/192, 223, 142; 181/129, 130, 149,
373; 379/430, 431, 444; 381/380, 370,
222; D24/174

(56) **References Cited**

U.S. PATENT DOCUMENTS

- D316,550 S * 4/1991 Sogabe D14/205 X
- D318,670 S * 7/1991 Taniguchi D14/205
- D337,118 S * 7/1993 Seikita D14/223

- D337,589 S * 7/1993 Wada D14/223
- D369,349 S * 4/1996 Hayashi D14/223
- D371,368 S * 7/1996 Hayashi D14/223
- D375,500 S * 11/1996 Bungardt et al. D14/223
- D430,139 S * 8/2000 Peters et al. D14/205
- D430,547 S * 9/2000 Yoon D14/206 X

* cited by examiner

Primary Examiner—Paula A. Mortimer

(74) *Attorney, Agent, or Firm*—Burns, Doane, Swecker & Mathis, L.L.P.

(57) **CLAIM**

The ornamental design for a portable handsfree earphone, as shown and described.

DESCRIPTION

FIG. 1 is a front, top perspective view of a portable hands-free earphone showing my new design;
 FIG. 2 is a rear, bottom perspective view thereof;
 FIG. 3 is a rear elevational view thereof;
 FIG. 4 is a front elevational view thereof;
 FIG. 5 is a bottom plan view thereof;
 FIG. 6 is a top plan view thereof;
 FIG. 7 is a left side elevational view thereof; and,
 FIG. 8 is a right side elevational view thereof.

1 Claim, 1 Drawing Sheet

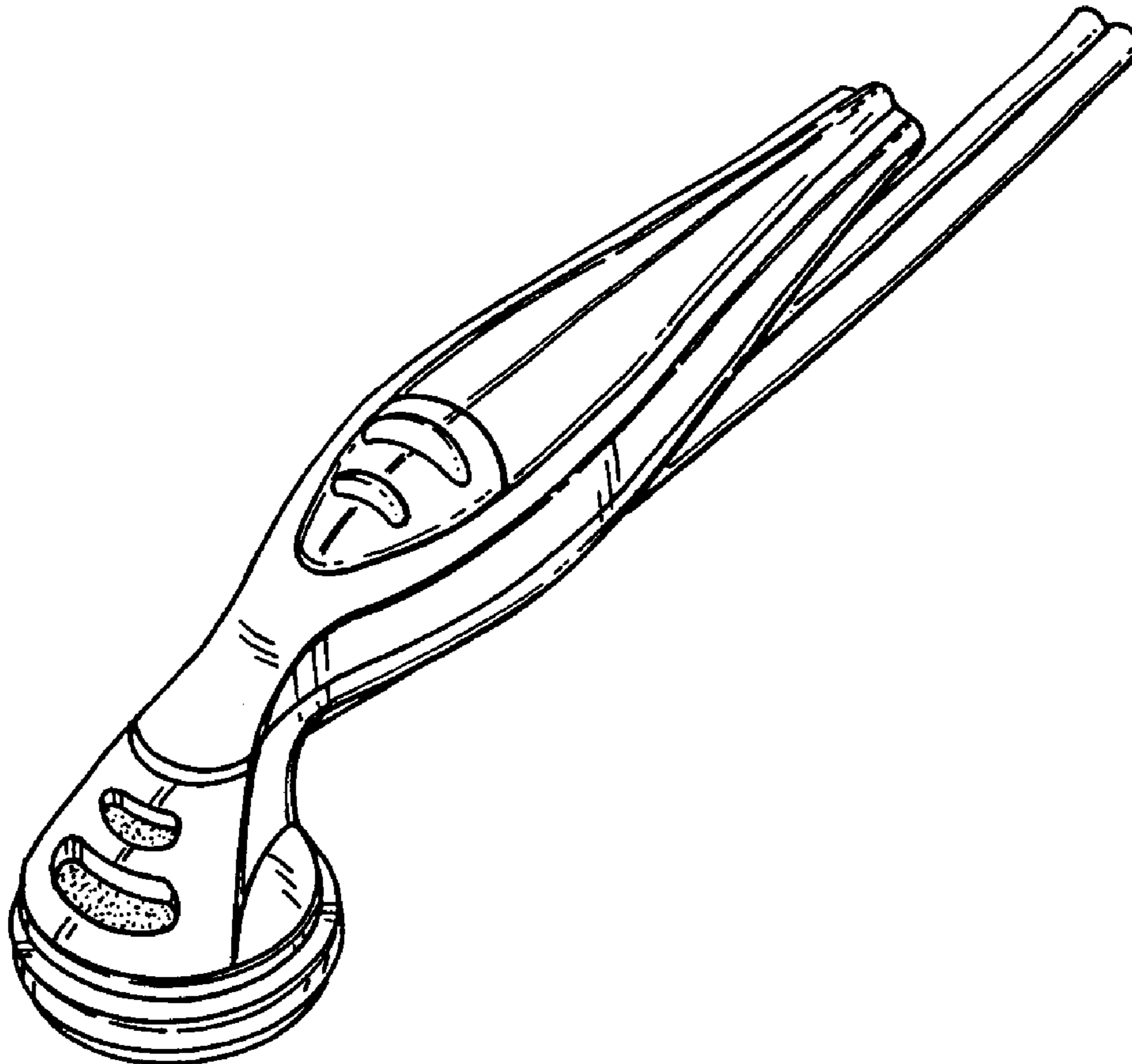


FIG. 1

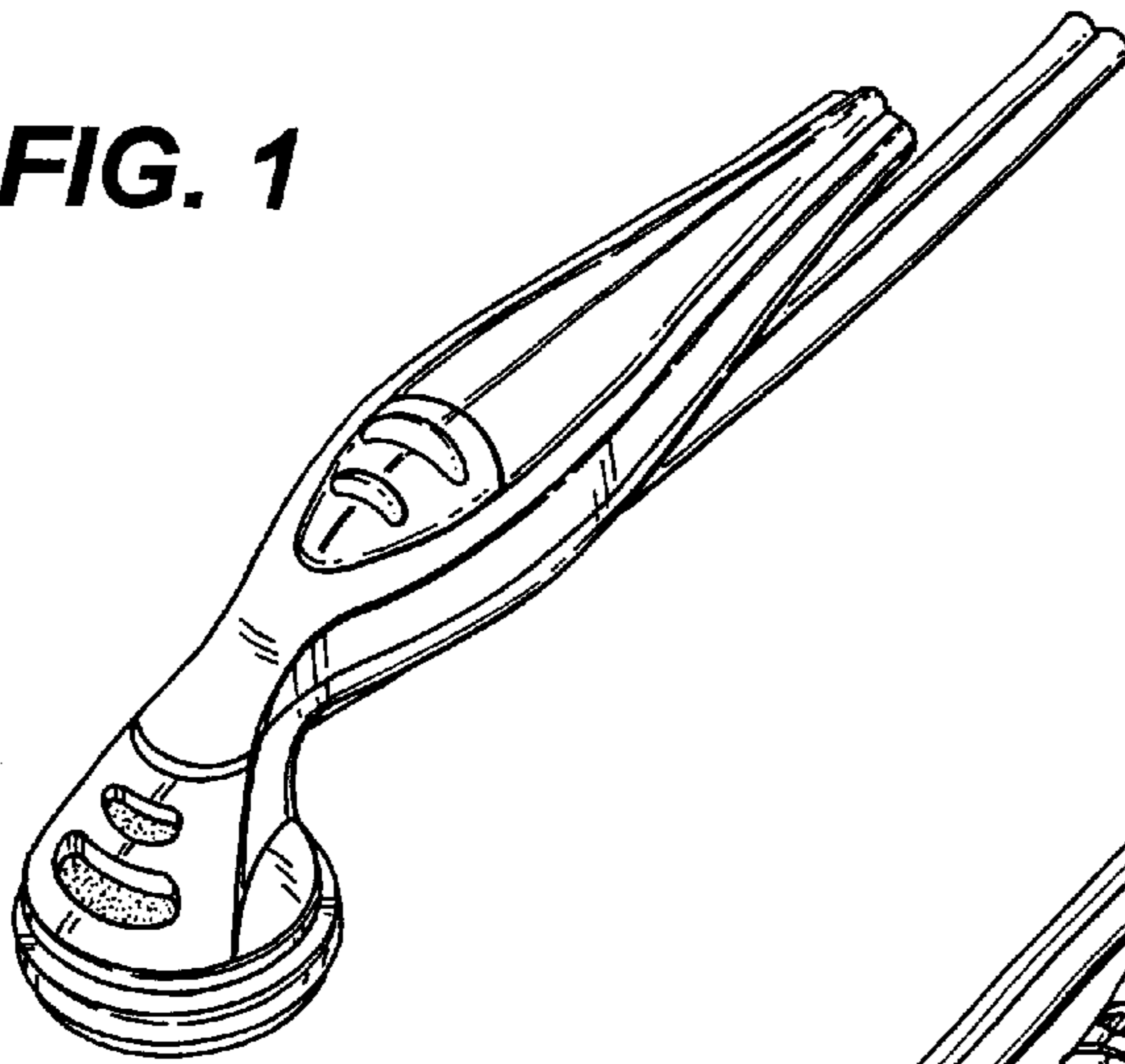


FIG. 2

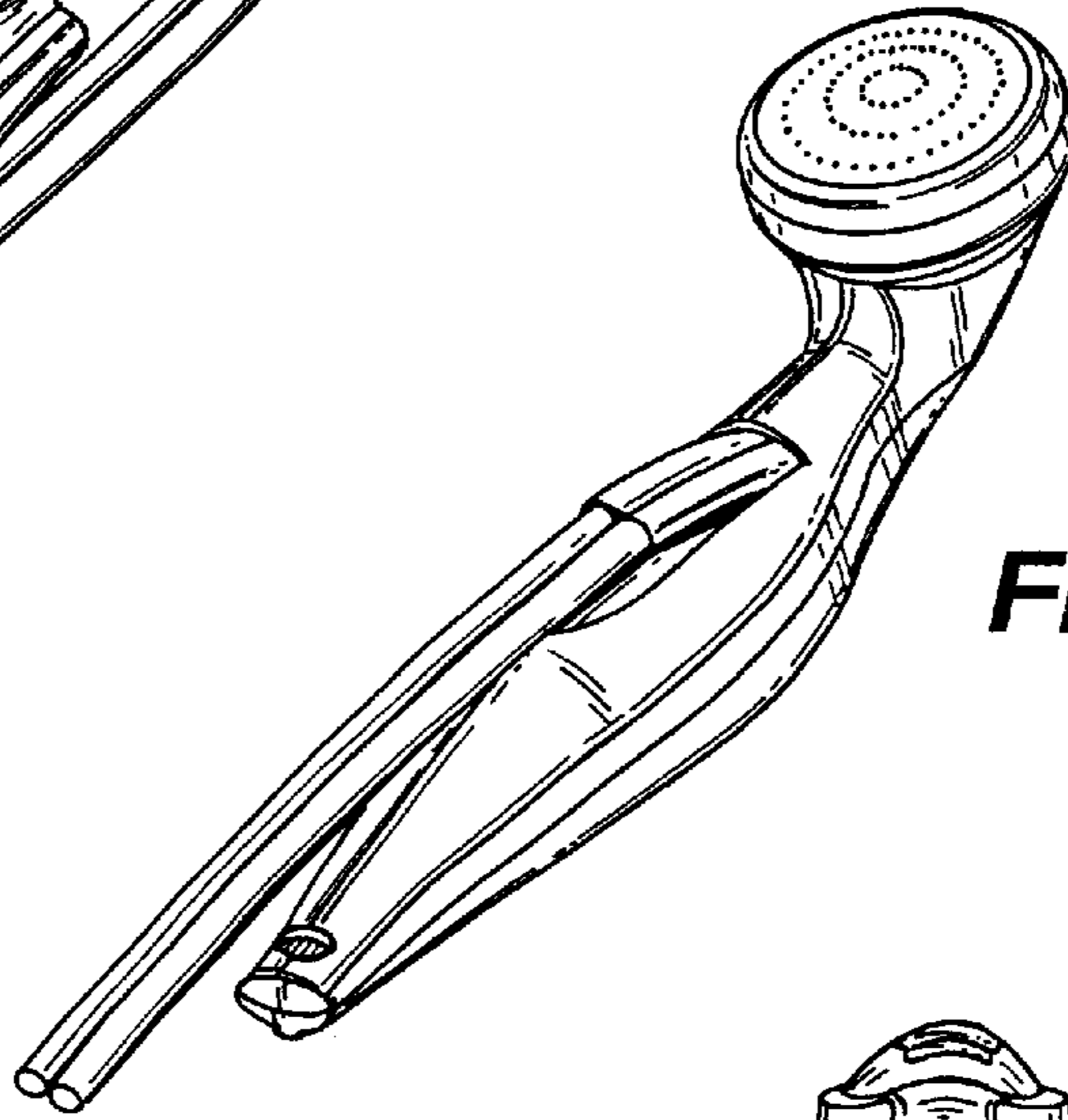


FIG. 3

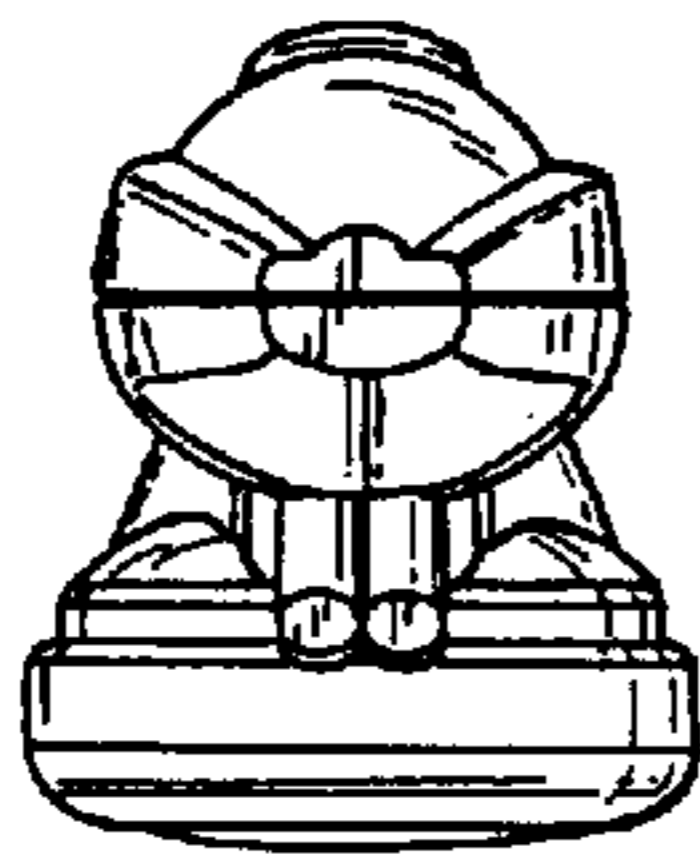


FIG. 4

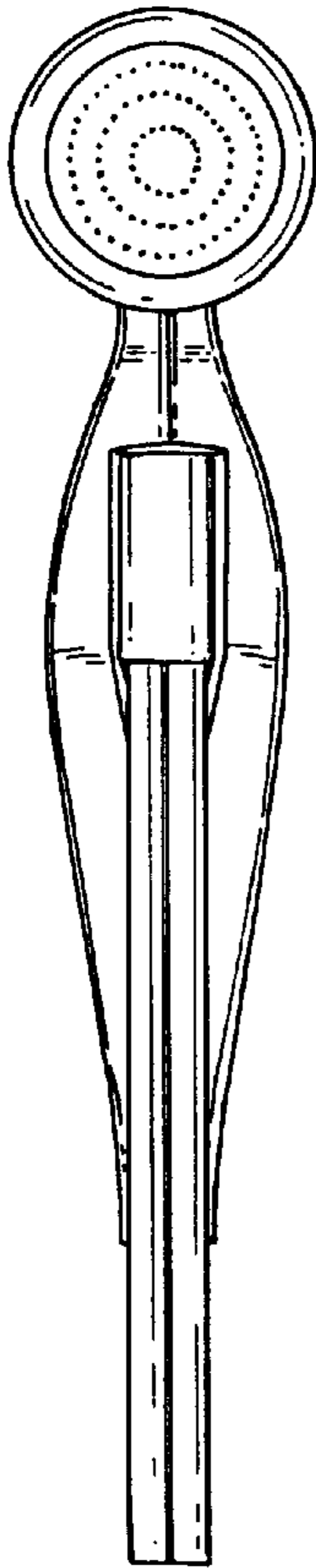
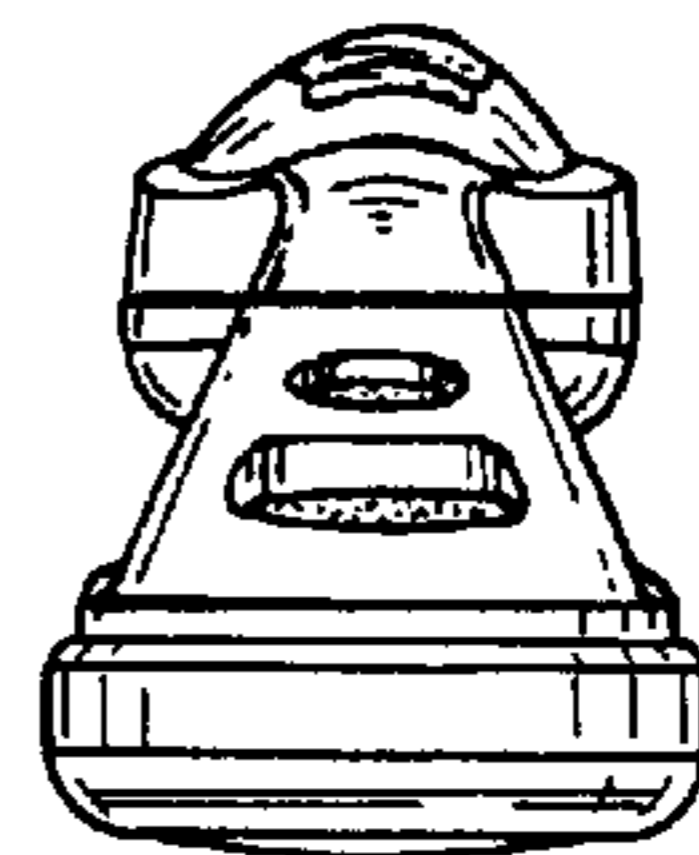


FIG. 5

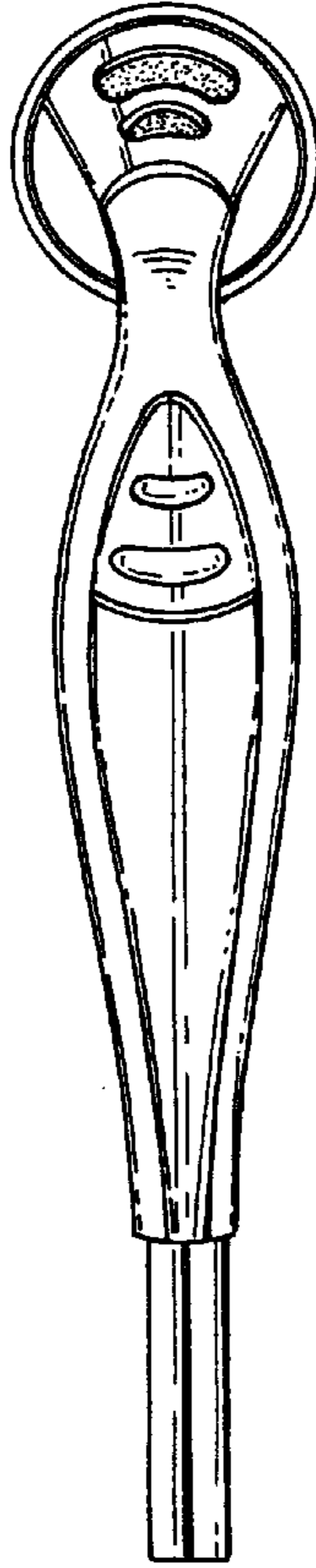


FIG. 6



FIG. 7

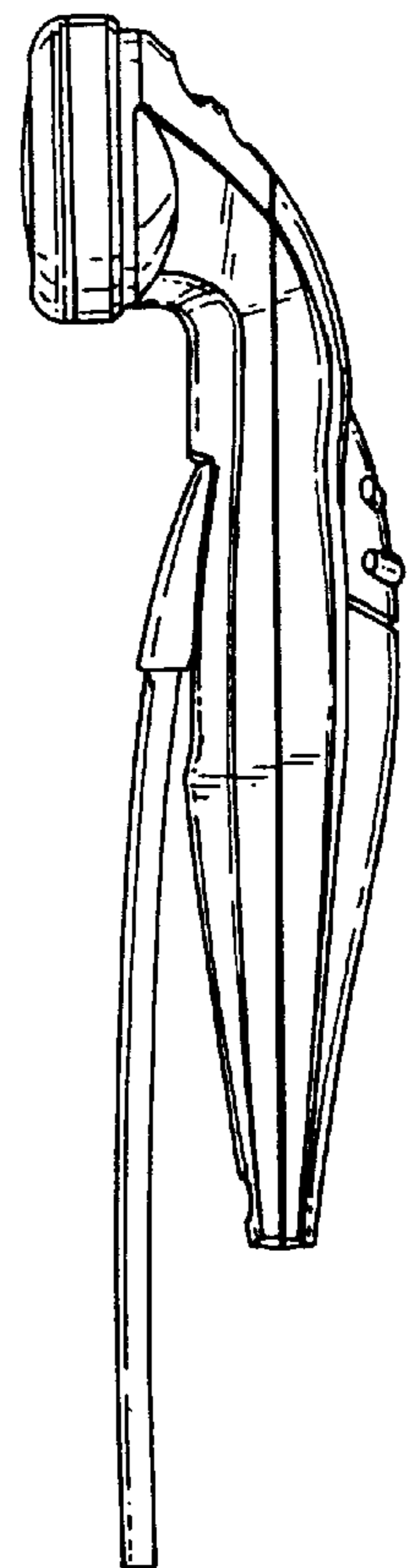


FIG. 8