



US00D463394S

(12) **United States Design Patent**  
**Sogabe**

(10) **Patent No.:** **US D463,394 S**

(45) **Date of Patent:** **\*\* Sep. 24, 2002**

(54) **COMBINED DISC PLAYER AND RADIO RECEIVER**

D414,776 S 10/1999 Shintani et al.  
6,028,737 A \* 2/2000 Khuu ..... 360/77.2  
D425,890 S \* 5/2000 Kataoka ..... D14/163  
D444,136 S 6/2001 Sogabe

(75) Inventor: **Takashi Sogabe, Tokyo (JP)**

\* cited by examiner

(73) Assignee: **Sony Corporation, Tokyo (JP)**

*Primary Examiner*—Nanda Bondade  
(74) *Attorney, Agent, or Firm*—Rader, Fishman & Grauer, PLLC

(\*\*) Term: **14 Years**

(21) Appl. No.: **29/134,867**

(57) **CLAIM**

(22) Filed: **Jan. 3, 2001**

The ornamental design for a combined disc player and radio receiver, as shown and described.

(51) **LOC (7) Cl.** ..... **14-01**

**DESCRIPTION**

(52) **U.S. Cl.** ..... **D14/168; D14/257**

(58) **Field of Search** ..... D14/135, 136, D14/156, 157, 167-168, 188, 197-198, 257, 258, 299, 217; 369/75.1, 75.2, 77.1, 77.2; 455/73, 89-90, 128, 345-347

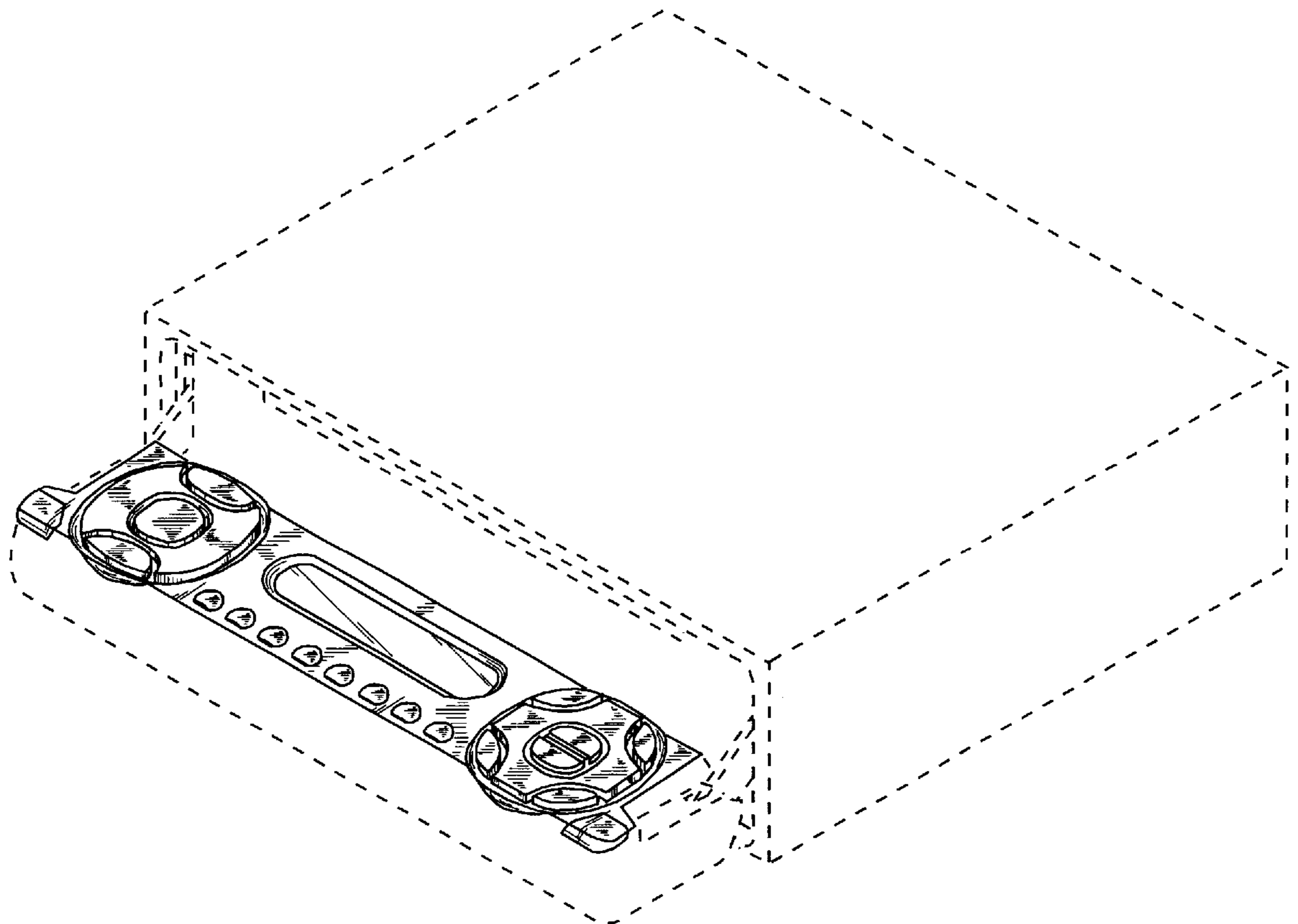
FIG. 1 is a perspective view of a combined disc player and radio receiver showing my new design;  
FIG. 2 is a front elevational view thereof;  
FIG. 3 is a right side elevational view thereof;  
FIG. 4 is a left side elevational view thereof; and,  
FIG. 5 is a bottom plan view thereof.  
The broken line showing on FIGS. 1-5 is for illustrative purposes only and forms no part of the claimed design.

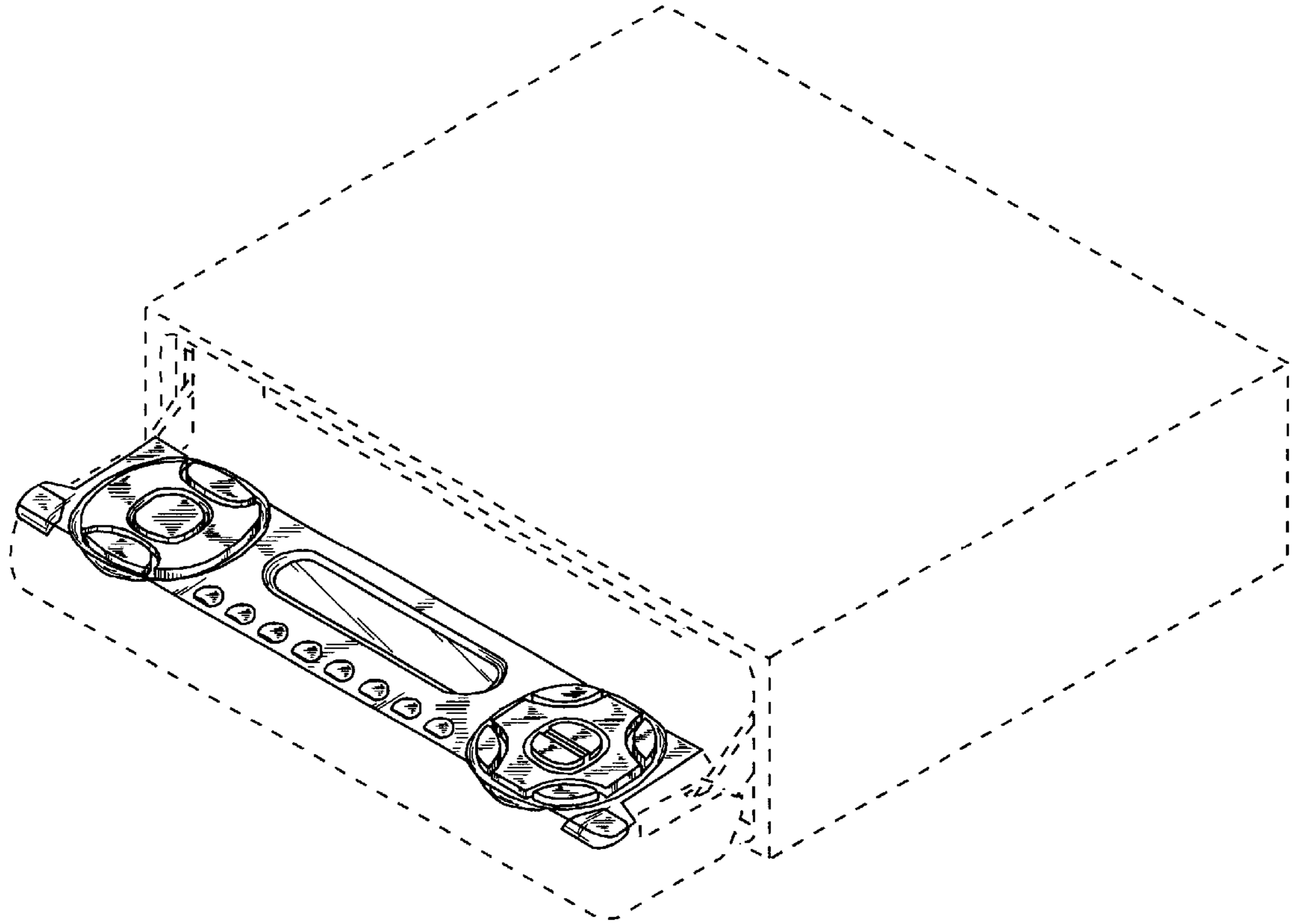
(56) **References Cited**

**U.S. PATENT DOCUMENTS**

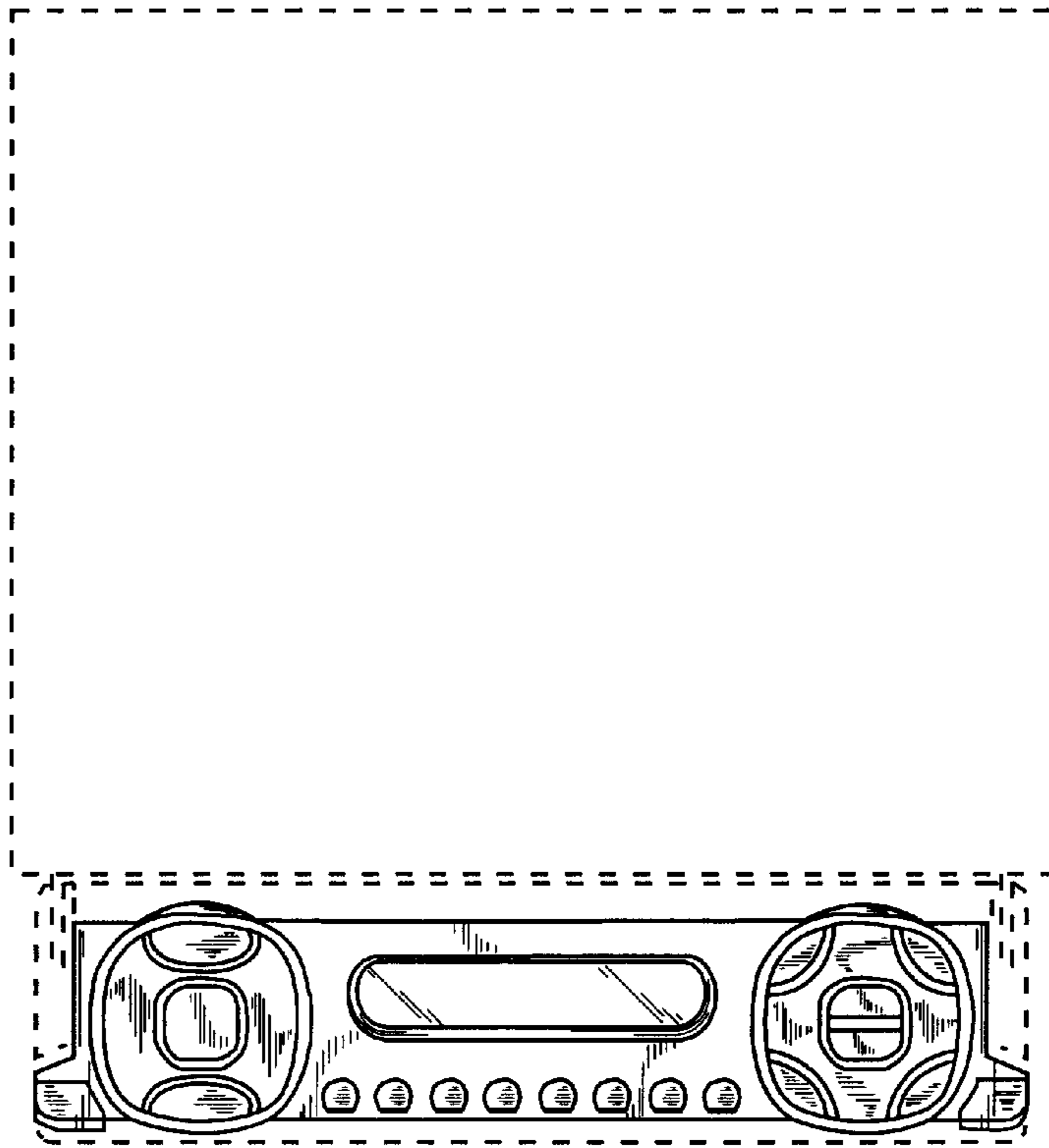
D368,088 S \* 3/1996 Cha ..... D14/135  
5,848,042 A \* 12/1998 Takahashi et al. .... 369/75.1  
D406,588 S \* 3/1999 Sogabe ..... D14/156

**1 Claim, 3 Drawing Sheets**

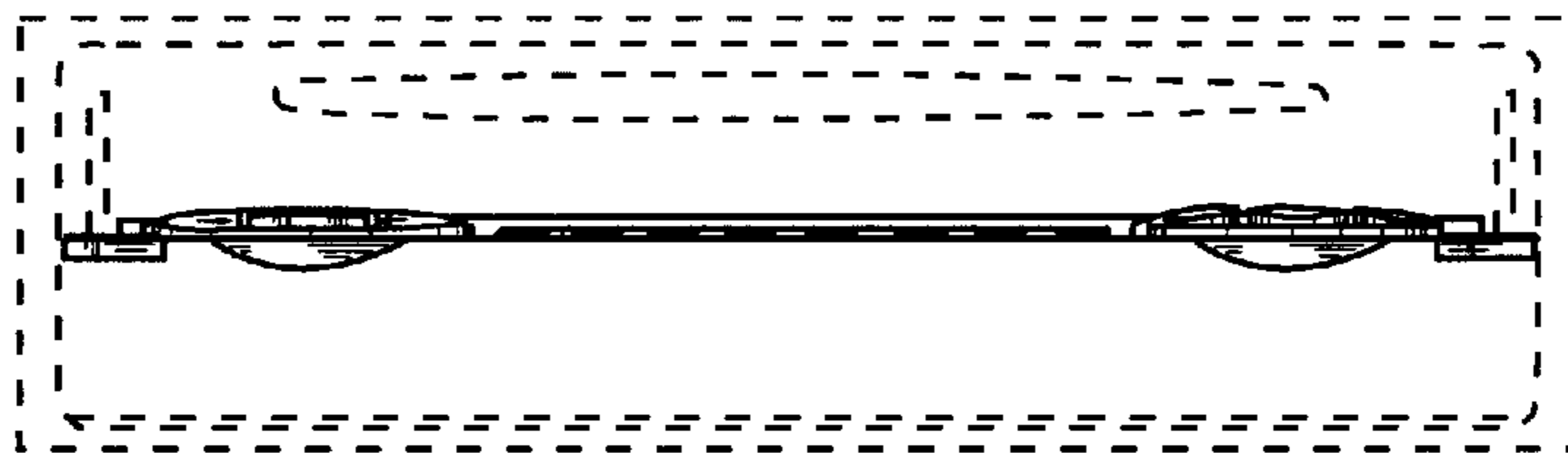




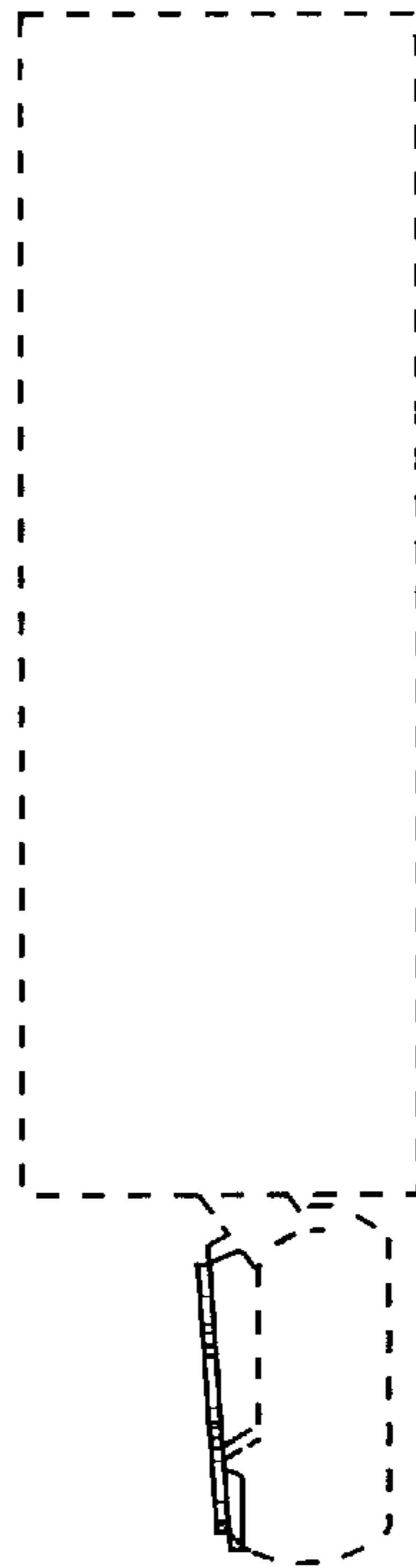
**Fig. 1**



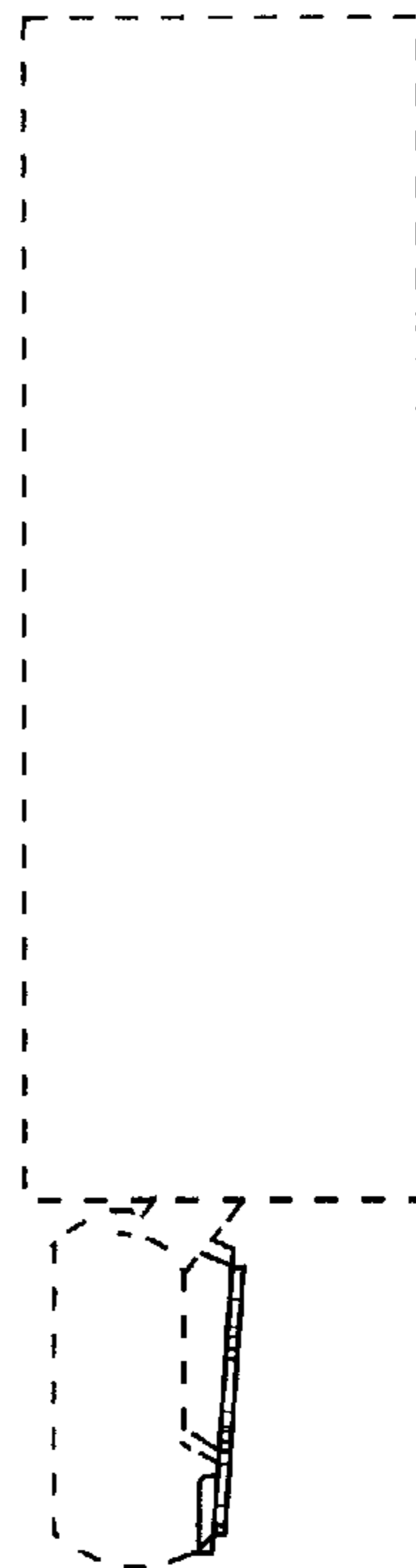
**Fig. 2**



**Fig. 5**



**Fig. 3**



**Fig. 4**