



US00D463392S

(12) **United States Design Patent**
Khadivar

(10) **Patent No.:** **US D463,392 S**

(45) **Date of Patent:** **** Sep. 24, 2002**

(54) **DUAL CD CONTINUOUS PLAY PLAYER**

D442,942 S * 5/2001 Tsuge D14/214

(76) Inventor: **Michael Khadivar**, 5151 N. Shore,
Lincolnwood, IL (US) 60646

* cited by examiner

(**) Term: **14 Years**

Primary Examiner—Nanda Bondade

(74) *Attorney, Agent, or Firm*—Michael Best & Friedrich

(21) Appl. No.: **29/142,776**

(57) **CLAIM**

(22) Filed: **Jun. 1, 2001**

I claim the ornamental design for the dual CD continuous play player, as shown in the accompanying figures.

(51) **LOC (7) Cl.** **14-01**

DESCRIPTION

(52) **U.S. Cl.** **D14/156; D14/214**

(58) **Field of Search** D14/135–136,
D14/156–157, 160–162, 167–168, 188,
204, 207–208, 214–216; 181/144–145,
147–148, 150–153, 157, 198–199; 381/300–302,
307, 359, 361–364, 386; 369/75.1, 75.2,
77.1, 77.2

FIG. 1 is a front perspective view of the dual CD continuous play player of the present invention.

FIG. 2 is a side elevational view of the dual CD continuous play player of the present invention.

FIG. 3 is a front perspective view of an additional alternative embodiment of the dual CD continuous play player of the present invention.

FIG. 4 is a side elevational view of the dual CD continuous play player of FIG. 3.

FIG. 5 is a front perspective view of an additional alternative embodiment of the dual CD continuous play player of the present invention; and,

FIG. 6 is a side elevational view of the dual CD continuous play player of FIG. 5.

(56) **References Cited**

U.S. PATENT DOCUMENTS

4,266,092 A	*	5/1981	Barker, III	181/144
D296,690 S	*	7/1988	Koo	D14/156
D297,233 S	*	8/1988	Livigni	D14/215
D310,525 S	*	9/1990	Camens	D14/162
D390,951 S	*	2/1998	Yeh	D14/215
D401,241 S	*	11/1998	Runquist et al.	D14/215

1 Claim, 3 Drawing Sheets

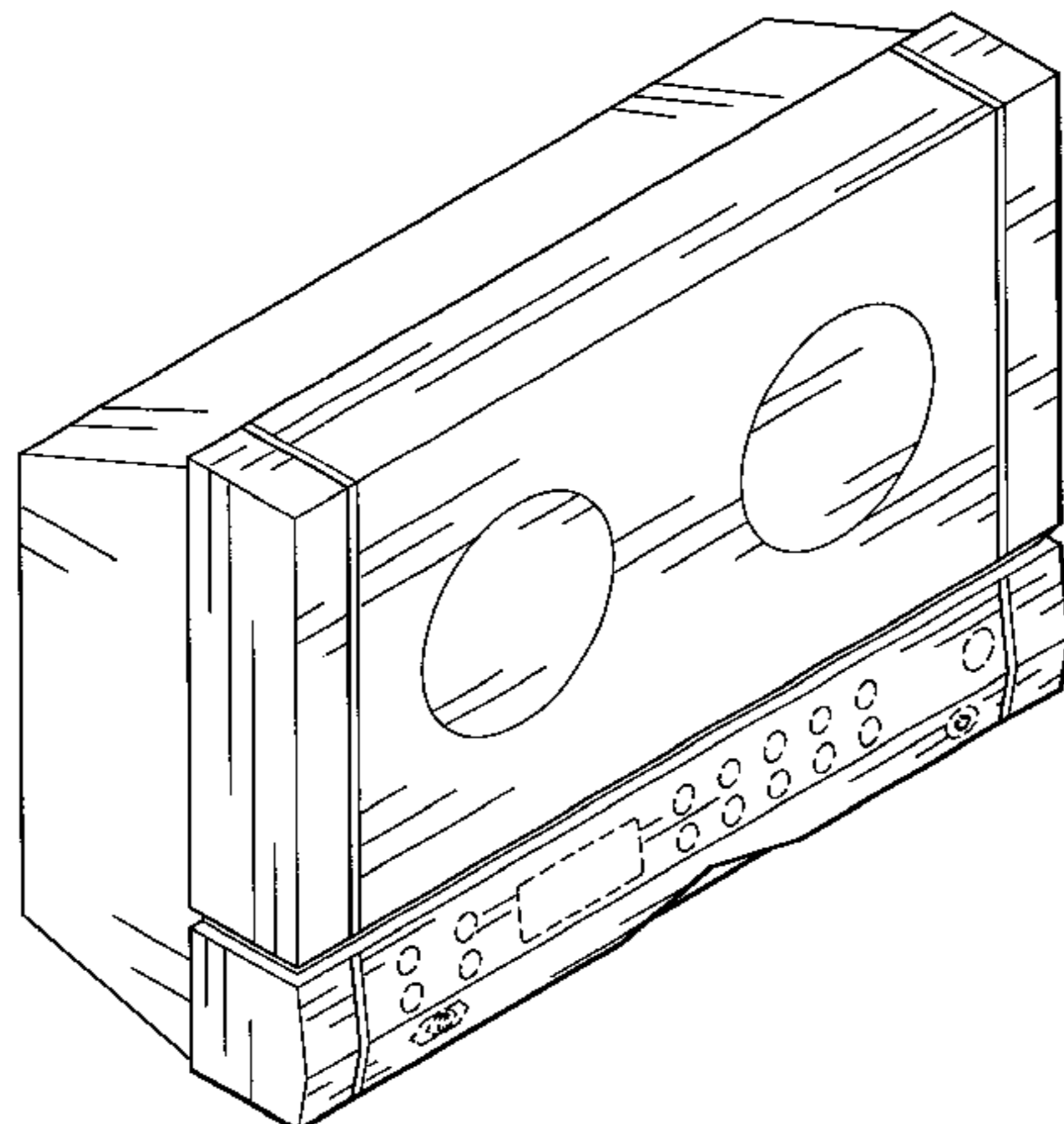
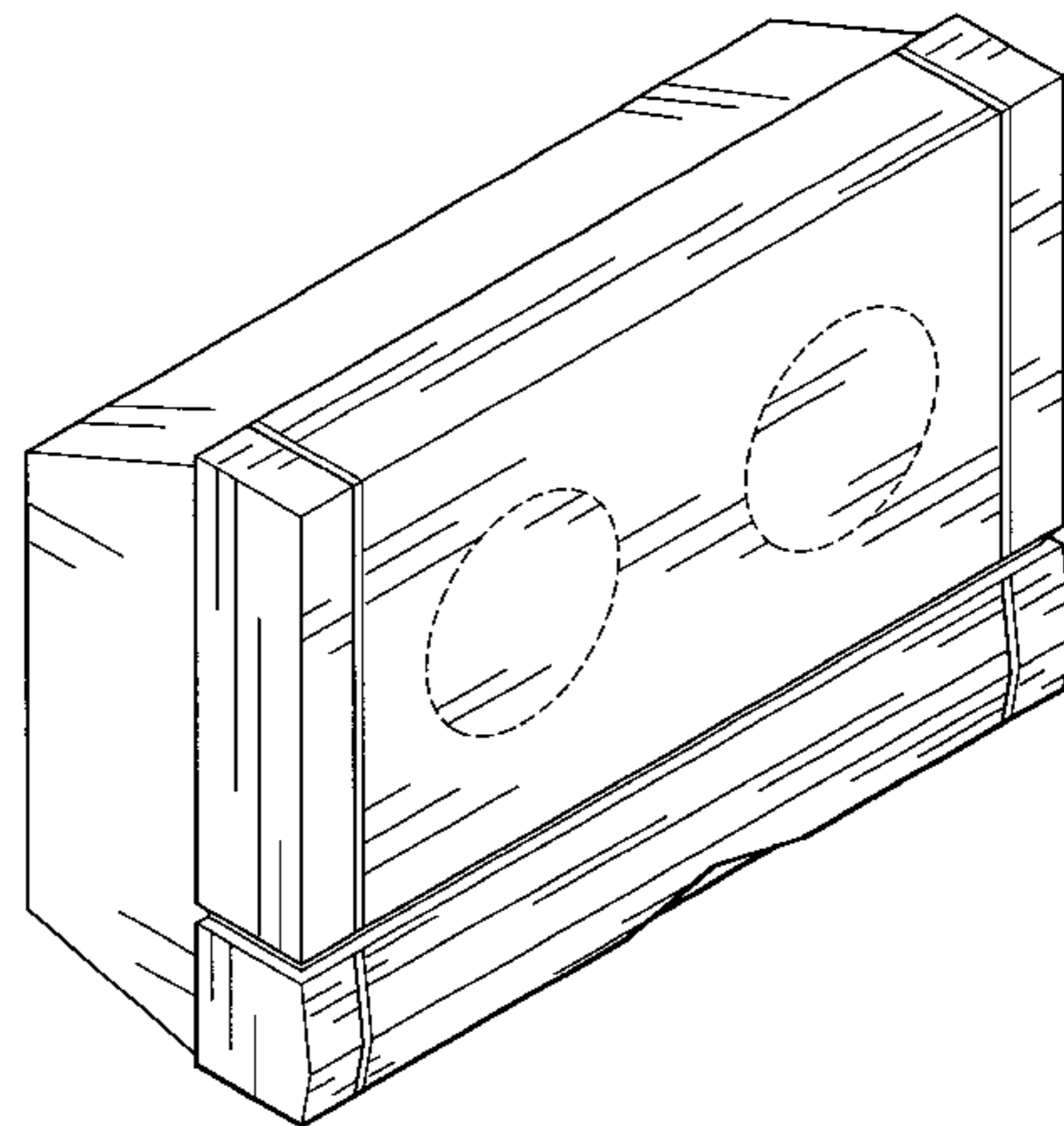
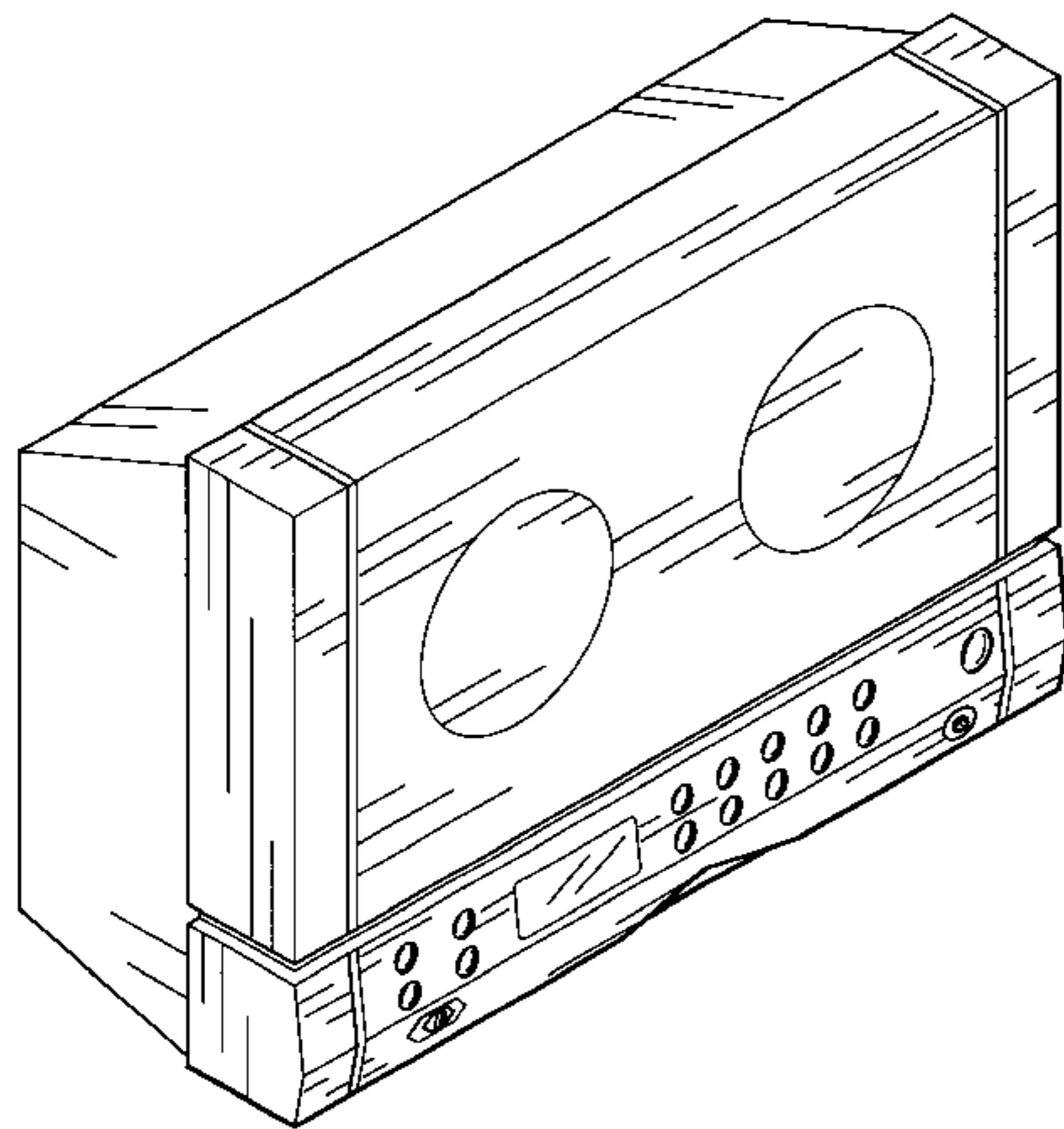


FIG. 1

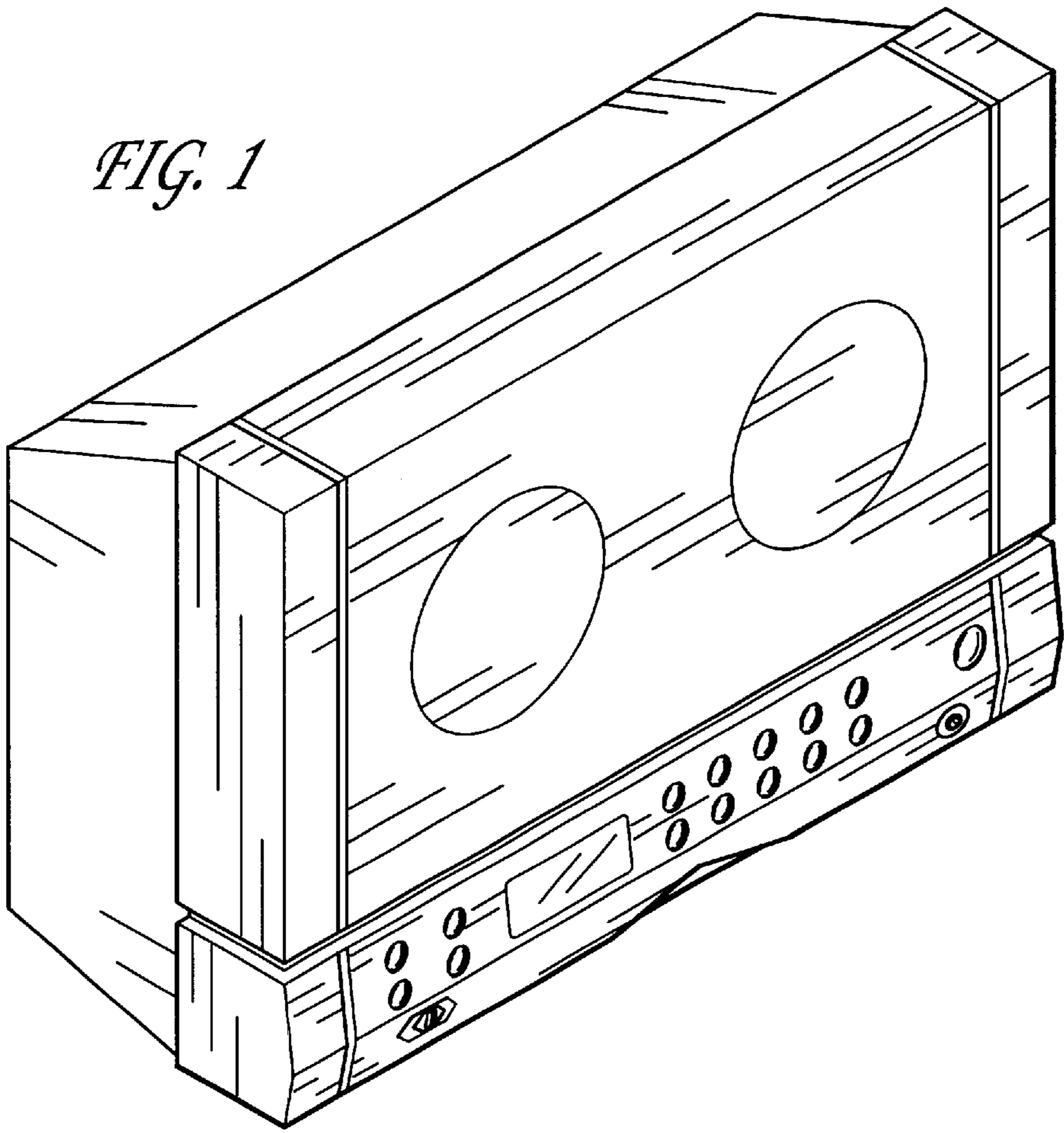


FIG. 2

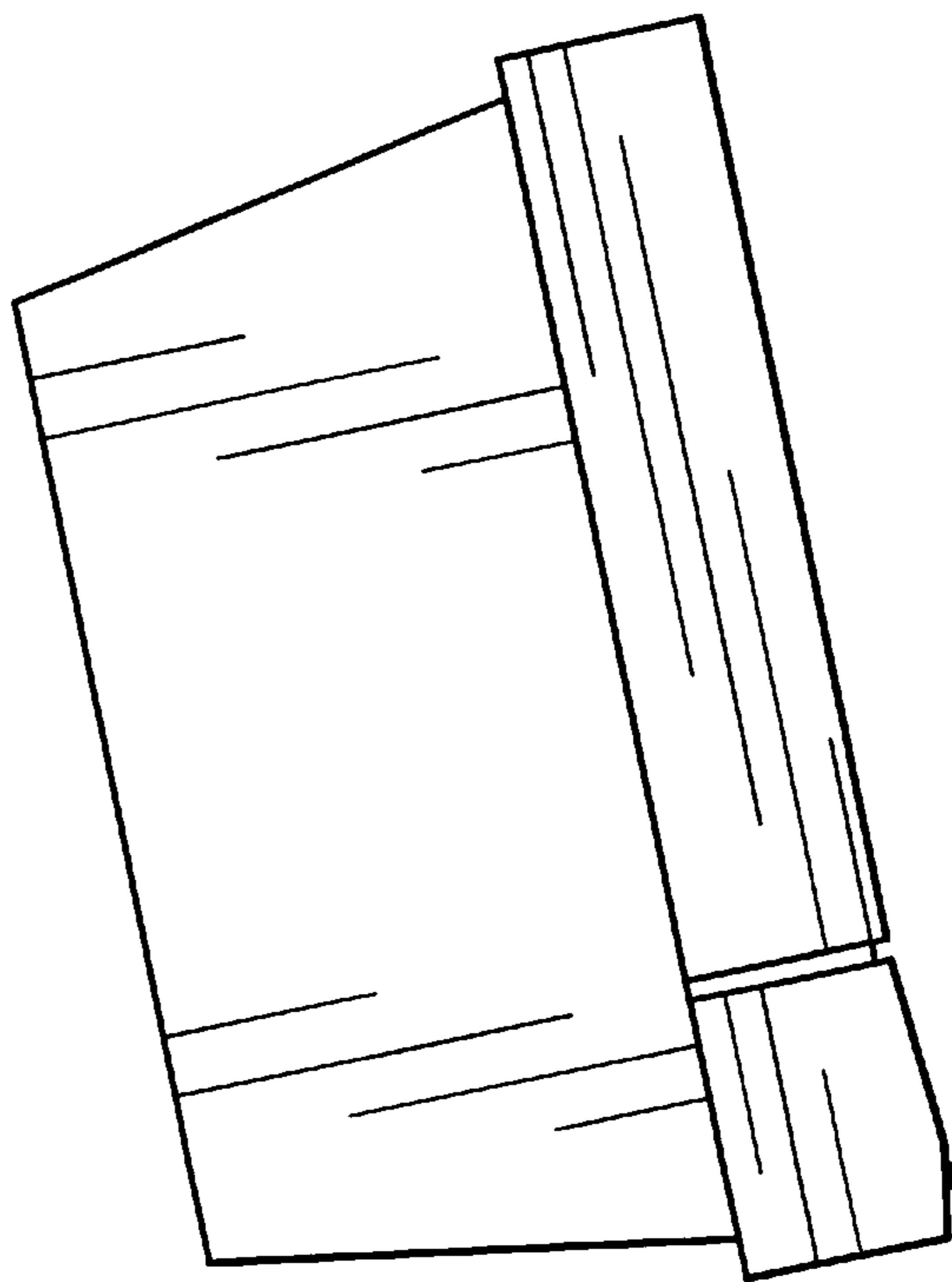


FIG. 3

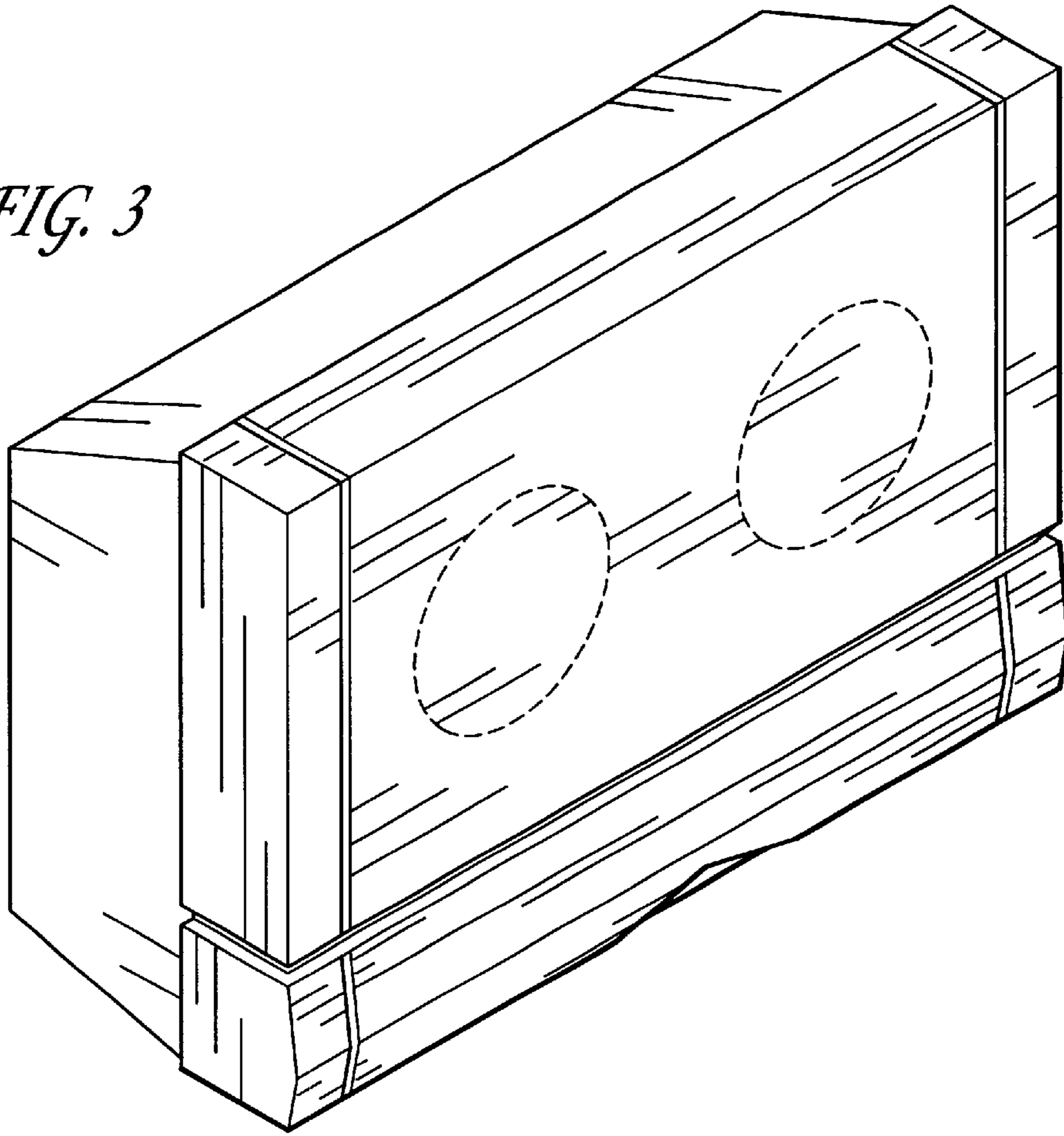


FIG. 4

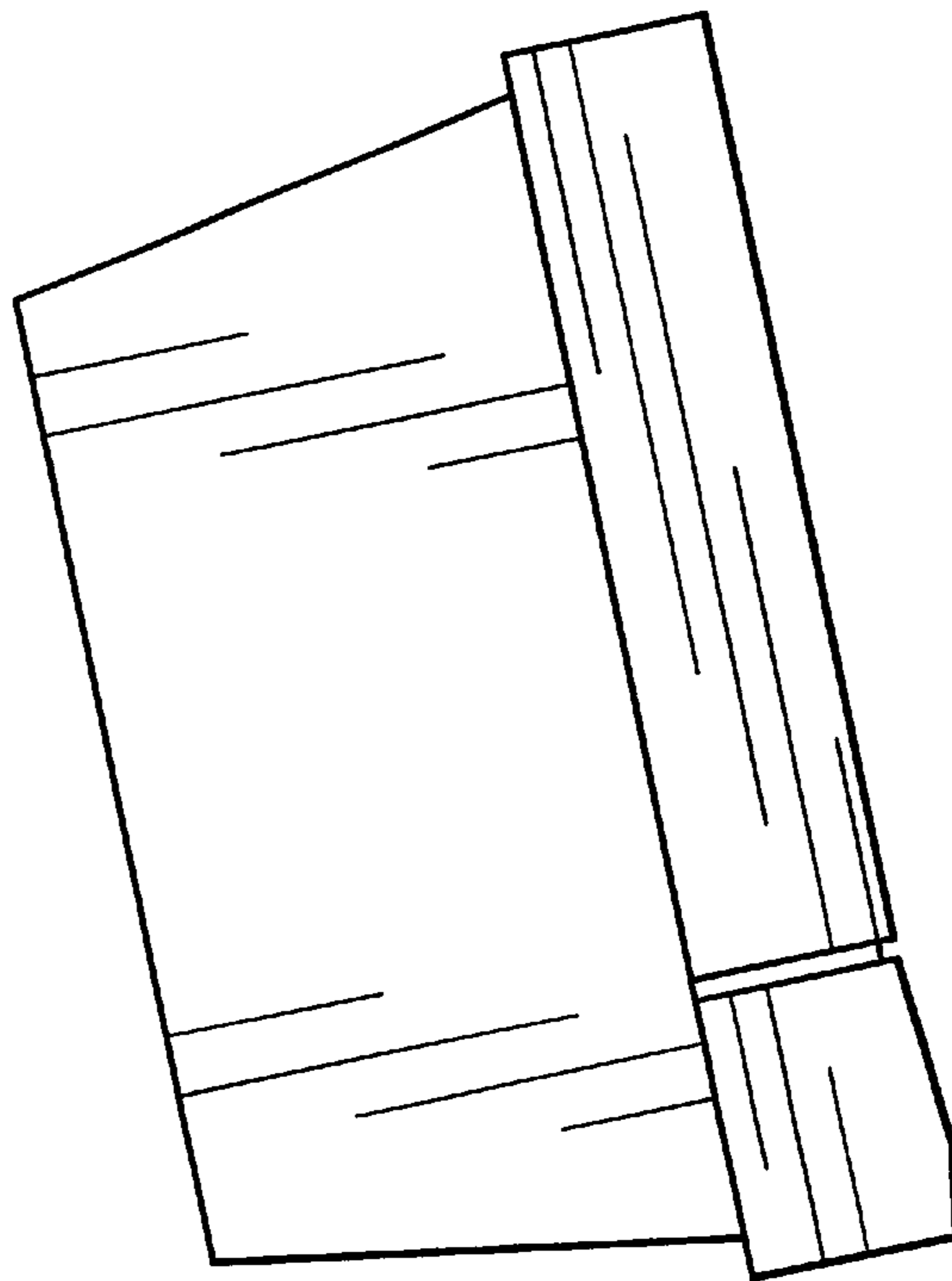


FIG. 5

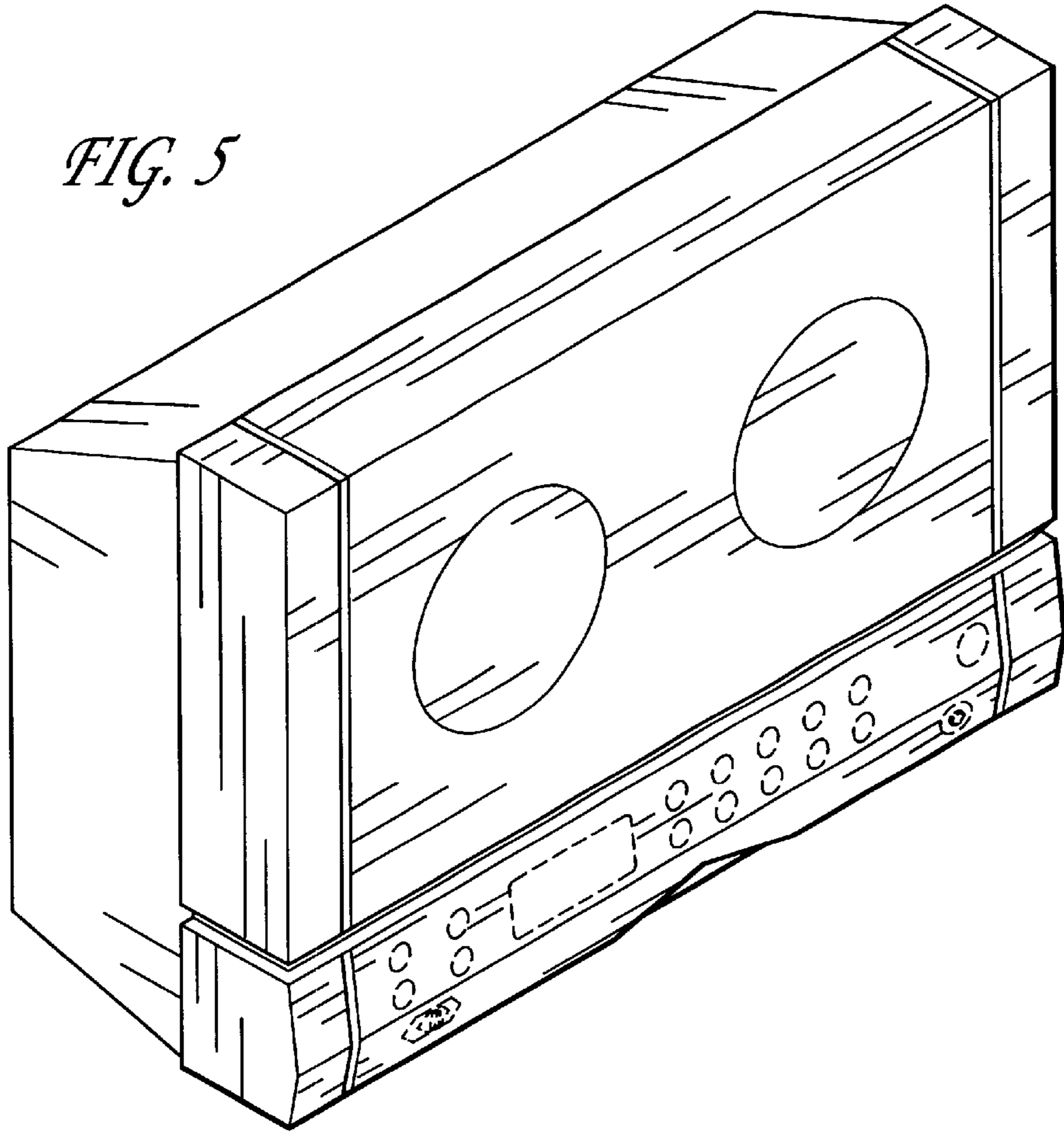


FIG. 6

