



US00D463391S

(12) **United States Design Patent**
Siokola

(10) **Patent No.:** **US D463,391 S**

(45) **Date of Patent:** **** Sep. 24, 2002**

(54) **WIRELESS TRANSMITTER FOR USE WITH MUSICAL INSTRUMENTS**

(76) **Inventor:** **Mario Siokola**, Paulanergasse 16/8, A/1040 Vienna (AT)

(**) **Term:** **14 Years**

(21) **Appl. No.:** **29/156,799**

(22) **Filed:** **Mar. 8, 2002**

(51) **LOC (7) Cl.** **14-03**

(52) **U.S. Cl.** **D14/155; D17/99**

(58) **Field of Search** D10/104, 106; D14/155, 188, 225-229, 217-218, 299; D17/20, 99; 181/158, 242; 340/571, 572.1-572.9; 381/26, 92, 95, 111-118, 122, 172-174, 335, 369; 455/91-93, 117-118

(56) **References Cited**

U.S. PATENT DOCUMENTS

2,486,264 A	10/1949	Armond	84/1.15
D190,867 S	7/1961	Mosing	D26/14
D212,006 S	8/1968	Roberts	D26/14
D215,661 S	10/1969	Richards	D14/3
D233,762 S	11/1974	Suyama	D14/3
4,224,482 A	* 9/1980	Lese et al.	381/172
D260,882 S	9/1981	McCain	D14/12
4,944,016 A	7/1990	Christian	381/74

5,018,204 A	5/1991	Christian	381/74
5,025,704 A	6/1991	Davis	84/723
D430,147 S	8/2000	Willkens et al.	D14/240
D440,217 S	* 4/2001	Hasselmann et al.	D10/104
D445,705 S	* 7/2001	Kliegman et al.	D10/104
D453,154 S	1/2002	Astradsson	D14/240

* cited by examiner

Primary Examiner—Nanda Bondade
(74) *Attorney, Agent, or Firm*—Harman International Industries, Incorporated

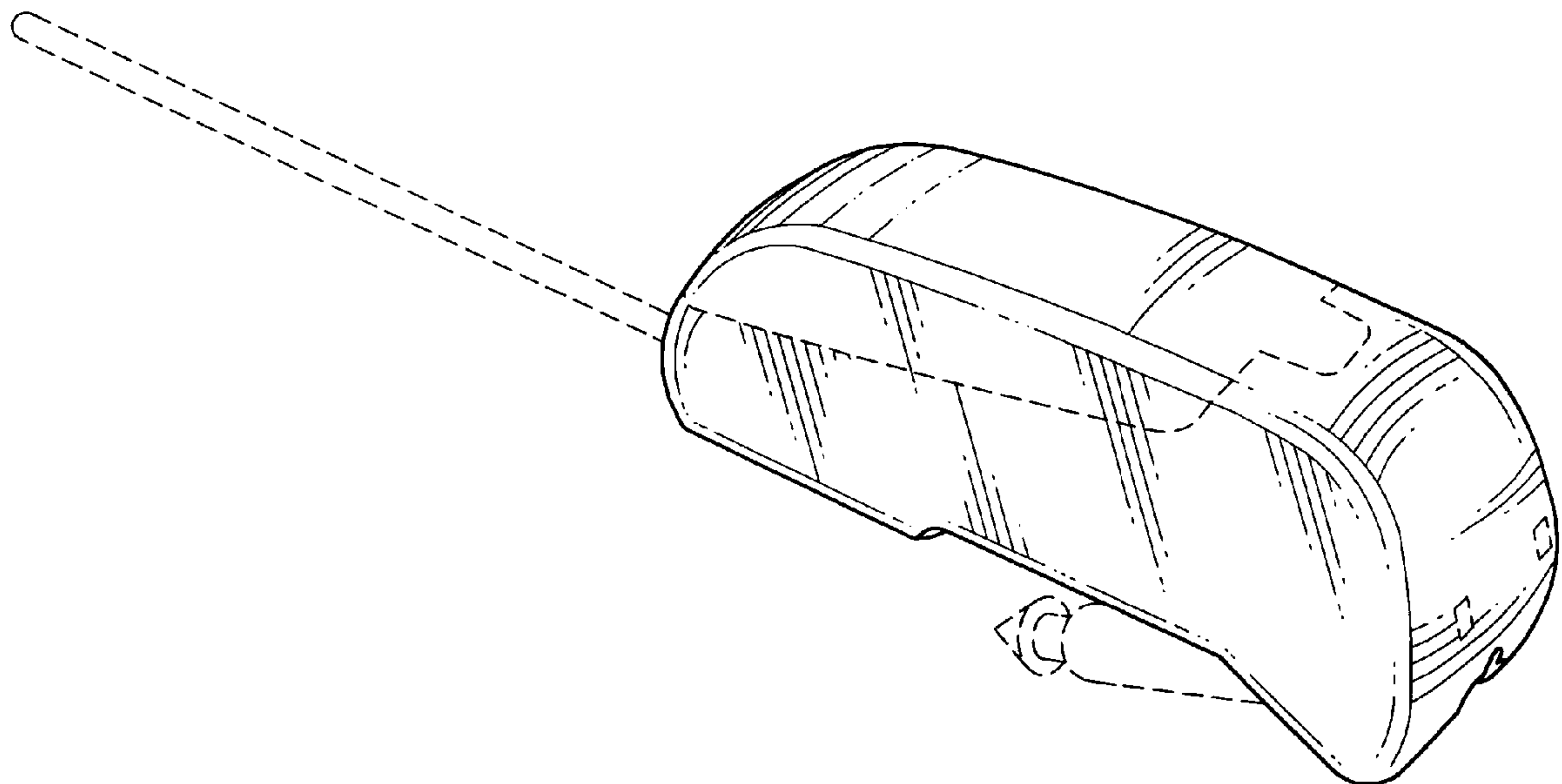
(57) **CLAIM**

The ornamental design for a wireless transmitter for use with musical instruments, as shown and described.

DESCRIPTION

FIG. 1 is a perspective view of the wireless transmitter. FIG. 2 is a side view of the wireless transmitter. FIG. 3 is a top plan view of the wireless transmitter. FIG. 4 is a bottom view of the wireless transmitter. FIG. 5 is a top perspective view of the wireless transmitter; and, FIG. 6 is a bottom perspective view of the wireless transmitter. The broken lines in FIGS. 1-6 are for illustrative purposes only and form no part of the claimed design.

1 Claim, 2 Drawing Sheets



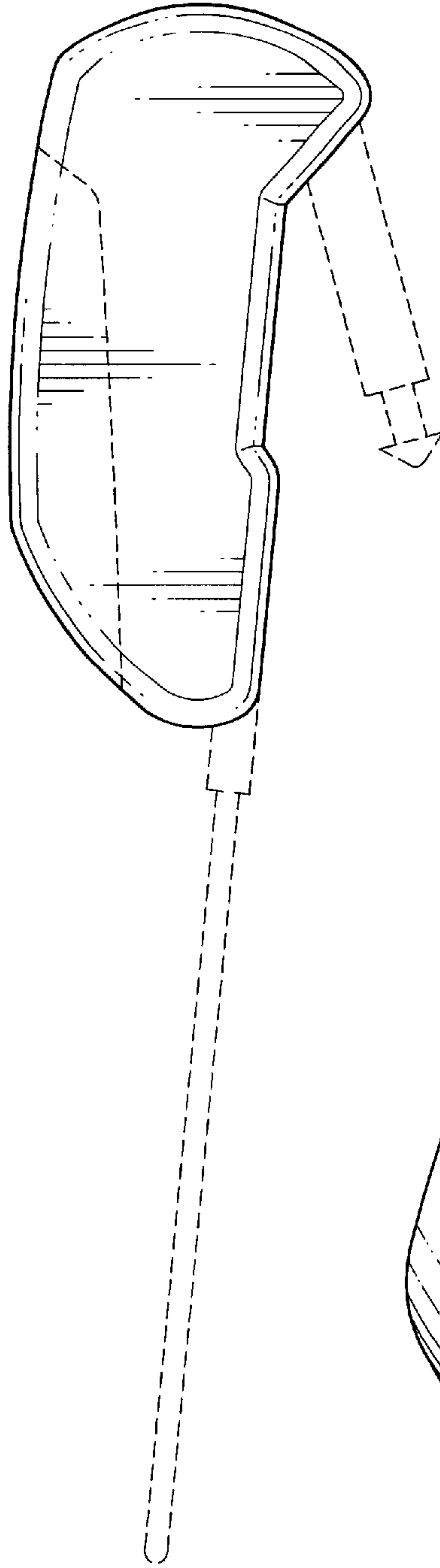
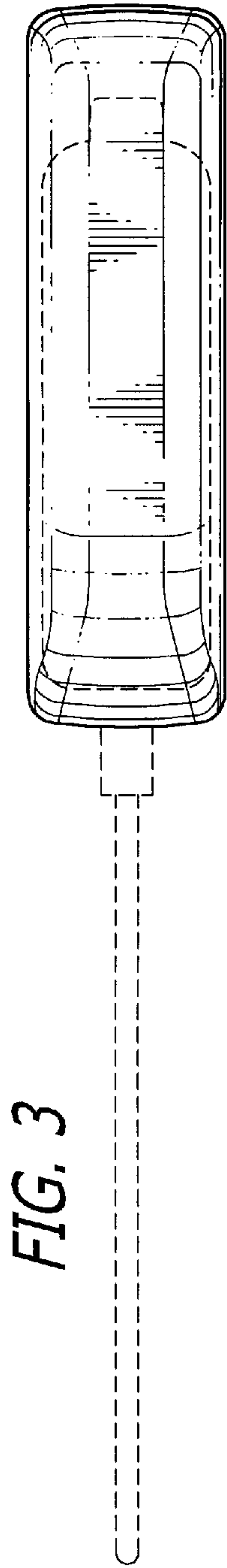


FIG. 2

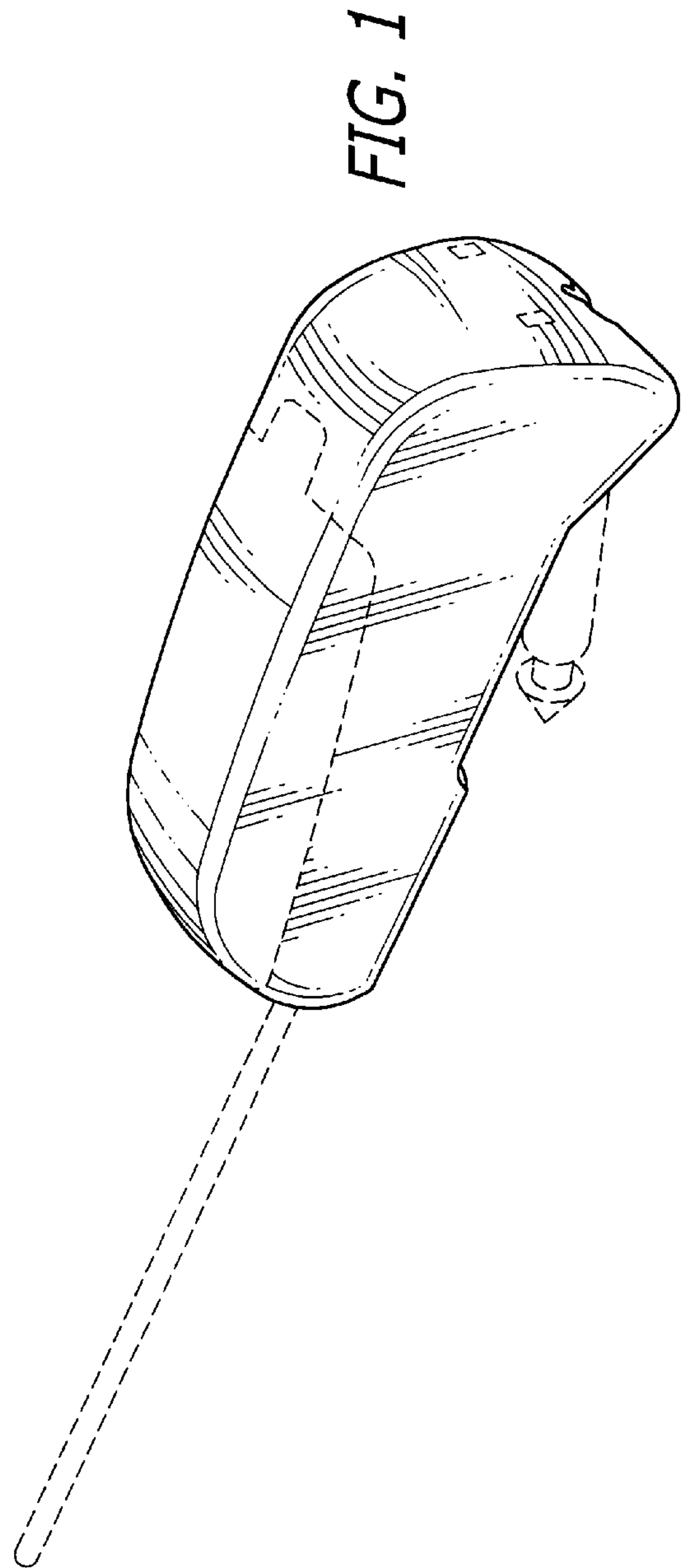


FIG. 1

FIG. 4

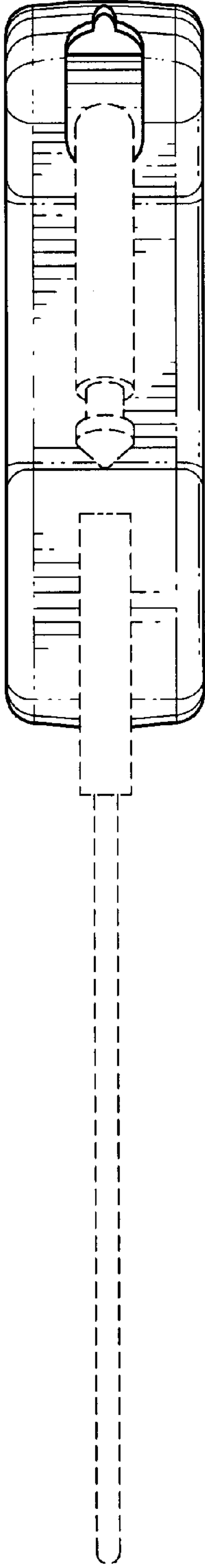


FIG. 6

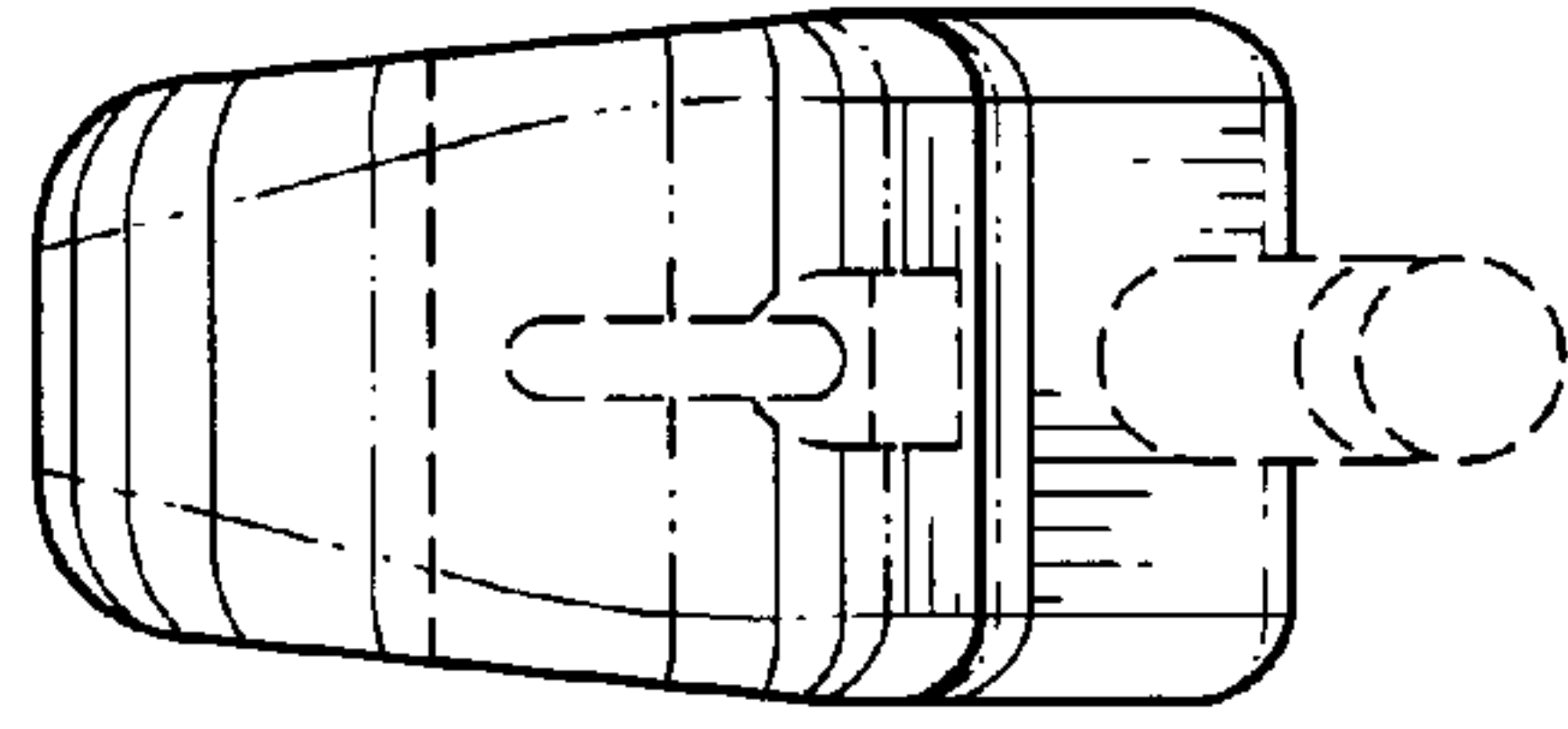


FIG. 5

