



US00D463385S

(12) **United States Design Patent**
Takama

(10) **Patent No.:** **US D463,385 S**

(45) **Date of Patent:** **** Sep. 24, 2002**

(54) **DIGITAL VIDEO RECORDER**

(75) Inventor: **Toshiaki Takama**, Tokyo (JP)

(73) Assignee: **Kabushiki Kaisha Toshiba**, Kawasaki (JP)

(**) Term: **14 Years**

(21) Appl. No.: **29/139,924**

(22) Filed: **Apr. 10, 2001**

(30) **Foreign Application Priority Data**

Nov. 30, 2000 (JP) 2000-034168

(51) **LOC (7) Cl.** **14-01**

(52) **U.S. Cl.** **D14/136**

(58) **Field of Search** D14/135-136,
D14/156-157, 167-168, 188, 197-198,
257-258; 369/75.1, 75.2, 77.1, 77.2; 455/344,
347, 350-351

(56) **References Cited**

U.S. PATENT DOCUMENTS

D310,370 S * 9/1990 Repaskey et al. D14/258

D320,789 S * 10/1991 Sogabe D14/156

D373,589 S * 9/1996 Peterson et al. D14/257

D391,957 S * 3/1998 Ito et al. D14/136

D407,711 S * 4/1999 Storti et al. D14/257

* cited by examiner

Primary Examiner—Nanda Bondade

(74) *Attorney, Agent, or Firm*—Banner & Witcoff, Ltd.

(57) **CLAIM**

The ornamental design for a digital video recorder, as shown and described.

DESCRIPTION

FIG. 1 is a top, front and right side perspective view of a digital video recorder showing my new design,

FIG. 2 is a front elevational view thereof,

FIG. 3 is a top plan view thereof,

FIG. 4 is a right side elevational view thereof, left side elevational view being a mirror image,

FIG. 5 is a rear elevational view thereof; and,

FIG. 6 is a bottom plan view thereof.

1 Claim, 3 Drawing Sheets

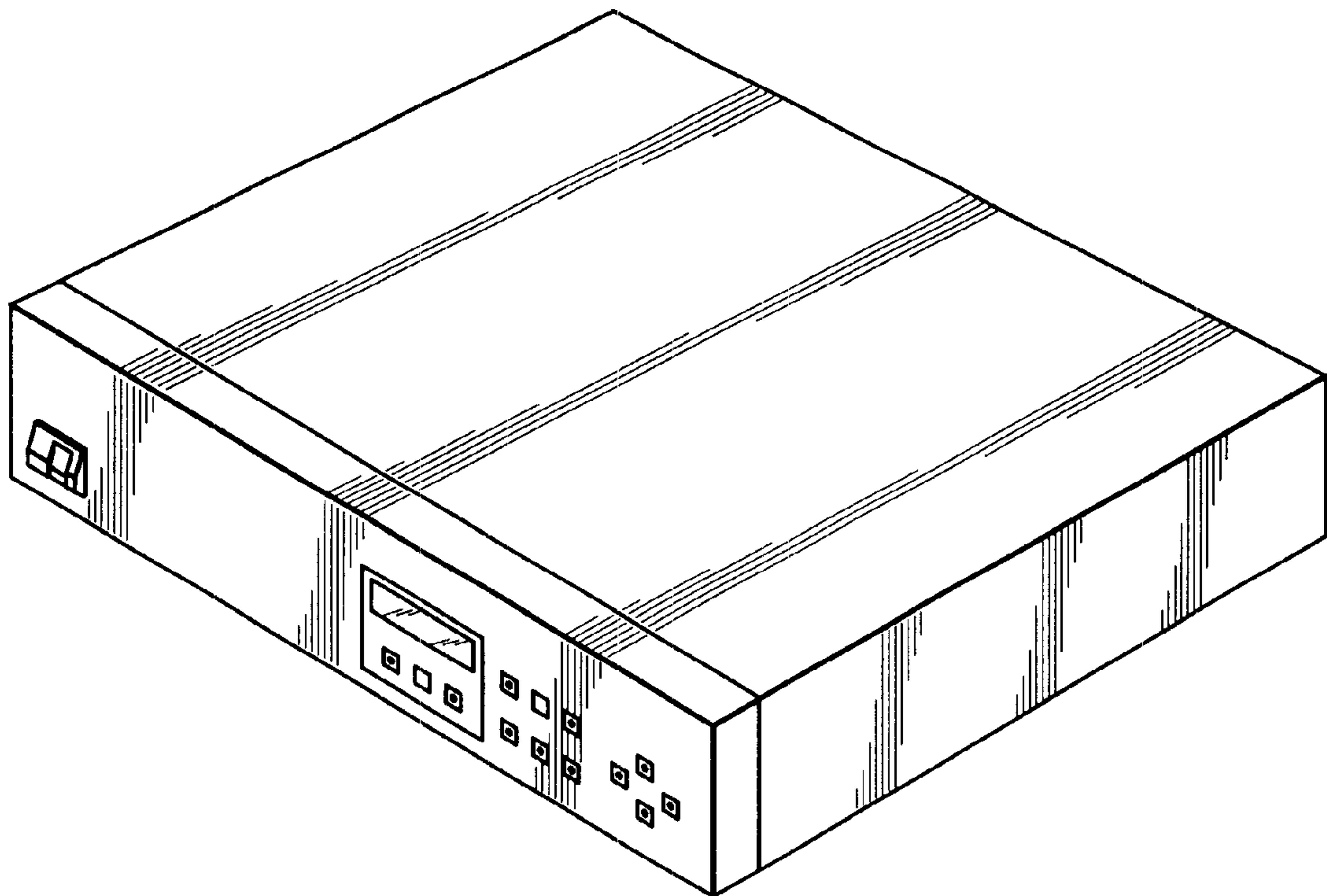


FIG. 1

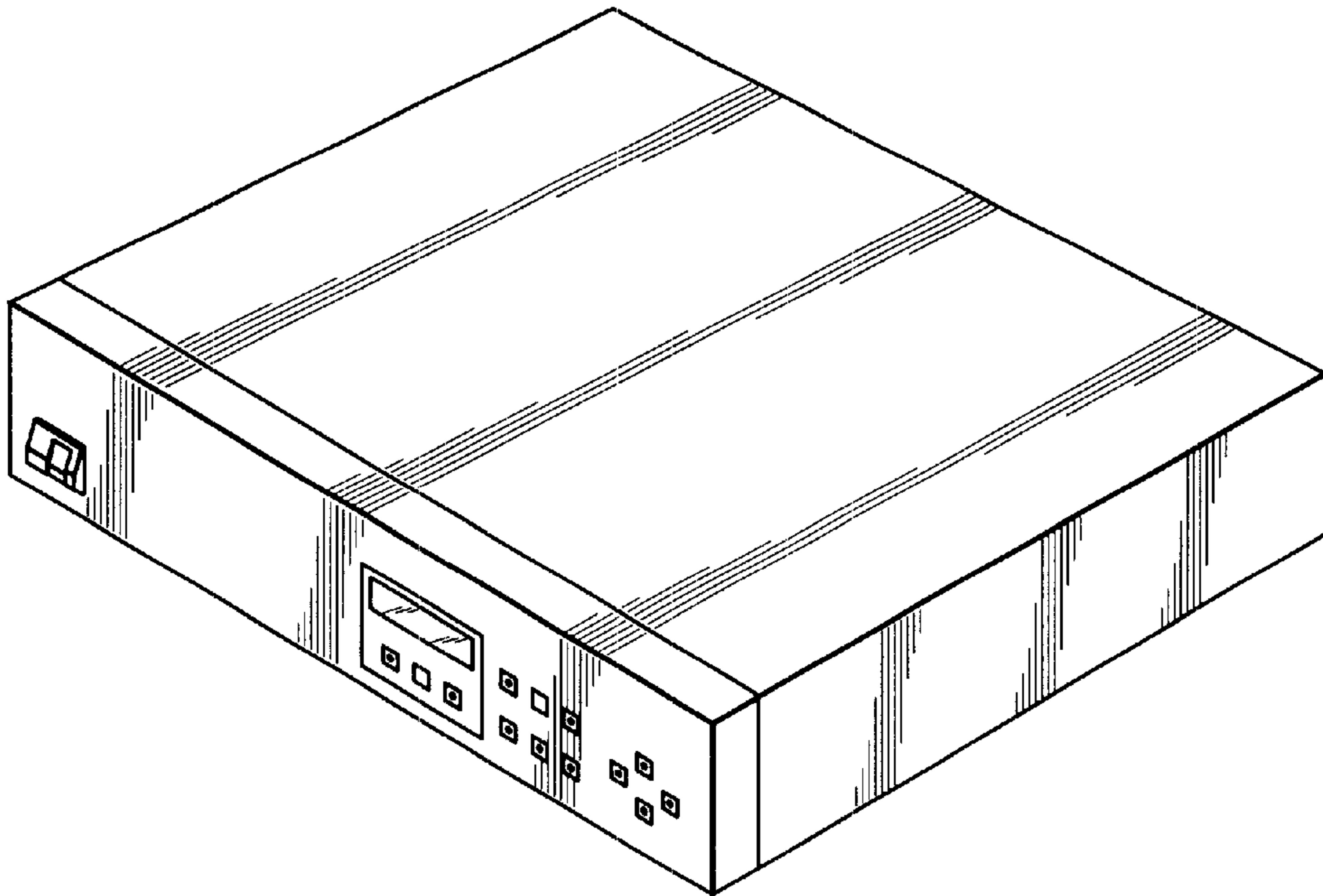


FIG. 2

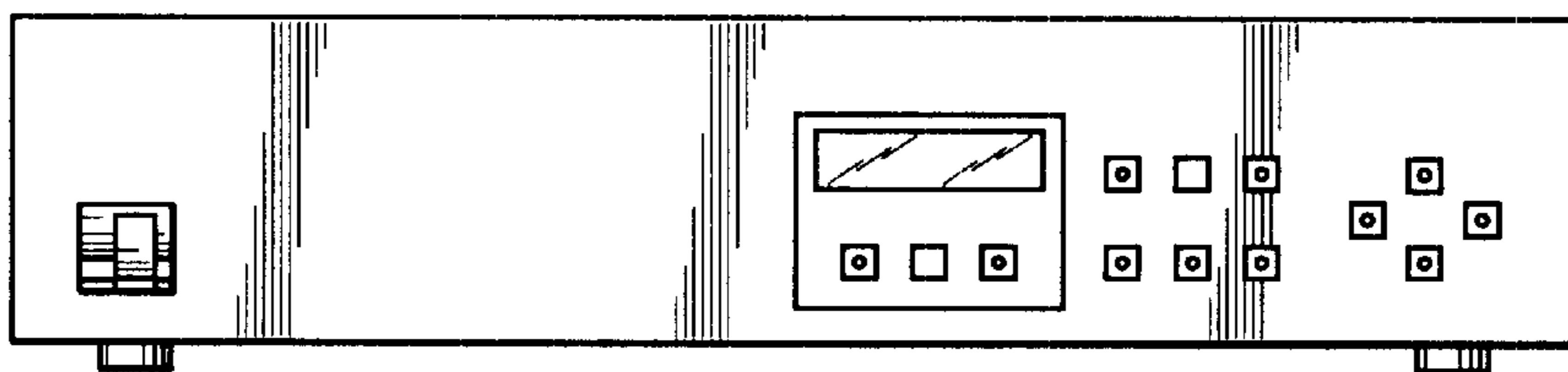


FIG. 3



FIG. 4

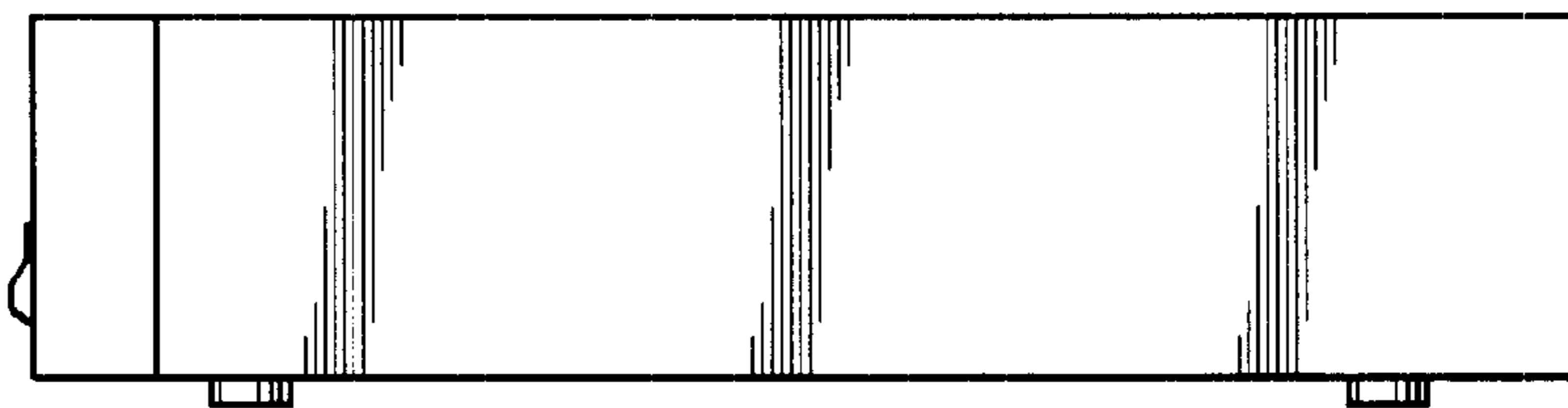


FIG. 5

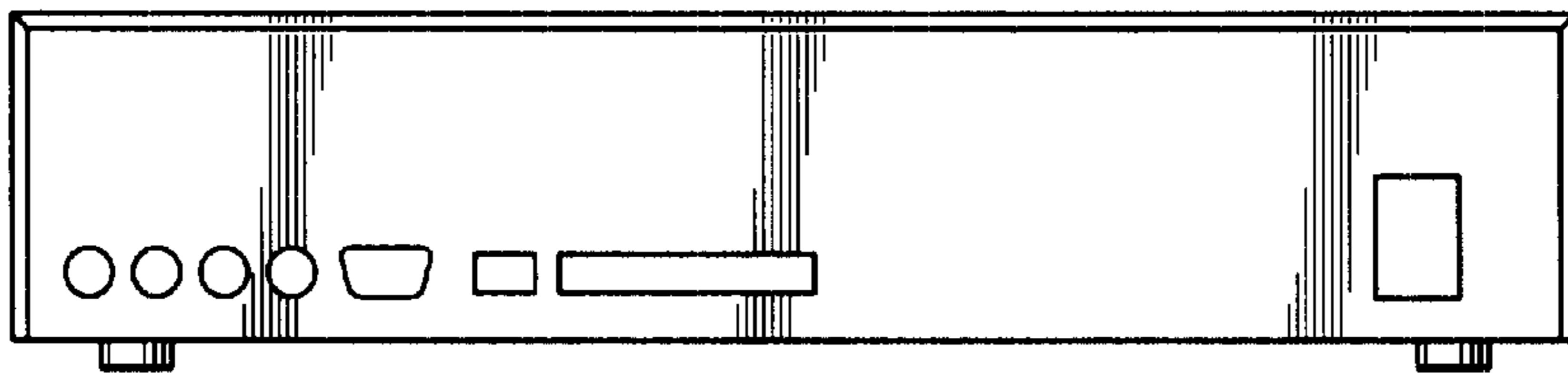


FIG. 6

