



US00D463384S

(12) **United States Design Patent**
Hu

(10) **Patent No.:** **US D463,384 S**

(45) **Date of Patent:** **** Sep. 24, 2002**

(54) **FASTENER FOR A CARD EDGE CONNECTOR**

6,227,887 B1 * 5/2001 Choy 439/160
6,290,519 B1 * 9/2001 Lee 439/157
6,319,027 B1 * 11/2001 Pickles et al. 439/157
6,361,344 B1 * 3/2002 Yu 439/328

(75) Inventor: **Chien-Ming Hu**, Tainan Hsien (TW)

(73) Assignee: **Excel Cell Electronic Co., Inc.**,
Taichung (TW)

(**) Term: **14 Years**

* cited by examiner

Primary Examiner—Ted Shooman

Assistant Examiner—Selina Sikder

(74) *Attorney, Agent, or Firm*—Nixon & Vanderhye P.C.

(21) Appl. No.: **29/140,291**

(57) **CLAIM**

(22) Filed: **Apr. 17, 2001**

The ornamental design for fastener for a card edge connector, as shown and described.

(51) **LOC (7) Cl.** **13-03**

(52) **U.S. Cl.** **D13/199**

(58) **Field of Search** D13/133, 182,
D13/199; D14/432, 433; 211/26; 439/157,
159, 160, 188, 187, 260, 267, 327, 328,
325, 326

DESCRIPTION

FIG. 1 is a perspective view of fastener for a card edge connector showing the new design;
FIG. 2 is a front elevational view thereof;
FIG. 3 is a rear elevational view thereof;
FIG. 4 is a left side elevational view thereof;
FIG. 5 is a right side elevational view thereof;
FIG. 6 is a top plan view thereof;
FIG. 7 is a bottom plan view thereof;
FIG. 8 is a plan view in use wherein the fastener is connected to the connector; and,
FIG. 9 is a plan view in use wherein the fastener is disconnected from the connector.

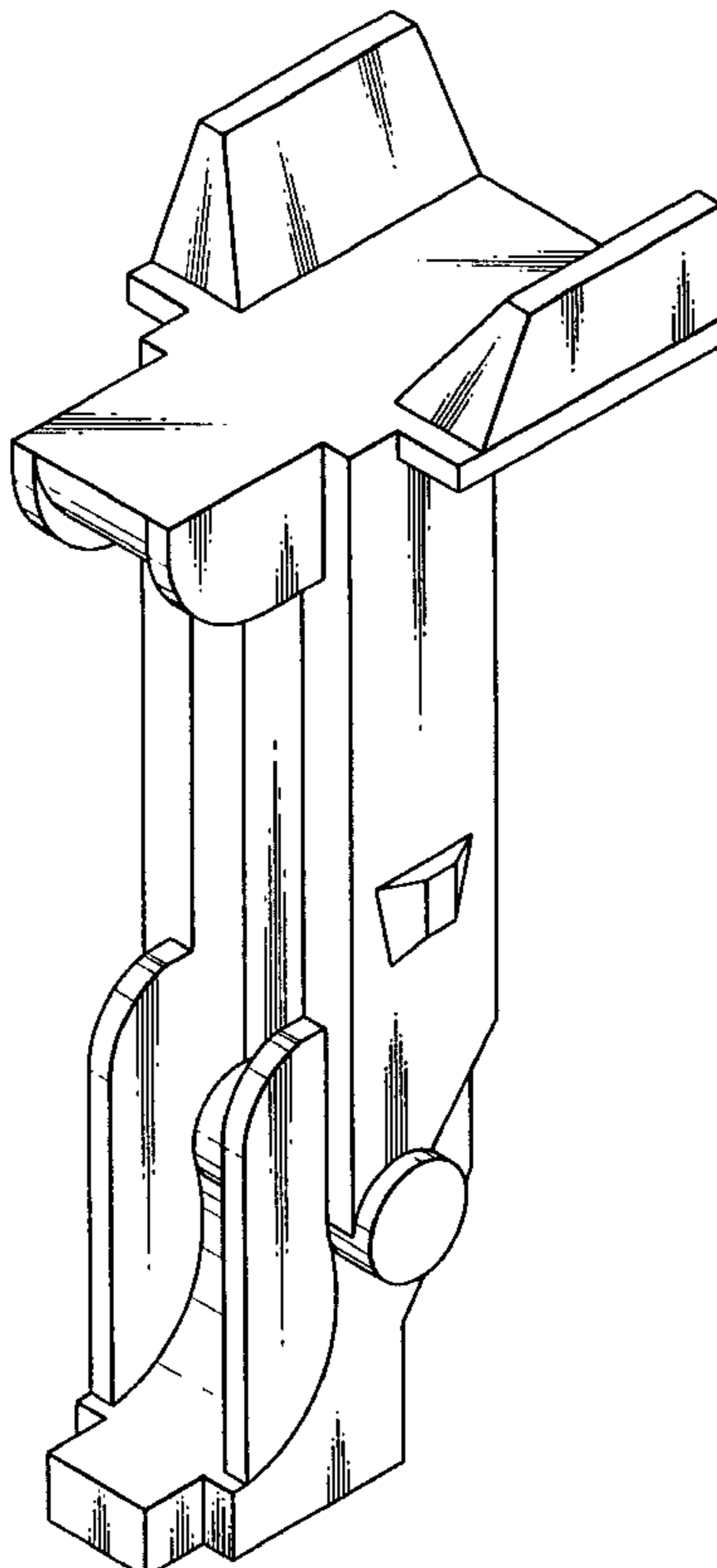
The broken line showing of the environment is for illustrative purpose only and forms not part of the claimed design.

(56) **References Cited**

U.S. PATENT DOCUMENTS

5,558,528 A * 9/1996 Cheng et al. 439/160
5,577,922 A * 11/1996 Enomoto et al. 439/157
5,634,803 A * 6/1997 Cheng et al. 439/157
5,672,069 A * 9/1997 Cheng et al. 439/160
5,730,611 A * 3/1998 Cheng et al. 439/160
5,746,613 A * 5/1998 Cheng et al. 439/157
5,746,614 A * 5/1998 Cheng et al. 439/157
6,098,814 A * 8/2000 Ma 211/26
6,113,404 A * 9/2000 Choy 439/160

1 Claim, 6 Drawing Sheets



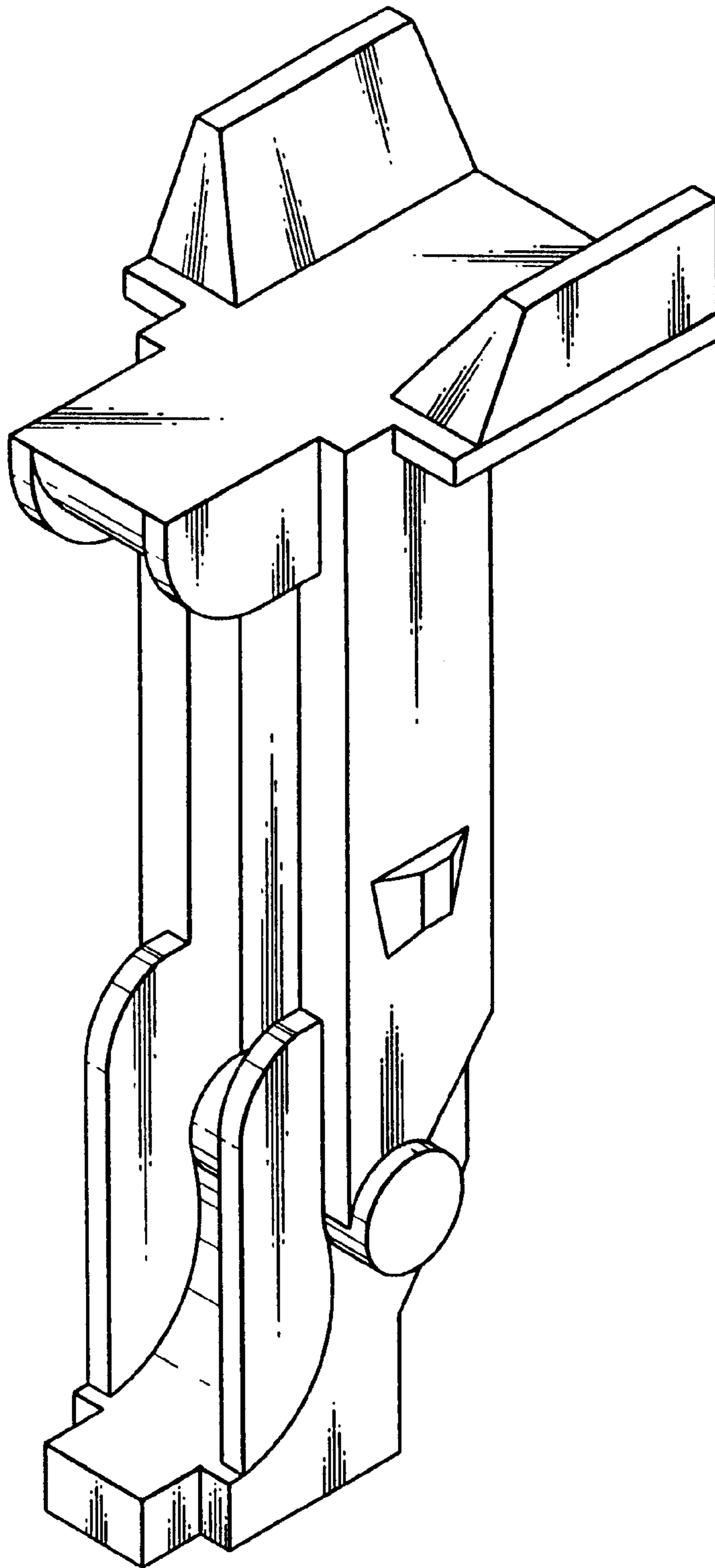


FIG. 1

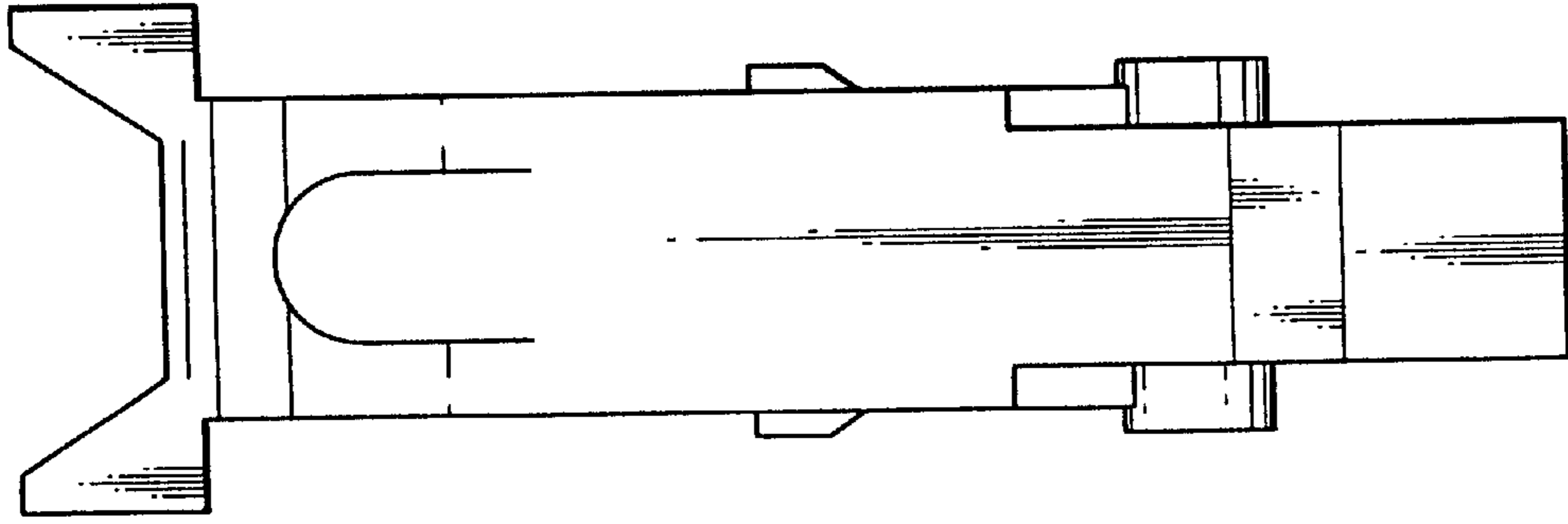


FIG. 3

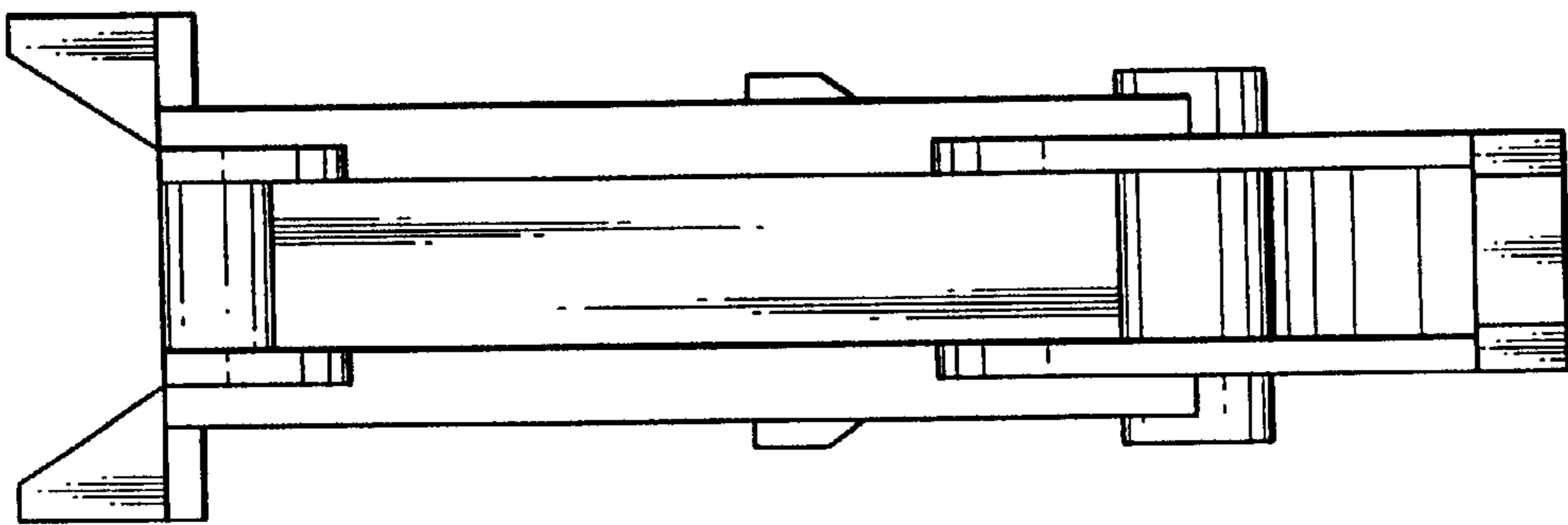


FIG. 2

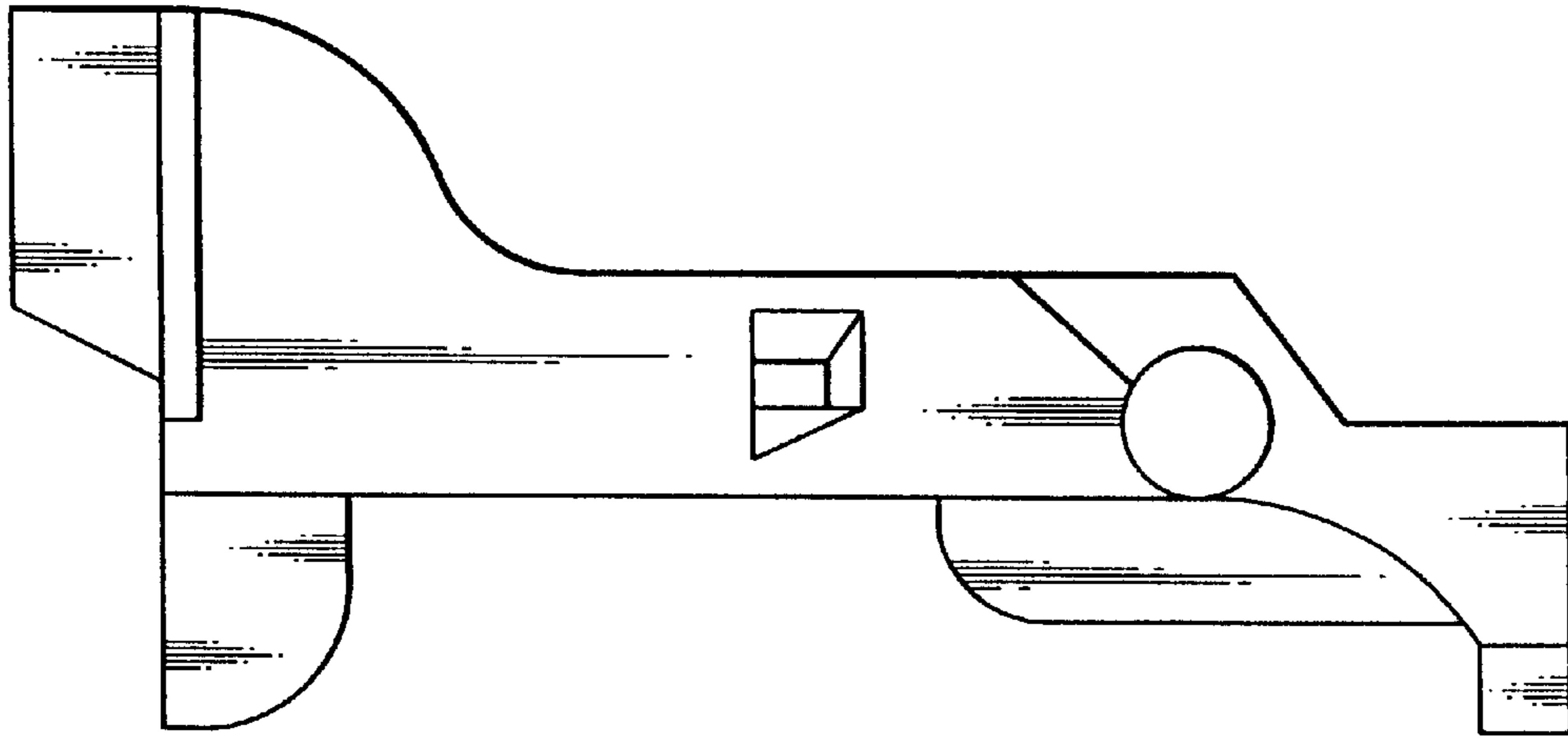


FIG. 5

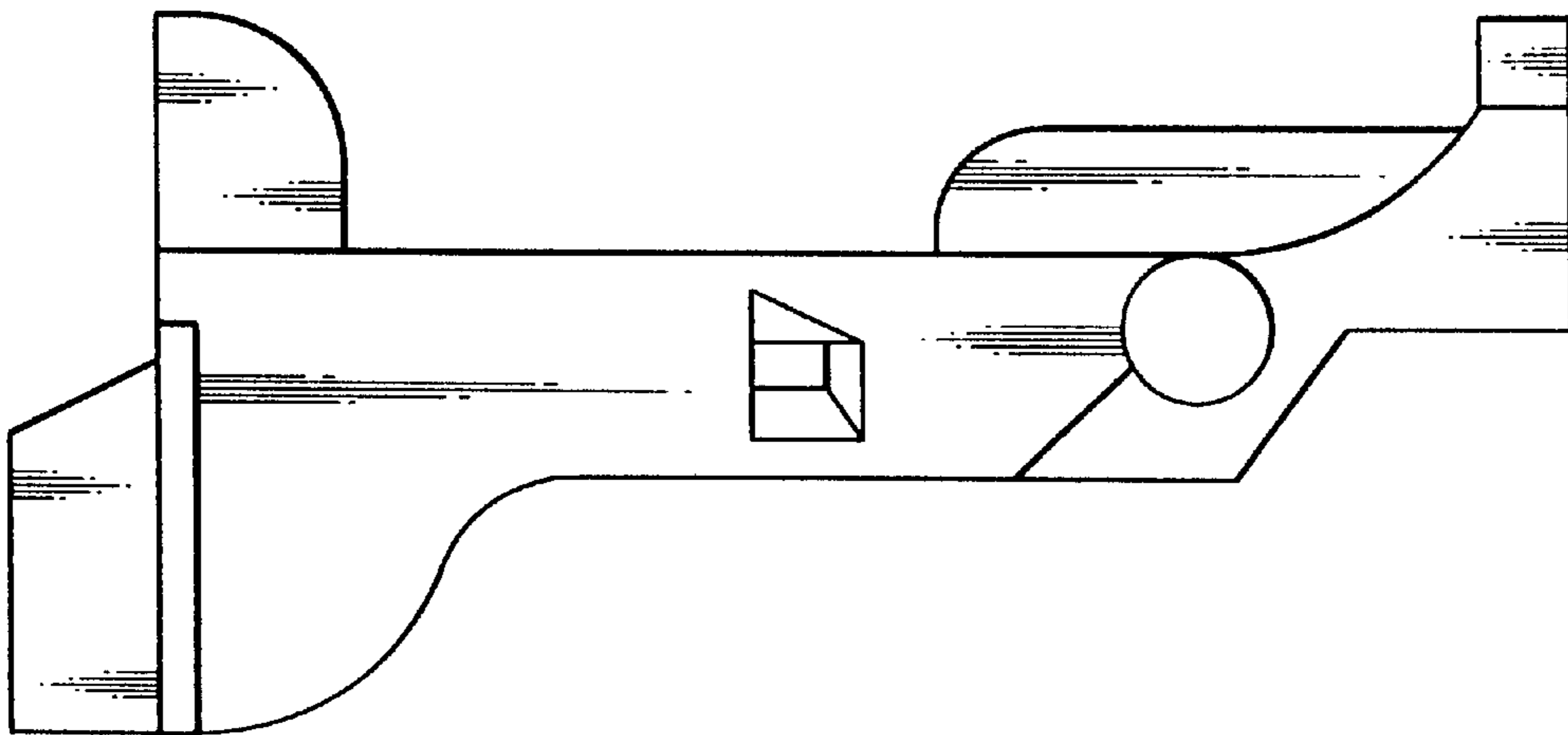


FIG. 4

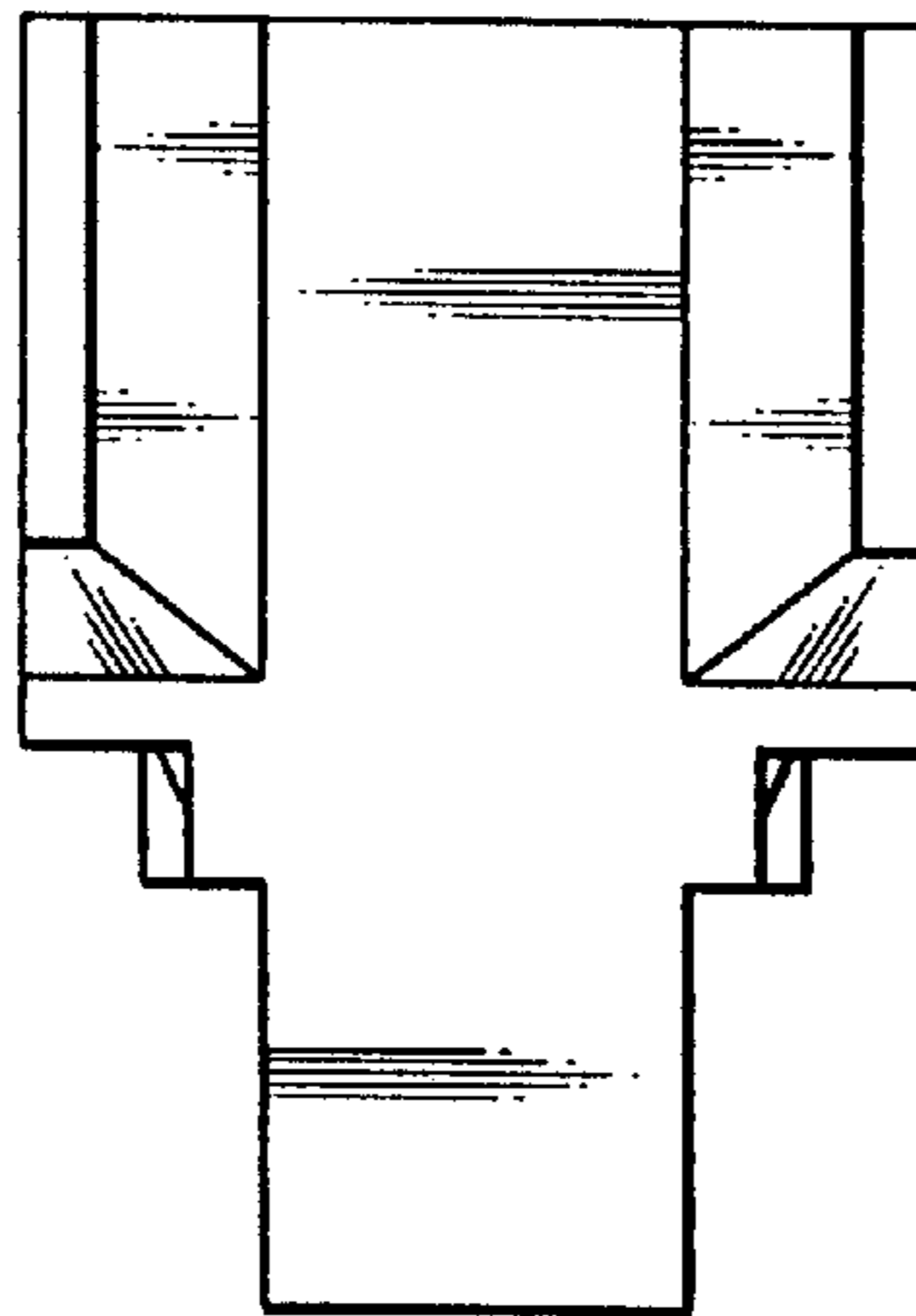


FIG. 6

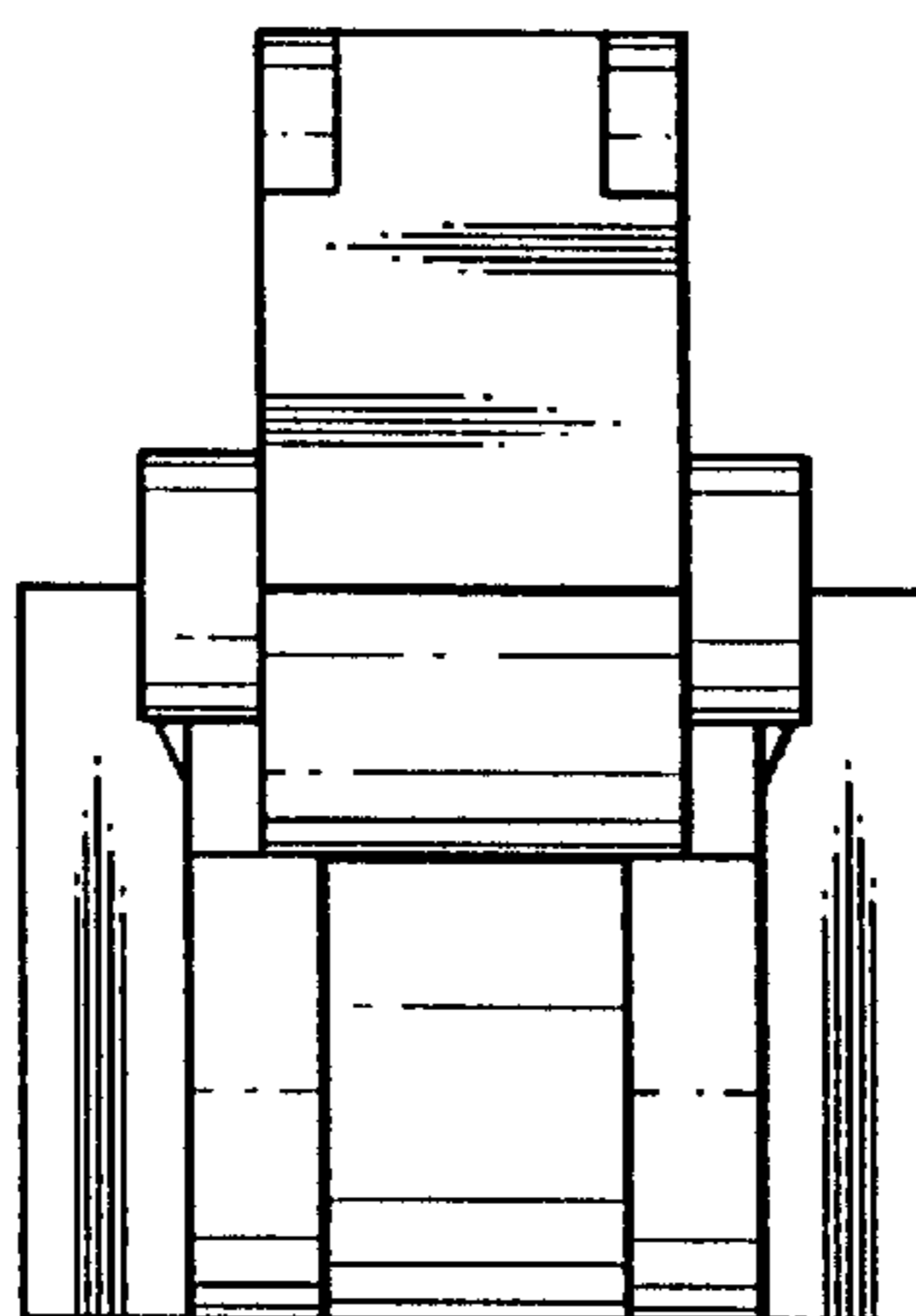


FIG. 7

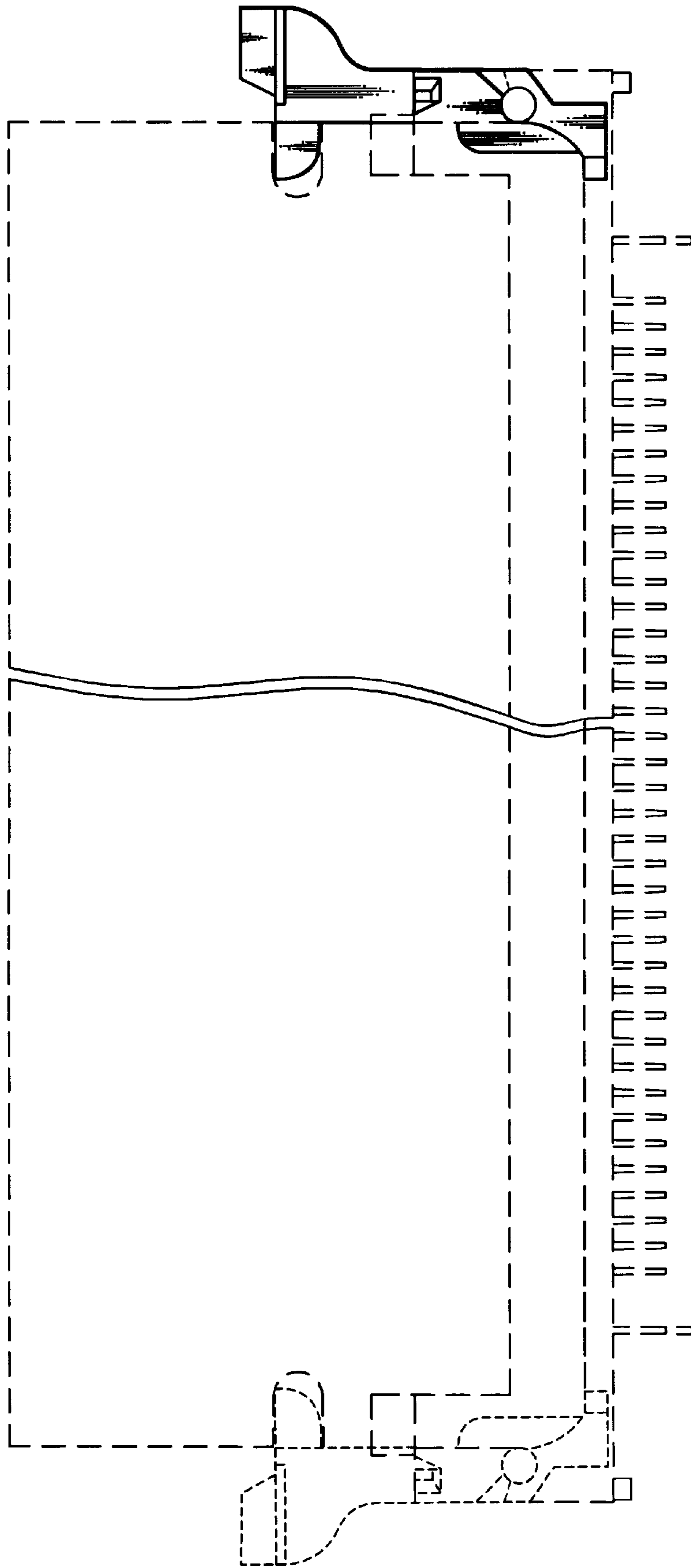


FIG. 8

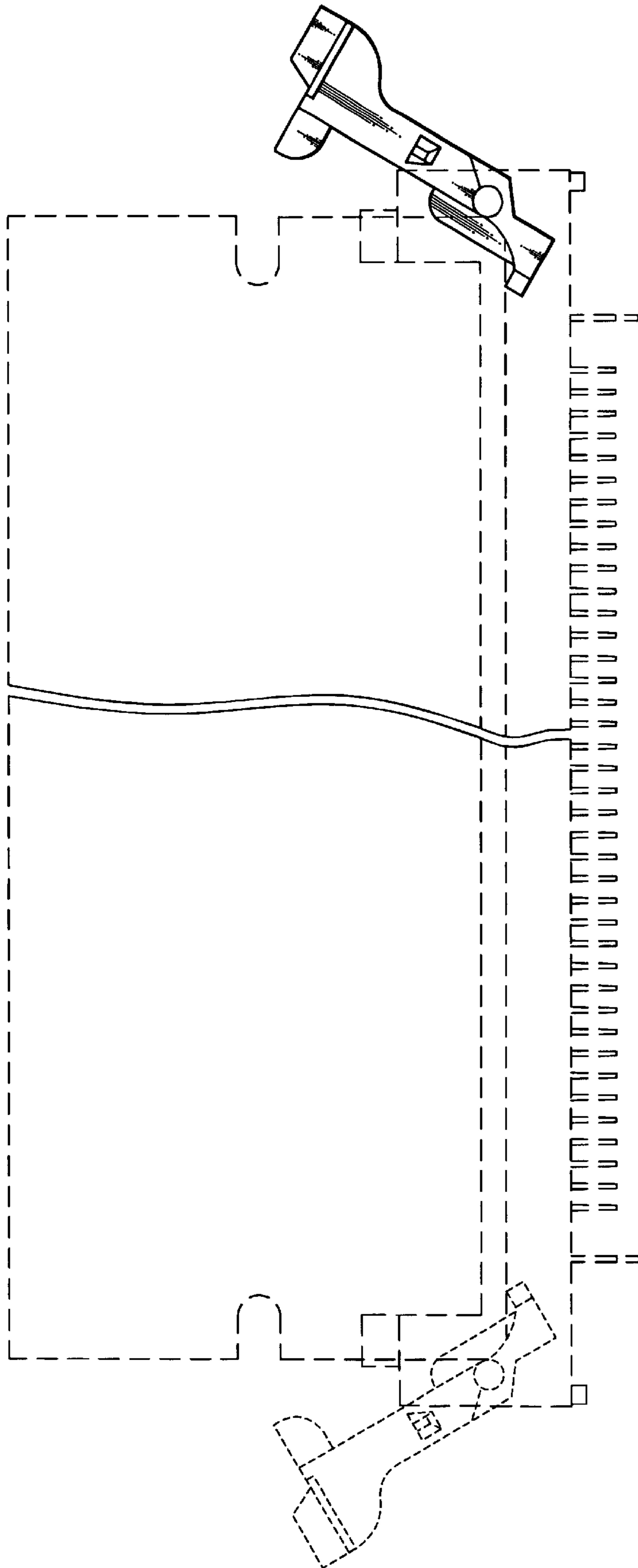


FIG. 9