



US00D463383S

(12) **United States Design Patent**
Hwang

(10) **Patent No.:** **US D463,383 S**

(45) **Date of Patent:** **** Sep. 24, 2002**

(54) **GBIC CAGE**

(75) **Inventor:** **Jenq-Yih Hwang, Irvine, CA (US)**

(73) **Assignee:** **Hon Hai Precision Ind. Co., Ltd.,
Taipei Hsien (TW)**

(**) **Term:** **14 Years**

(21) **Appl. No.:** **29/143,966**

(22) **Filed:** **Jun. 21, 2001**

(51) **LOC (7) Cl.** **13-03**

(52) **U.S. Cl.** **D13/184**

(58) **Field of Search** **D9/414; D13/103,
D13/110, 184, 199; 361/683, 684, 730,
752, 753, 760, 790, 818, 808; 439/761.1,
135, 138, 92**

(56) **References Cited**

U.S. PATENT DOCUMENTS

5,757,998	A	*	5/1998	Thatcher et al.	385/75
5,767,999	A	*	6/1998	Kayner	359/163
6,074,228	A	*	6/2000	Berg et al.	439/180
RE36,820	E	*	8/2000	McGinley et al.	361/752
6,135,793	A	*	10/2000	Babineau	439/92

6,178,096	B1	*	1/2001	Flickinger et al.	361/816
6,203,333	B1	*	3/2001	Medina et al.	439/76.1
6,215,666	B1	*	4/2001	Hileman et al.	361/752
6,241,534	B1	*	6/2001	Neer et al.	439/76.1
6,304,436	B1	*	10/2001	Branch et al.	361/683
6,305,955	B1	*	10/2001	Billman	439/138
6,351,394	B1	*	2/2002	Cunningham	361/818

* cited by examiner

Primary Examiner—Ted Shooman

Assistant Examiner—Selina Sikder

(74) *Attorney, Agent, or Firm*—Wei Te Chung

(57) **CLAIM**

The ornamental design for a GBIC cage, as shown and described.

DESCRIPTION

FIG. 1 is a perspective view of a GBIC cage showing my new design;

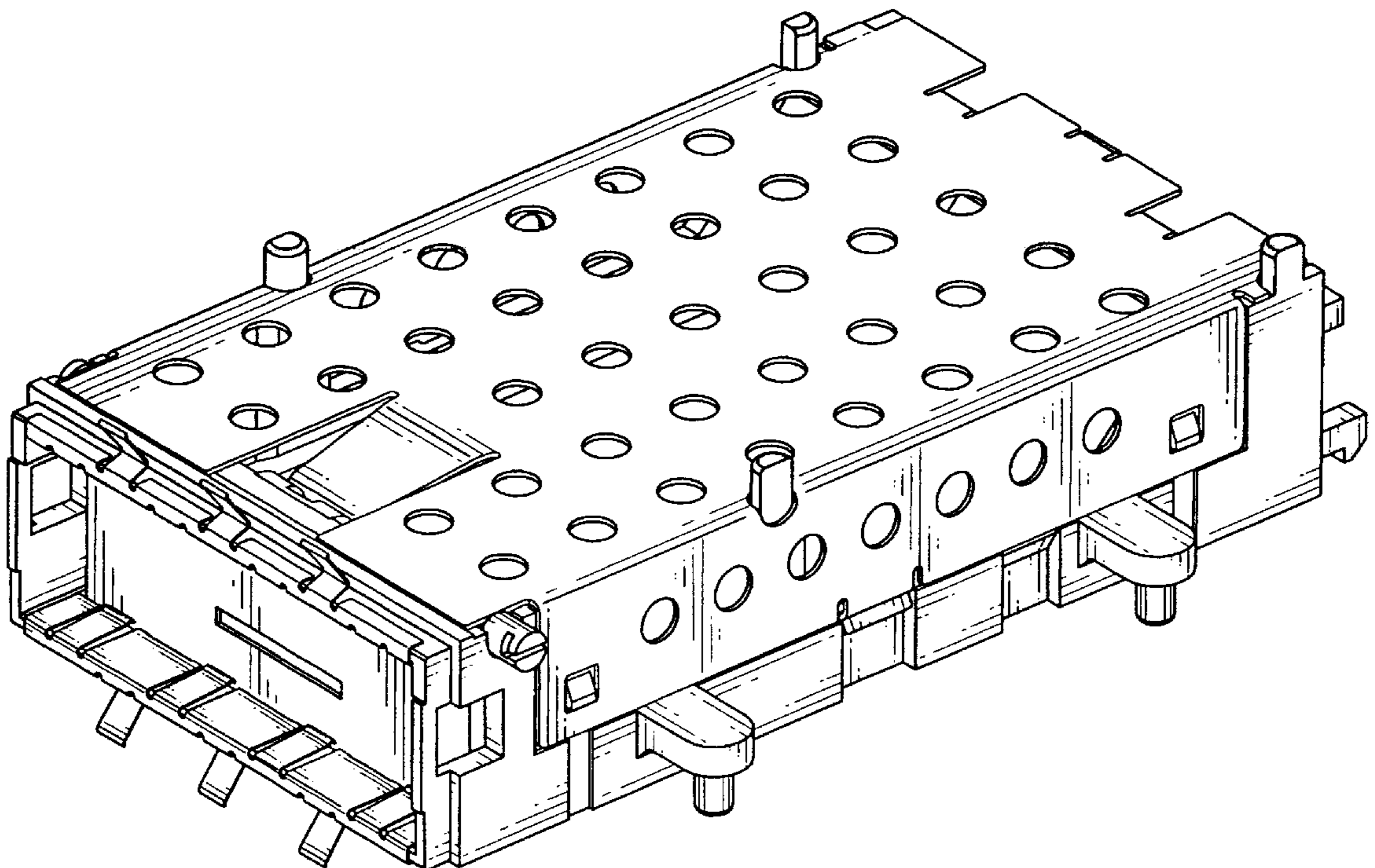
FIG. 2 is a front view thereof;

FIG. 3 is a left side elevational view thereof;

FIG. 4 is a right side elevational view thereof; and,

FIG. 5 is a top plan view thereof.

1 Claim, 4 Drawing Sheets



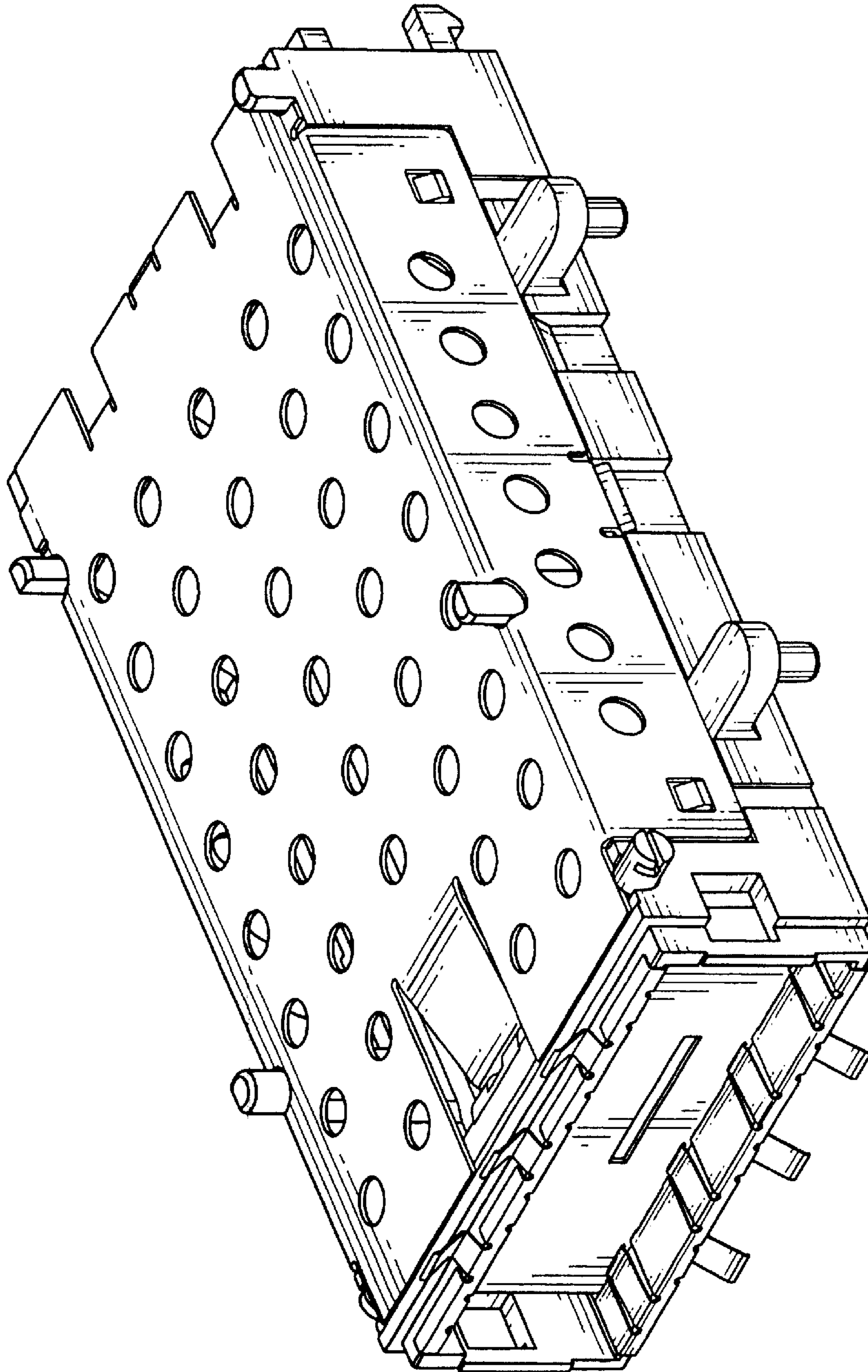


FIG. 1

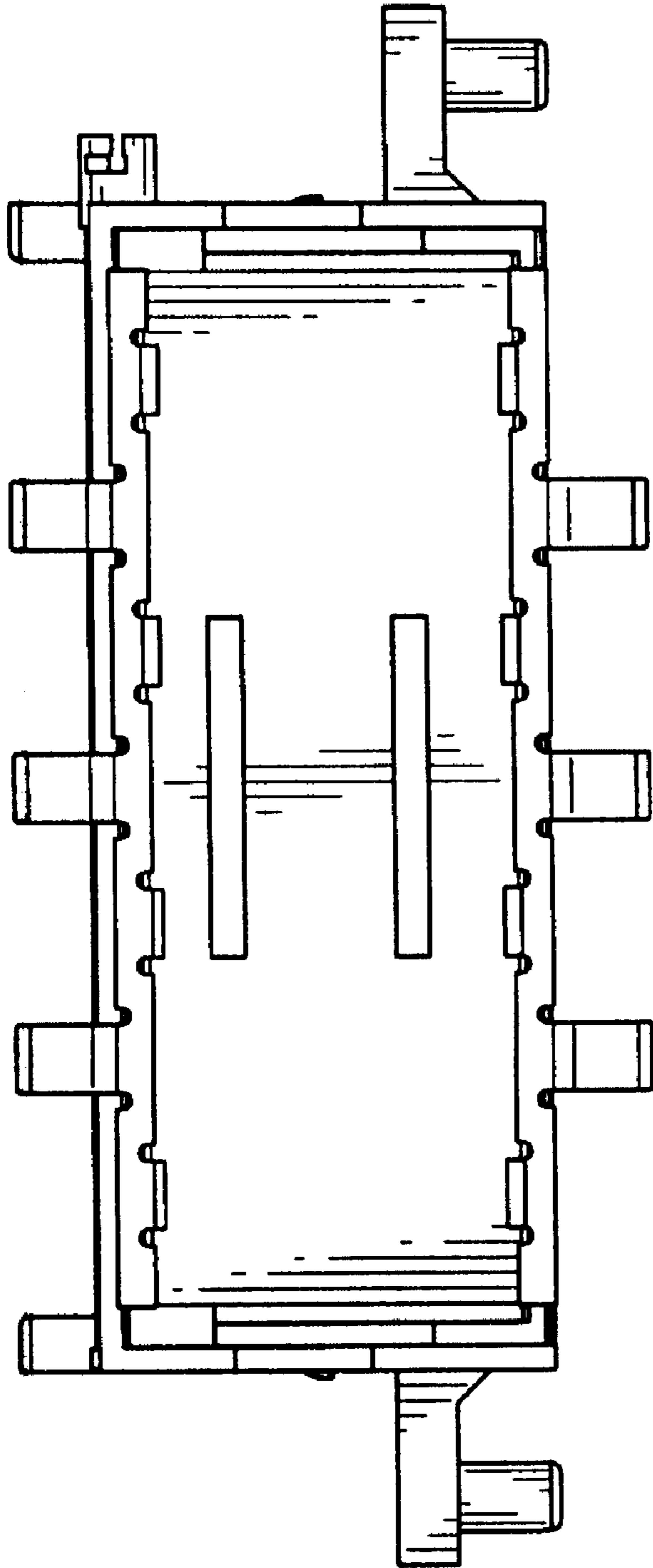


FIG. 2

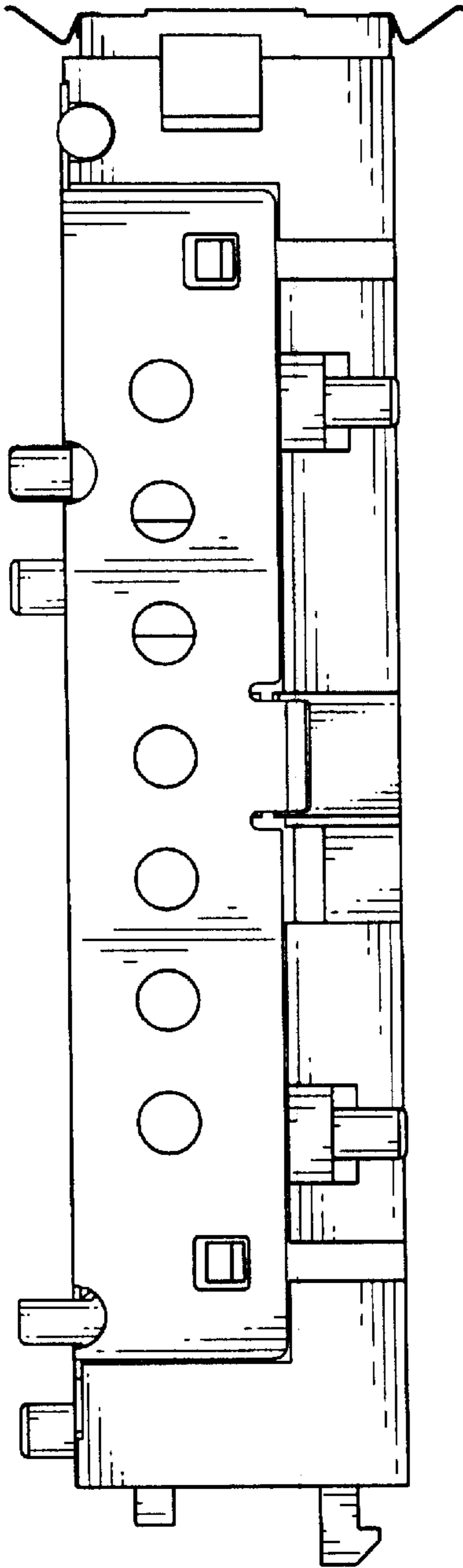


FIG. 3

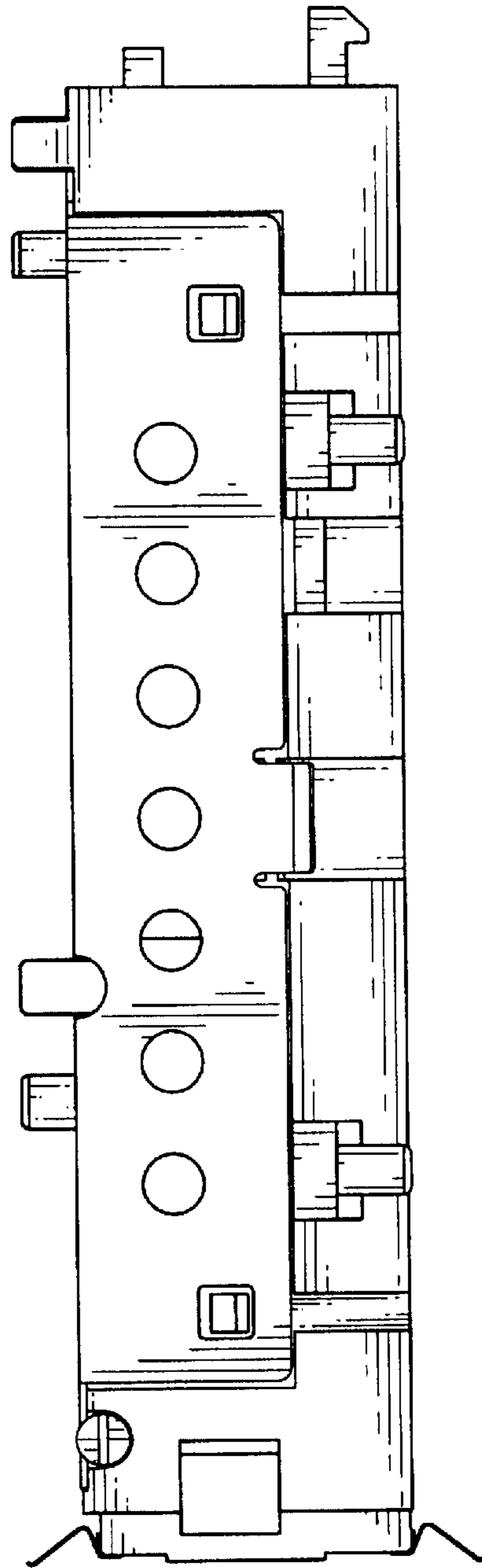


FIG. 4

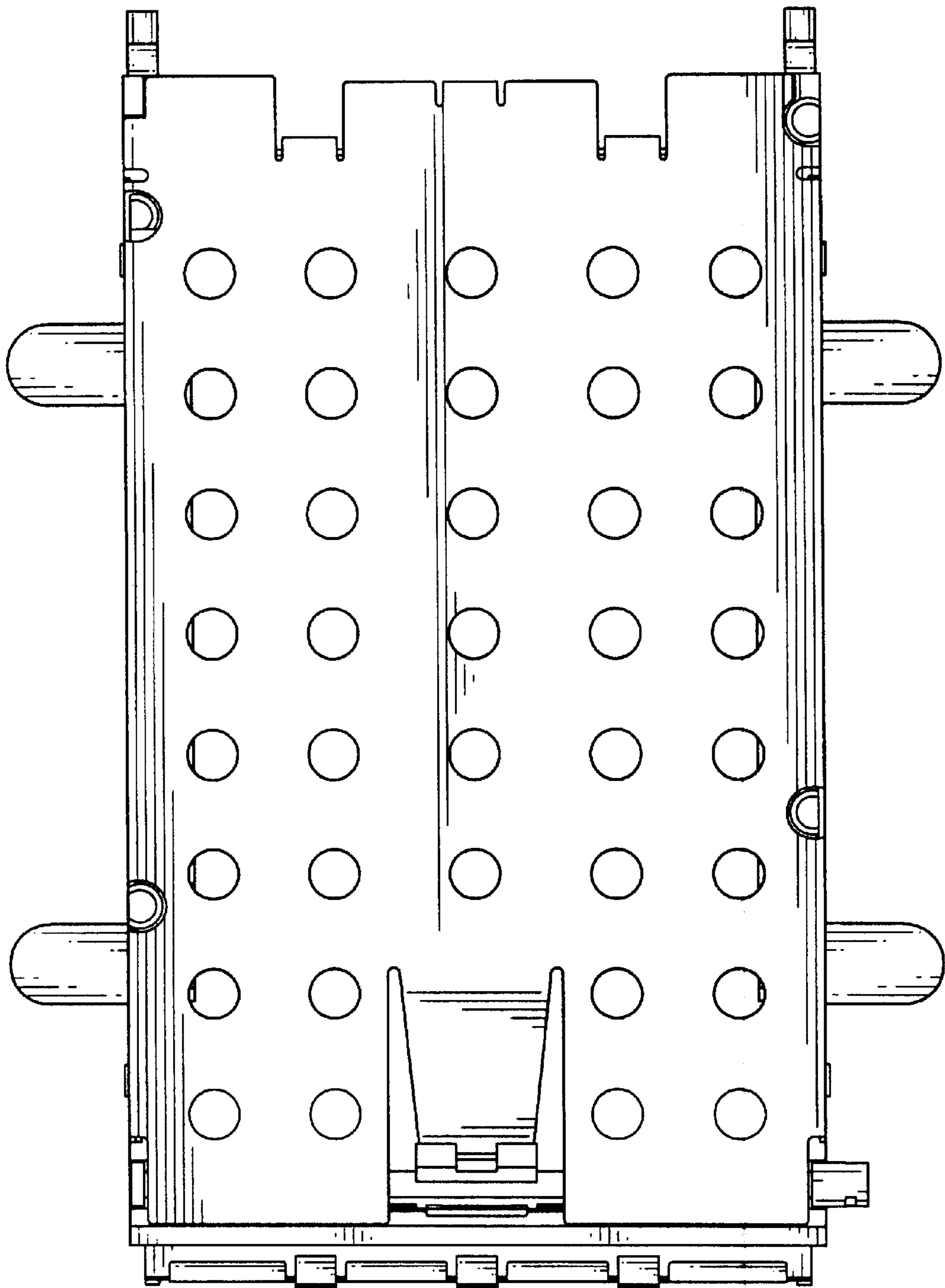


FIG. 5