



US00D463382S

(12) **United States Design Patent** (10) **Patent No.:** **US D463,382 S**
Jacoby (45) **Date of Patent:** **** Sep. 24, 2002**

(54) **DUAL SLIDE ACTION FAN AND LIGHT CONTROL**

(75) Inventor: **Elliot Jacoby**, Glenside, PA (US)

(73) Assignee: **Lutron Electronics Co., Inc.**,
Coopersburg, PA (US)

(**) Term: **14 Years**

(21) Appl. No.: **29/133,179**

(22) Filed: **Nov. 22, 2000**

(51) **LOC (7) Cl.** **13-13**

(52) **U.S. Cl.** **D13/170**

(58) **Field of Search** D13/162, 170,
D13/171, 174; 200/238, 252, 547, 548,
549, 550, 551

(56) **References Cited**

U.S. PATENT DOCUMENTS

D241,853 S	*	10/1976	Spira	D13/170
D248,944 S	*	8/1978	Godfrey	D13/170
4,131,870 A	*	12/1978	Hilgendorf et al.	338/183
4,196,406 A	*	4/1980	Salem	333/141
4,369,424 A	*	1/1983	Miyamoto	338/161
4,947,054 A	*	8/1990	Flowers et al.	307/125

D325,567 S	*	4/1992	Jacoby, Jr. et al.	D13/170
D329,635 S	*	9/1992	Tsai	D13/110
D336,744 S	*	6/1993	Kahn et al.	D13/171
5,577,602 A	*	11/1996	Conner et al.	200/331
D384,038 S	*	9/1997	Ko	D13/162
D405,061 S	*	2/1999	Thomas	D13/170

* cited by examiner

Primary Examiner—Ted Shooman

Assistant Examiner—Selina Sikder

(74) *Attorney, Agent, or Firm*—Ostrolenk, Faber, Gerb & Soffen, LLP

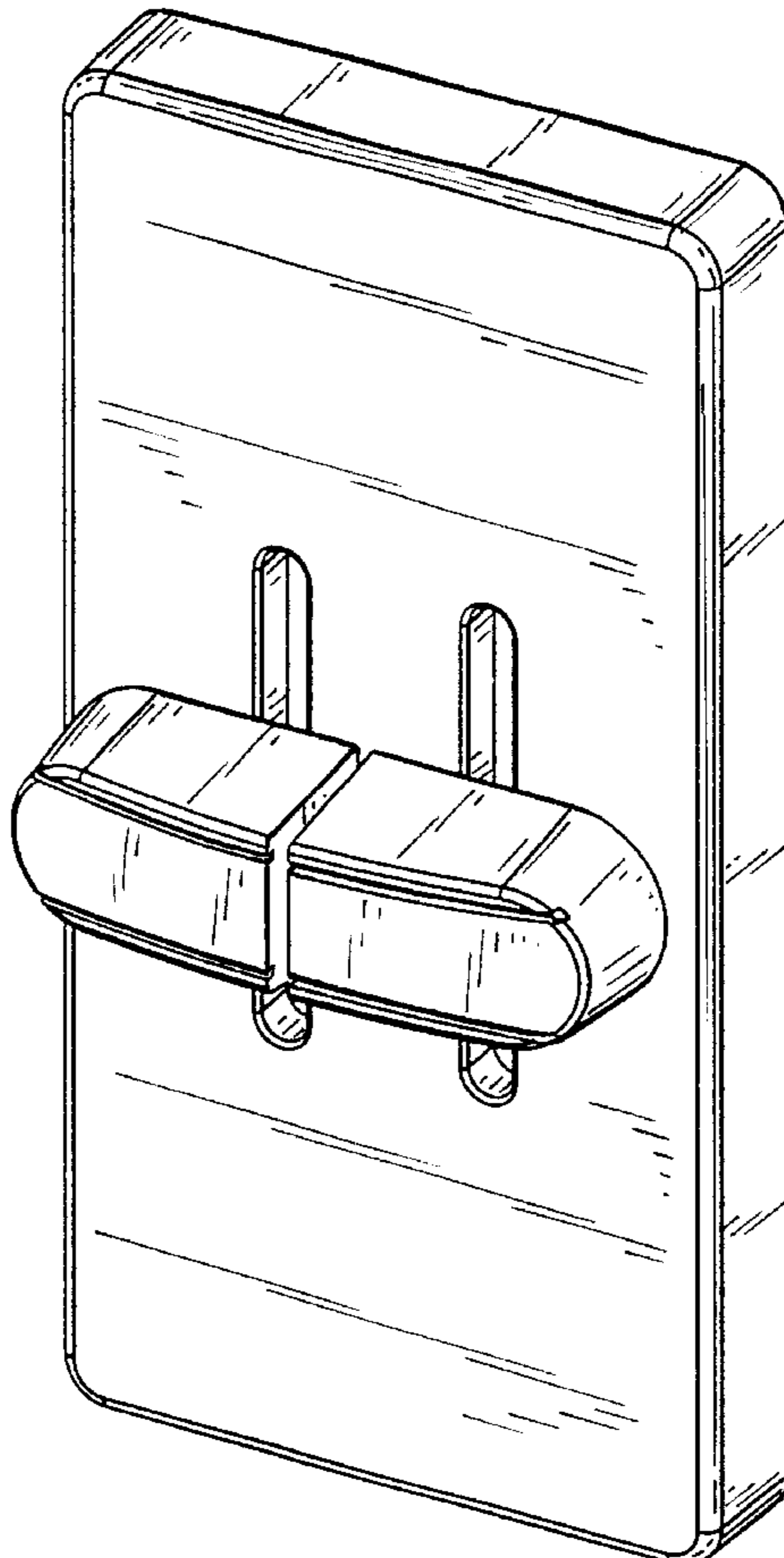
(57) **CLAIM**

The ornamental design for dual slide action fan and light control, as shown and described.

DESCRIPTION

FIG. 1 is a front perspective view of dual slide action fan and light control showing my new design;
 FIG. 2 is a front view thereof;
 FIG. 3 is a left side view thereof;
 FIG. 4 is a right side view thereof;
 FIG. 5 is a top view thereof; and,
 FIG. 6 is a bottom view.

1 Claim, 4 Drawing Sheets



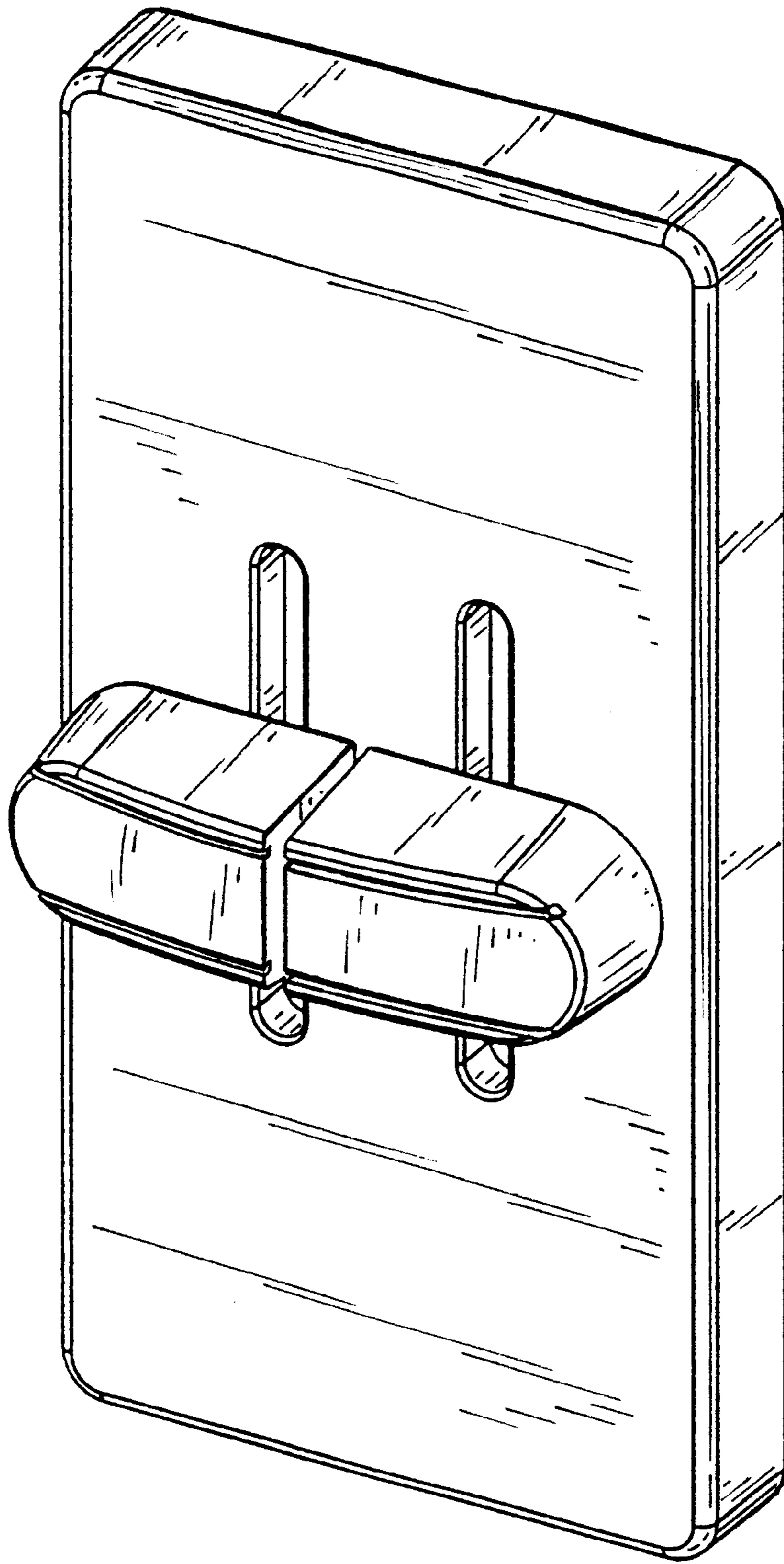


FIG. 1

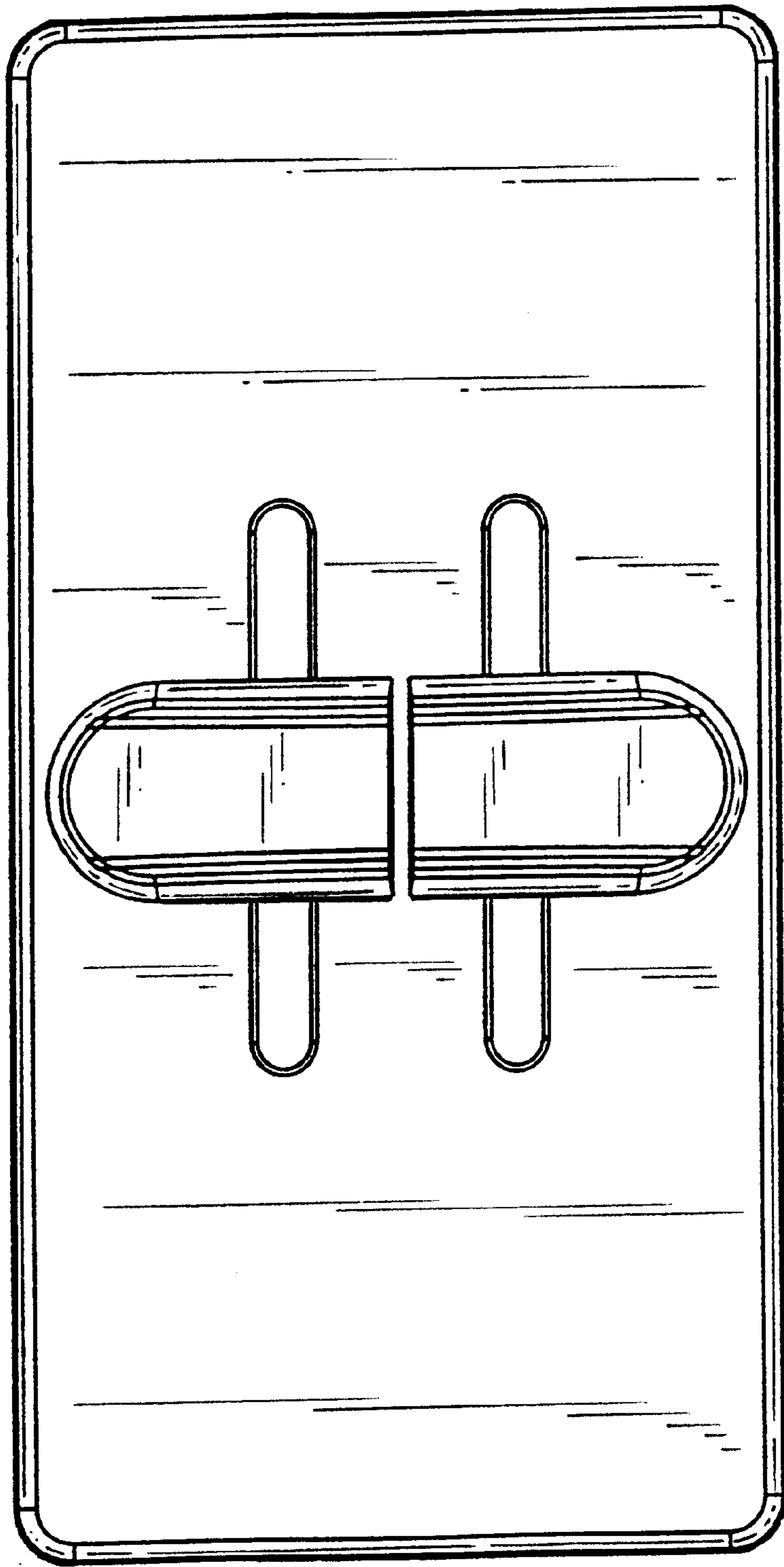


FIG. 2

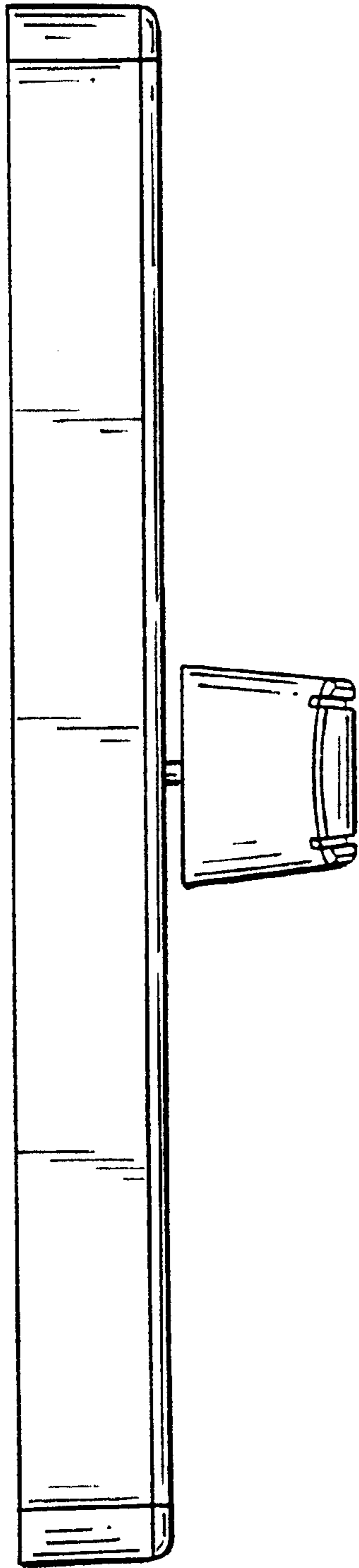


FIG. 3

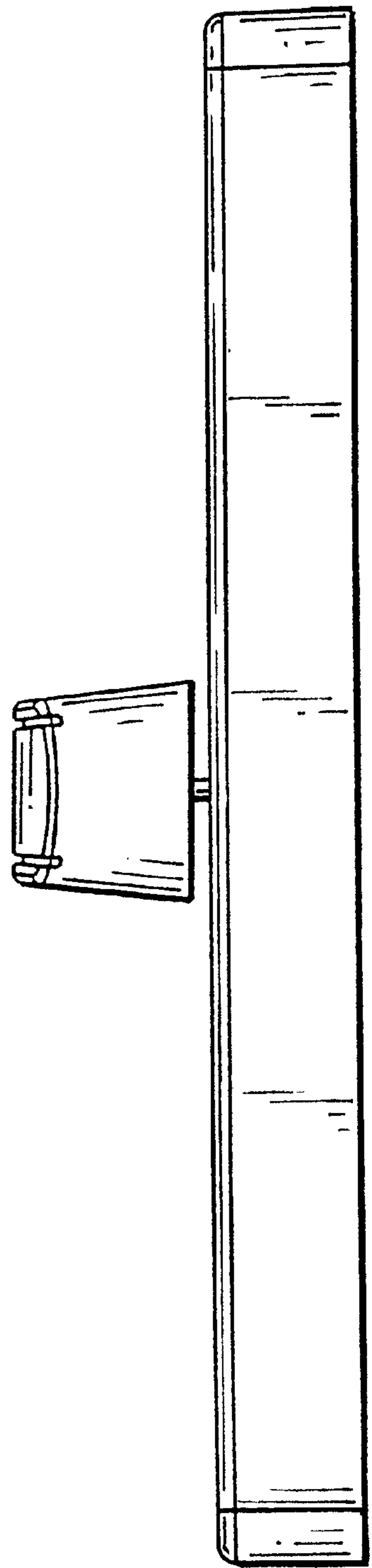


FIG. 4

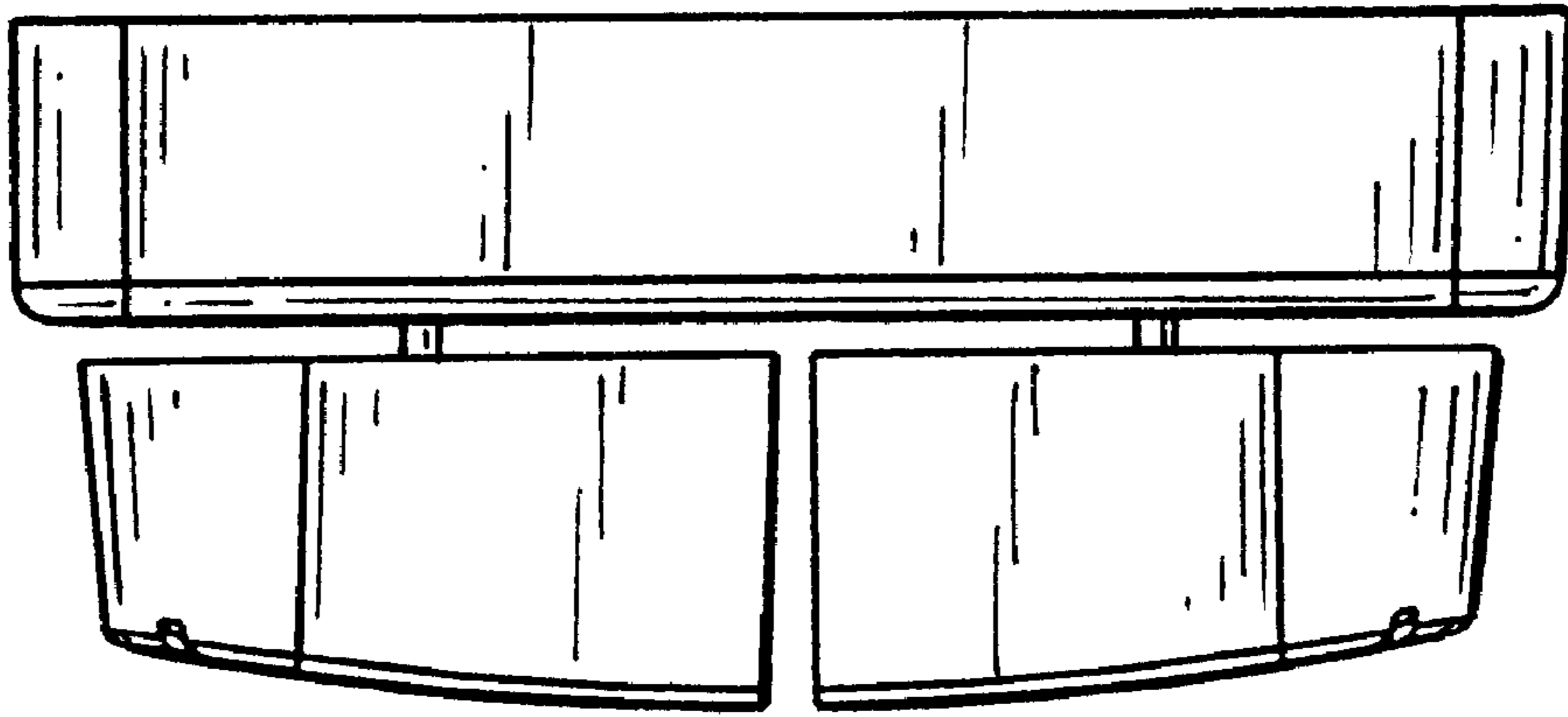


FIG. 5

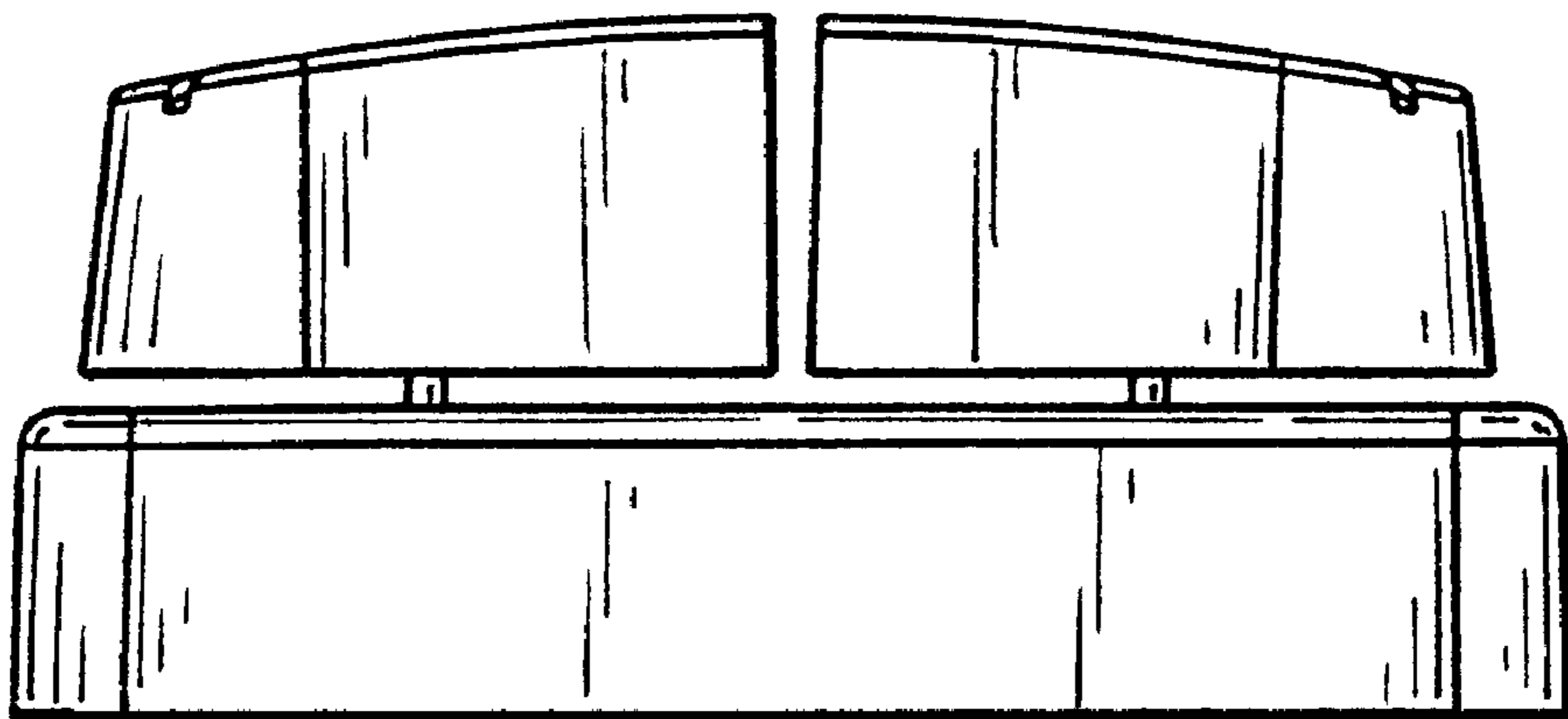


FIG. 6

UNITED STATES PATENT AND TRADEMARK OFFICE
CERTIFICATE OF CORRECTION

PATENT NO. : Des. 463,382 S
DATED : September 24, 2002
INVENTOR(S) : Elliot Jacoby

Page 1 of 1


It is certified that error appears in the above-identified patent and that said Letters Patent is hereby corrected as shown below:

Title page,

DESCRIPTION, "FIG 2" should read -- FIG. 5 is a top view thereof; and --

Signed and Sealed this

Eighth Day of April, 2003

A handwritten signature in black ink, appearing to read "James E. Rogan", with a horizontal line drawn underneath it.

JAMES E. ROGAN
Director of the United States Patent and Trademark Office