

US00D463379S

(12) **United States Design Patent**
Graceffa et al.

(10) **Patent No.:** **US D463,379 S**

(45) **Date of Patent:** **** Sep. 24, 2002**

(54) **ELECTRONIC DEVICE WITH CONTROLS**

D436,931 S * 1/2001 Oliver et al. D13/162

(75) Inventors: **Joseph Thomas Graceffa**, Chicago, IL (US); **Shu Kuen Chang**, Chicago, IL (US)

* cited by examiner

Primary Examiner—James Gandy

Assistant Examiner—Selina Sikder

(73) Assignee: **FullAudio Corp.**, Chicago, IL (US)

(74) *Attorney, Agent, or Firm*—Katten Muchin Zavis Rosenman

(**) Term: **14 Years**

(57) **CLAIM**

(21) Appl. No.: **29/132,541**

The ornamental design for an electronic device with controls, as shown.

(22) Filed: **Nov. 10, 2000**

DESCRIPTION

(51) **LOC (7) Cl.** **09-01**

(52) **U.S. Cl.** **D13/164**

(58) **Field of Search** D10/46; D13/158, D13/159, 160, 162, 163, 164, 168, 174, 177; D14/218; 340/825.22, 825.24, 825.25, 825.29; 455/151.2, 151.3, 151.4

FIG. 1 is a perspective view of an electronic device with controls in accordance with the present invention.

FIG. 2 is a top view of the electronic device illustrated in FIG. 1.

FIG. 3 is a bottom view of the electronic device illustrated in FIG. 1.

FIG. 4 is a front elevational view of the electronic device illustrated in FIG. 1.

FIG. 5 is a rear elevational view of the electronic device illustrated in FIG. 1.

FIG. 6 is a left side elevational view of the electronic device illustrated in FIG. 1; and,

FIG. 7 is a right elevational view of the electronic device illustrated in FIG. 1.

(56) **References Cited**

U.S. PATENT DOCUMENTS

D343,827 S	*	2/1994	Piret	D13/164
D354,493 S	*	1/1995	Schumaker et al.	D14/258
D394,626 S	*	5/1998	Sacco et al.	D12/192
D418,762 S	*	1/2000	Dushane et al.	D10/49
D422,522 S	*	4/2000	Lin	D10/106
D431,199 S	*	9/2000	Bennett et al.	D10/50
D435,523 S	*	12/2000	Clornel et al.	D13/164

1 Claim, 4 Drawing Sheets

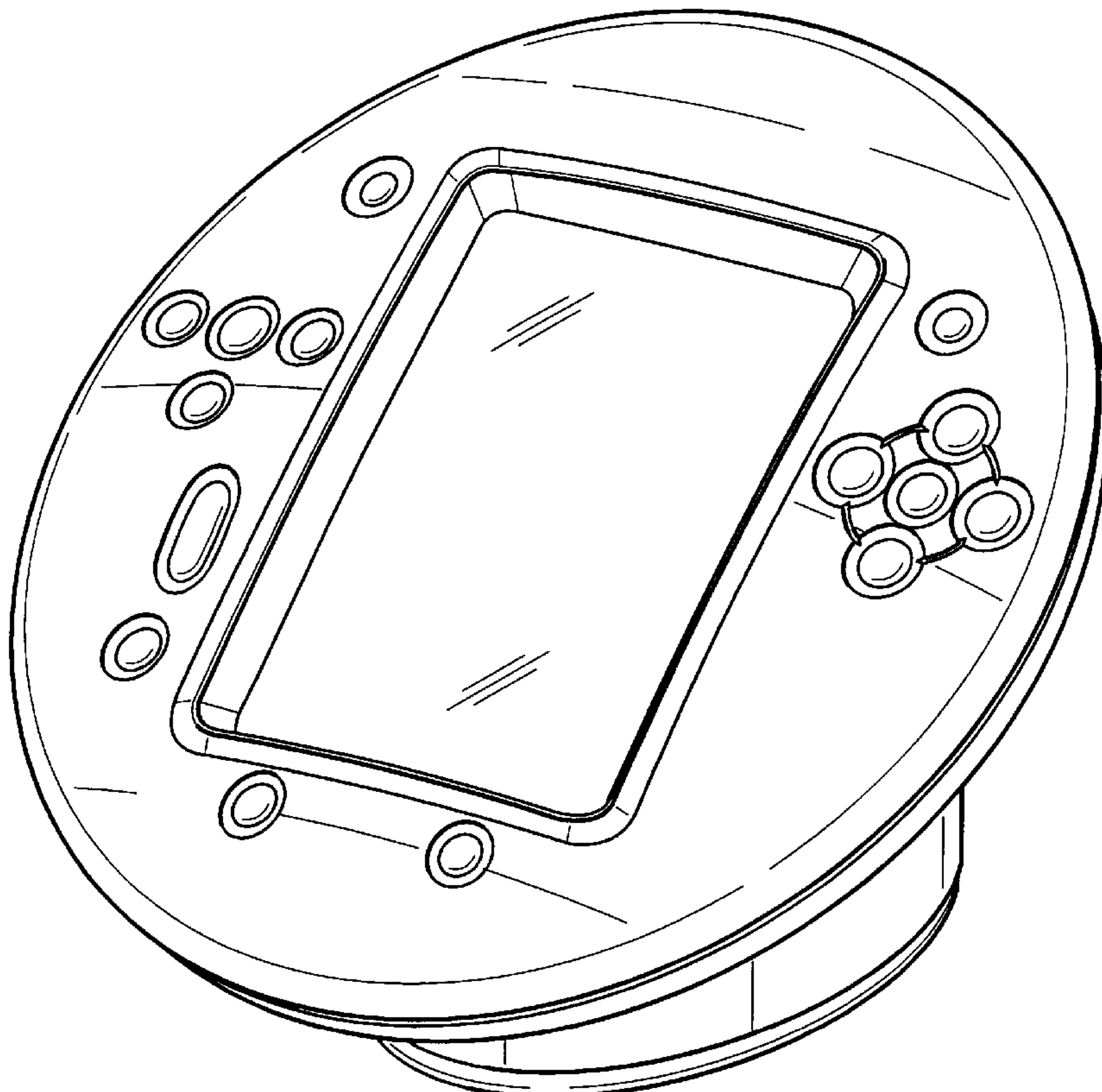


Fig. 1

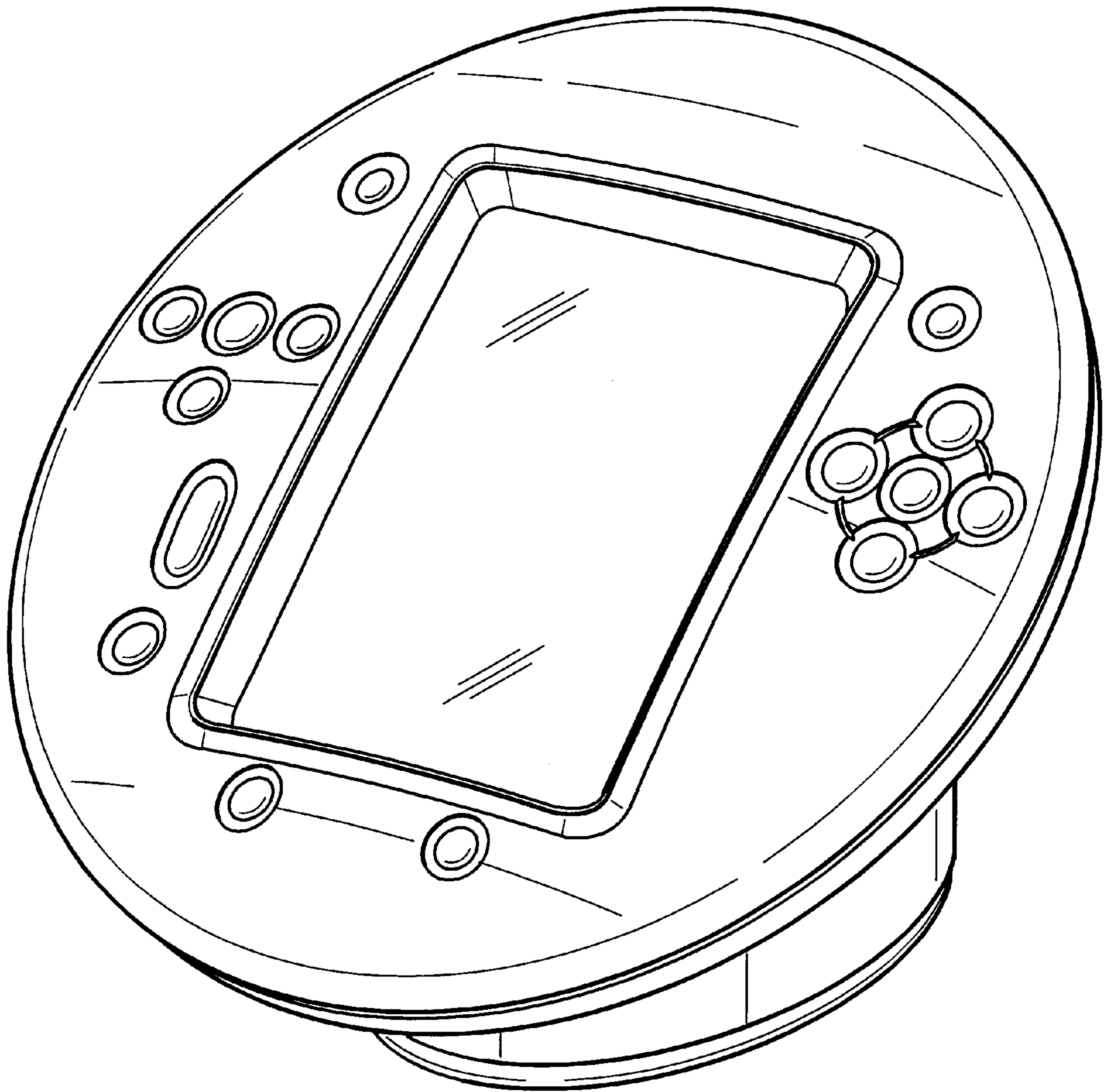


Fig. 2

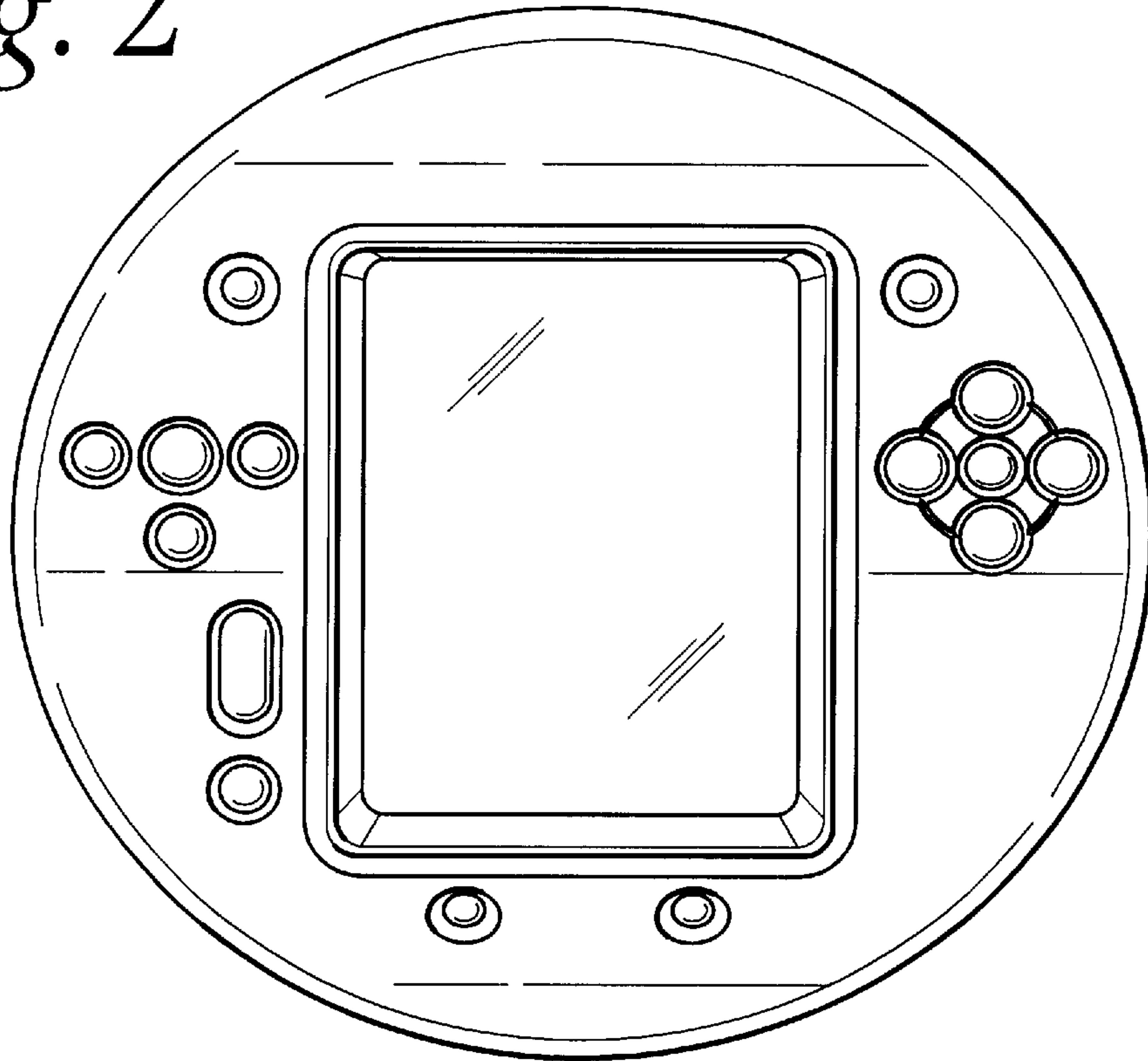


Fig. 3

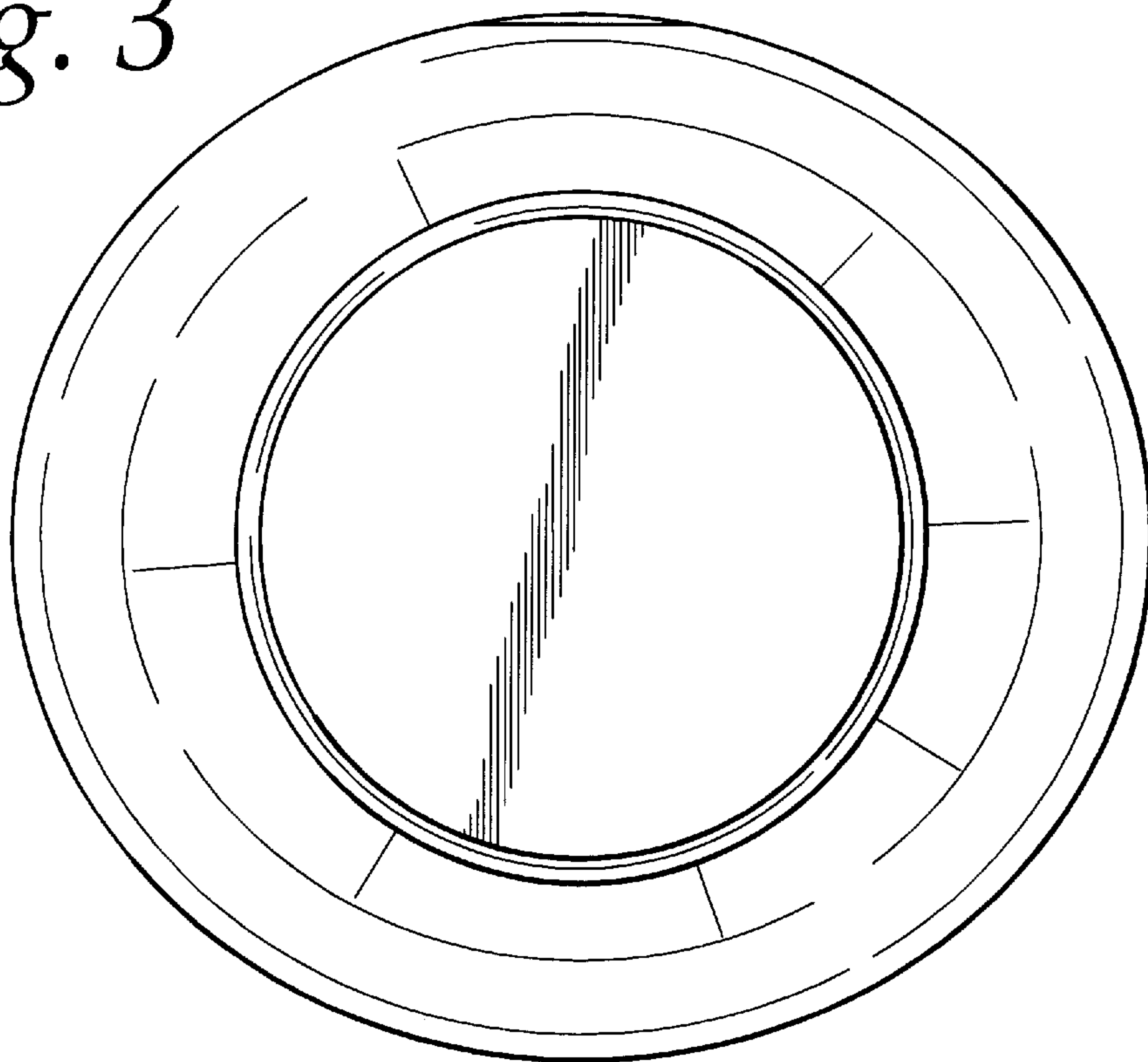


Fig. 4

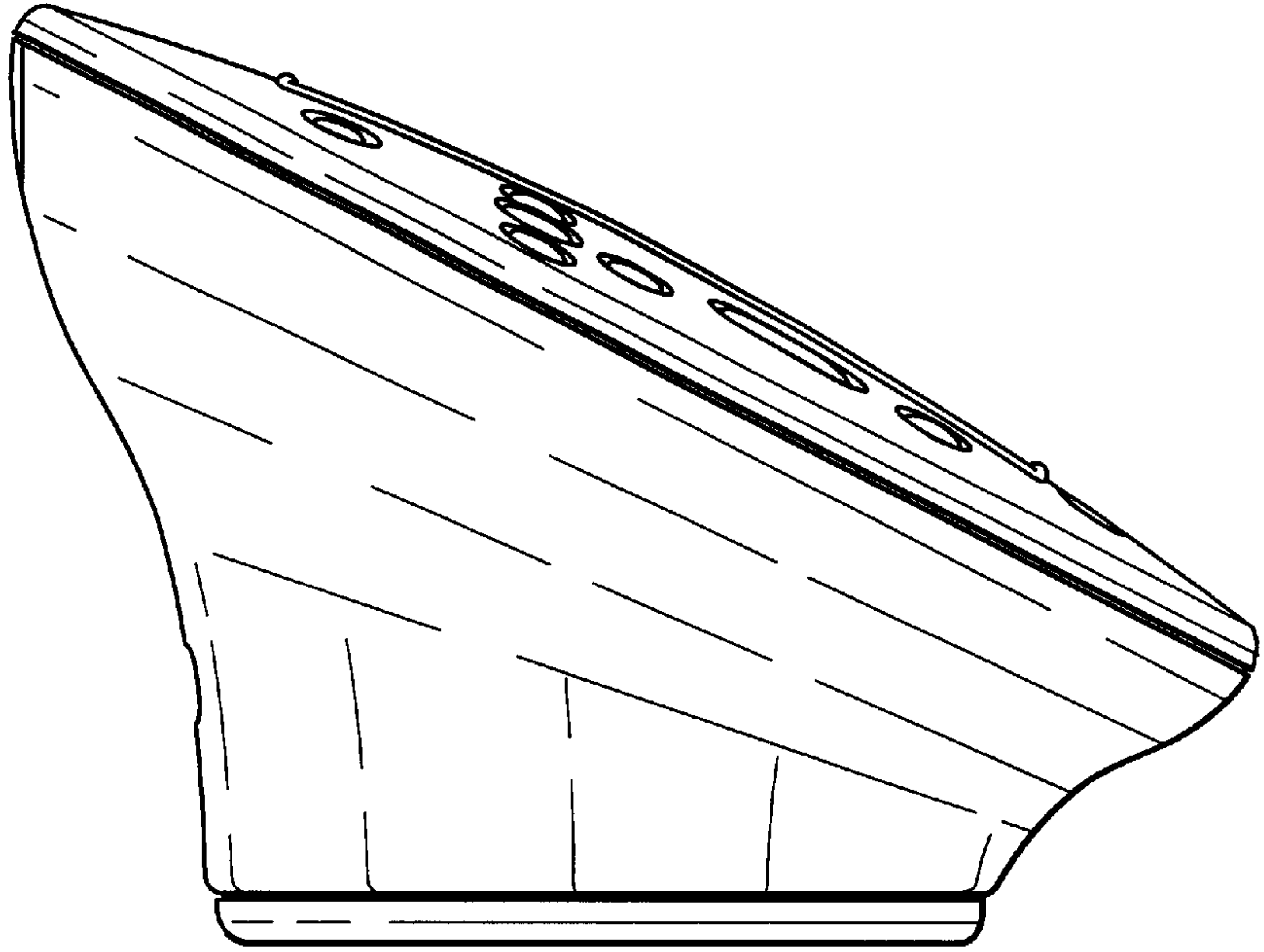


Fig. 5

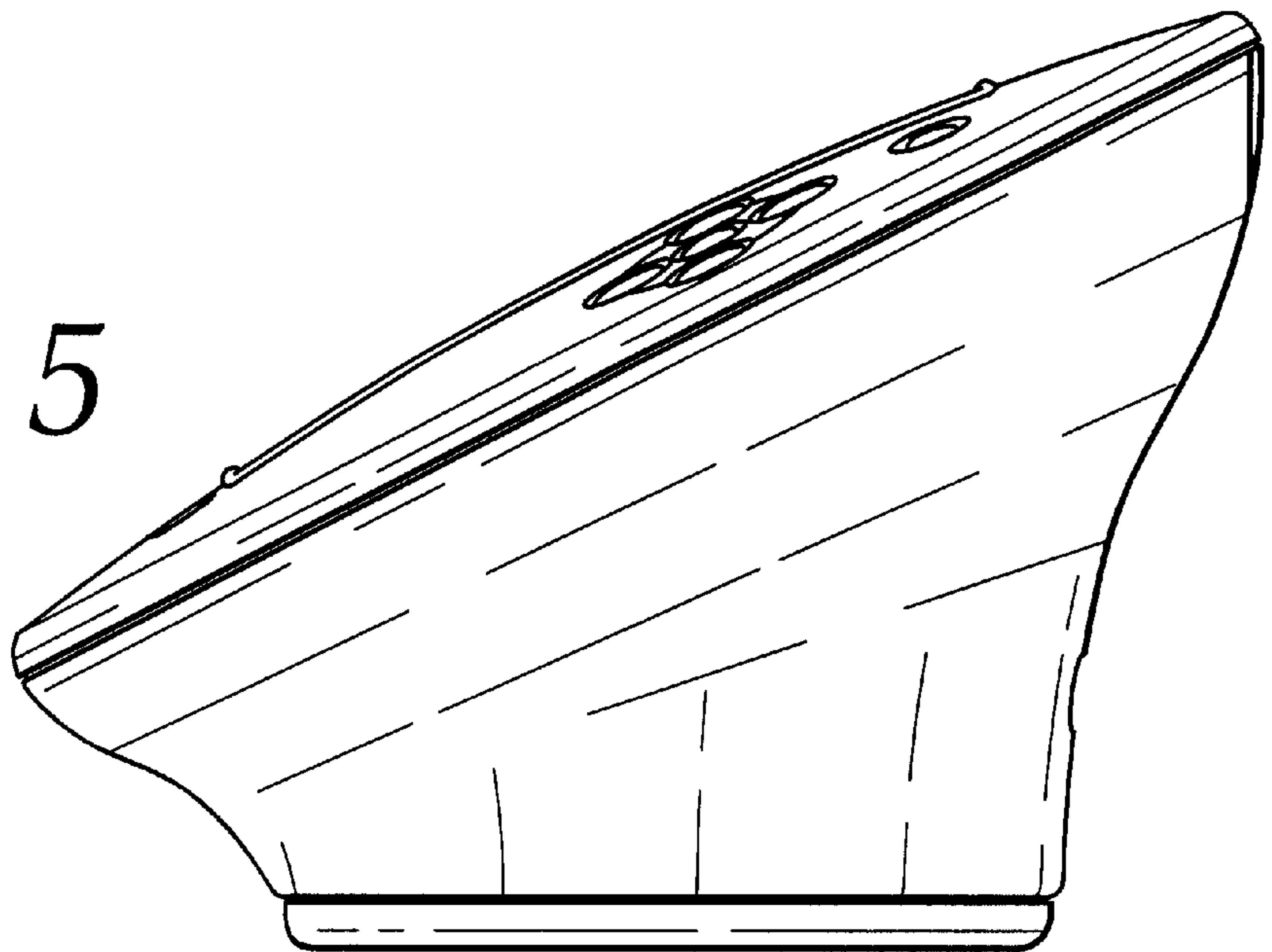


Fig. 6

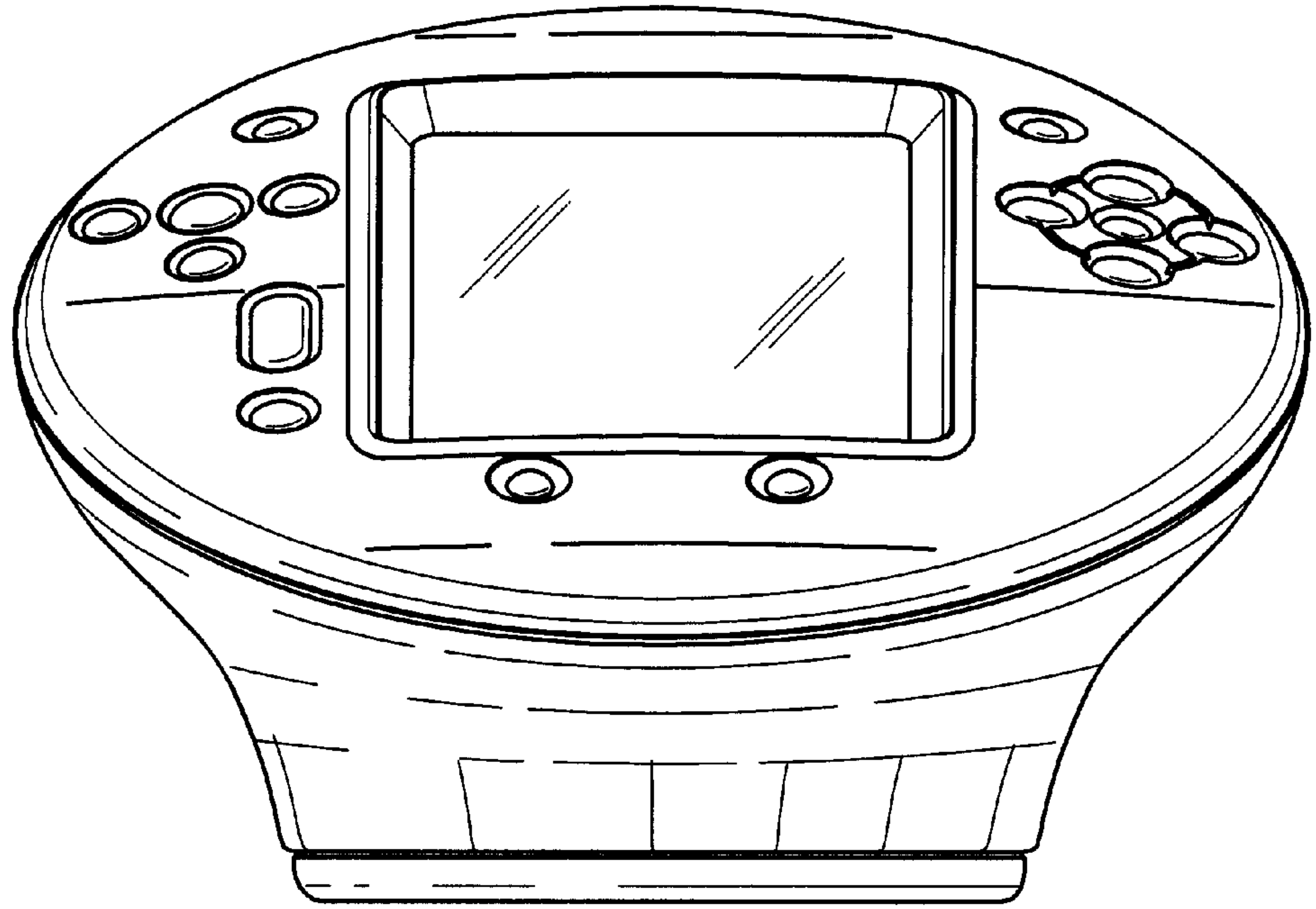


Fig. 7

