



US00D463377S

(12) **United States Design Patent**
Canty

(10) **Patent No.:** **US D463,377 S**

(45) **Date of Patent:** **** Sep. 24, 2002**

(54) **BEND RADIUS CLIP**

6,271,476 B1 8/2001 Bobowick et al.

(75) Inventor: **Mark E. Canty**, Aurora, IL (US)

* cited by examiner

(73) Assignee: **Panduit Corp.**, Tinley Park, IL (US)

Primary Examiner—Doris V. Coles

Assistant Examiner—Elizabeth A. Albert

(**) Term: **14 Years**

(74) *Attorney, Agent, or Firm*—Robert A. McCann; Jay A. Saltzman; Christopher S. Claney

(21) Appl. No.: **29/157,941**

(57) **CLAIM**

(22) Filed: **Mar. 27, 2002**

The ornamental design for a bend radius clip, as shown and described.

(51) **LOC (7) Cl.** **13-03**

(52) **U.S. Cl.** **D13/155**

(58) **Field of Search** D8/349, 354, 355,
D8/356, 357, 373, 380; D13/154, 155,
173; 174/68.1, 68.3, 135, 48; 385/135,
134, 199; 439/501; 312/223.1, 223.2, 223.3

DESCRIPTION

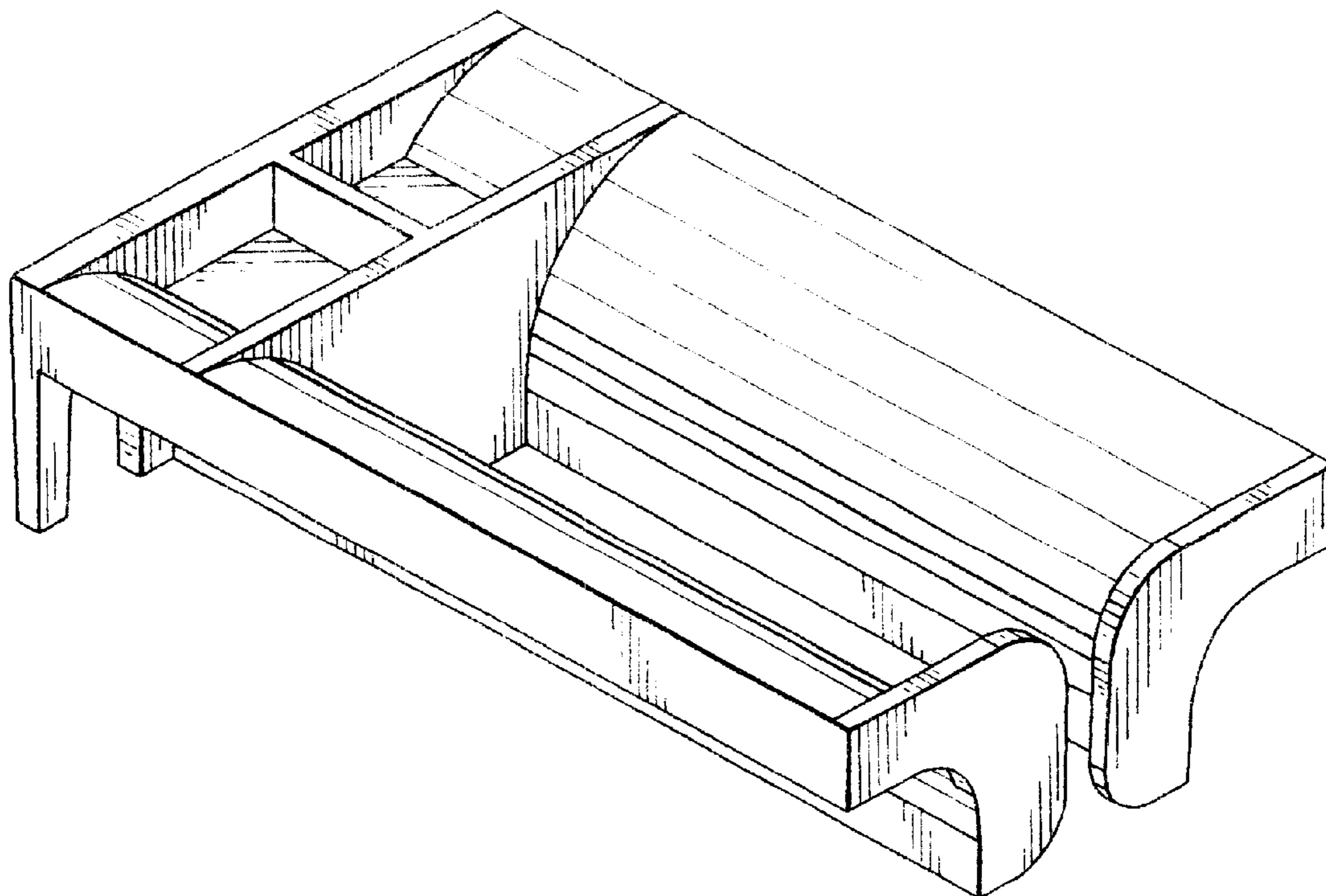
FIG. 1 is a top left front perspective view of a bend radius clip showing my new design;
FIG. 2 is a top right rear perspective view thereof;
FIG. 3 is a bottom right rear perspective view thereof;
FIG. 4 is a front view thereof;
FIG. 5 is a rear view thereof;
FIG. 6 is a left side view, with the right side view a mirror image thereof;
FIG. 7 is a top view thereof; and,
FIG. 8 is a bottom view thereof.

(56) **References Cited**

U.S. PATENT DOCUMENTS

5,161,580	A	*	11/1992	Klug	174/68.3
5,469,893	A	*	11/1995	Caveney et al.	174/68.3
D431,026	S		9/2000	Berkowitz et al.		
D432,091	S	*	10/2000	Berkowitz et al.	D13/155
D445,765	S		7/2001	Wojcik		

1 Claim, 3 Drawing Sheets



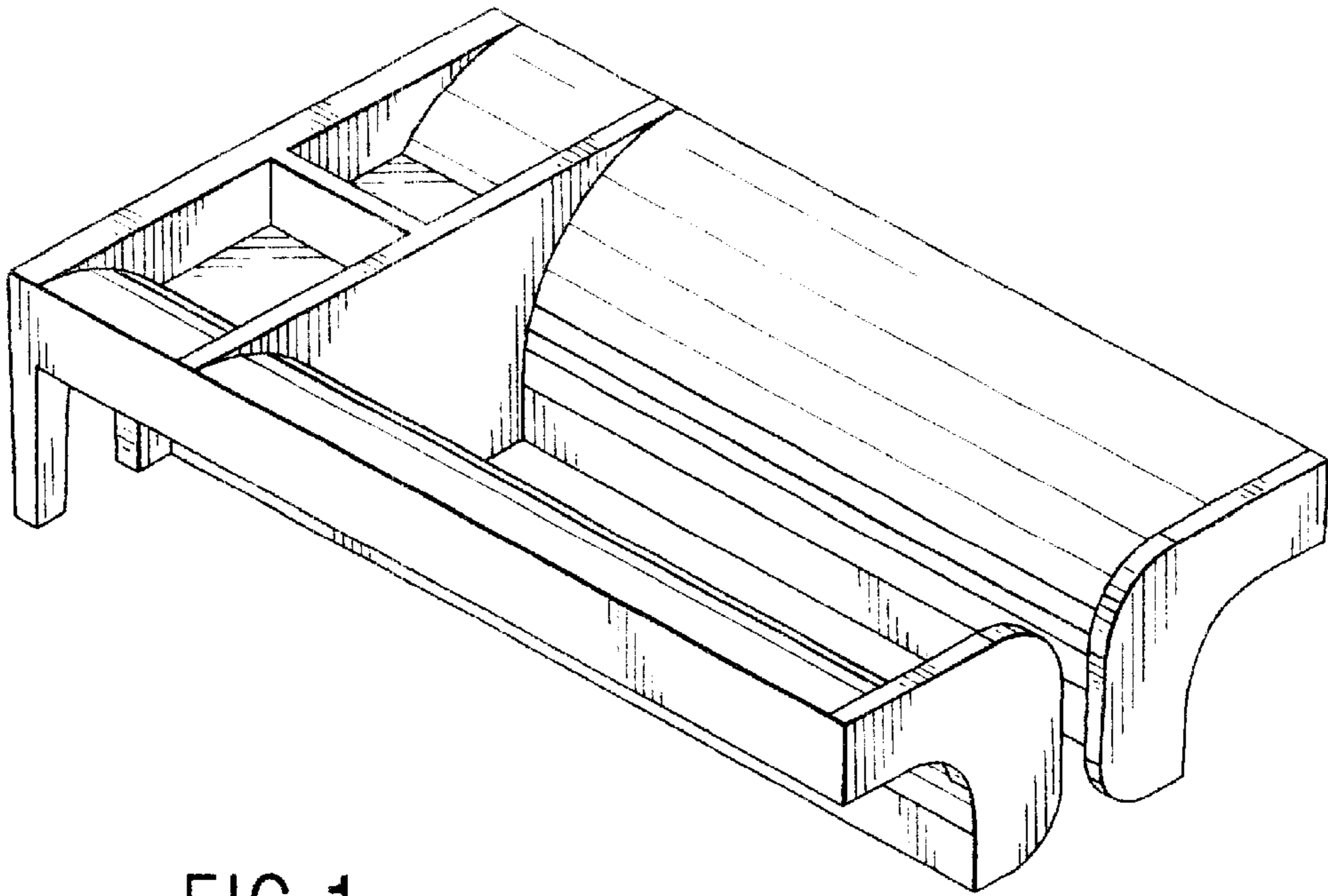


FIG. 1

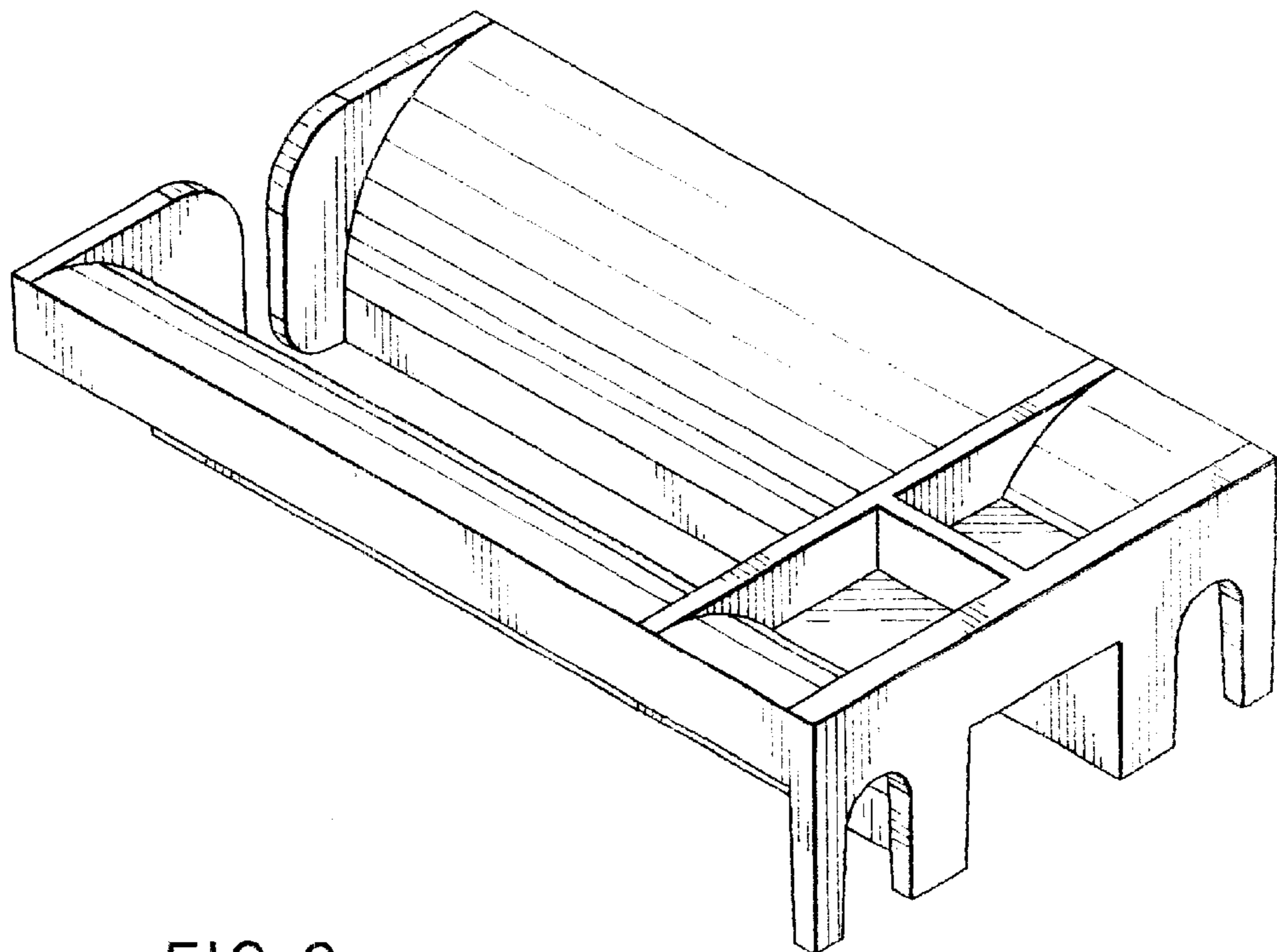


FIG. 2

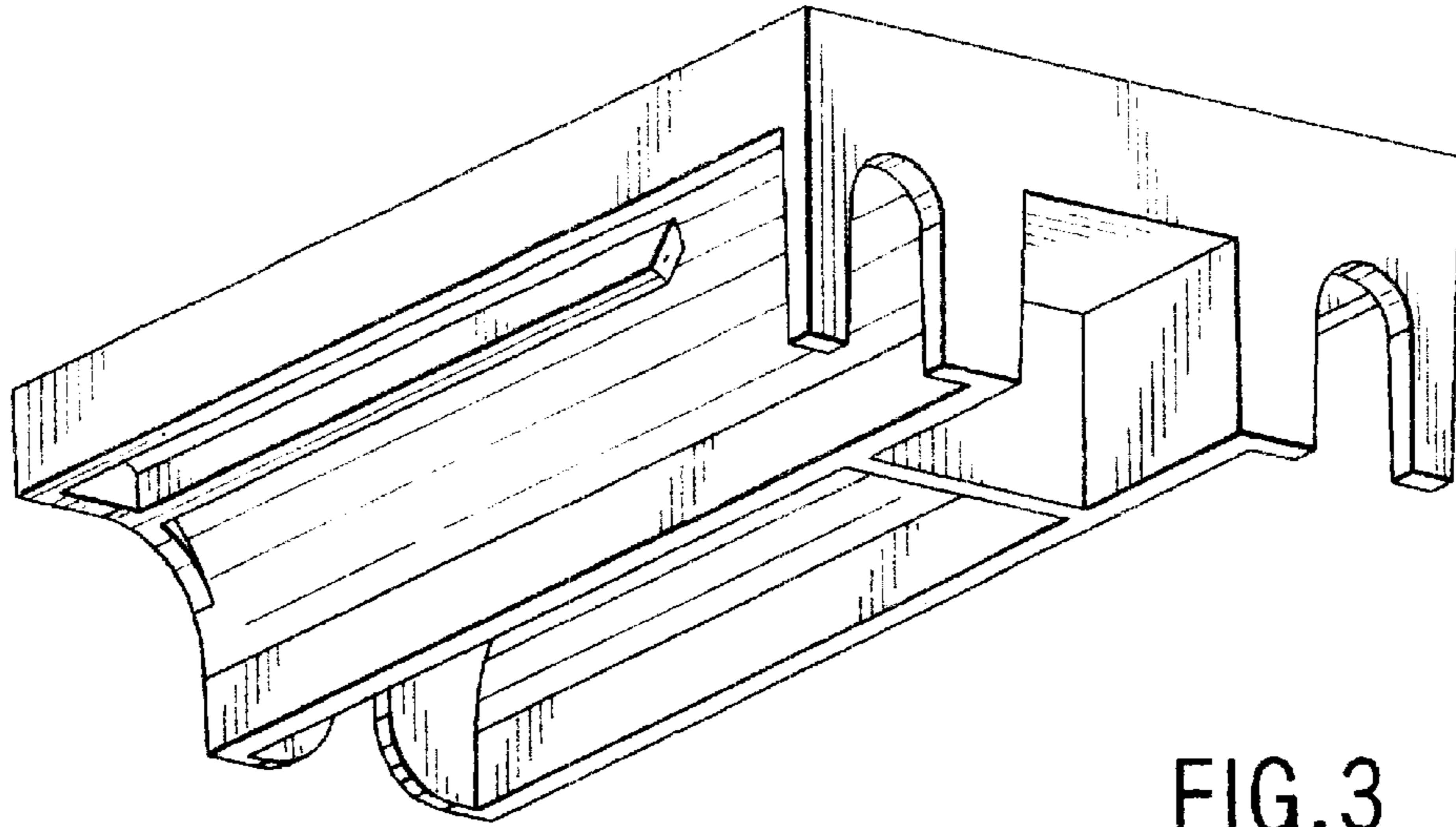


FIG. 3

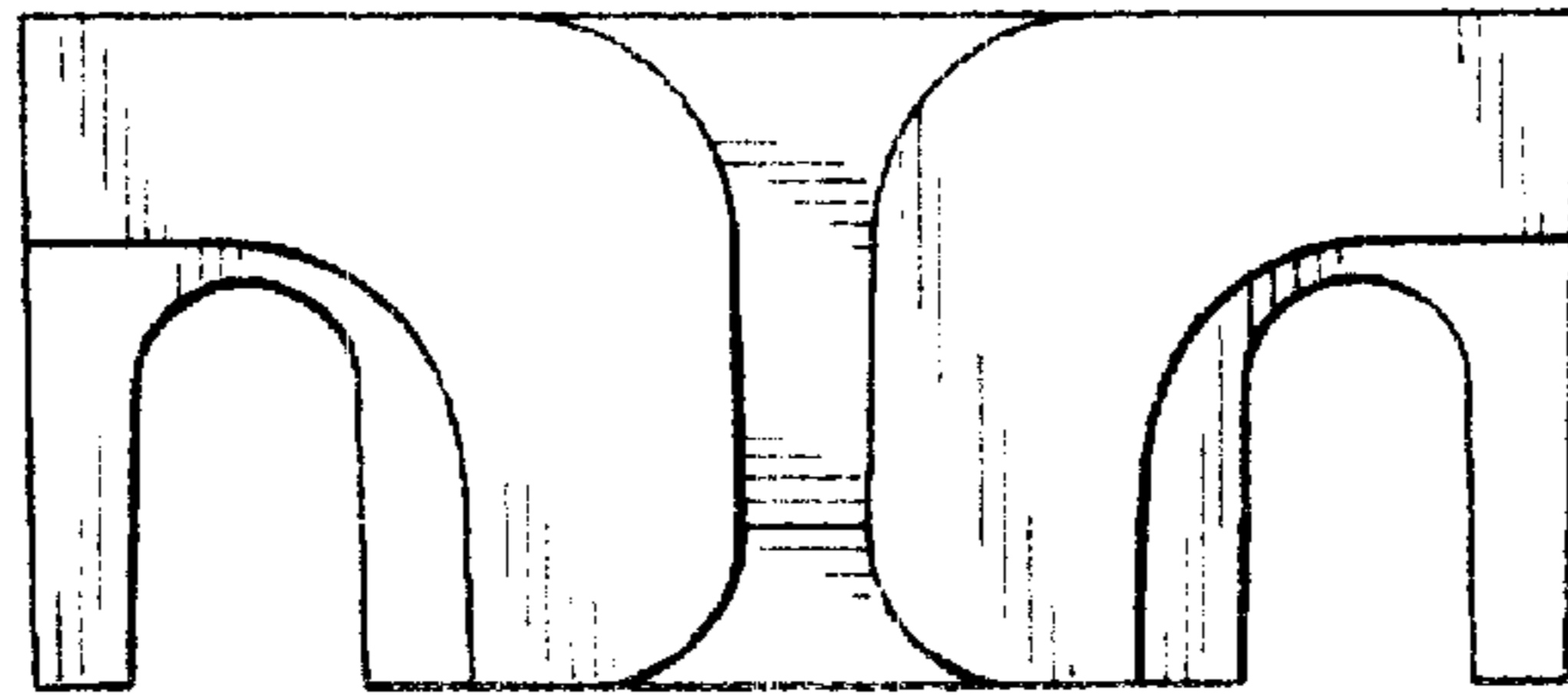


FIG. 4

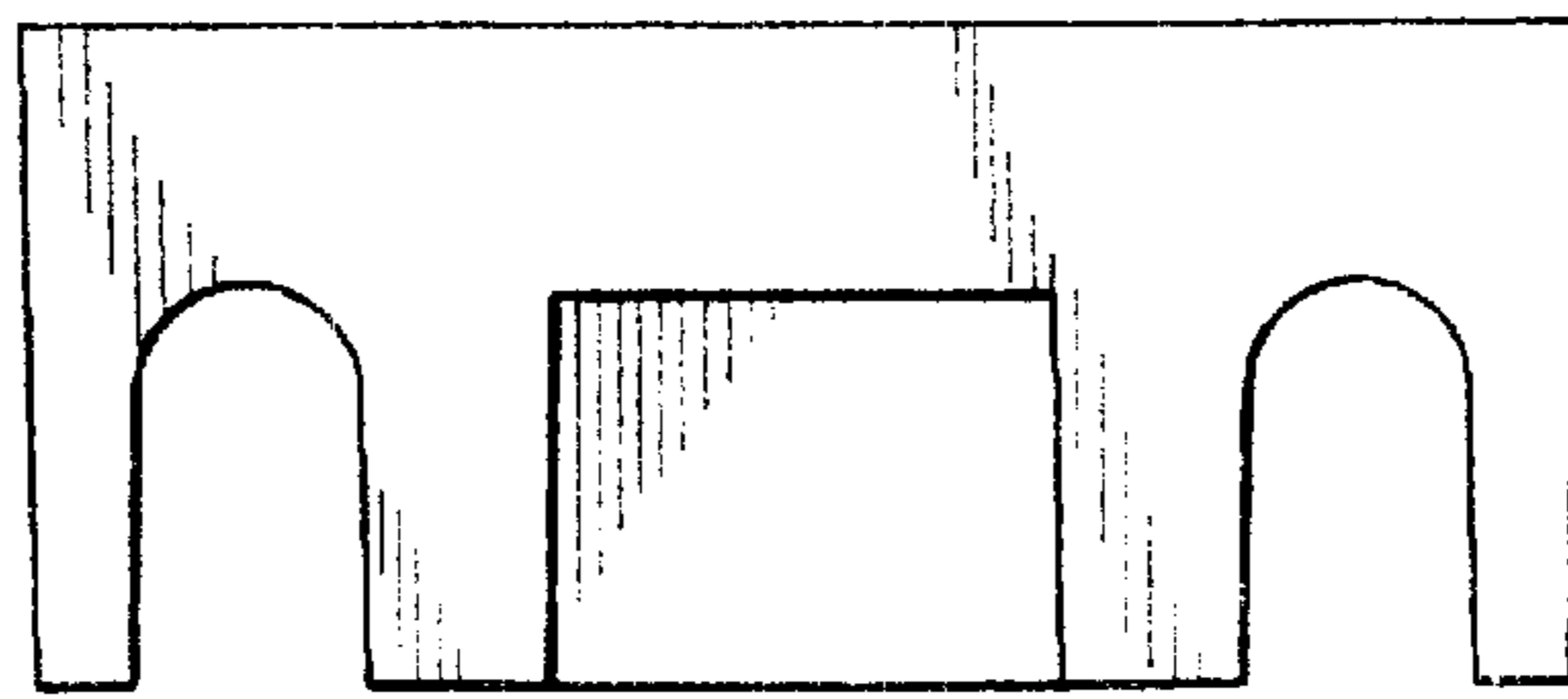


FIG. 5

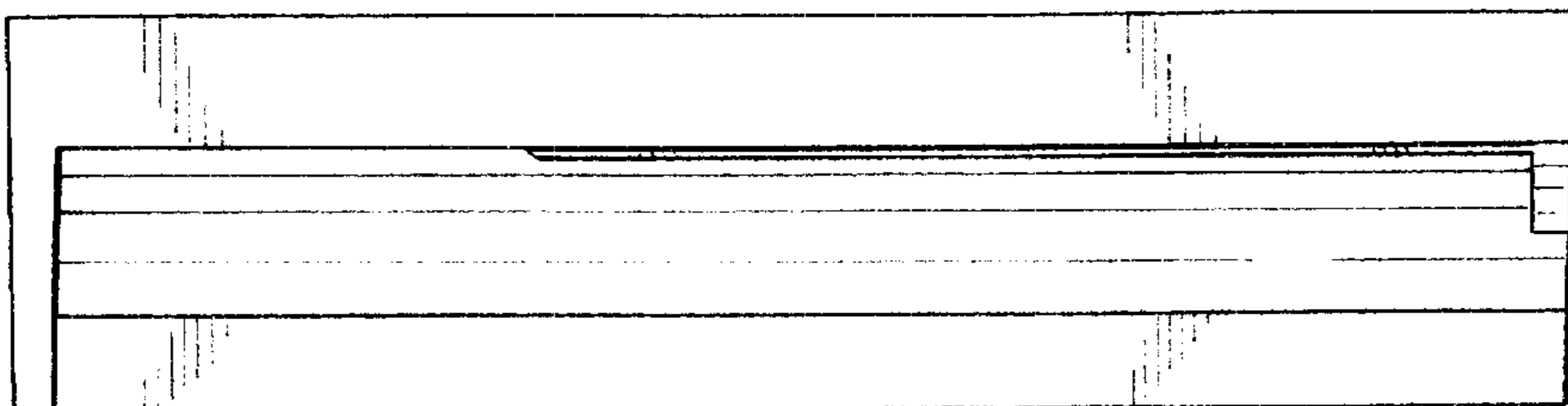


FIG. 6

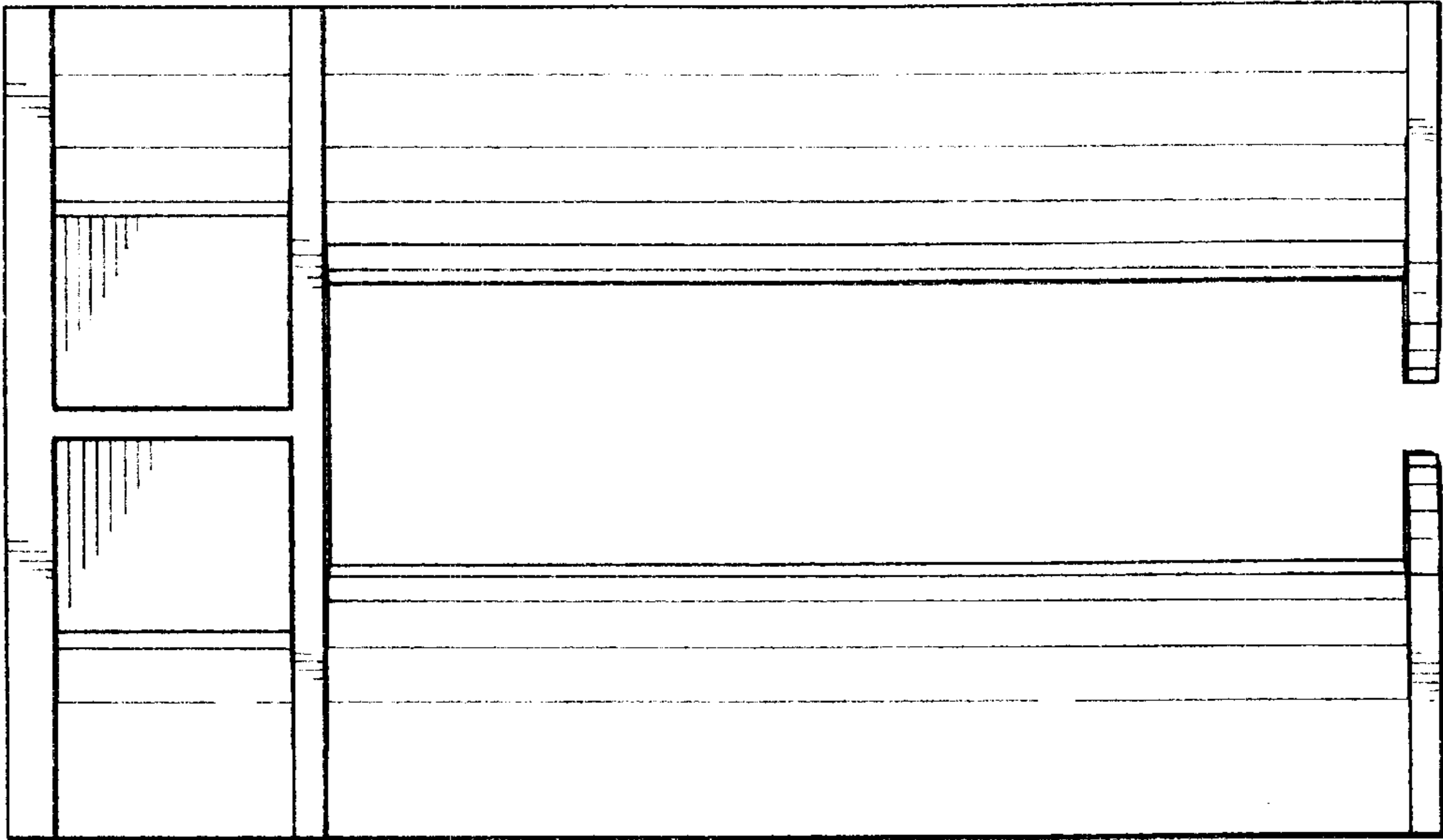


FIG. 7

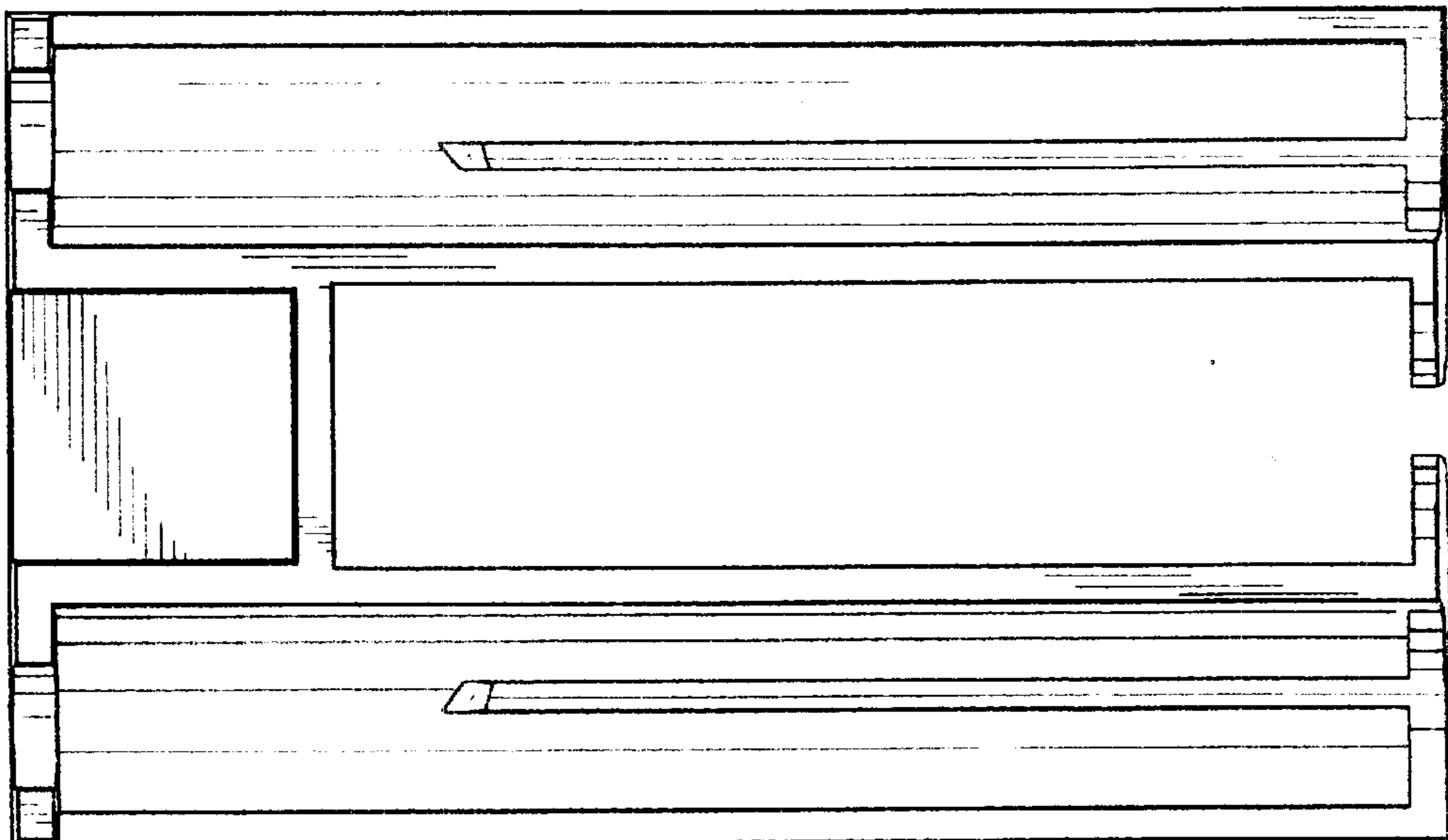


FIG. 8