



US00D463376S

(12) **United States Design Patent**  
**Roesch et al.**

(10) **Patent No.:** **US D463,376 S**  
(45) **Date of Patent:** **\*\* Sep. 24, 2002**

(54) **DUAL VOLTAGE ELECTRICAL ASSEMBLY**

(75) Inventors: **Mark A. Roesch**, Brecksville, OH  
(US); **Dennis P. Revlock, Sr.**, Medina,  
OH (US)

(73) Assignee: **The Lamson & Sessions Co.**,  
Cleveland, OH (US)

(\*\*) Term: **14 Years**

(21) Appl. No.: **29/149,747**

(22) Filed: **Oct. 16, 2001**

**Related U.S. Application Data**

(63) Continuation of application No. 29/147,760, filed on Sep. 5,  
2001, now abandoned.

(51) **LOC (7) Cl.** ..... **13-03**

(52) **U.S. Cl.** ..... **D13/152**

(58) **Field of Search** ..... D13/152; 174/48,  
174/49, 50, 53, 58, 65 R; 220/3.2, 3.3,  
3.9, 3.92, 3.94

(56) **References Cited**

**U.S. PATENT DOCUMENTS**

1,818,317 A	8/1931	Gilmore	
2,644,600 A	5/1950	Senif .....	220/3.9
3,601,276 A	8/1971	Culpepper .....	220/3.8
3,676,571 A	7/1972	Rubinstein .....	174/65
3,862,351 A	1/1975	Schindler et al. ....	174/58
3,863,037 A *	1/1975	Schindler et al. ....	174/58
3,917,101 A *	11/1975	Ware .....	174/58
4,135,337 A	1/1979	Medlin .....	52/221
4,140,293 A	2/1979	Hansen .....	248/217.2
4,533,060 A	8/1985	Medlin .....	220/3.9
4,572,391 A	2/1986	Medlin .....	220/3.9

4,612,412 A	9/1986	Johnston .....	174/65 R
4,844,275 A	7/1989	Schnell et al. ....	220/3.9
4,927,039 A	5/1990	McNab .....	220/3.7
4,968,855 A	11/1990	Le Paillier .....	174/48
5,005,792 A	4/1991	Rinderer .....	248/205.1
5,014,043 A	5/1991	Lopetrone et al. ....	340/664
5,064,386 A	11/1991	Dale et al. ....	439/535

(List continued on next page.)

**OTHER PUBLICATIONS**

Article from Electrical Product News entitled "New Union  
Dual Voltage Nonmetallic Box Introduced by Thomas &  
Betts"; Feb., 2001, p. 7.

*Primary Examiner*—Jennifer Rivard

(74) *Attorney, Agent, or Firm*—Jones,Day,Reavis & Pogue

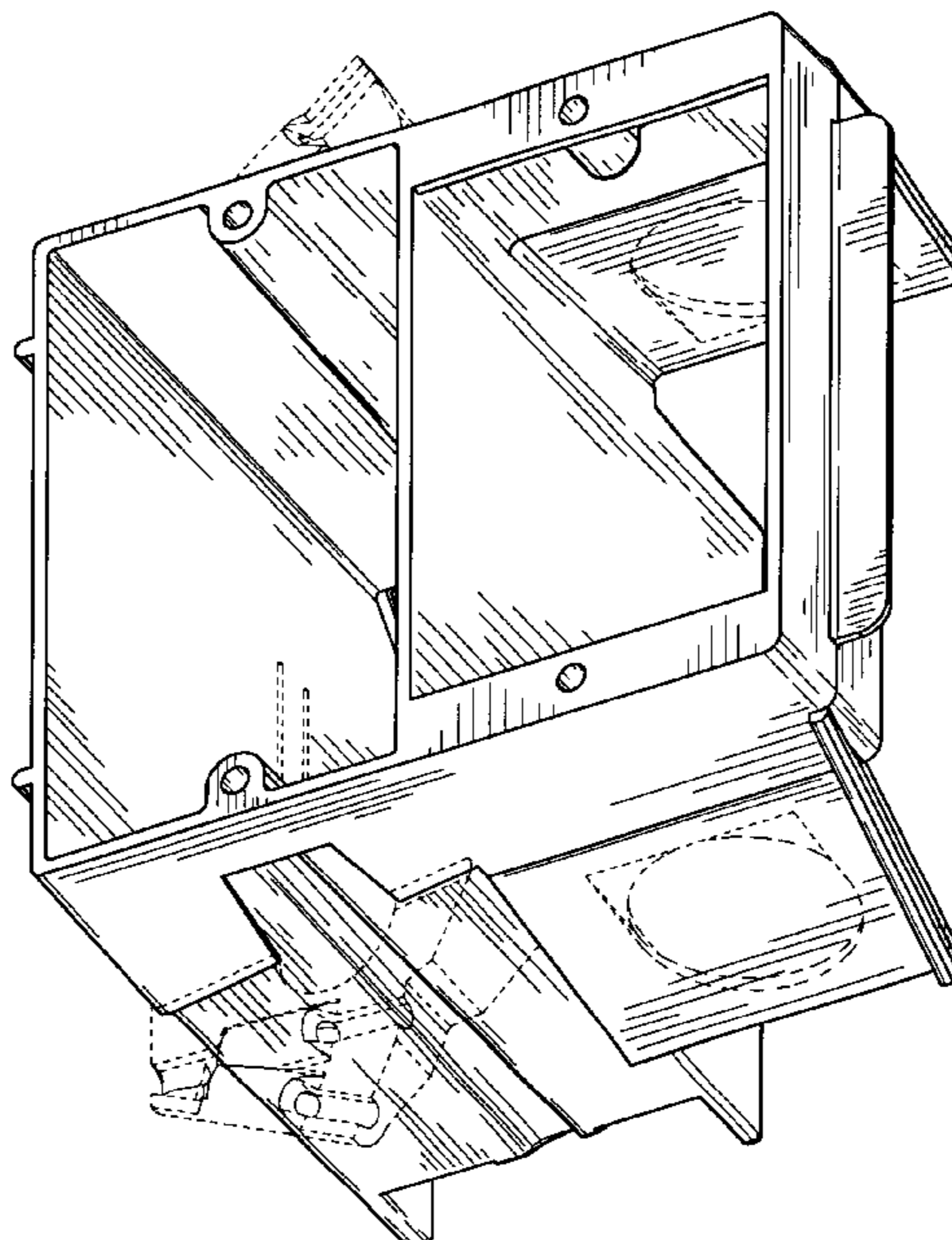
(57) **CLAIM**

The ornamental design for a dual voltage electrical assem-  
bly, as shown and described.

**DESCRIPTION**

FIG. 1 is a perspective view of one embodiment of the dual  
voltage electrical assembly of our new design;  
FIG. 2 is a front view thereof;  
FIG. 3 is a rear view thereof;  
FIG. 4 is a top view thereof;  
FIG. 5 is a bottom view thereof;  
FIG. 6 is a right side view thereof;  
FIG. 7 is a left side view thereof; and,  
FIG. 8 is a front view of an alternative embodiment of the  
dual voltage electrical assembly of our new design, with the  
remaining views of this alternative embodiment being the  
same as those presented in FIGS. 3–7.  
The broken line showings of FIGS. 1–8 are for illustrative  
purposes only and form no part of the claimed design.

**1 Claim, 5 Drawing Sheets**



# US D463,376 S

Page 2

## U.S. PATENT DOCUMENTS

5,114,365 A	5/1992	Thompson et al. ....	439/540	5,833,110 A	* 11/1998	Chandler et al. ....	220/3.3
5,125,527 A	6/1992	Parlatore et al. ....	220/266	5,841,068 A	11/1998	Umstead et al. ....	174/58
5,243,134 A	9/1993	Nattel .....	174/53	D404,715 S	1/1999	Almond .....	D13/152
5,263,676 A	11/1993	Medlin, Jr. et al. ....	248/300	5,863,016 A	1/1999	Makwinski et al. ....	248/27.1
D345,142 S	3/1994	Porter .....	D13/156	D405,422 S	2/1999	Tennefoss et al. ....	D13/152
5,289,934 A	3/1994	Smith et al. ....	220/3.7	5,883,331 A	3/1999	Reiker .....	174/54
5,301,437 A	4/1994	Burke .....	33/562	5,965,844 A	10/1999	Lippa .....	174/49
5,354,953 A	10/1994	Nattel et al. ....	174/54	D422,266 S	4/2000	Roesch .....	D13/152
5,357,055 A	10/1994	Sireci .....	174/48	6,051,785 A	4/2000	Baldwin et al. ....	174/54
5,408,045 A	4/1995	Jorgensen et al. ....	174/58	6,057,509 A	5/2000	Simmons .....	174/53
5,448,011 A	9/1995	Laughlin .....	174/48	D427,889 S	7/2000	Gretz .....	D8/354
5,486,650 A	1/1996	Yetter .....	174/53	6,091,023 A	7/2000	O'Donnell .....	174/57
5,509,560 A	4/1996	Nash .....	220/3.9	6,093,890 A	7/2000	Gretz .....	174/58
5,594,207 A	1/1997	Fabian et al. ....	174/58	6,103,974 A	8/2000	Erdfarb .....	174/66
5,596,174 A	* 1/1997	Sapienza .....	174/53	6,108,331 A	8/2000	Thompson .....	370/352
5,598,998 A	2/1997	Lynn .....	248/300	6,147,304 A	* 11/2000	Doherty .....	174/48
5,646,371 A	7/1997	Fabian .....	174/58	6,204,450 B1	3/2001	Reiker .....	174/58
5,677,512 A	10/1997	Reiker .....	174/58	6,207,898 B1	3/2001	Reiker .....	174/61
5,710,392 A	1/1998	Bordwell et al. ....	174/50	6,242,696 B1	6/2001	Reiker .....	174/62
5,717,164 A	2/1998	Shetterly .....	174/58	6,281,439 B1	8/2001	Reiker .....	174/62
5,789,706 A	8/1998	Perkins .....	174/65	6,300,567 B1	10/2001	Hayduke et al. ....	174/58
5,810,303 A	9/1998	Bourassa et al. ....	248/205.1				

\* cited by examiner

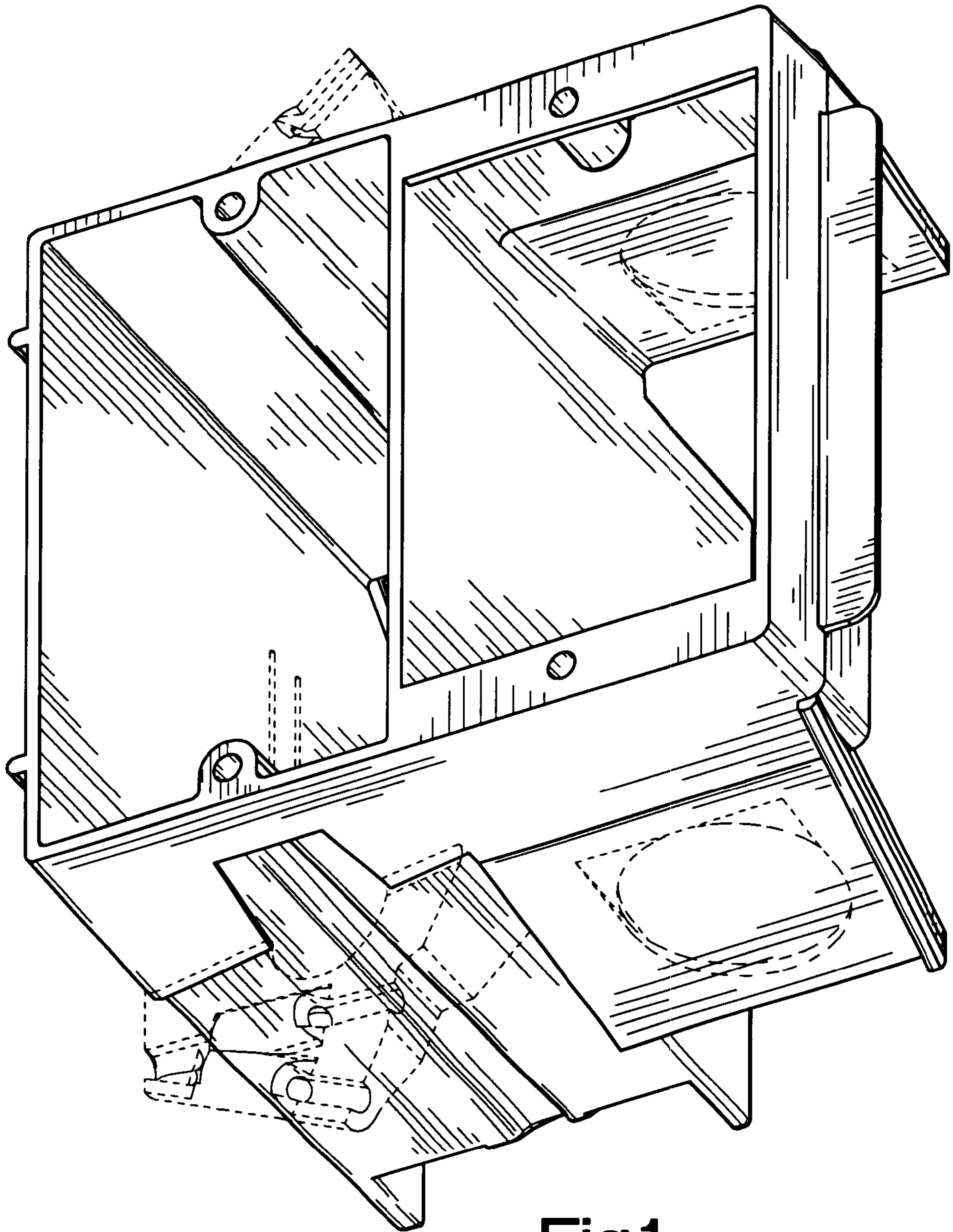


Fig.1

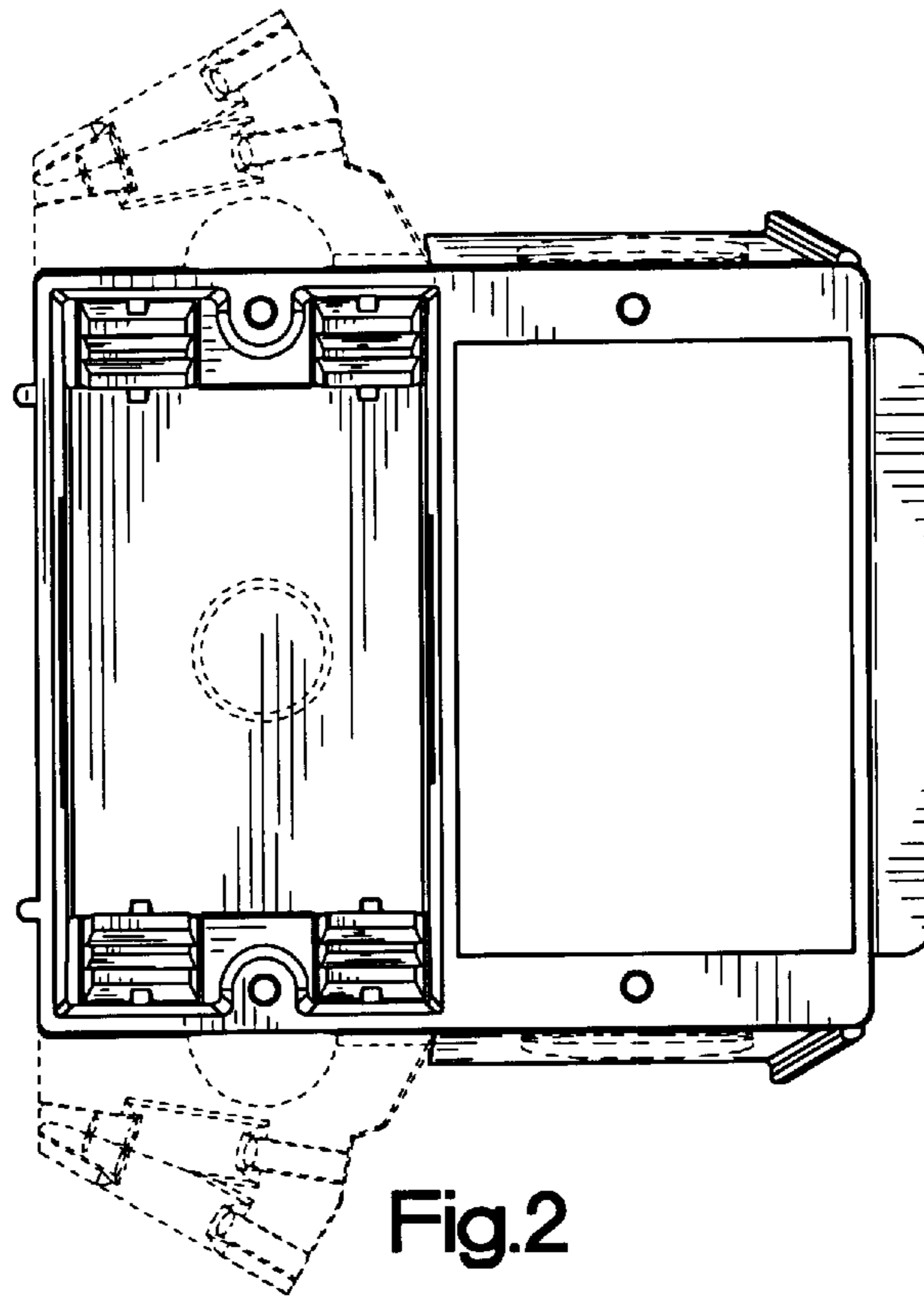


Fig.2

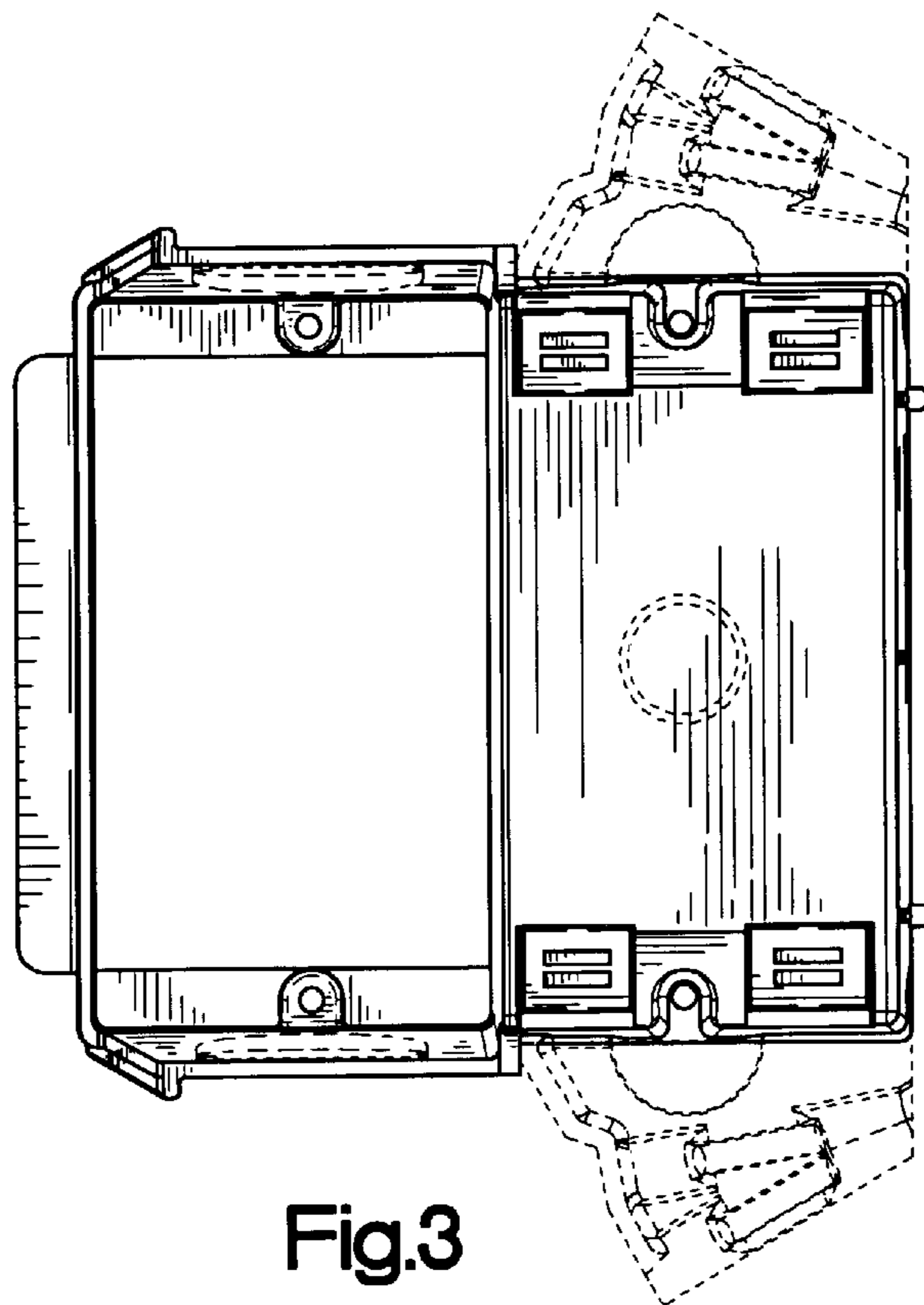


Fig.3

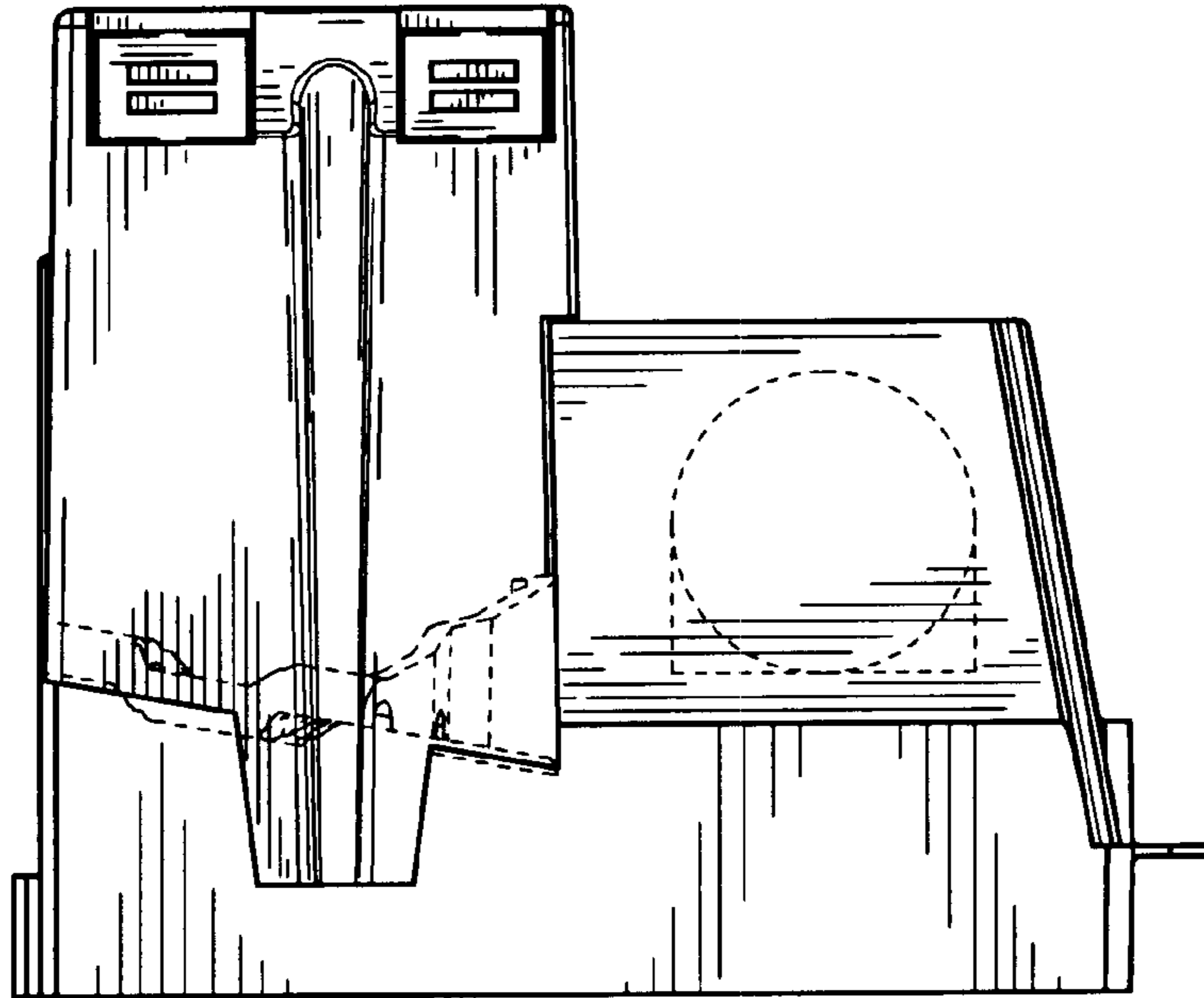


Fig.4

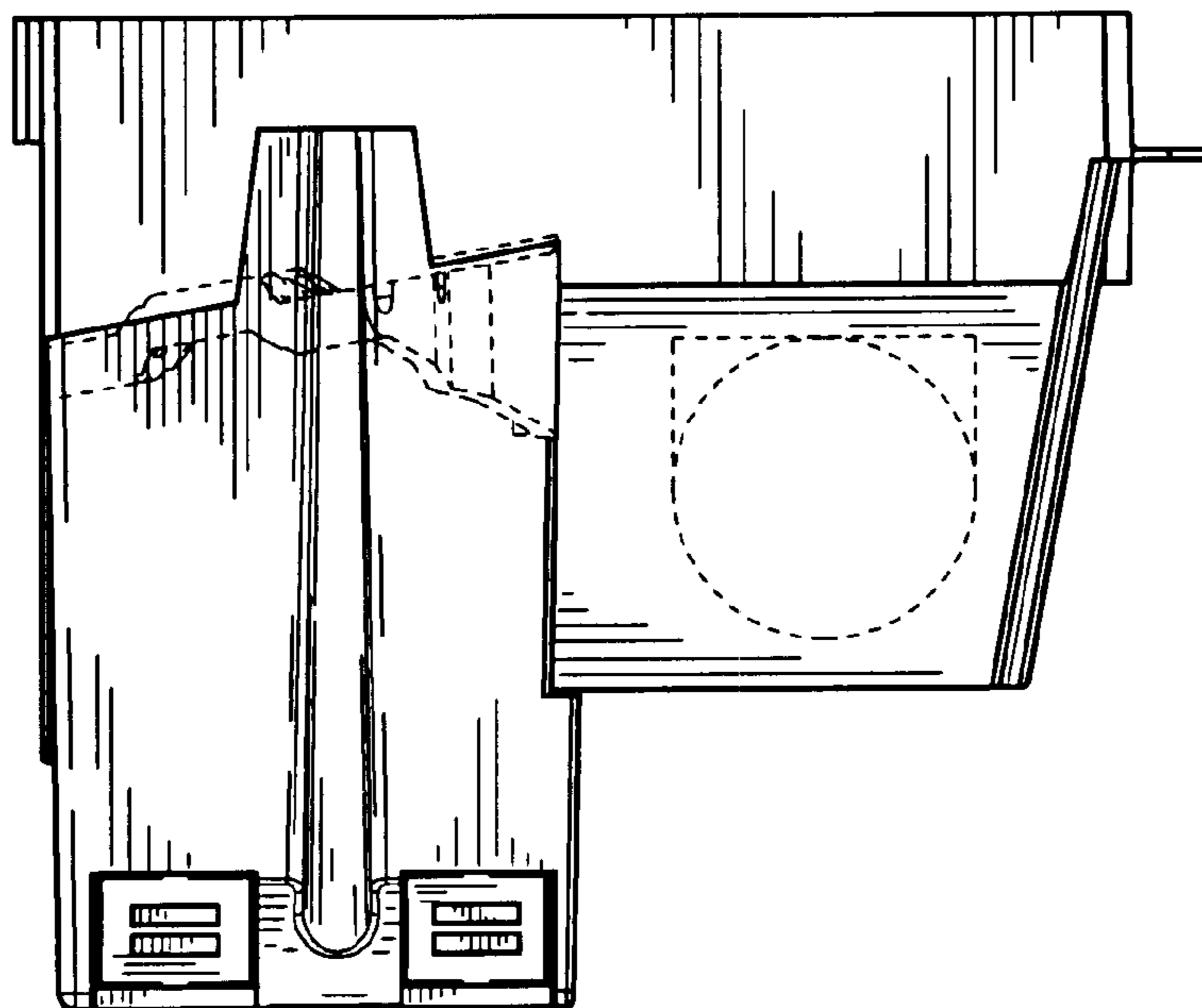


Fig.5

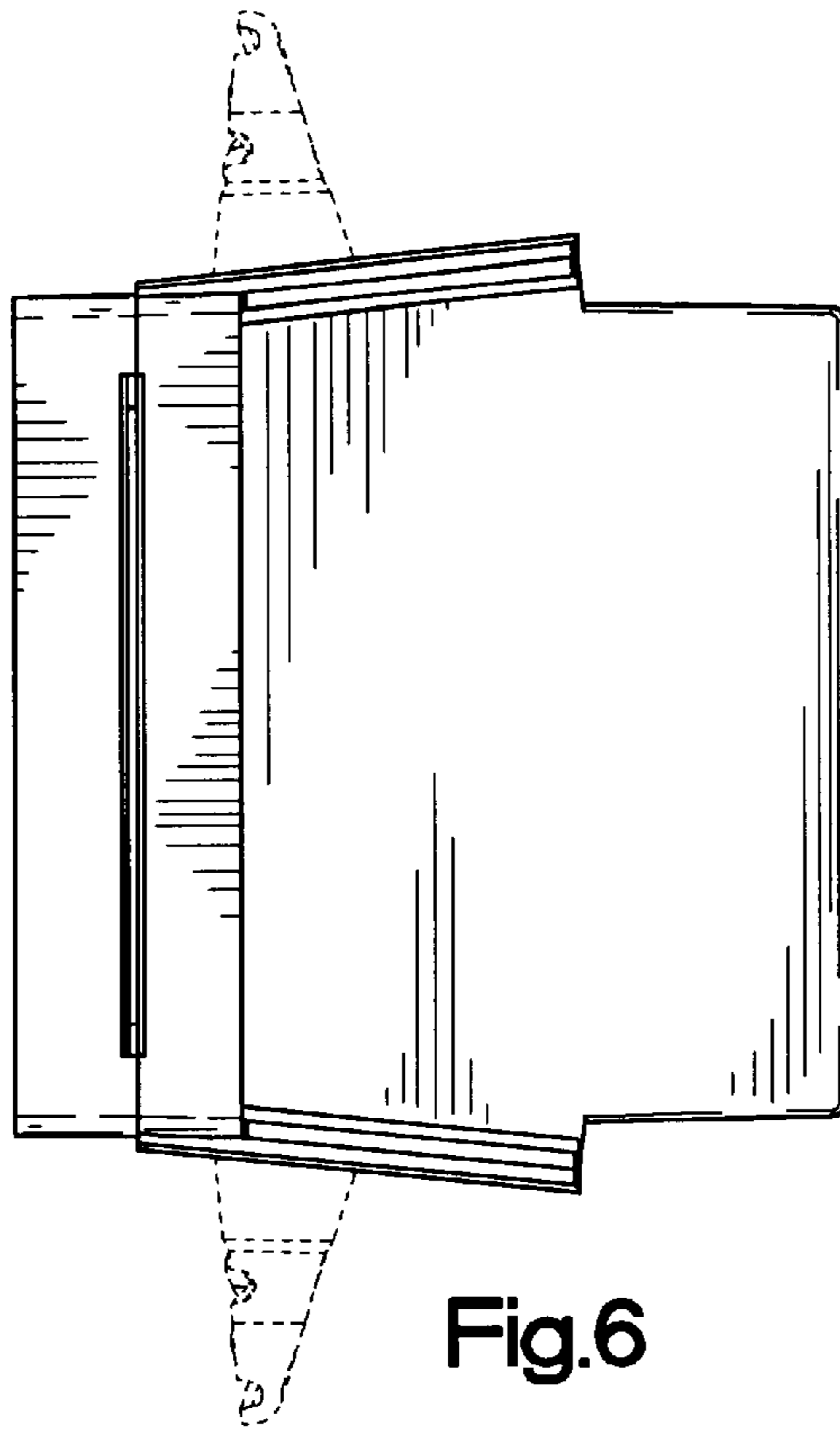


Fig.6

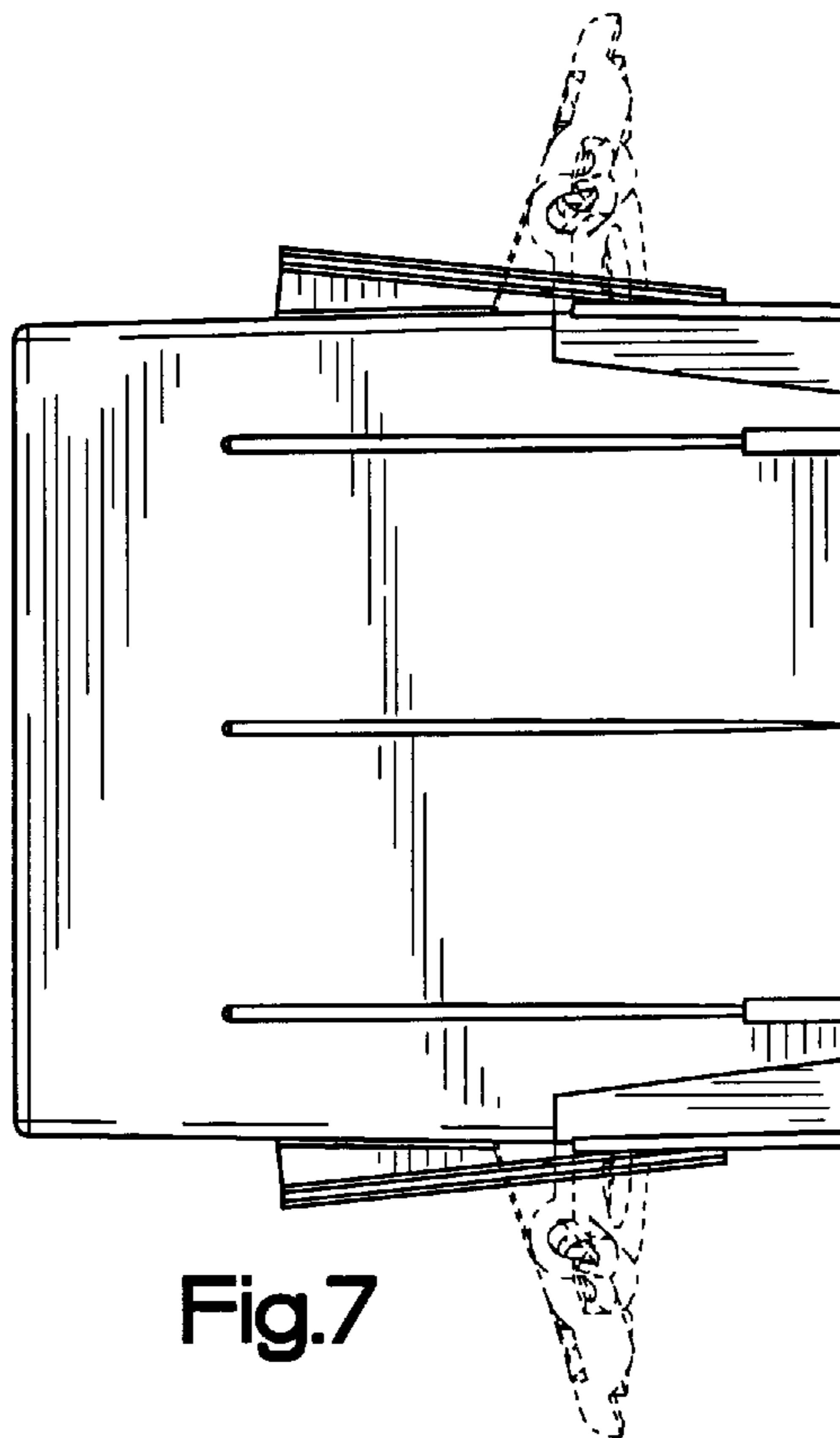


Fig.7

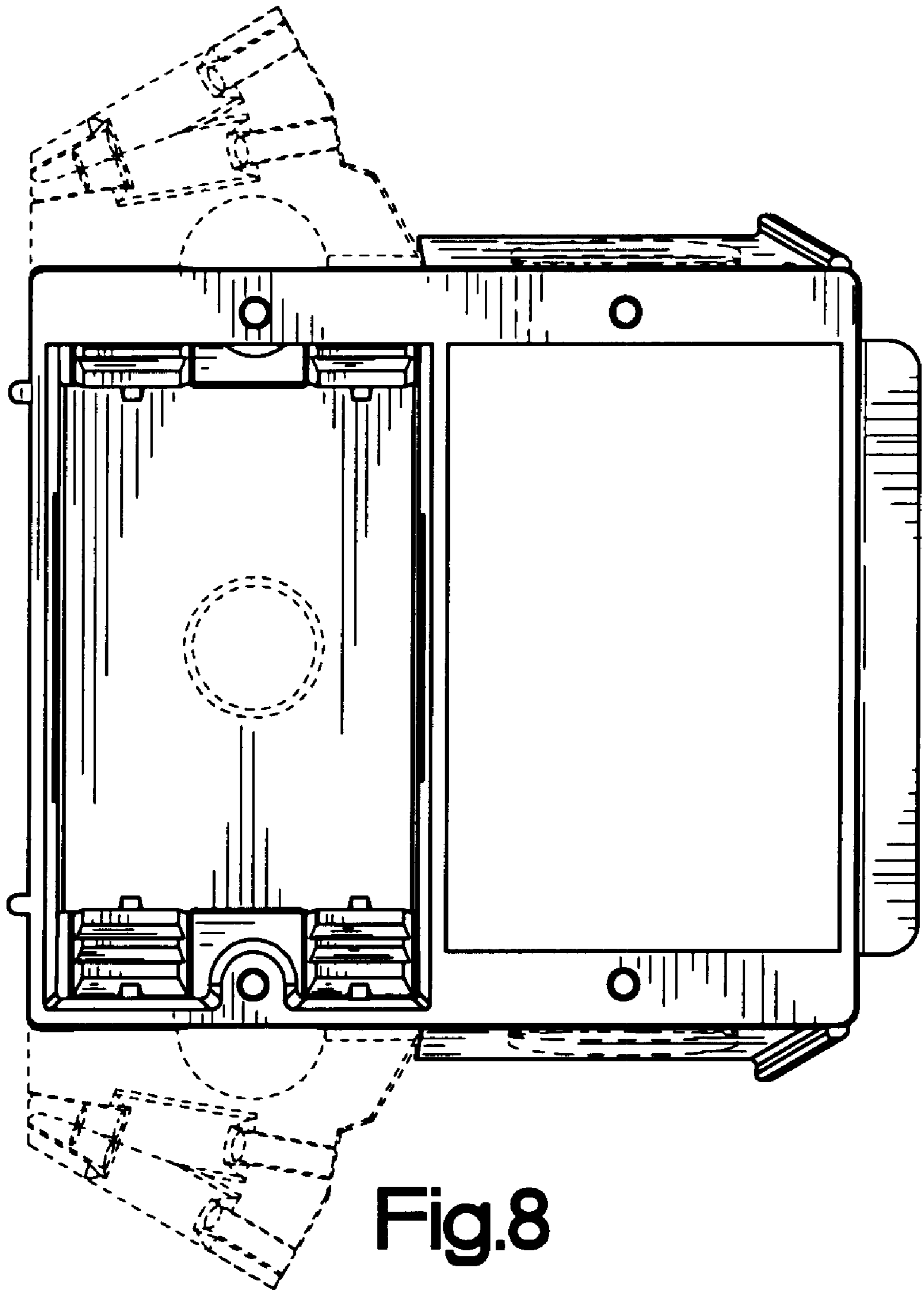


Fig.8