



US00D463374S

(12) **United States Design Patent**  
**Homma et al.**

(10) **Patent No.:** **US D463,374 S**

(45) **Date of Patent:** **\*\* Sep. 24, 2002**

(54) **ELECTRIC CONNECTOR RECEPTACLE**

(75) Inventors: **Kazuhiro Homma**, Tokyo (JP); **Taizo Sogo**, Tokyo (JP)

(73) Assignee: **Honda Tsushin Kogyo Co., Ltd.**, Tokyo (JP)

(\*\*) Term: **14 Years**

(21) Appl. No.: **29/149,188**

(22) Filed: **Oct. 5, 2001**

(30) **Foreign Application Priority Data**

Apr. 19, 2001 (JP) ..... 2001-011357

(51) **LOC (7) Cl.** ..... **13-03**

(52) **U.S. Cl.** ..... **D13/147**

(58) **Field of Search** ..... D13/147; 439/497,  
439/607, 609, 660, 682

(56) **References Cited**

**U.S. PATENT DOCUMENTS**

D379,620 S \* 6/1997 Aramaki ..... D13/147

D408,014 S \* 4/1999 Lai et al. .... D13/147  
D410,897 S \* 6/1999 Huang ..... D13/147  
D434,383 S \* 11/2000 Hu et al. .... D13/147  
D435,831 S \* 1/2001 Ko ..... D13/147  
D455,403 S \* 4/2002 Yoneyama et al. .... D13/147  
D456,011 S \* 4/2002 Shi et al. .... D13/147

\* cited by examiner

*Primary Examiner*—Joel Sincavage

(74) *Attorney, Agent, or Firm*—Wenderoth, Lind & Ponack, L.L.P.

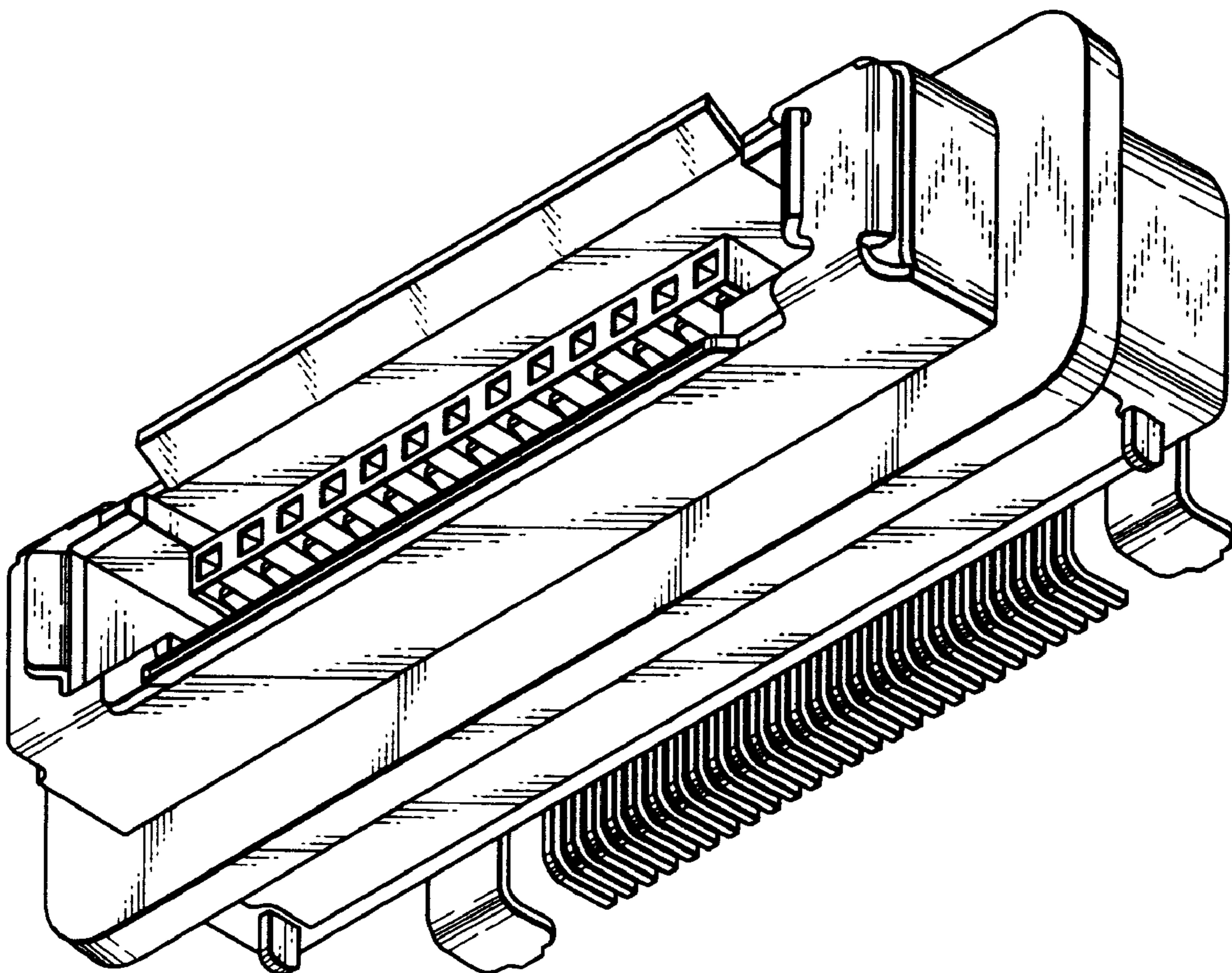
(57) **CLAIM**

The ornamental design for electric connector receptacle, as shown and described.

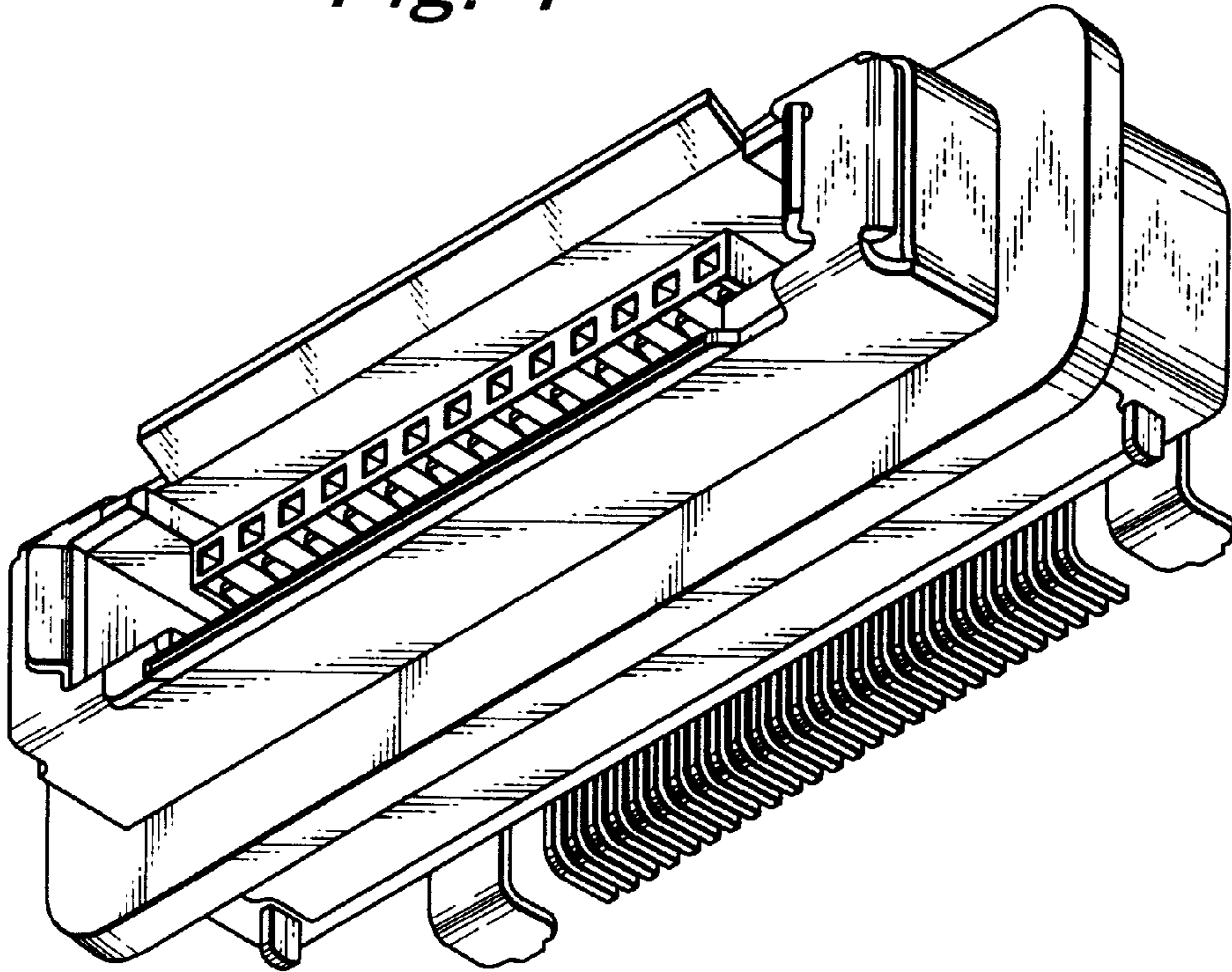
**DESCRIPTION**

FIG. 1 is a front and bottom side of perspective view of the electric connector receptacle showing our new design; and, FIG. 2 is a rear side of perspective view thereof.

**1 Claim, 1 Drawing Sheet**



*Fig. 1*



*Fig. 2*

