



US00D463373S

(12) **United States Design Patent** (10) **Patent No.:** **US D463,373 S**
Lee (45) **Date of Patent:** **** Sep. 24, 2002**

(54) **COMPUTER CONNECTOR HOUSING**

(75) Inventor: **Kendrew Lee**, Fremont, CA (US)

(73) Assignee: **Monster Cable Products, Inc.**,
Brisbane, CA (US)

(**) Term: **14 Years**

(21) Appl. No.: **29/144,625**

(22) Filed: **Jul. 6, 2001**

(51) **LOC (7) Cl.** **13-02**

(52) **U.S. Cl.** **D13/147**

(58) **Field of Search** **D13/147, 154;**
439/362, 359, 610

(56) **References Cited**

U.S. PATENT DOCUMENTS

D297,530	S	*	9/1988	Cooper	D13/147
5,197,900	A	*	3/1993	Ellis et al.	439/352
D375,724	S	*	11/1996	Kammersgard et al.	...	D13/147
5,772,461	A	*	6/1998	Yu	439/352
D396,689	S	*	8/1998	Karten et al.	D13/147
5,812,660	A	*	9/1998	Suzuki et al.	439/607 X
6,139,365	A	*	10/2000	Lok	439/607
D435,519	S	*	12/2000	Lee	D13/147
D436,924	S	*	1/2001	Lee	D13/147
D442,919	S	*	5/2001	Milan	D13/154

* cited by examiner

Primary Examiner—Joel Sincavage

(74) *Attorney, Agent, or Firm*—LaRiviere, Grubman & Payne, LLP

(57) **CLAIM**

The ornamental design for a computer connector housing, as shown and described.

DESCRIPTION

A portion of the disclosure of this design patent document contains material to which a claim of copyright protection is made. The copyright owner has no objection to the facsimile reproduction of the patent document or the patent disclosure as it appears in the U. S. Patent and Trademark Office file or records, but reserves all other rights.

FIG. 1 is a perspective view of a computer connector housing, in accordance with the present invention.

FIG. 2 is a top view thereof.

FIG. 3 is an underside view thereof.

FIG. 4 is a side view thereof.

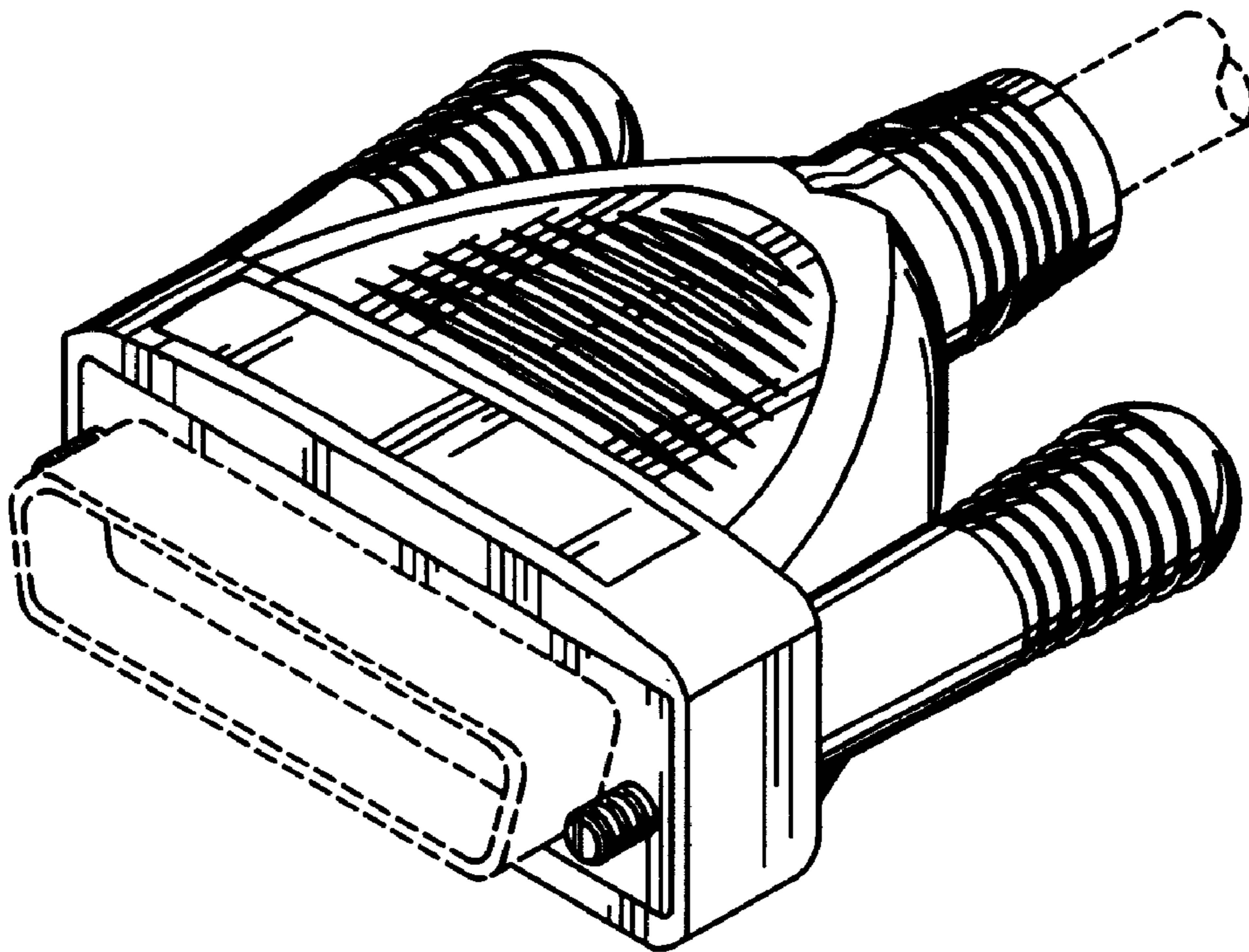
FIG. 5 is a corresponding side view thereof.

FIG. 6 is a rear view thereof; and,

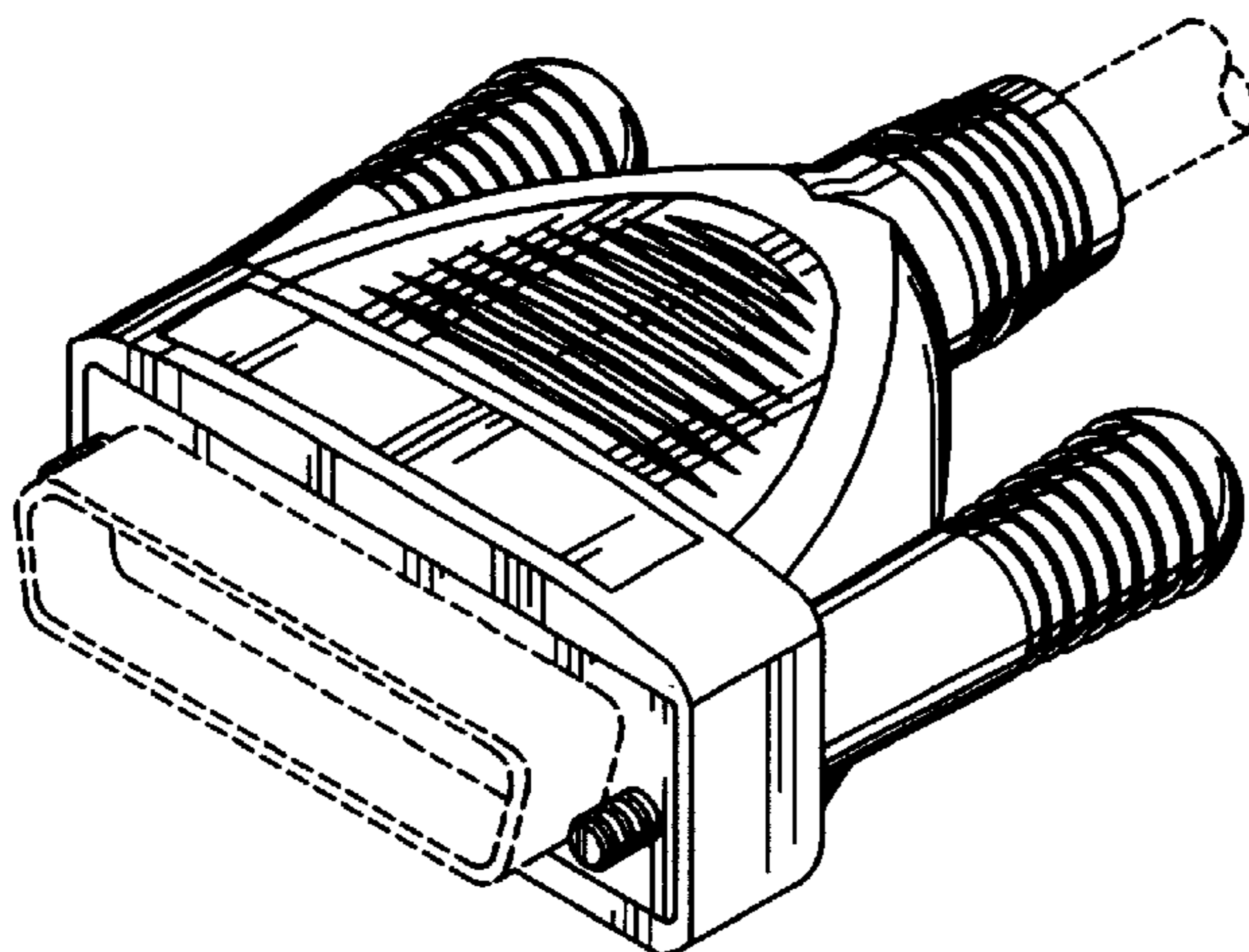
FIG. 7 is a frontal view thereof.

The broken lines showing the printer connector environment in the Figures are for illustrative purposes only and form no part of the claimed design.

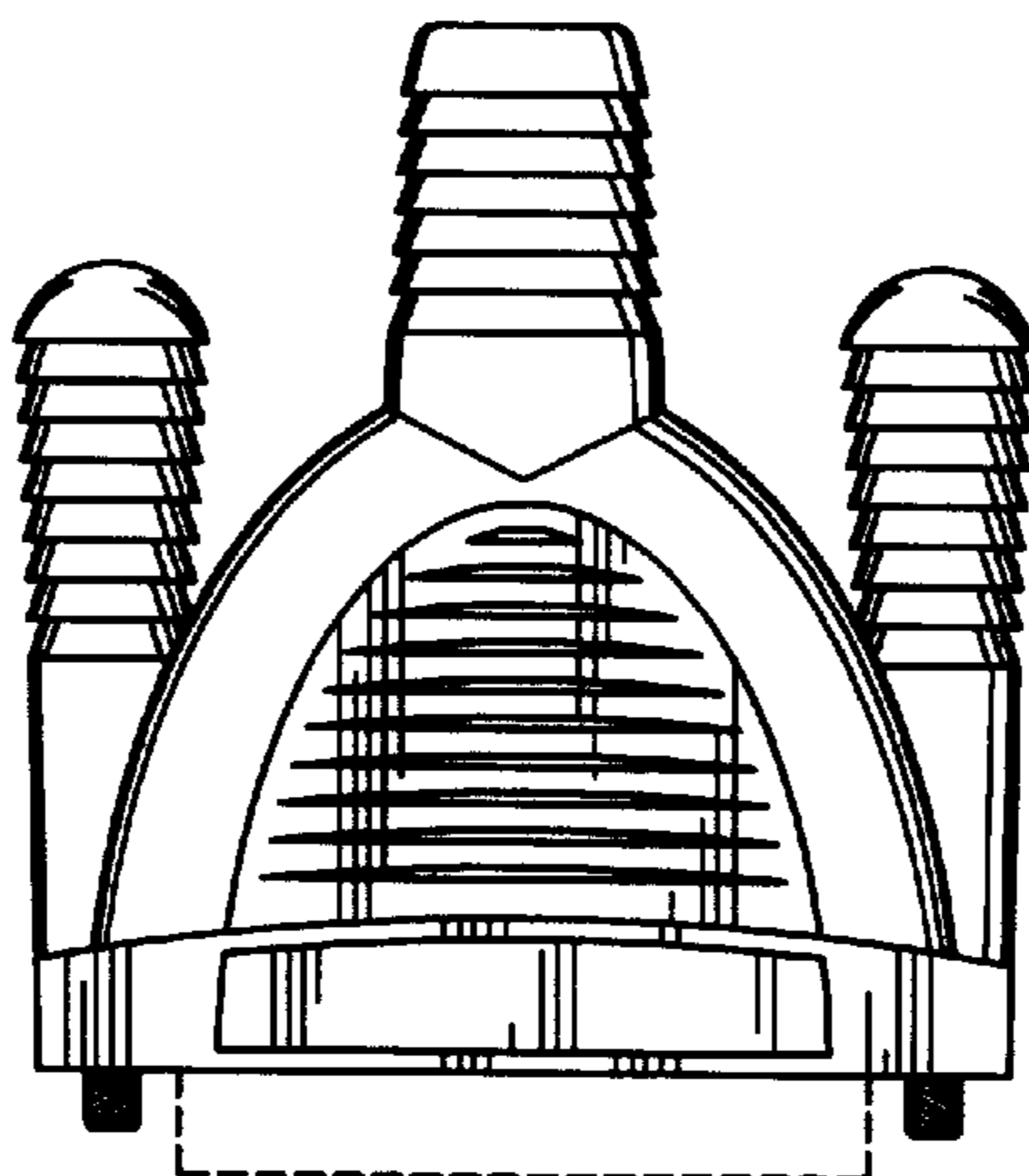
1 Claim, 2 Drawing Sheets



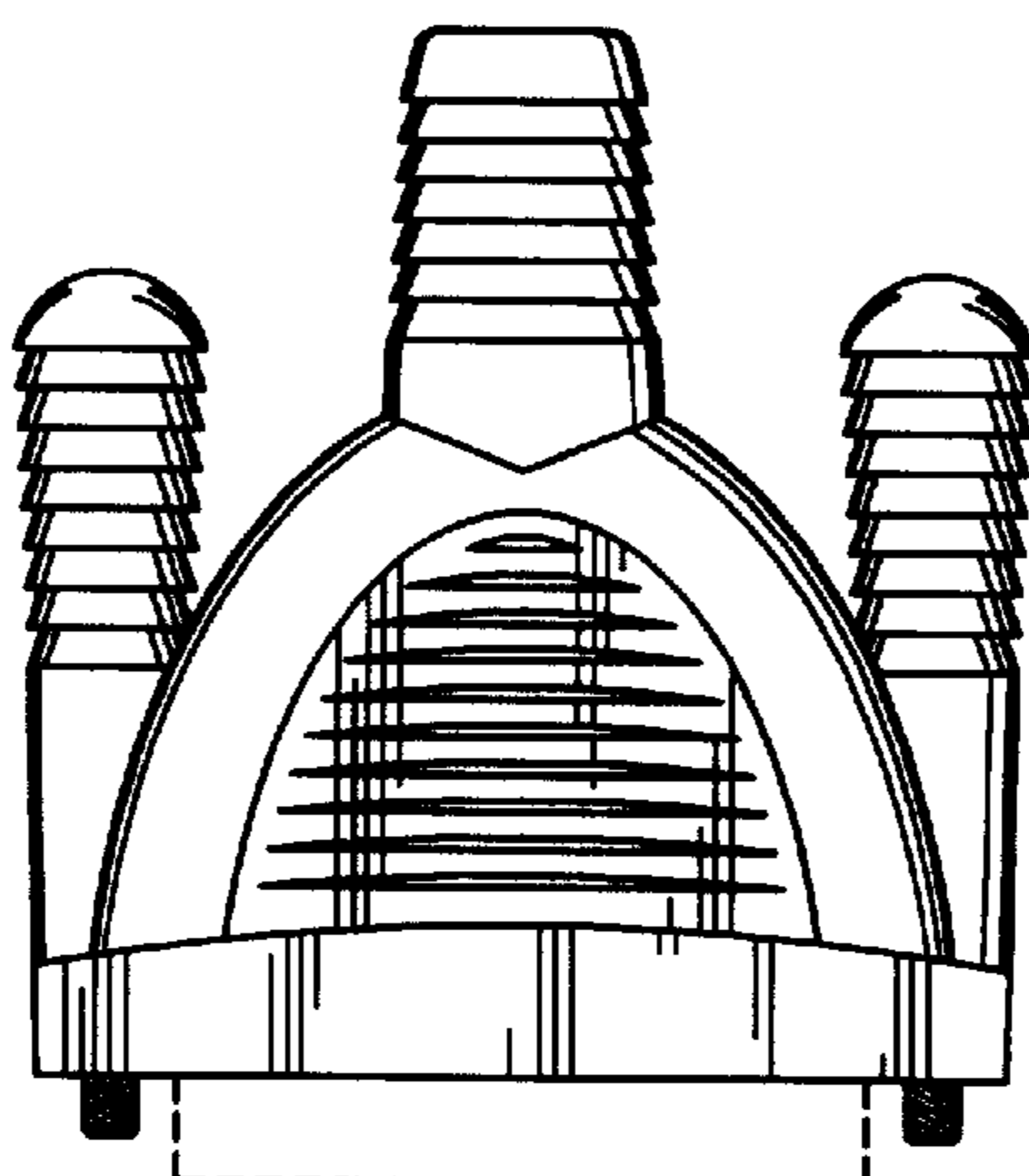
© 2001 Monster Cable Products, Inc.



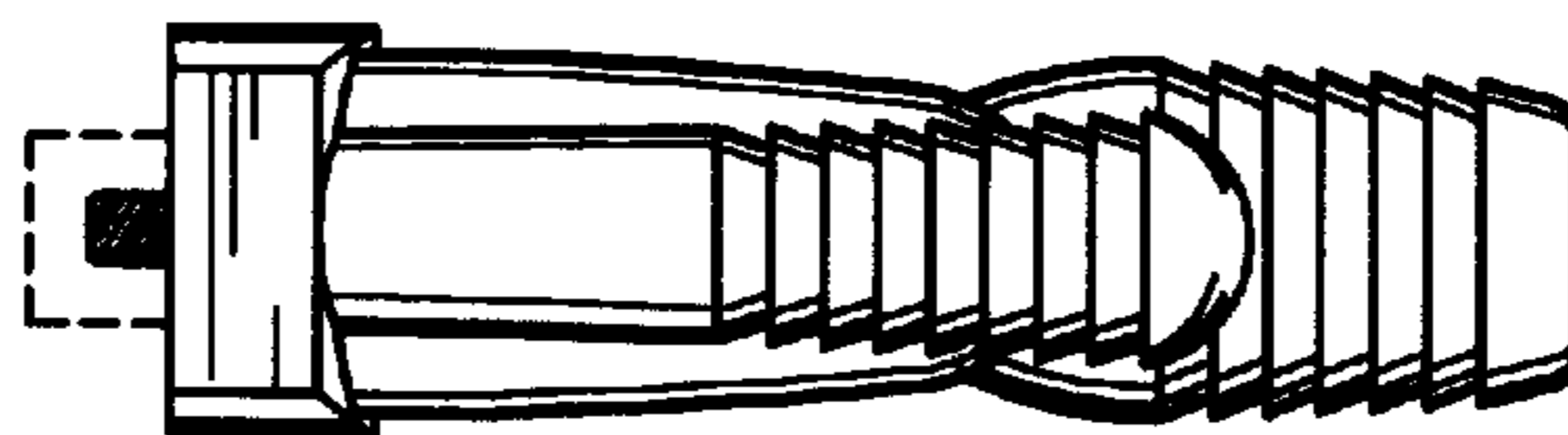
© 2001 Monster Cable Products, Inc.
Figure 1



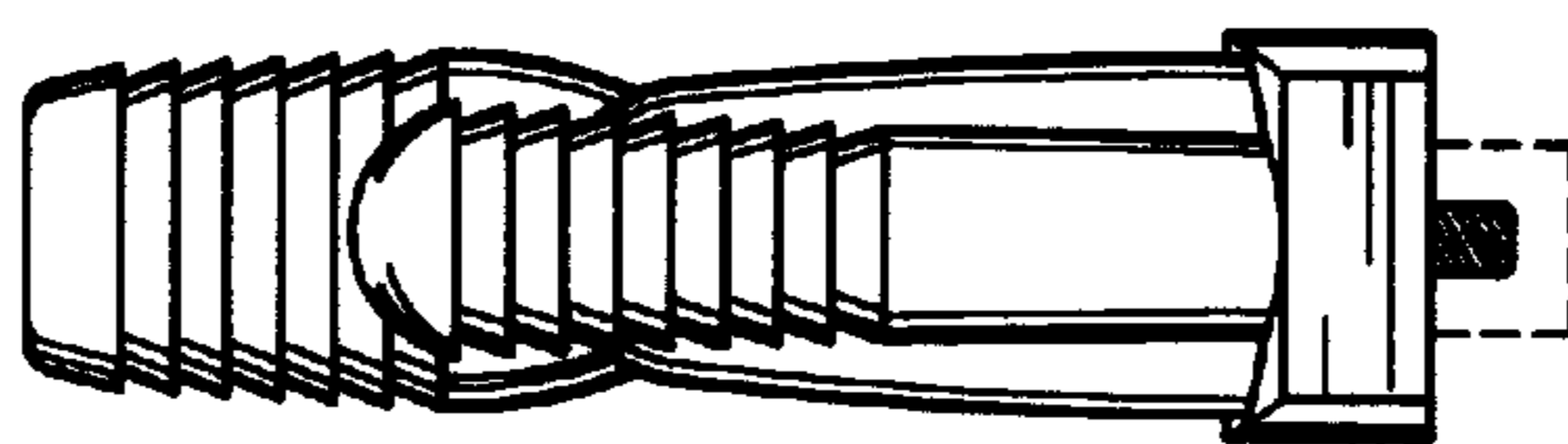
© 2001 Monster Cable Products, Inc.
Figure 2



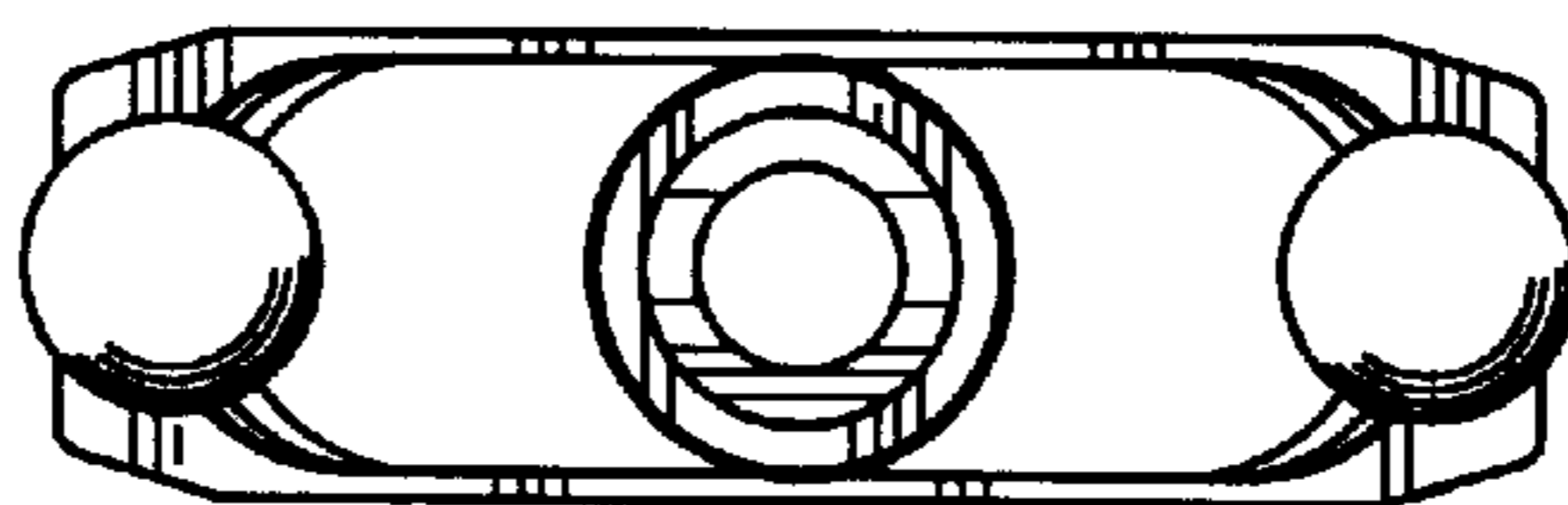
© 2001 Monster Cable Products, Inc.
Figure 3



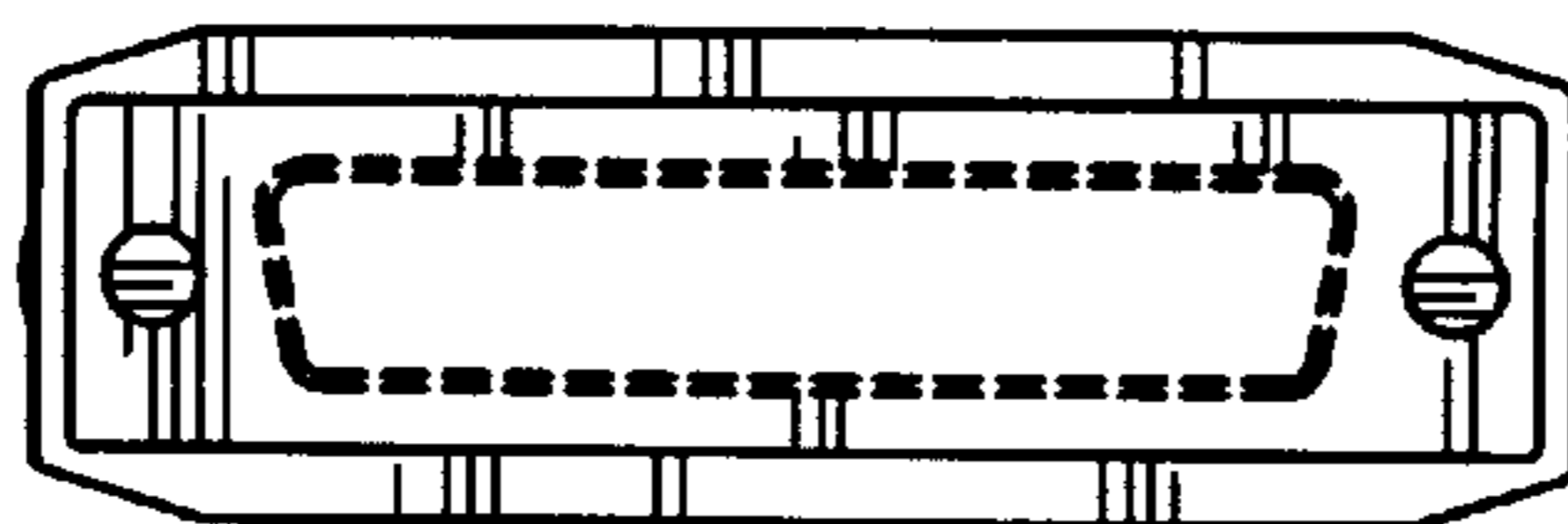
© 2001 Monster Cable Products, Inc.
Figure 4



© 2001 Monster Cable Products, Inc.
Figure 5



© 2001 Monster Cable Products, Inc.
Figure 6



© 2001 Monster Cable Products, Inc.
Figure 7