



US00D463372S

(12) **United States Design Patent**
Sato et al.

(10) **Patent No.:** **US D463,372 S**

(45) **Date of Patent:** **** Sep. 24, 2002**

(54) **ELECTRICAL CONNECTOR**

(75) Inventors: **Yukiko Sato**, Akishima (JP); **Yoshifumi Kubota**, Tokyo (JP); **Osamu Takagi**, Oume (JP)

(73) Assignee: **Japan Aviation Electronics Industry, Limited**, Tokyo (JP)

(**) Term: **14 Years**

(21) Appl. No.: **29/141,606**

(22) Filed: **May 9, 2001**

(30) **Foreign Application Priority Data**

Nov. 15, 2000 (JP) 2000-036580

(51) **LOC (7) Cl.** **13-03**

(52) **U.S. Cl.** **D13/147**

(58) **Field of Search** D13/147, 154;
439/357, 358, 610

(56) **References Cited**

U.S. PATENT DOCUMENTS

4,916,804 A * 4/1990 Yoshimura et al. 439/610 X
D409,148 S * 5/1999 Yotsutani et al. D13/147
D412,154 S * 7/1999 Lok D13/147

6,071,141 A * 6/2000 Semmeling et al. 439/353
6,081,594 A * 6/2000 Tseng 379/420
6,099,339 A * 8/2000 Yanagida et al. 439/358
D437,291 S * 2/2001 Ohtani D13/147

* cited by examiner

Primary Examiner—Joel Sincavage

(74) *Attorney, Agent, or Firm*—Michael Best & Friedrich LLC; J. Warren Whitesel

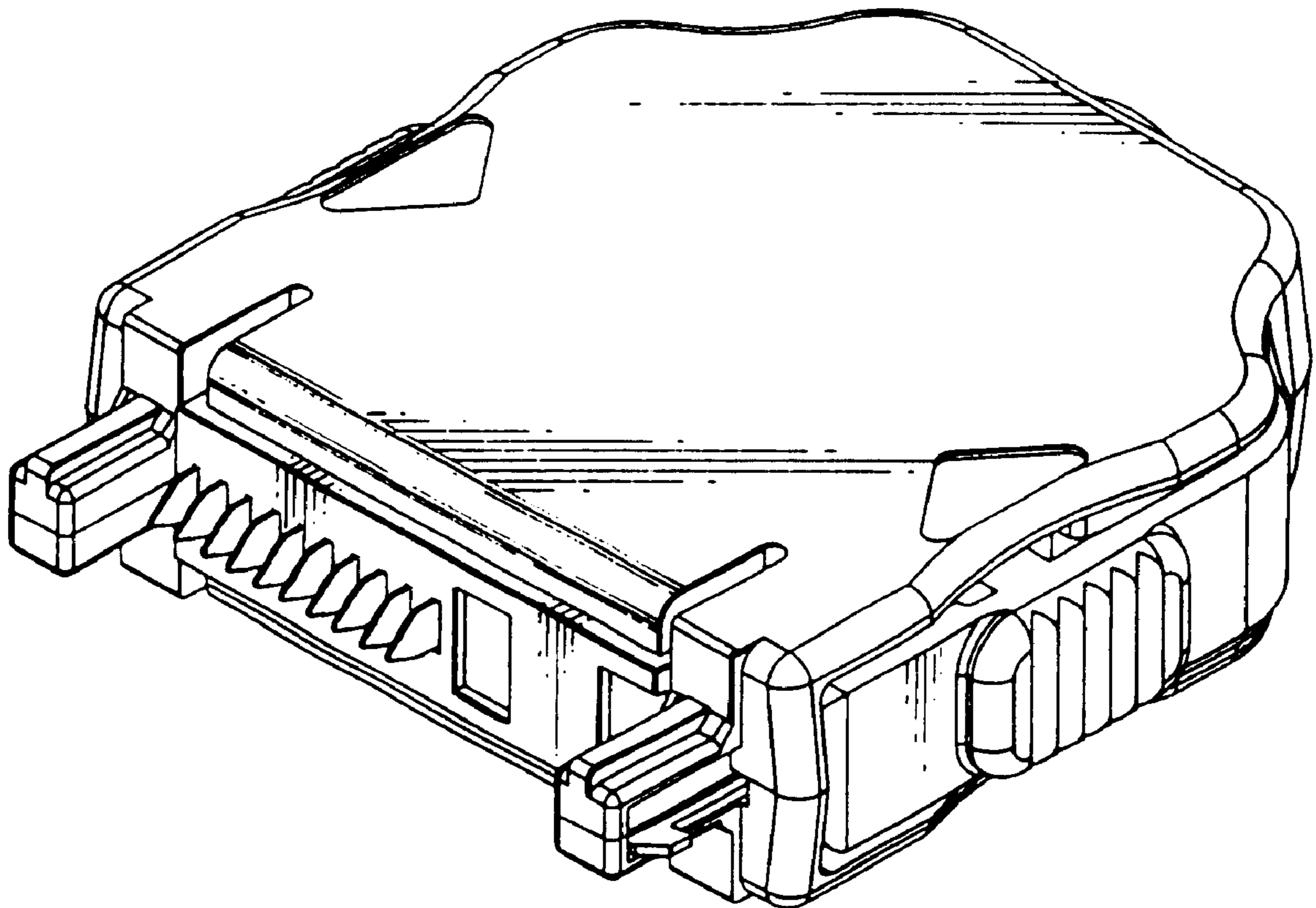
(57) **CLAIM**

The ornamental design for an electrical connector, as shown and described.

DESCRIPTION

FIG. 1 is a front elevational view of an electrical connector; FIG. 2 is a rear elevational view thereof; FIG. 3 is a left side elevational view thereof; FIG. 4 is a cross-sectional view thereof along line 4—4 in FIG. 1; FIG. 5 is a top plan view thereof; FIG. 6 is a bottom plan view thereof; and, FIG. 7 is a front, top, and right side perspective view thereof. A right side elevational view of the electrical connector is omitted because it is presented symmetrical to the left side elevational view of FIG. 3.

1 Claim, 3 Drawing Sheets



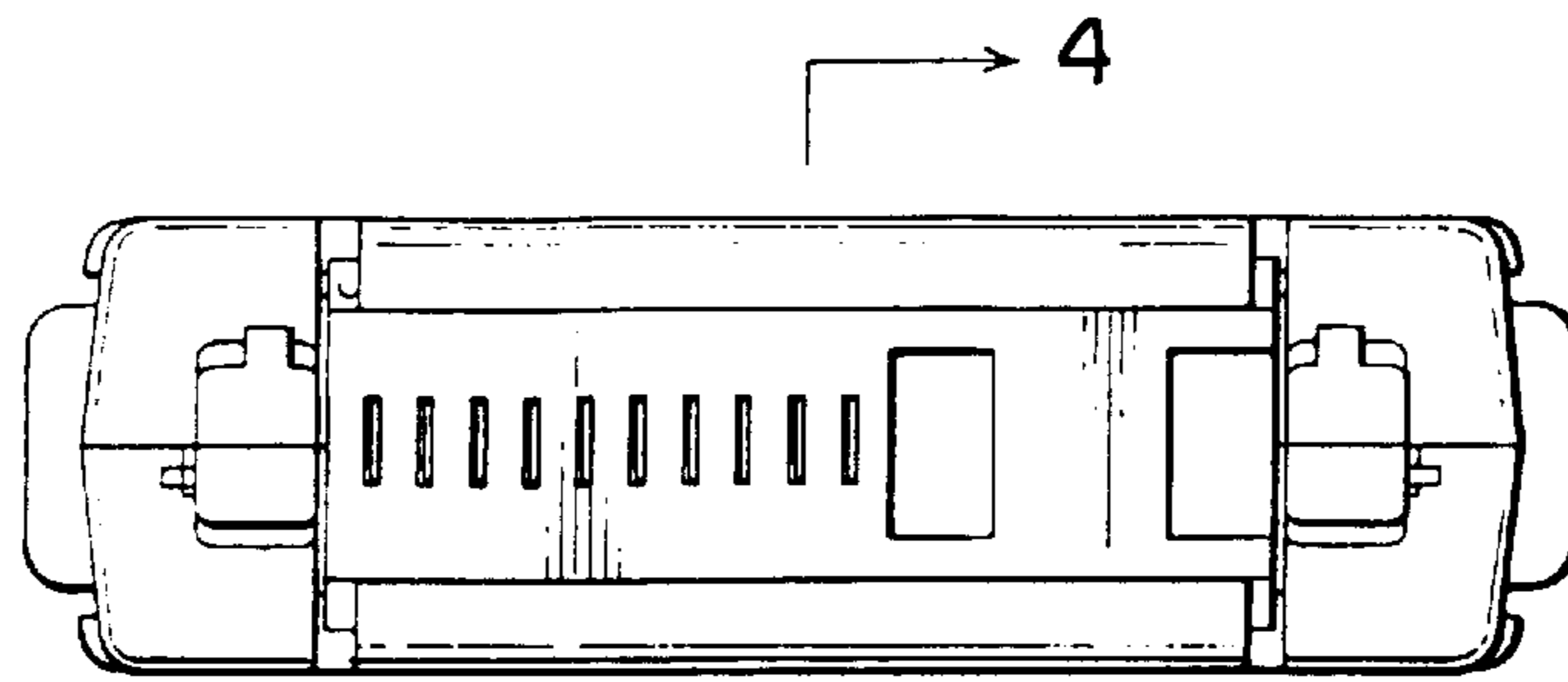


FIG. 1

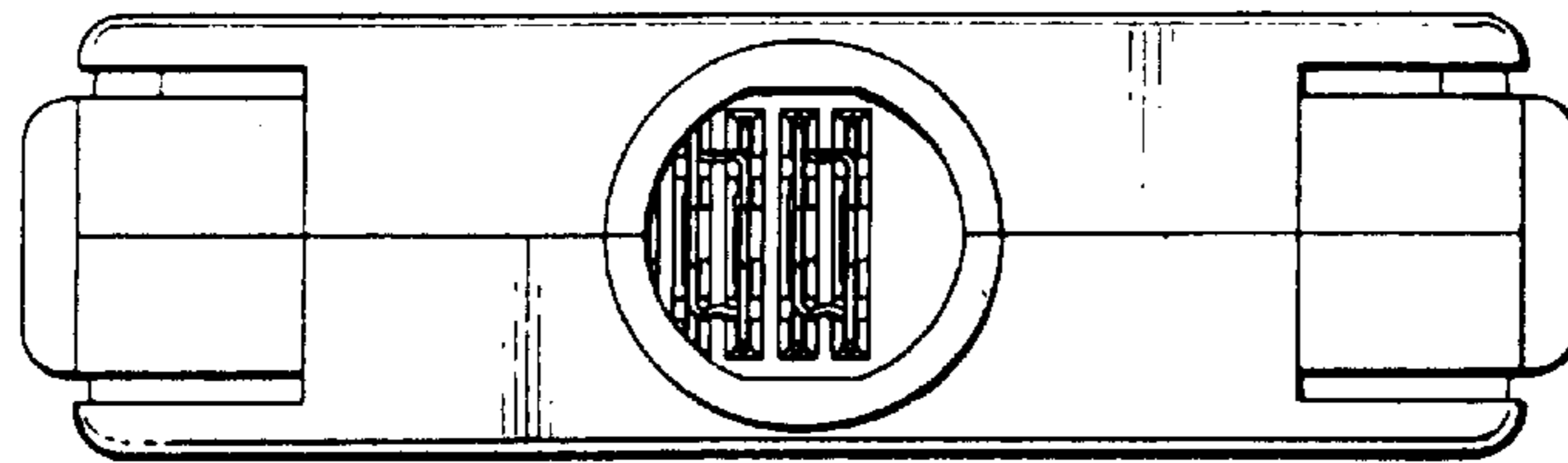


FIG. 2

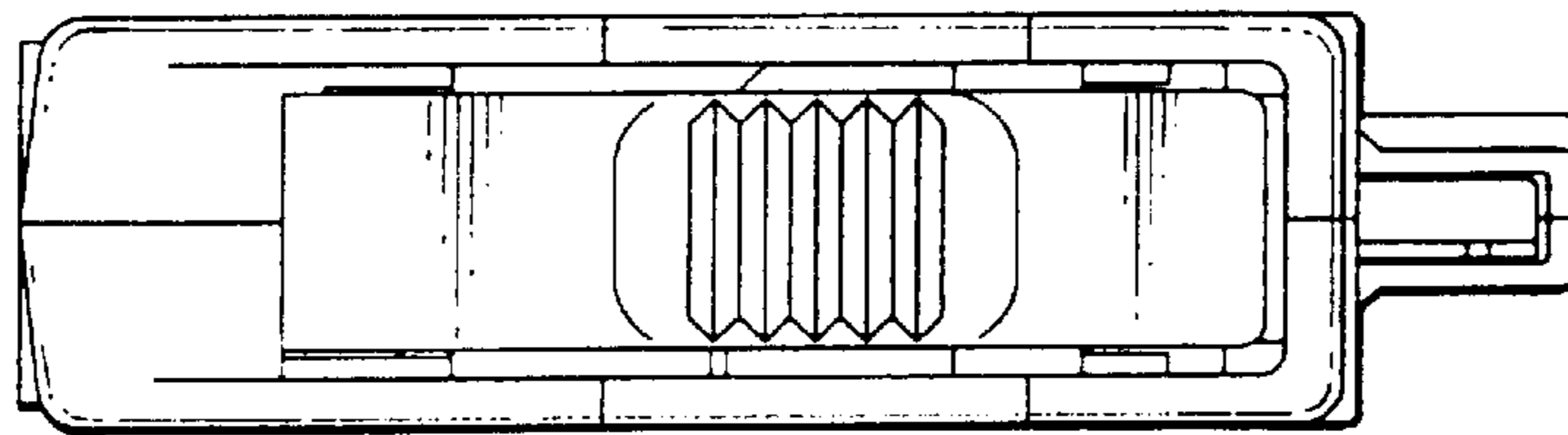


FIG. 3

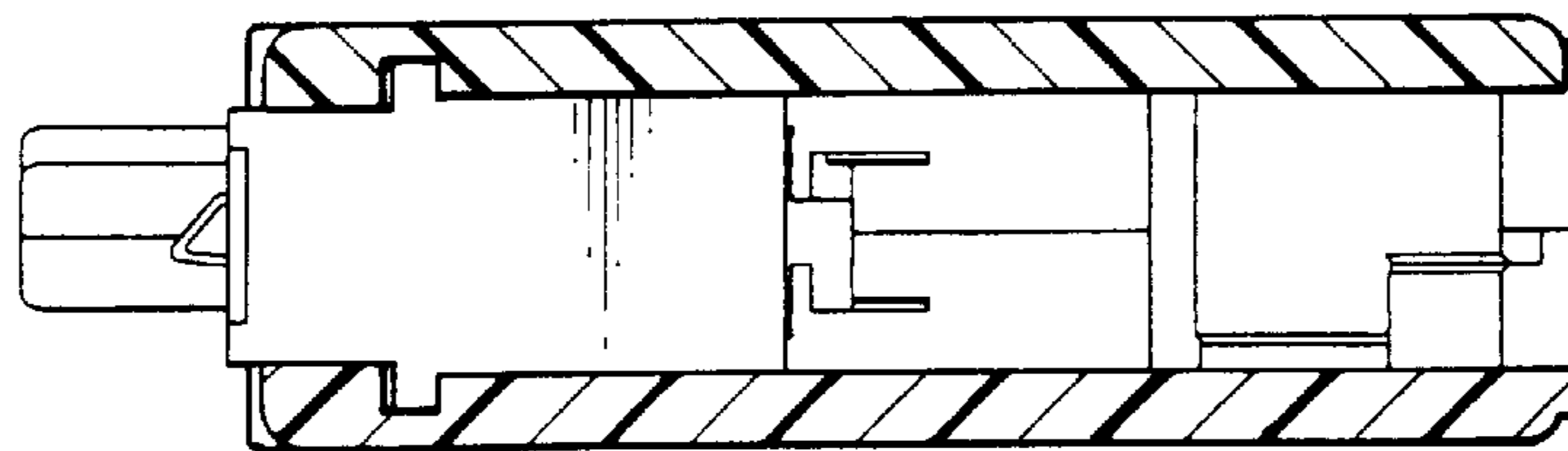


FIG. 4

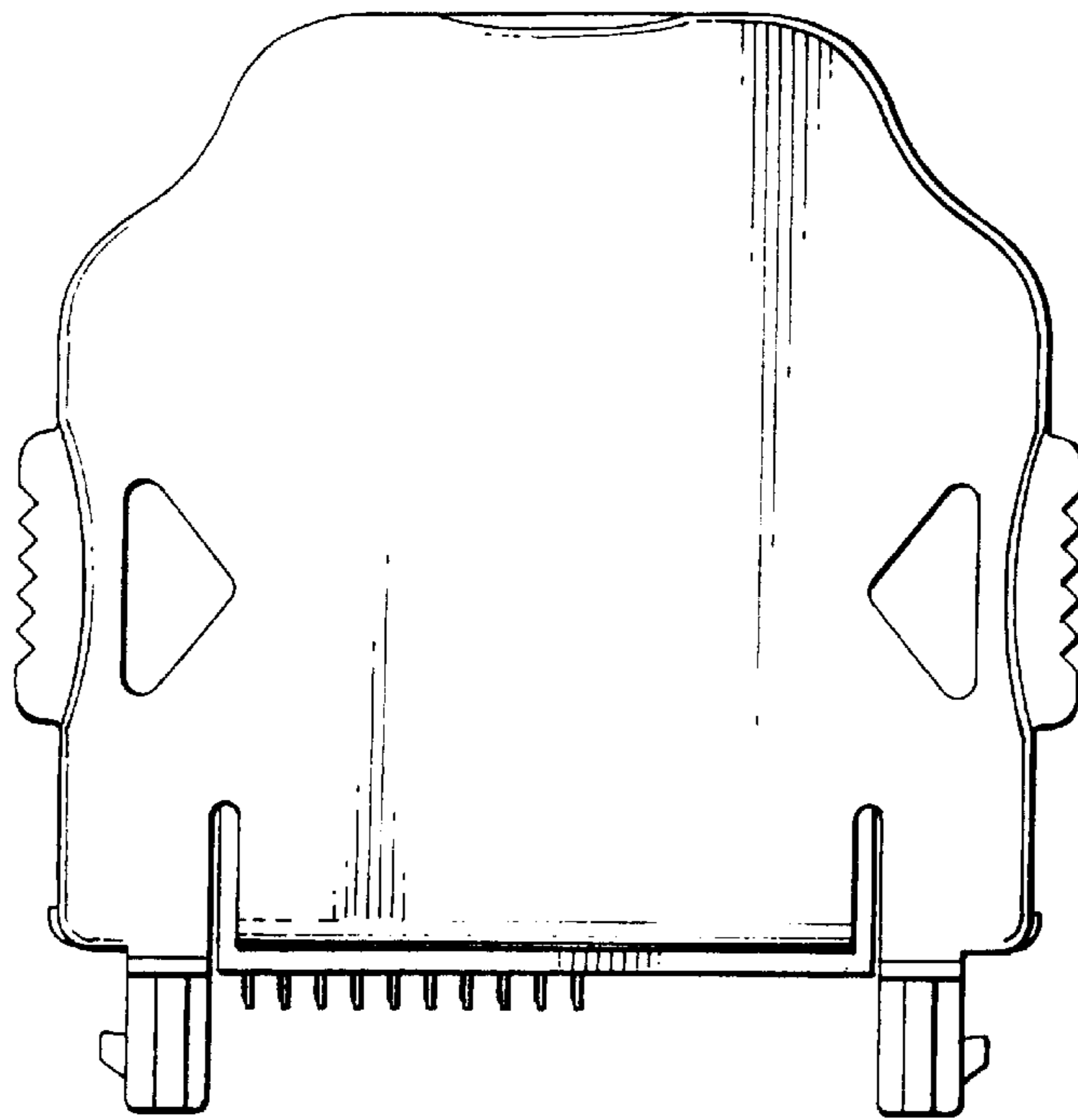


FIG. 5

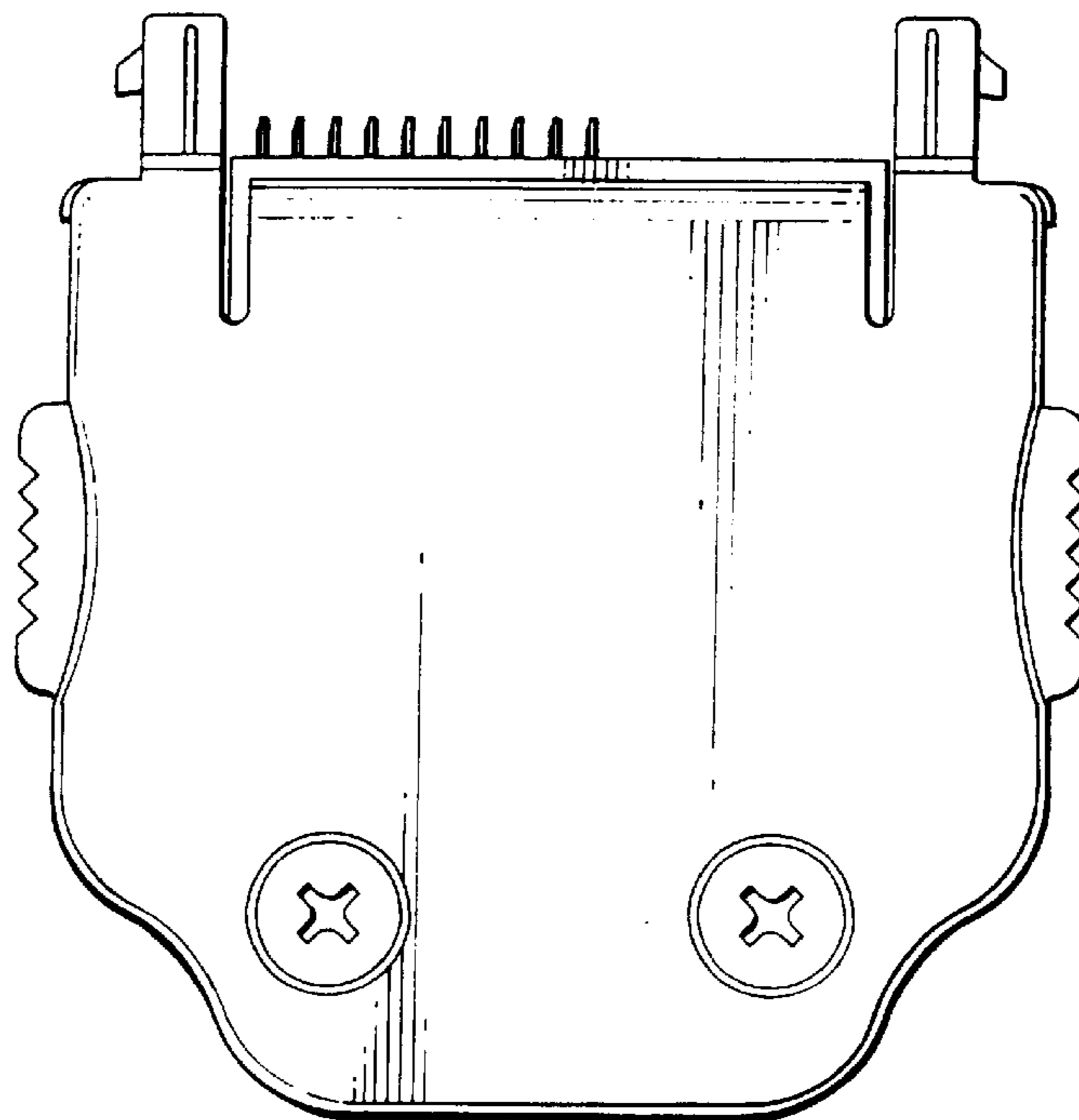


FIG. 6

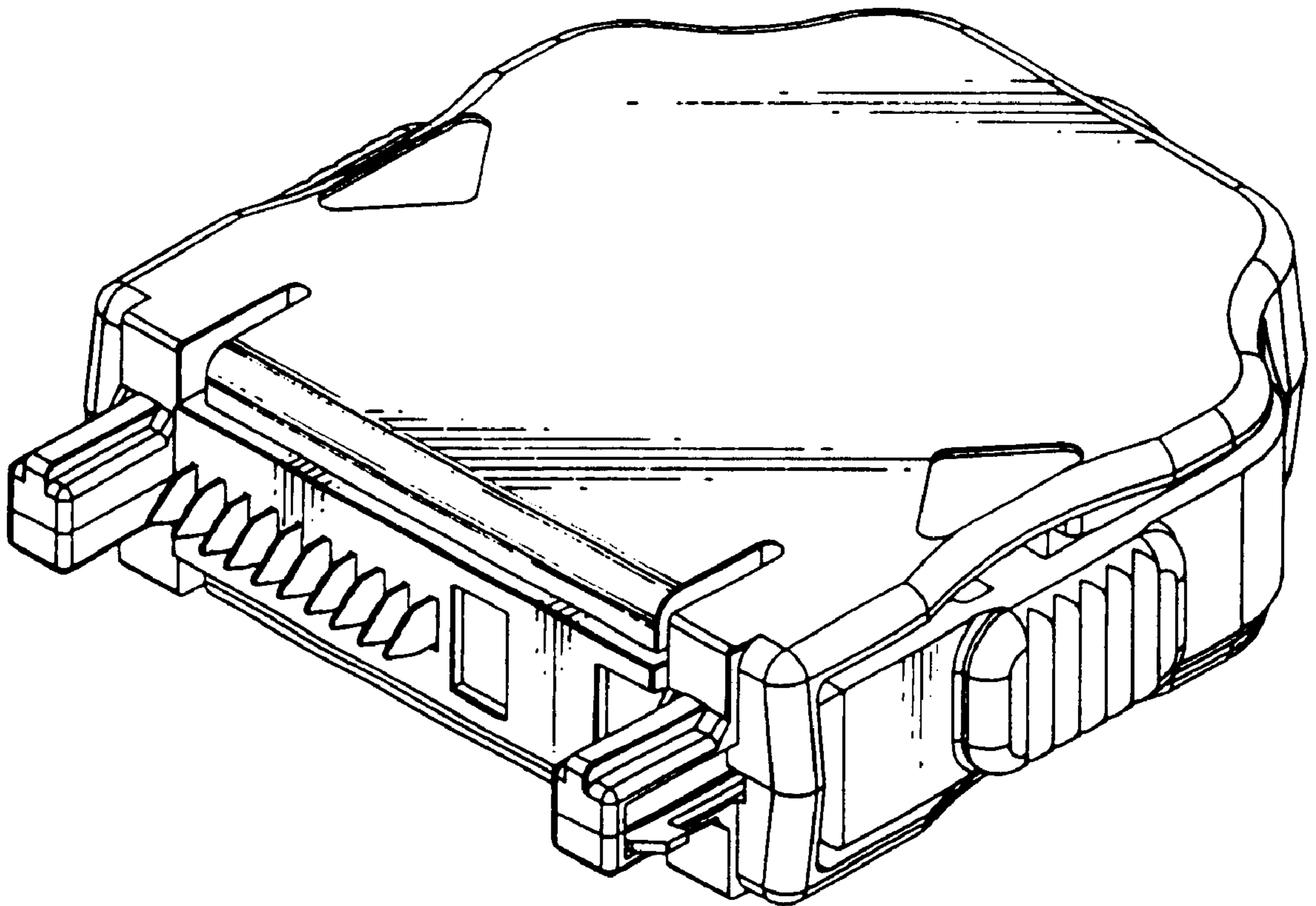


FIG. 7