



US00D463371S

(12) **United States Design Patent**
Lee et al.

(10) **Patent No.:** **US D463,371 S**

(45) **Date of Patent:** **** Sep. 24, 2002**

(54) **ELECTRICAL CONNECTOR**

(75) Inventors: **George Lee**, Taipei (TW); **Eric Juntwait**, Irine, CA (US)

(73) Assignee: **Hon Hai Precision Ind. Co., Ltd.**, Taipei Hsien (TW)

(**) Term: **14 Years**

(21) Appl. No.: **29/133,082**

(22) Filed: **Nov. 20, 2000**

Related U.S. Application Data

(63) Continuation-in-part of application No. 09/207,082, filed on Dec. 7, 1998.

(51) **LOC (7) Cl.** **13-03**

(52) **U.S. Cl.** **D13/147**

(58) **Field of Search** D13/147; 439/680, 439/681, 682, 660, 677, 350, 352-354, 357, 358

(56) **References Cited**

U.S. PATENT DOCUMENTS

D205,509 S * 8/1966 Reynolds D13/147
3,366,729 A * 1/1968 Pauza D13/147 X

D210,533 S * 3/1968 Pauza D13/147
D216,888 S * 3/1970 Kunkle D13/147
4,398,073 A * 8/1983 Botz et al. 439/350 X
4,462,654 A * 7/1984 Aiello 439/347
4,915,650 A * 4/1990 Daly et al. 439/498
D324,031 S * 2/1992 Lambert, II et al. D13/147
6,017,252 A * 1/2000 May et al. 439/752
6,074,237 A * 6/2000 Lee 439/358 X
6,171,131 B1 * 1/2001 Lee 439/358

* cited by examiner

Primary Examiner—Joel Sincavage

(74) *Attorney, Agent, or Firm*—Wei Te Chung

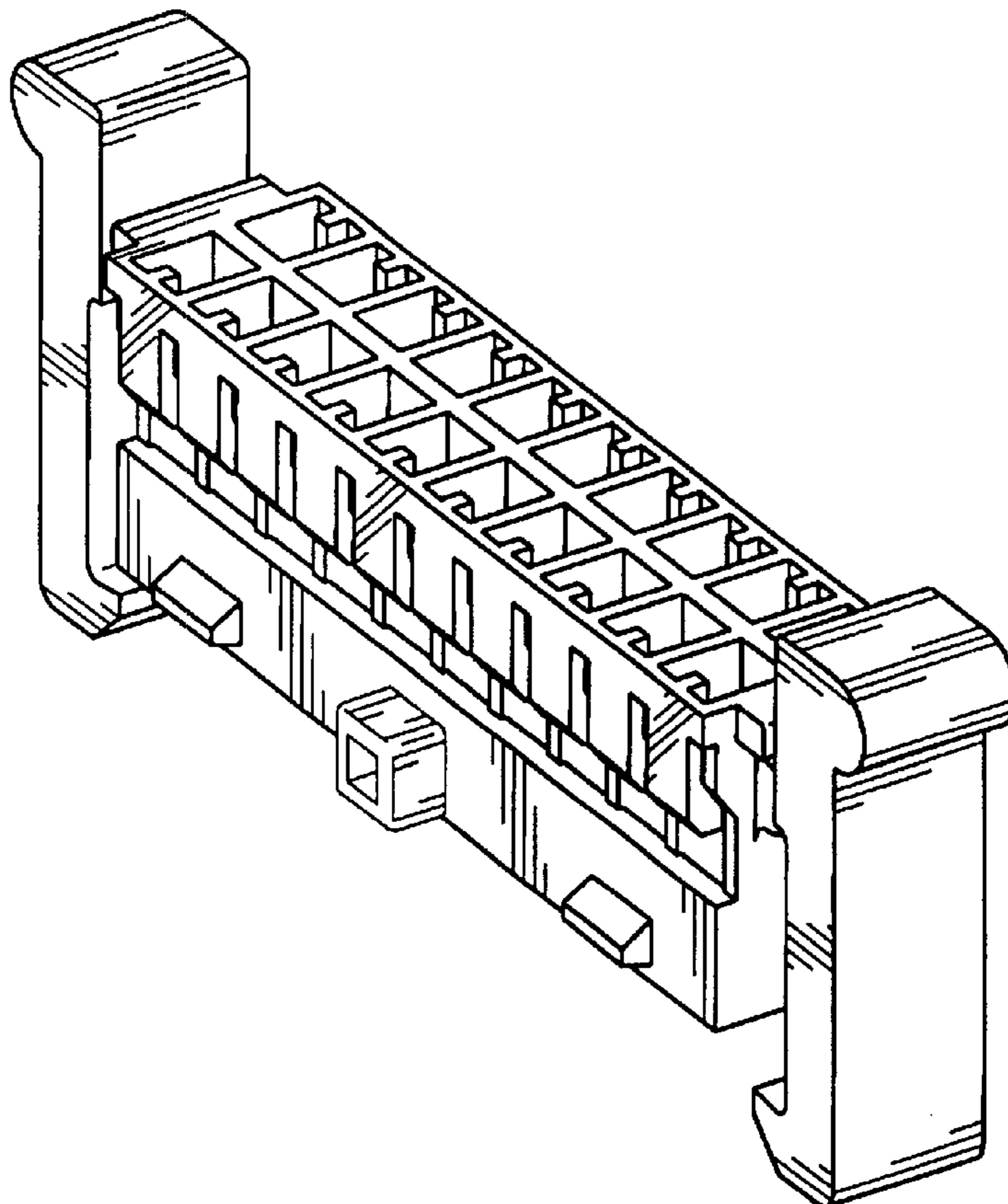
(57) **CLAIM**

The ornamental design for an electrical connector, as shown.

DESCRIPTION

FIG. 1 is a front, top and right side perspective view of a first embodiment of an electrical connector of my new design; FIG. 2 is a front elevational view of FIG. 1; FIG. 3 is a rear elevational view of FIG. 1; FIG. 4 is a left side elevational view of FIG. 1; FIG. 5 is a right side elevational view of FIG. 1; FIG. 6 is a top plan view of FIG. 1; and, FIG. 7 is a bottom plan view of FIG. 1.

1 Claim, 4 Drawing Sheets



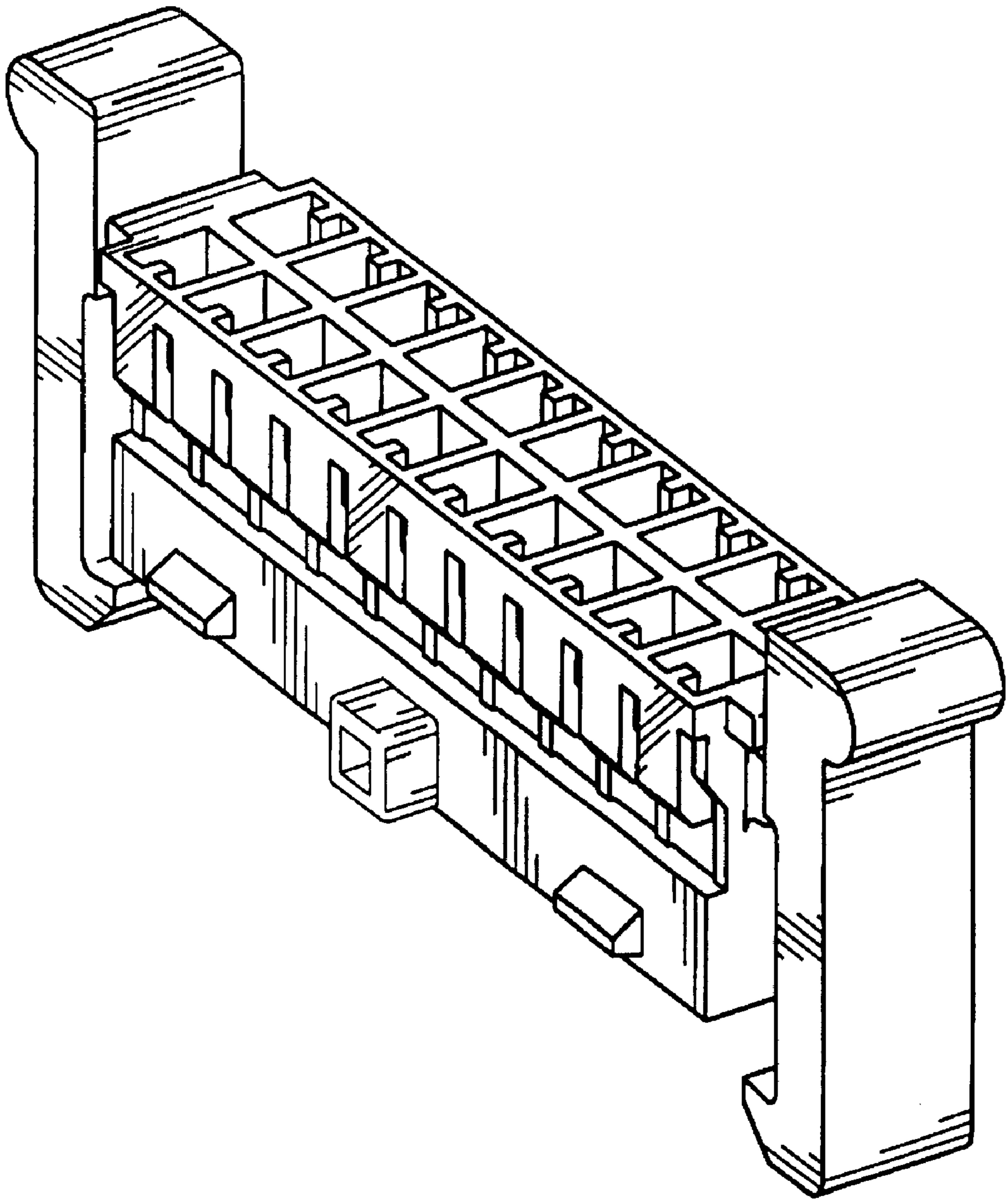


FIG. 1

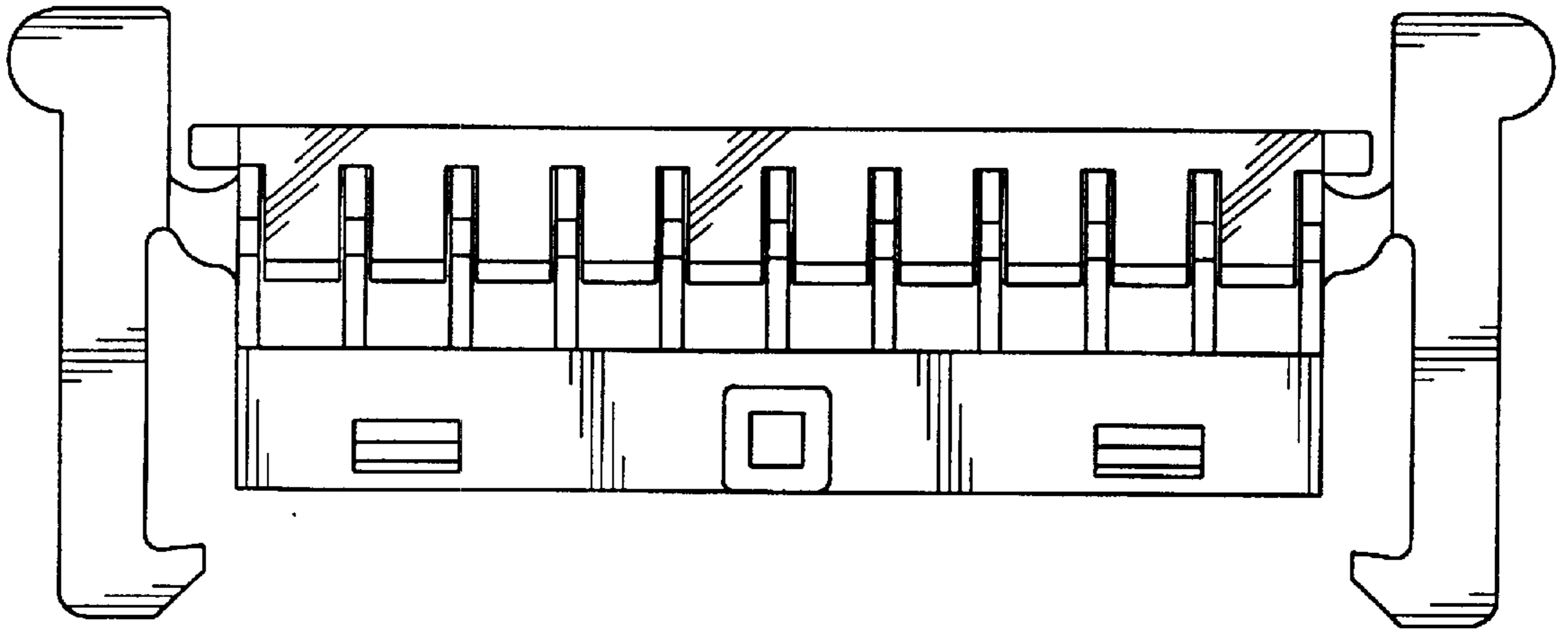


FIG. 2

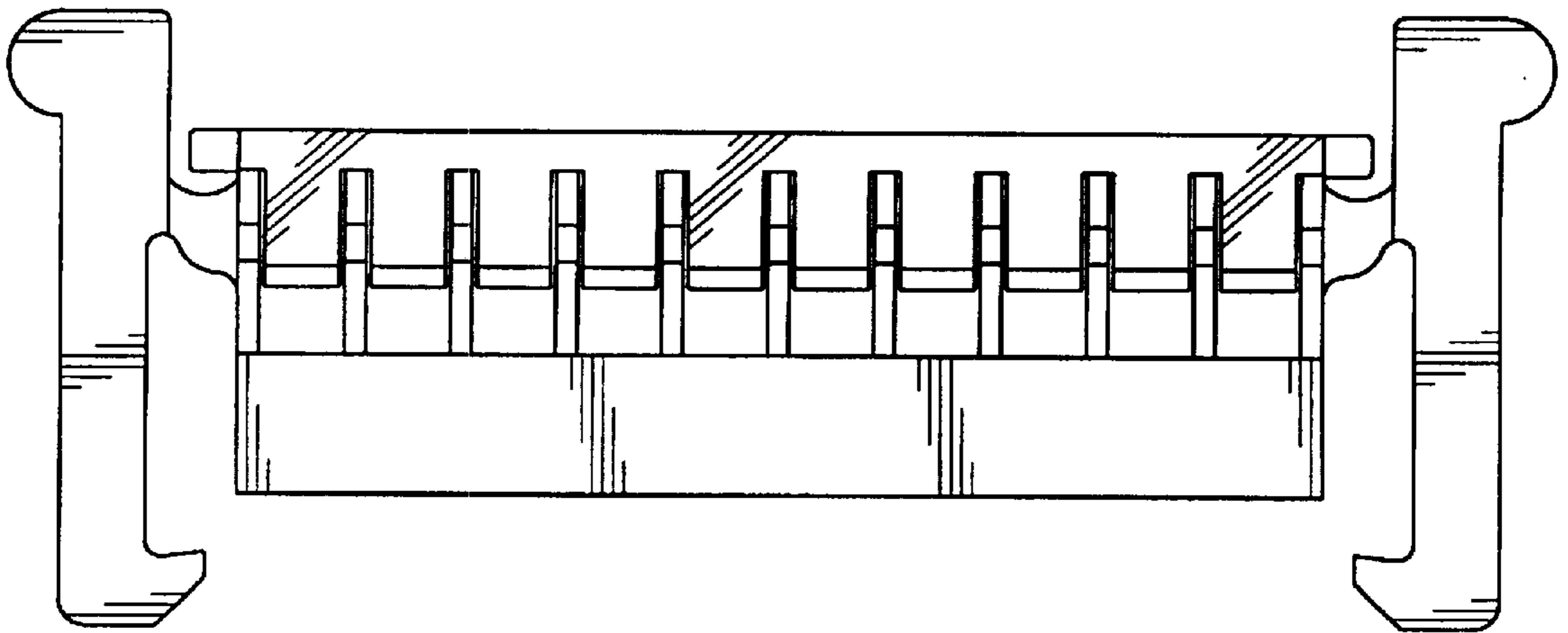


FIG. 3

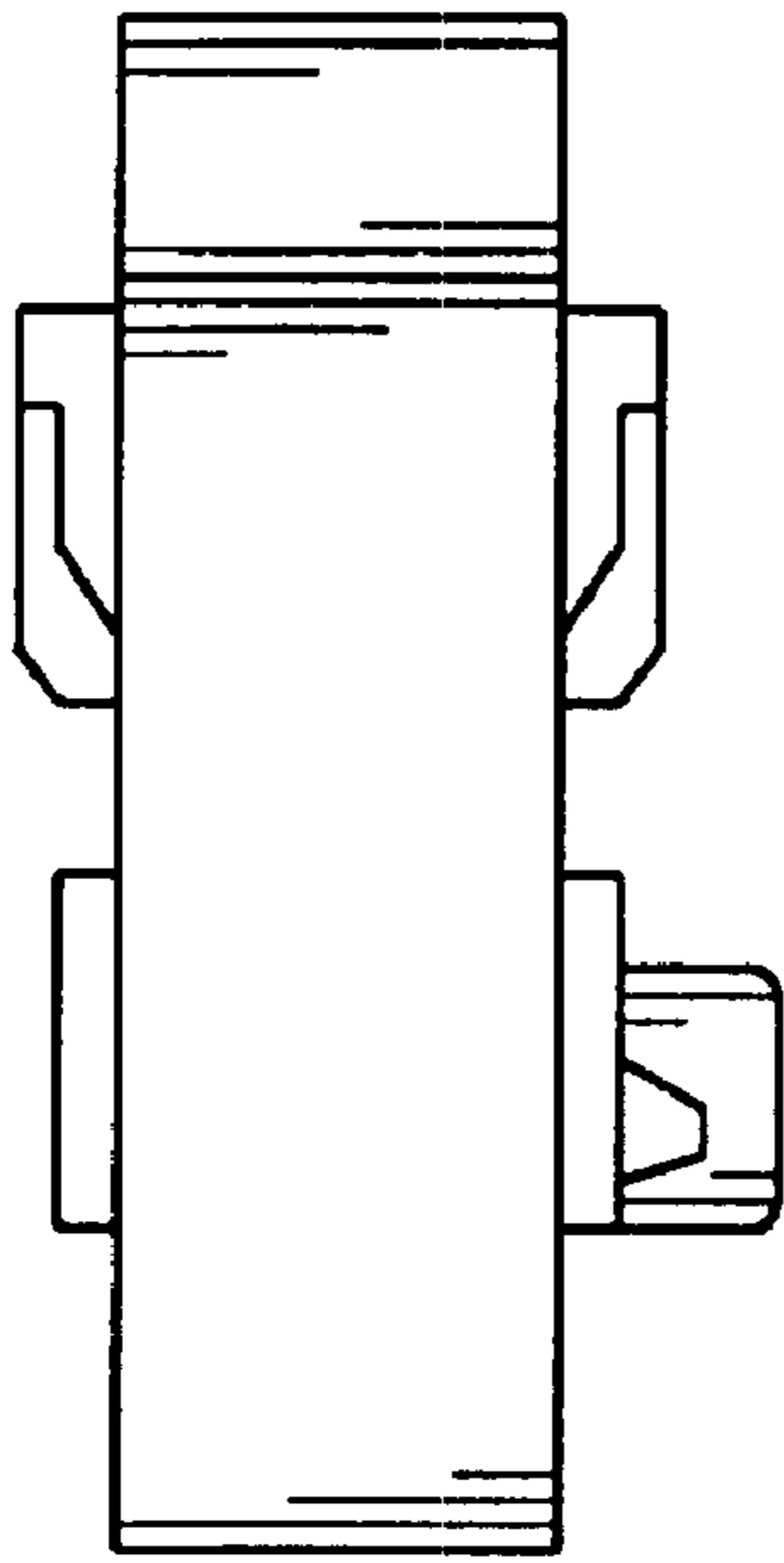


FIG. 4

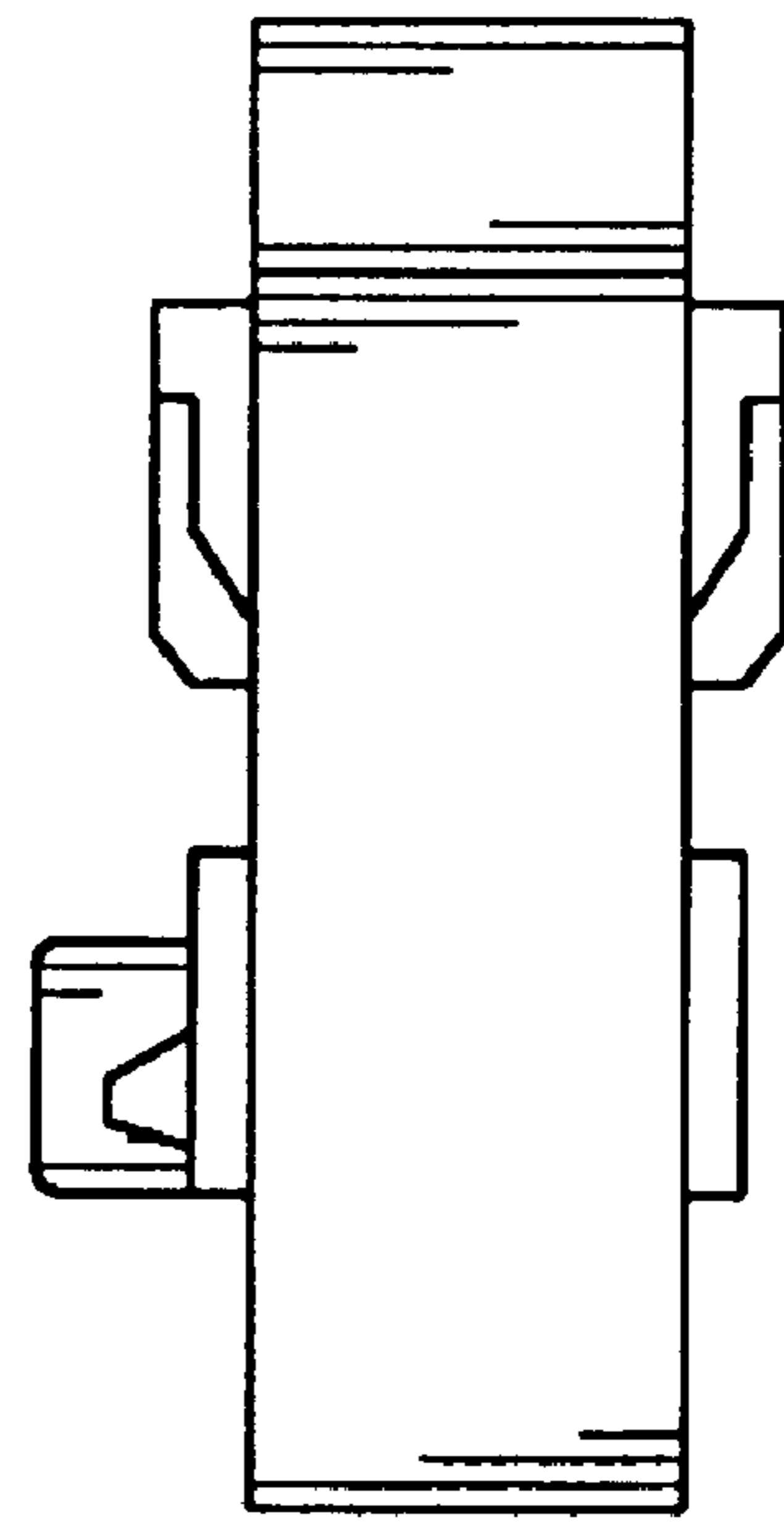


FIG. 5

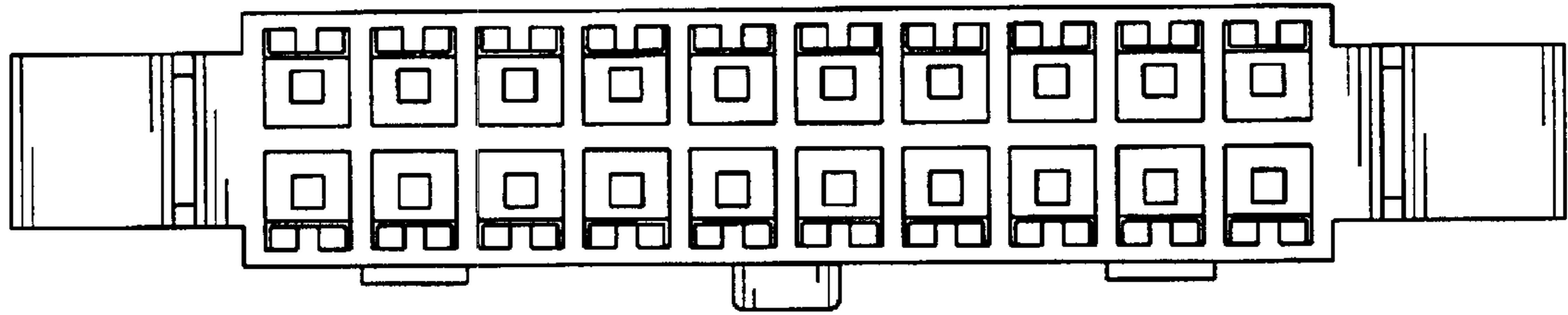


FIG. 6

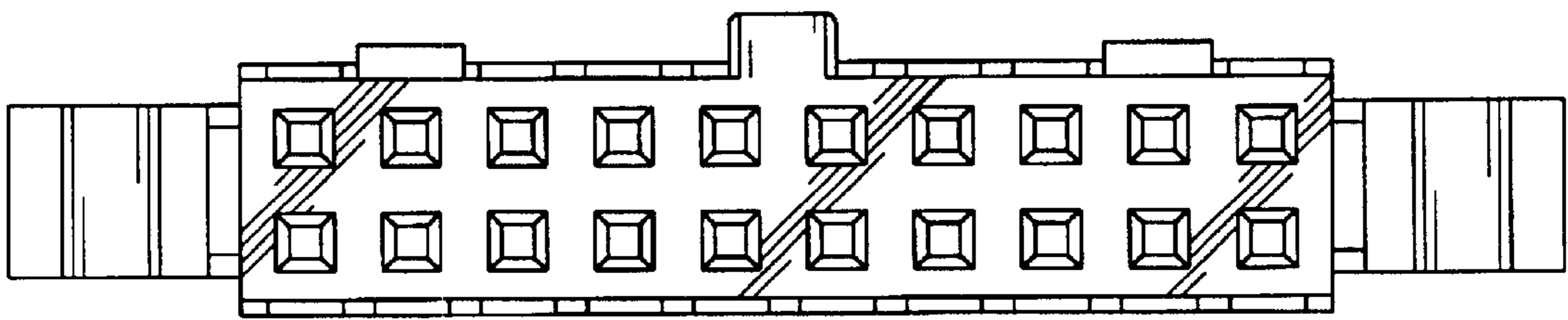


FIG. 7