

US00D463369S

(12) **United States Design Patent**
Eisenbraun

(10) **Patent No.:** **US D463,369 S**

(45) **Date of Patent:** **** Sep. 24, 2002**

(54) **FLEXIBLE ELECTRIC COUPLER**

(75) **Inventor:** **Kenneth D. Eisenbraun**, Bloomfield Village, MI (US)

(73) **Assignee:** **United Global Sourcing, Inc.**, Troy, MI (US)

(**) **Term:** **14 Years**

(21) **Appl. No.:** **29/143,114**

(22) **Filed:** **Jun. 7, 2001**

(51) **LOC (7) Cl.** **13-03**

(52) **U.S. Cl.** **D13/144**

(58) **Field of Search** D8/25, 59, 60, D8/61, 62, 64, 67, 68, 82, DIG. 7; 81/54, 57, 57.11, 57.13, 57.14, 57.29, 57.39, 57.42, 58, 60, 61, 62, 63, 63.1, 63.2, 177.1, 177.4, 177.6, 177.8, 177.85, 177.9, 469, 474; 173/169, 170, 182, 216, 217; D13/144, 133, 155

(56) **References Cited**

U.S. PATENT DOCUMENTS

2,149,549 A	3/1939	Reis	248/274
4,227,765 A	* 10/1980	Neumann et al.	D13/133
4,540,929 A	9/1985	Binkley	320/2
5,170,067 A	12/1992	Baum et al.	307/10.1
5,179,590 A	1/1993	Wang	379/454
D349,275 S	* 8/1994	Hollander	D13/133
5,414,770 A	5/1995	Wang	379/446
D367,846 S	3/1996	Moshe	D13/144
5,510,691 A	4/1996	Palatov	320/2

D373,756 S	9/1996	Chen	D13/108
B1367,846	11/1997	Moshe	D13/144
5,839,919 A	11/1998	Chen	439/529
5,844,472 A	12/1998	Lee	340/438
5,847,545 A	12/1998	Chen et al.	320/138
6,064,177 A	5/2000	Dixon	320/111
6,140,938 A	10/2000	Lam	340/815.4
6,157,163 A	12/2000	Blackwood	320/115
D439,495 S	* 3/2001	McCalla et al.	D8/107
D443,863 S	* 6/2001	Maccarone et al.	D13/155

* cited by examiner

Primary Examiner—Doris V. Coles

Assistant Examiner—Elizabeth A. Albert

(74) *Attorney, Agent, or Firm*—Gifford, Krass, Groh, Sprinkle, Anderson & Citkowski, P.C.

(57) **CLAIM**

The ornamental design for a flexible electric coupler, as shown and described.

DESCRIPTION

FIG. 1 is a frontal view of the coupler portion of the flexible electrical coupler with a cable extending therefrom in accordance with the present invention, shown for ease of illustration;

FIG. 2 is a plan view of FIG. 1;

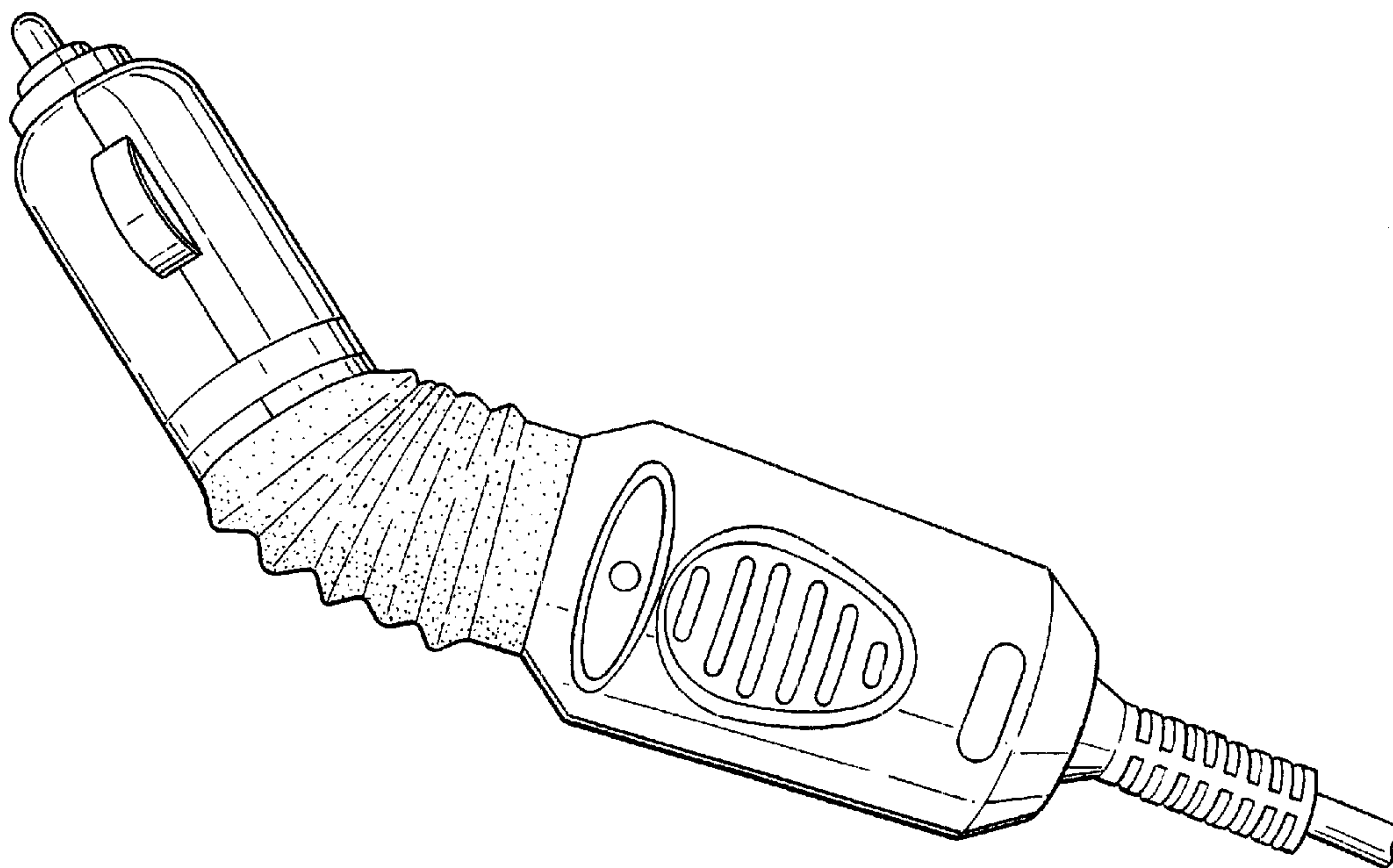
FIG. 3 is a first side view of FIG. 1;

FIG. 4 is a bottom view of FIG. 1;

FIG. 5 is a perspective rear view of FIG. 1; and,

FIG. 6 is an opposing side view relative to the first side view of FIG. 3.

1 Claim, 3 Drawing Sheets



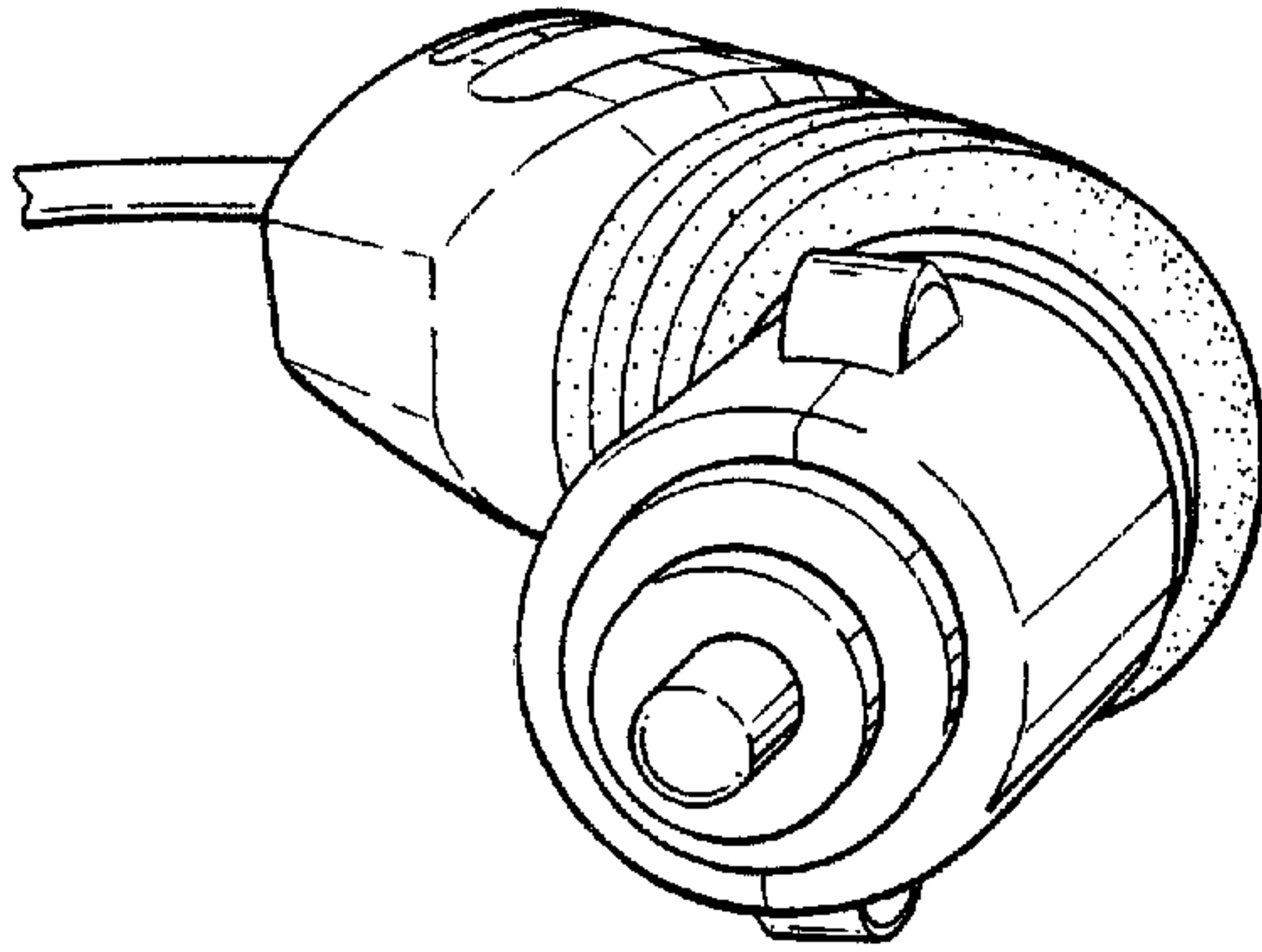


FIG-1

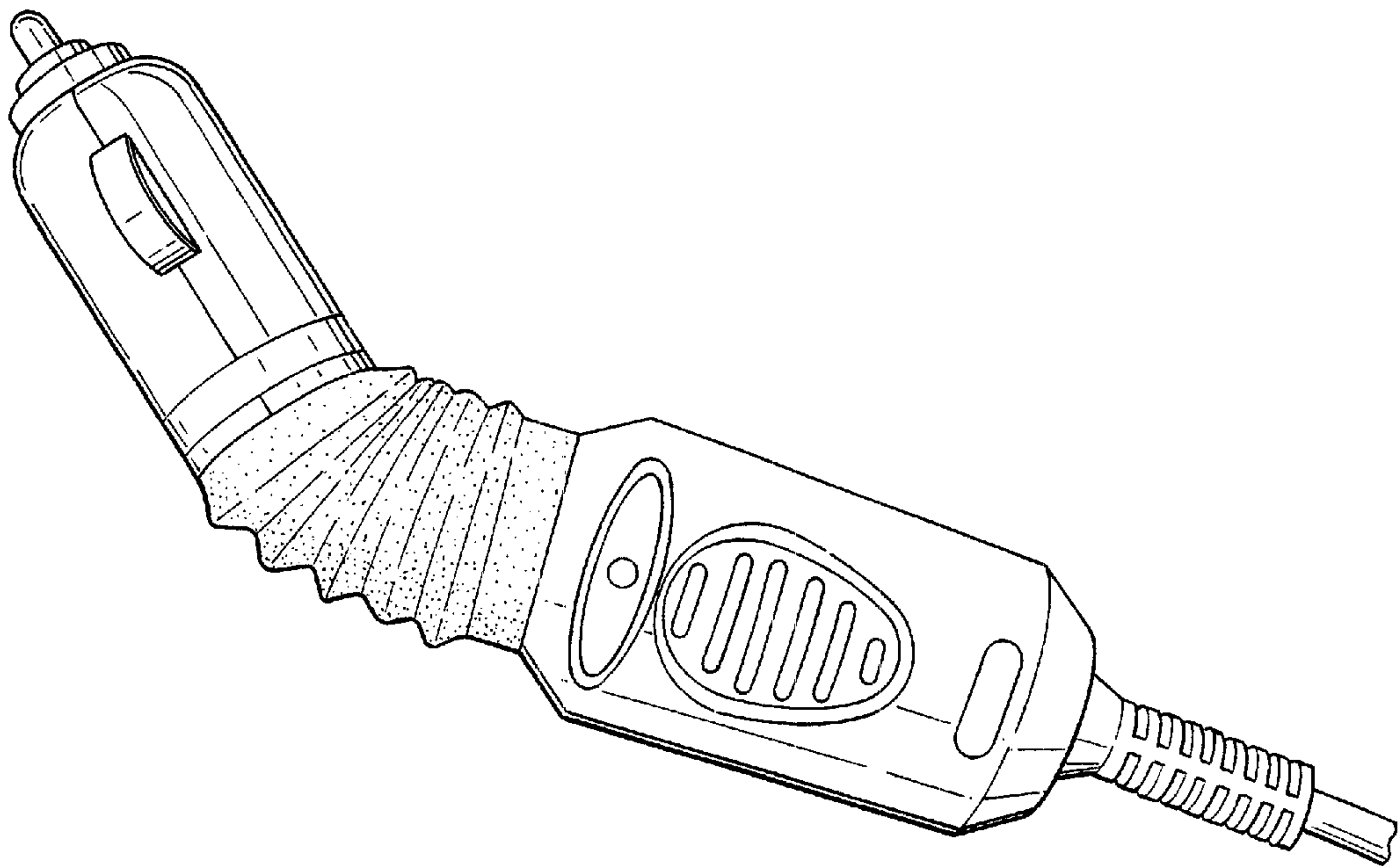


FIG-2

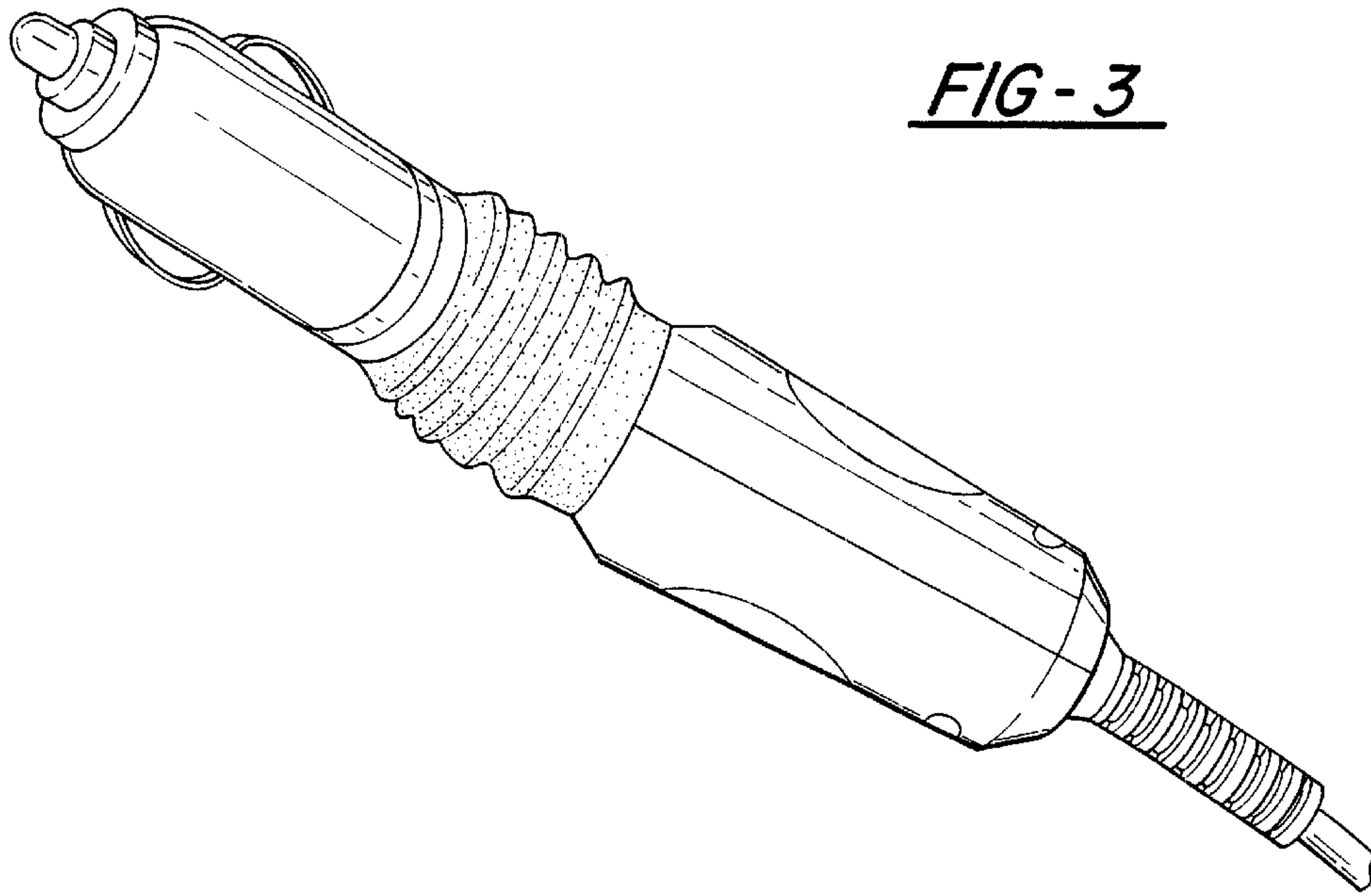


FIG-3

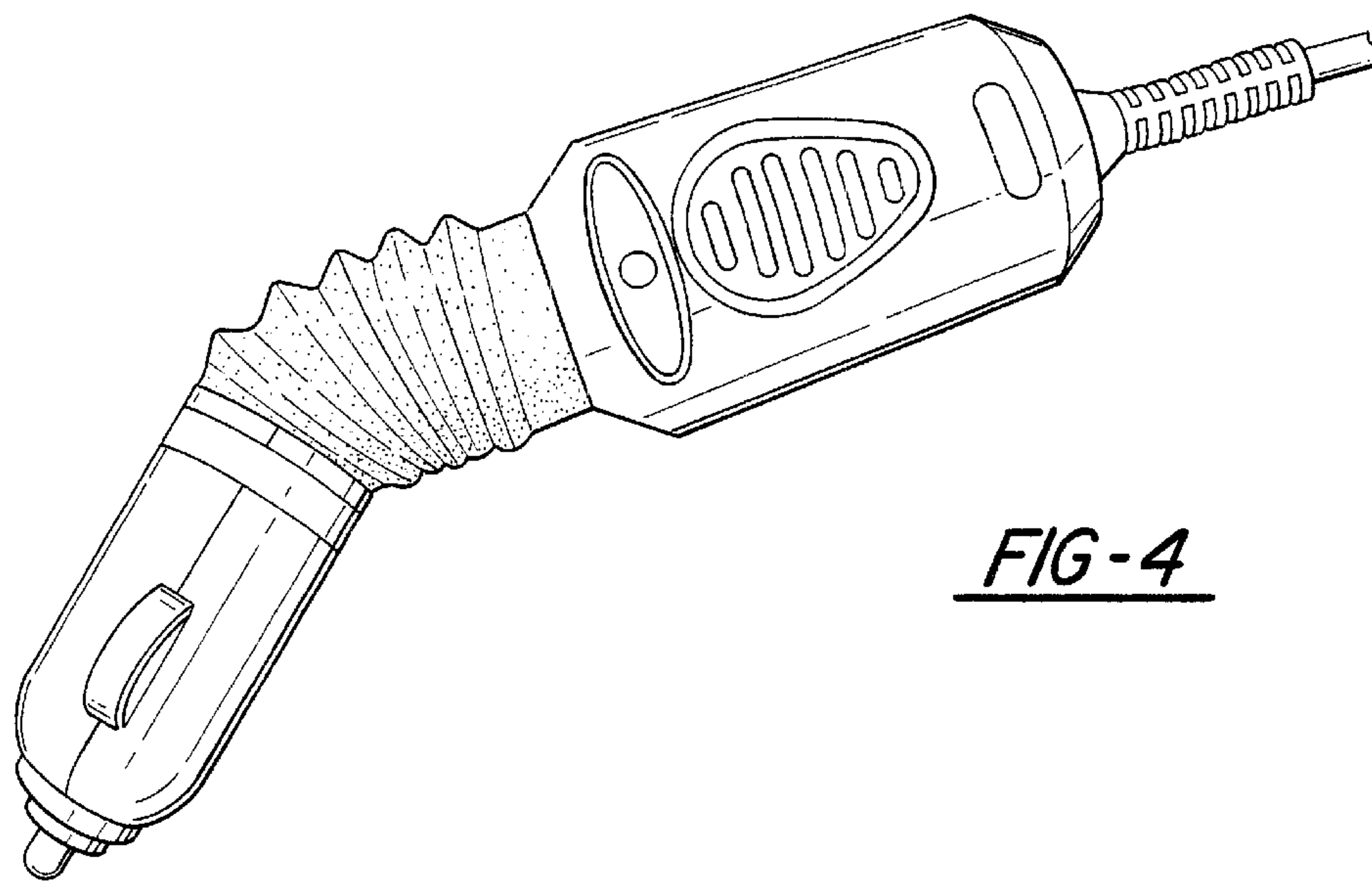


FIG-4

FIG - 5

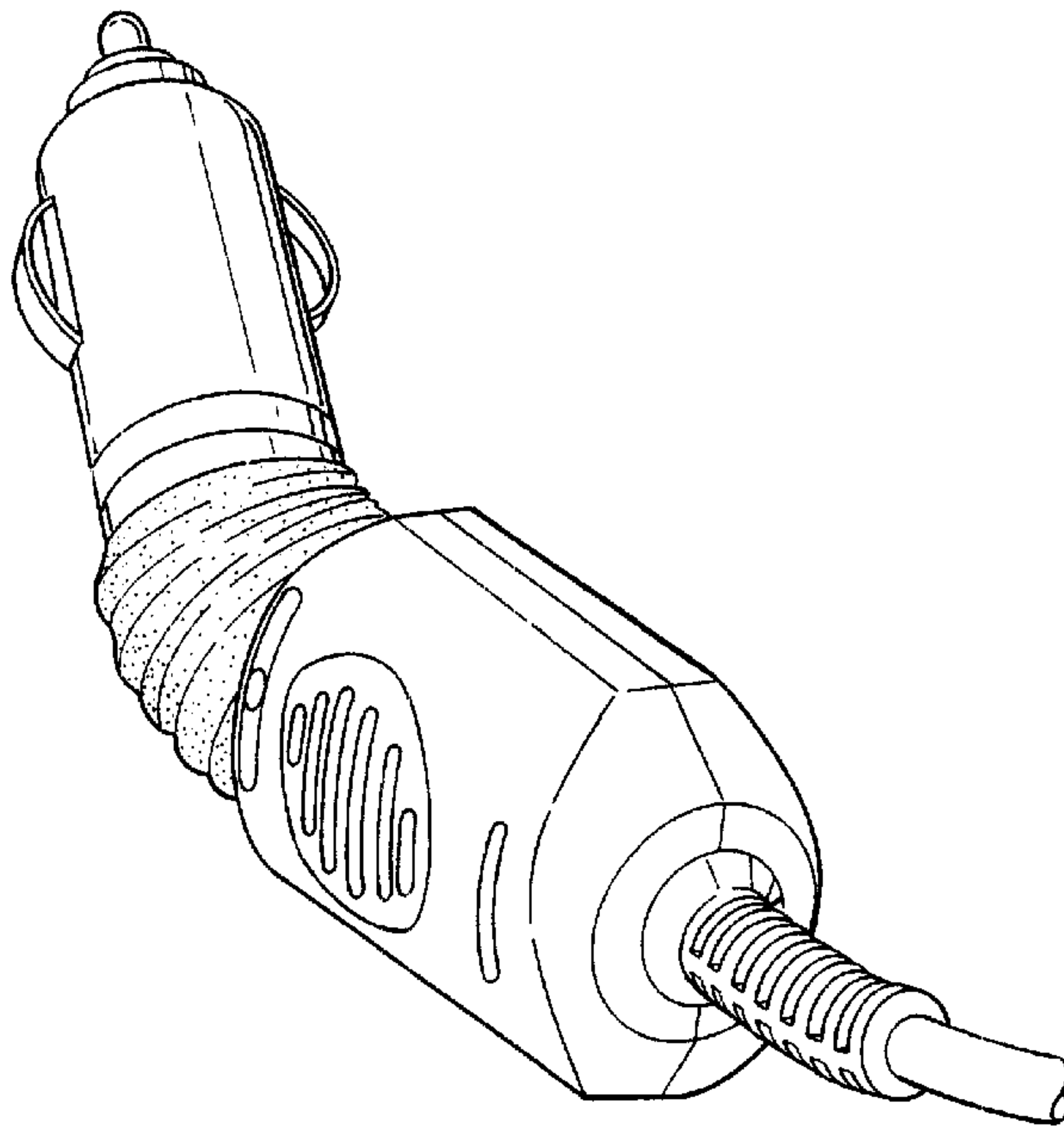


FIG - 6

