



US00D463366S

(12) **United States Design Patent**
MacKay

(10) **Patent No.:** **US D463,366 S**

(45) **Date of Patent:** **** Sep. 24, 2002**

(54) **STRAIGHT BLADE SAFETY PLUG**

(75) **Inventor:** **Peter MacKay, Warwick, RI (US)**

(73) **Assignee:** **Tower Manufacturing Corporation,**
Providence, RI (US)

(**) **Term:** **14 Years**

(21) **Appl. No.:** **29/144,140**

(22) **Filed:** **Jun. 27, 2001**

(51) **LOC (7) Cl. 13-03**

(52) **U.S. Cl. D13/138.1**

(58) **Field of Search** D13/137.1, 137.2,
D13/137.3, 137.4, 138.1, 138.2, 139.1-139.8,
154, 155, 160, 173, 184; 174/53, 66, 67;
337/197, 198; 361/42, 641, 658; 439/135,
136, 137, 140, 141, 152, 160, 164, 446,
477, 484, 692-695, 736

(56) **References Cited**

U.S. PATENT DOCUMENTS

2,538,296 A * 1/1951 Crocker 439/172
D257,036 S * 9/1980 Smith et al. D13/138.1

D266,559 S * 10/1982 Gibbs D13/138.1
D374,657 S * 10/1996 Beranek D13/138.1
5,655,925 A * 8/1997 Pon 439/395
D391,922 S 3/1998 Aromin
5,943,199 A 8/1999 Aromin
6,122,155 A 9/2000 Aromin et al.

* cited by examiner

Primary Examiner—Robert M. Spear

(74) *Attorney, Agent, or Firm*—Kriegsman & Kriegsman

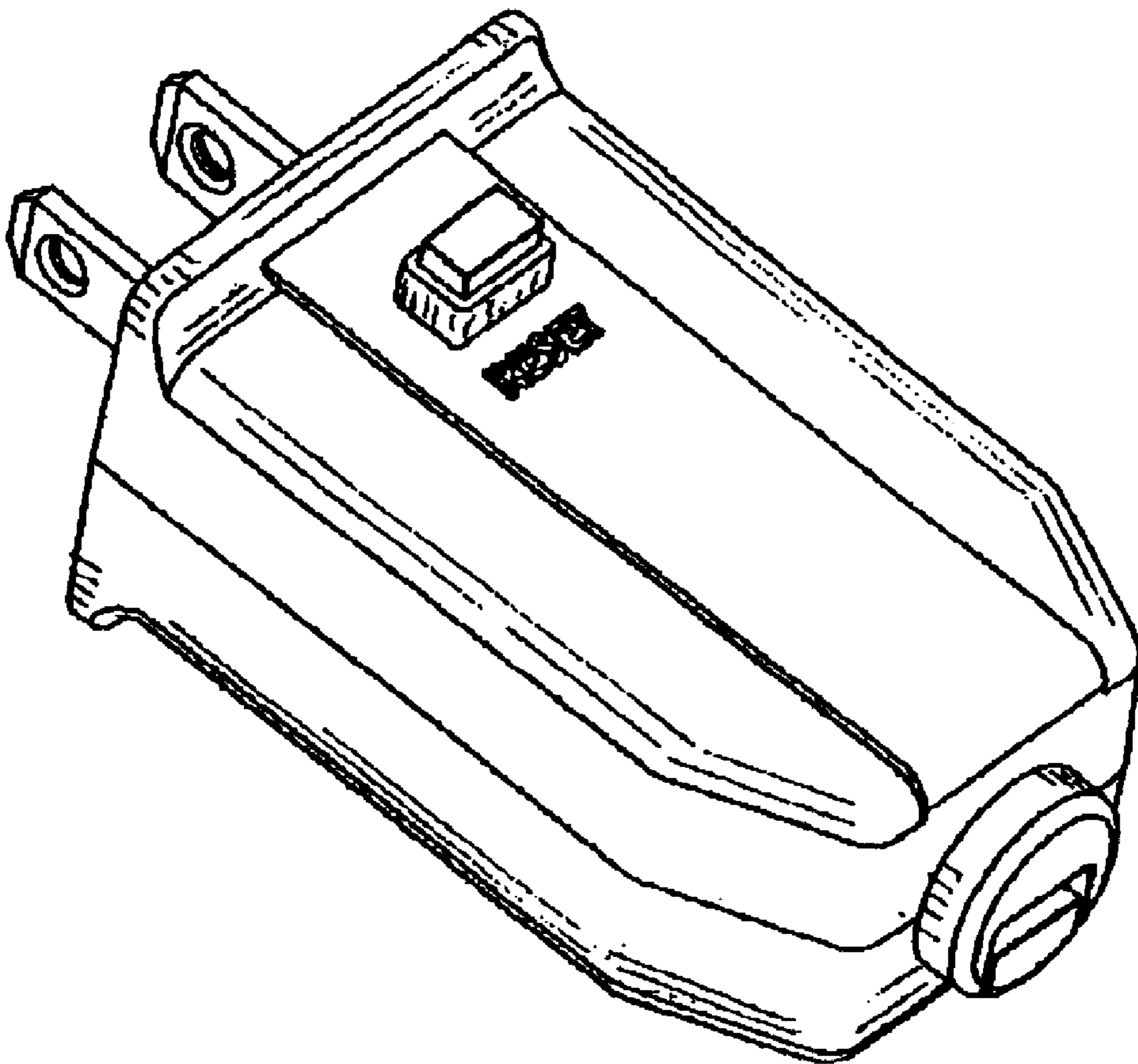
(57) **CLAIM**

The ornamental design for a straight blade safety plug, as shown and described.

DESCRIPTION

FIG. 1 is a perspective view of a straight blade safety plug showing my new design;
FIG. 2 is a top view thereof;
FIG. 3 is a bottom view thereof;
FIG. 4 is a rear elevational view thereof;
FIG. 5 is a front elevational view thereof;
FIG. 6 is a right side elevational view thereof; and,
FIG. 7 is a left side elevational view thereof.

1 Claim, 2 Drawing Sheets



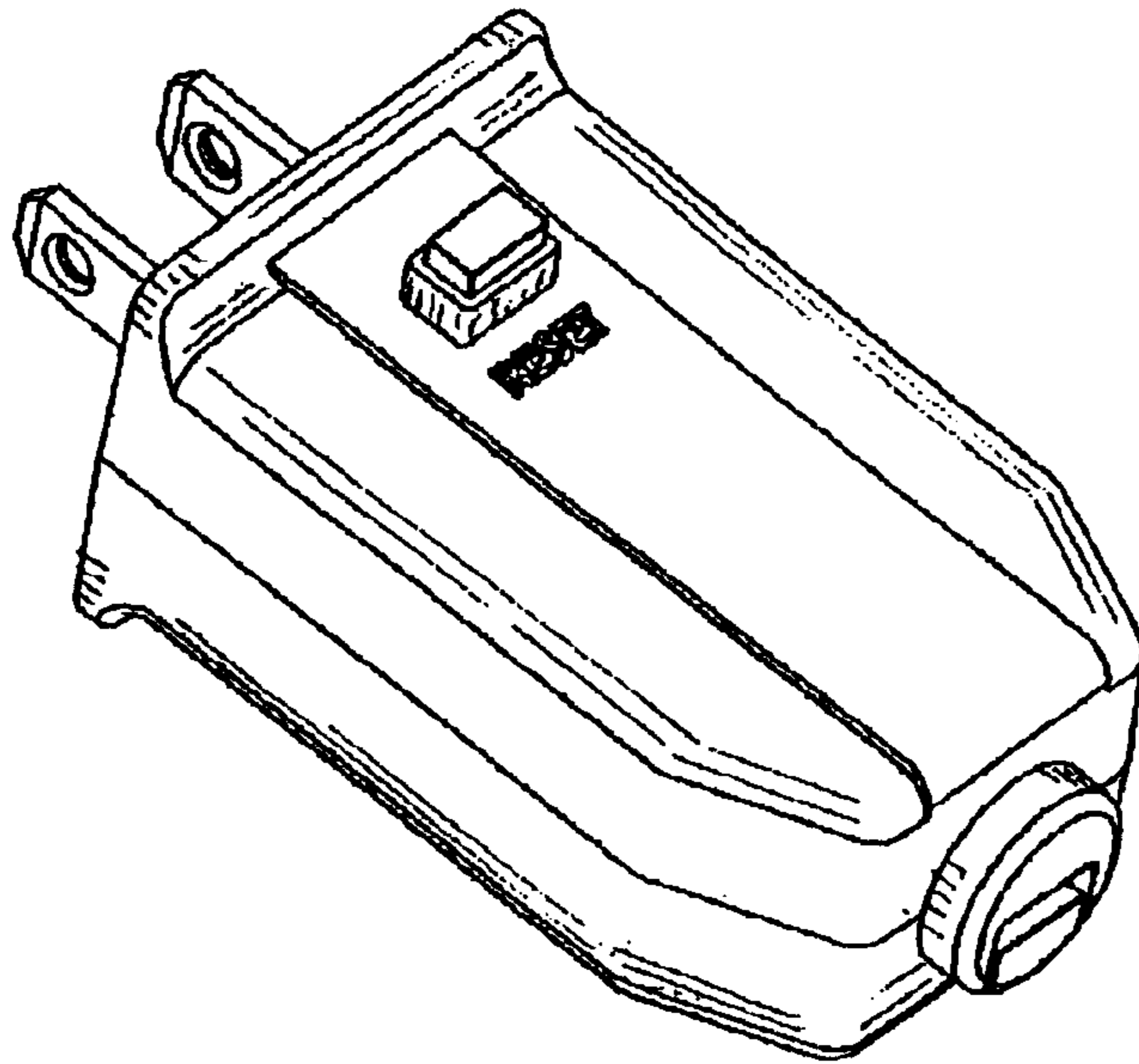


FIG. 1

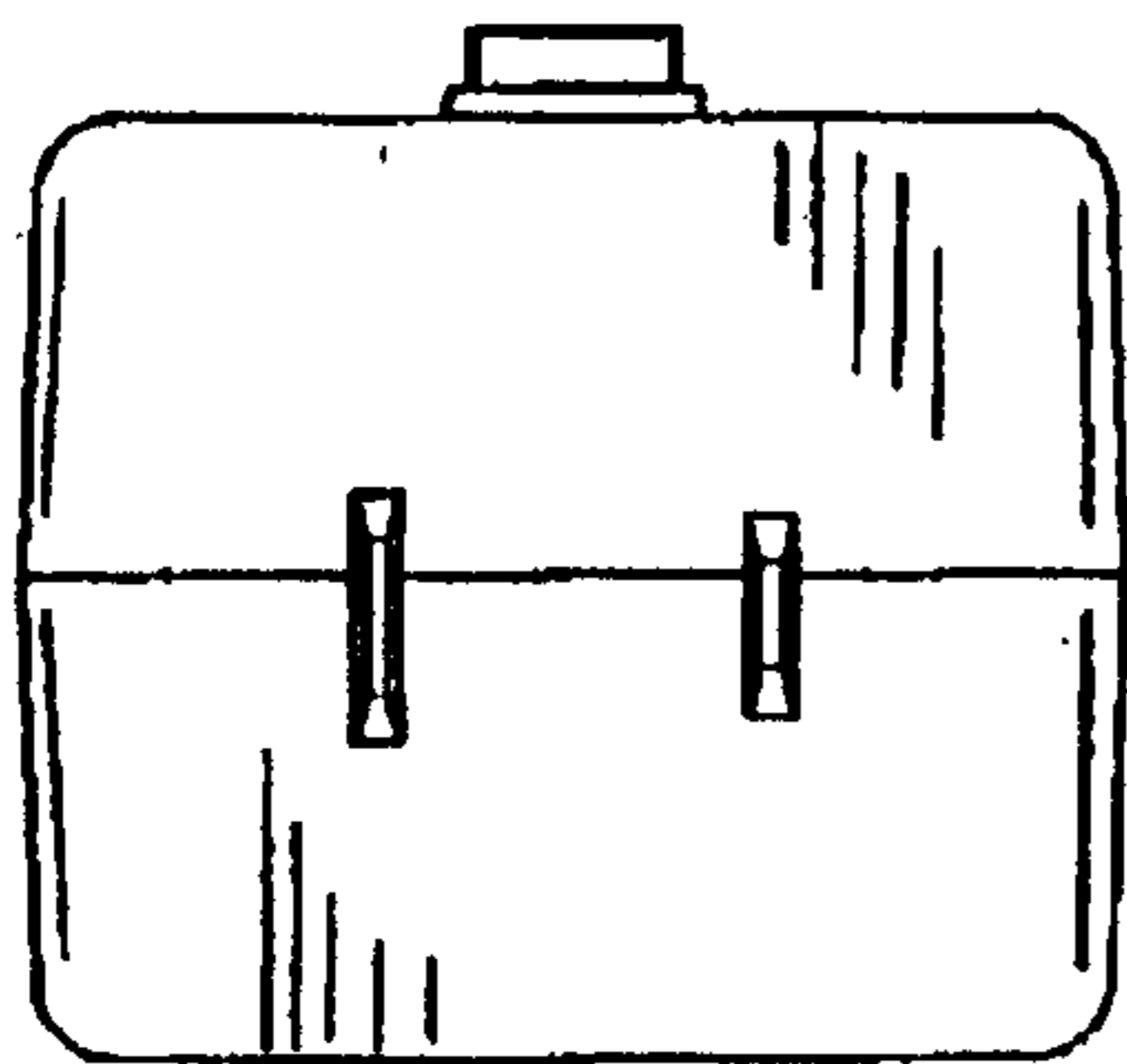


FIG. 2

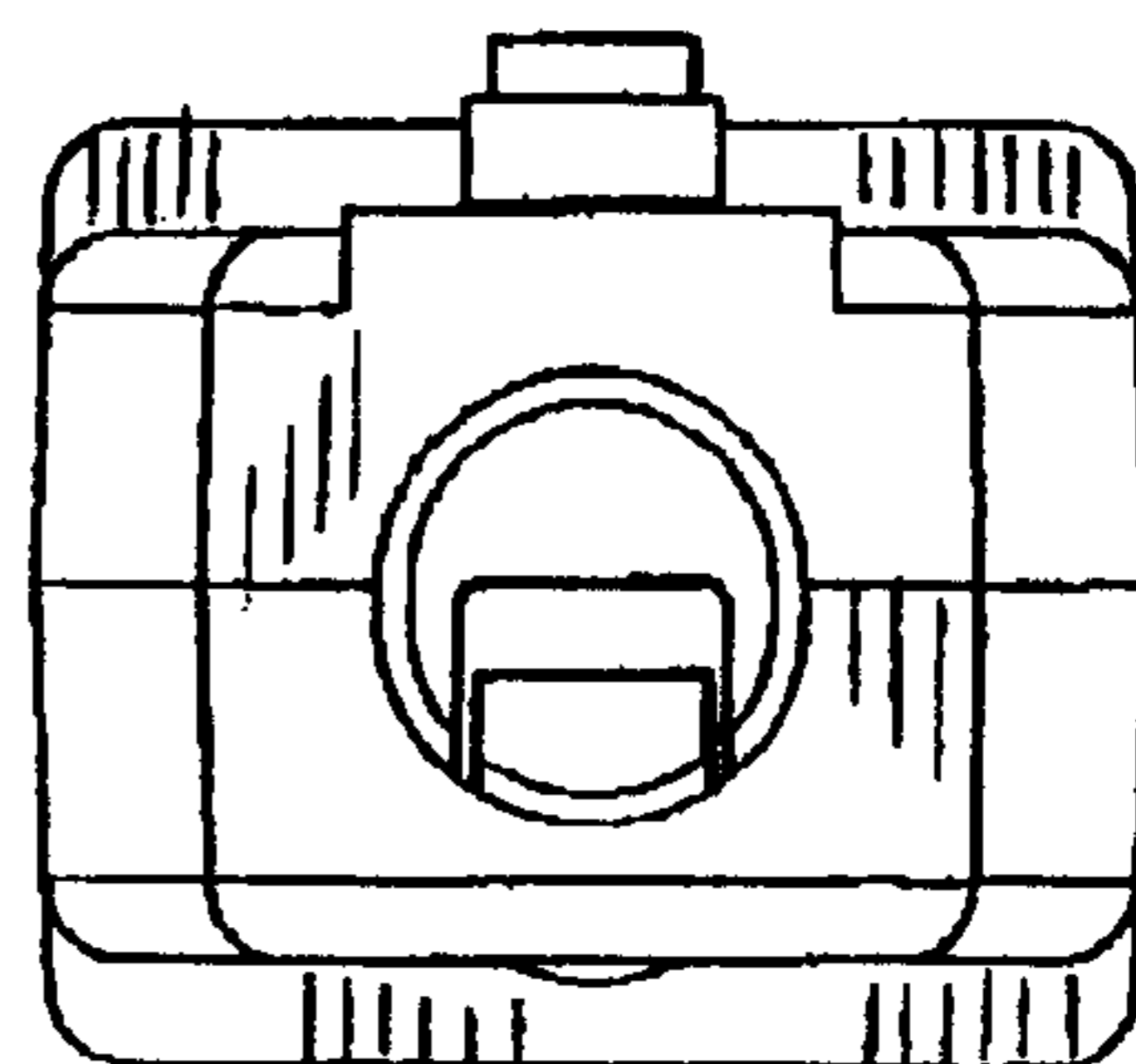


FIG. 3

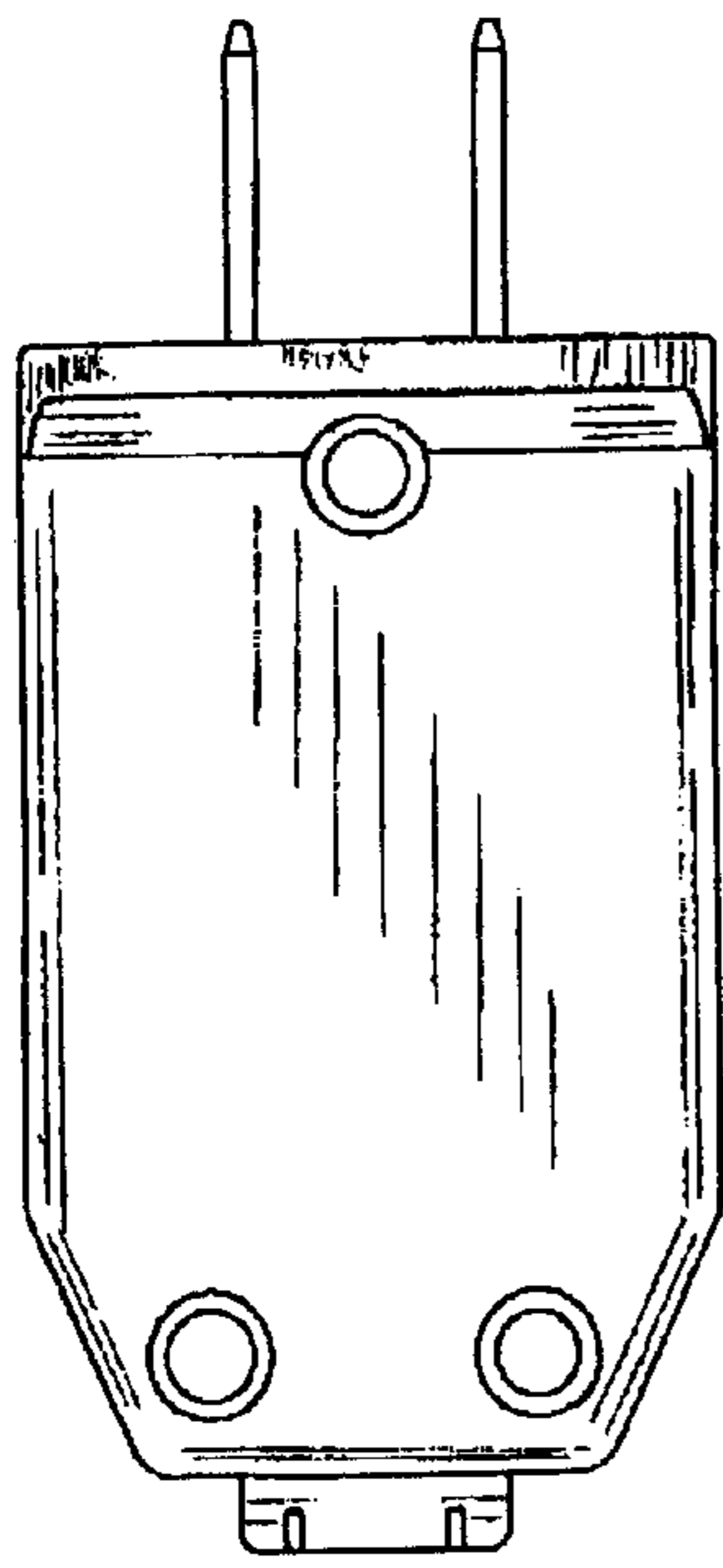


FIG. 4

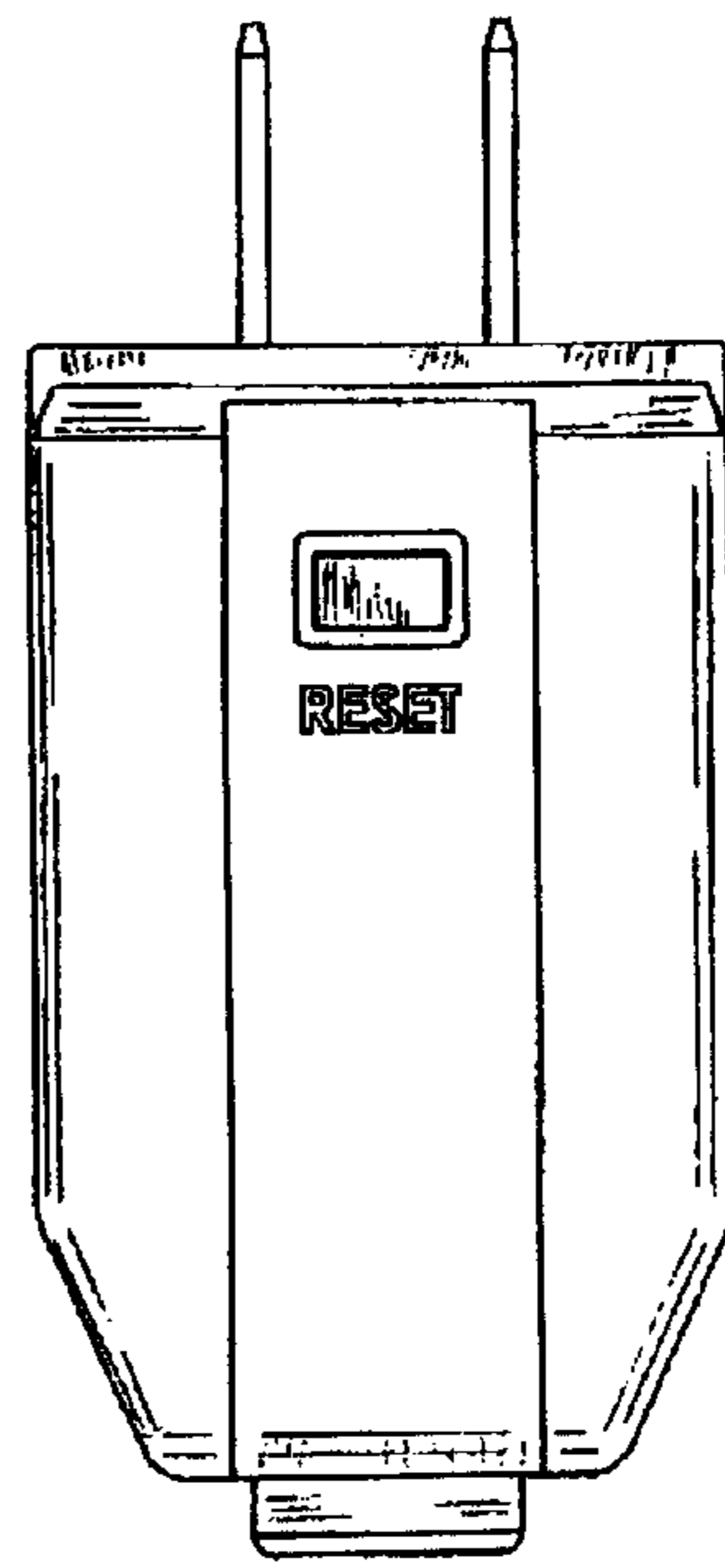


FIG. 5

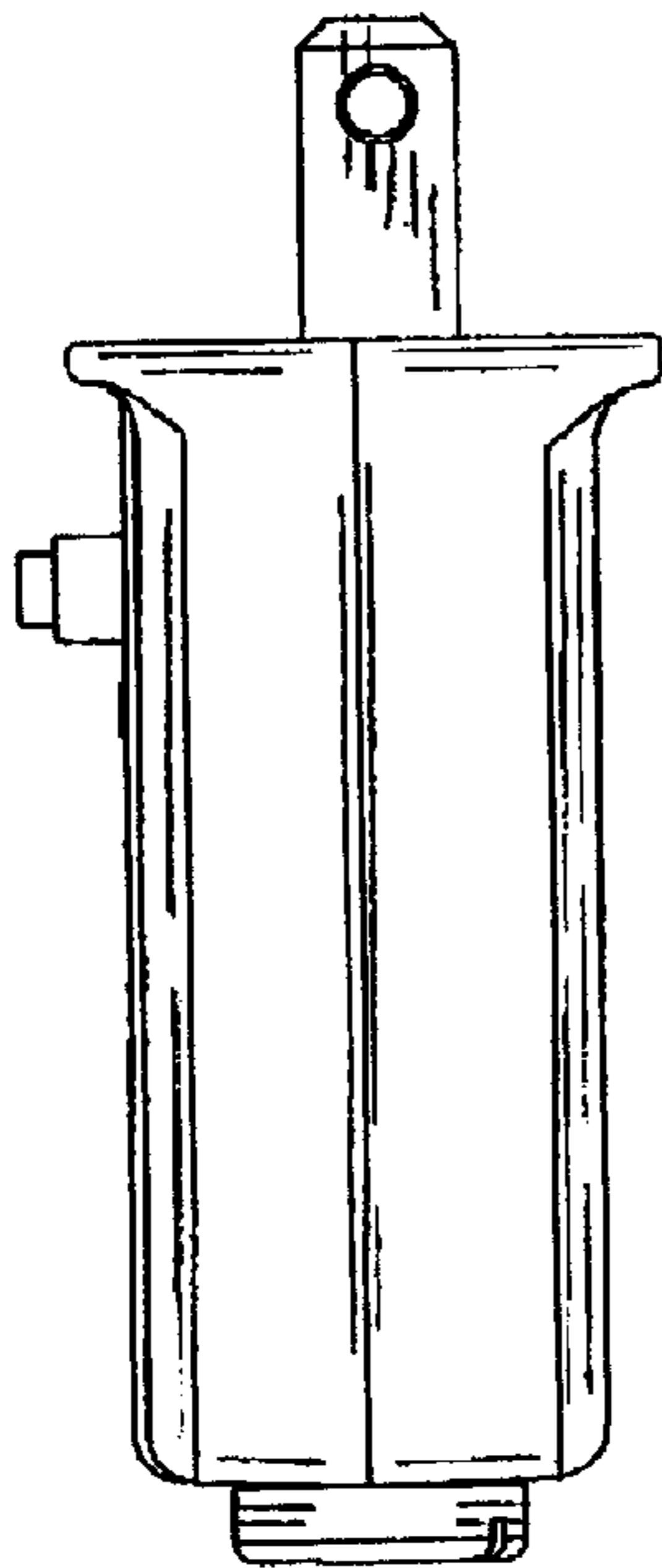


FIG. 6

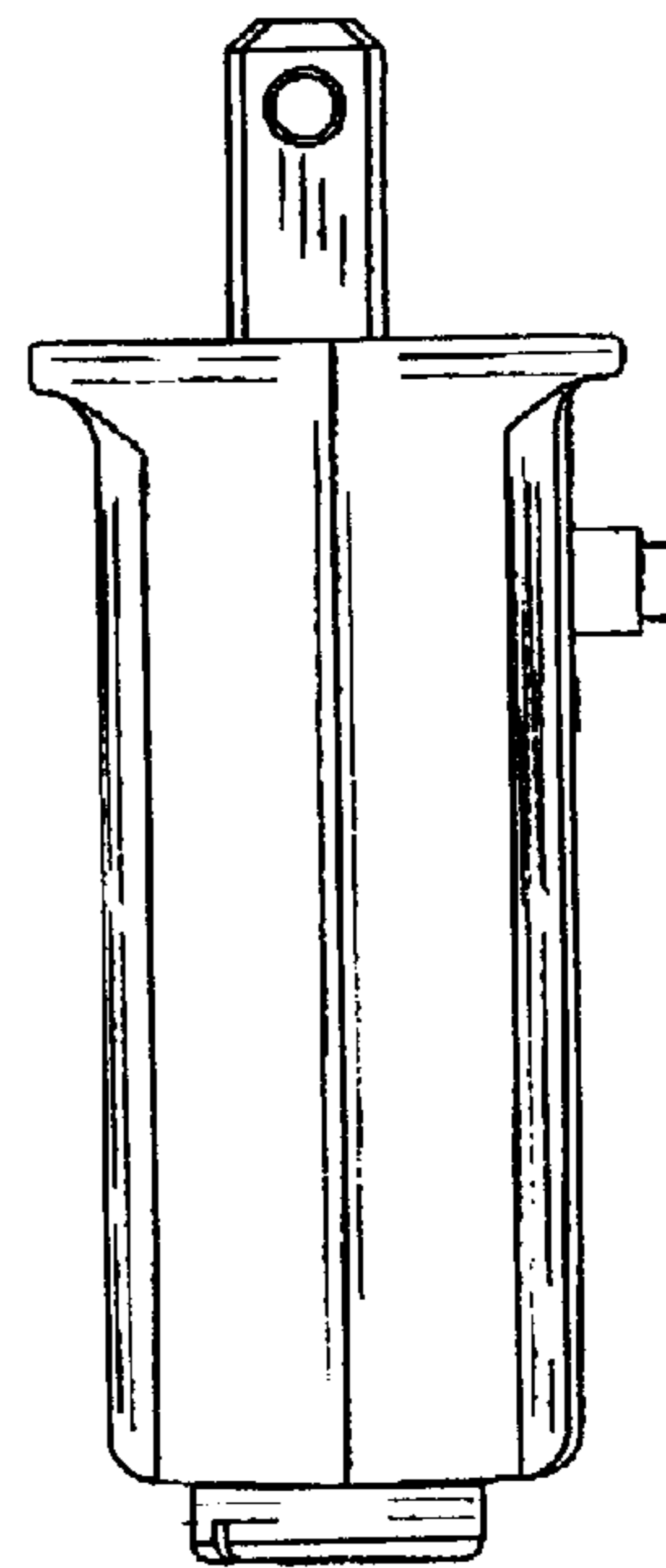


FIG. 7