



US00D463364S

(12) **United States Design Patent**  
**Arens**

(10) **Patent No.:** **US D463,364 S**

(45) **Date of Patent:** **\*\* Sep. 24, 2002**

(54) **IC-ENGINE IGNITION COIL**

(76) Inventor: **Ulf Arens**, 11305 Forestview La., San Diego, CA (US) 92131

(\*\*) Term: **14 Years**

(21) Appl. No.: **29/133,141**

(22) Filed: **Nov. 21, 2000**

(51) **LOC (7) Cl.** ..... **13-02**

(52) **U.S. Cl.** ..... **D13/117**

(58) **Field of Search** ..... **D13/117; D15/5;**  
**123/634; 336/178**

(56) **References Cited**

**U.S. PATENT DOCUMENTS**

4,099,510	A	*	7/1978	Perrier et al.	.....	123/634
4,951,641	A	*	8/1990	Takaishi et al.	.....	123/634 X
4,962,361	A	*	10/1990	Ida	.....	336/90
5,463,999	A	*	11/1995	Taruya et al.	.....	123/647
5,615,659	A	*	4/1997	Morita et al.	.....	123/634
D395,658	S	*	6/1998	Arens	.....	D15/5

\* cited by examiner

*Primary Examiner*—Joel Sincavage

(74) *Attorney, Agent, or Firm*—Knobbe, Martens, Olson & Bear, LLP

(57) **CLAIM**

The ornamental design for an IC-engine ignition coil, as shown and described.

**DESCRIPTION**

FIG. 1 is a front perspective view of the IC-engine ignition coil of the present invention;

FIG. 2 is a rear perspective view thereof;

FIG. 3 is a front elevational view thereof;

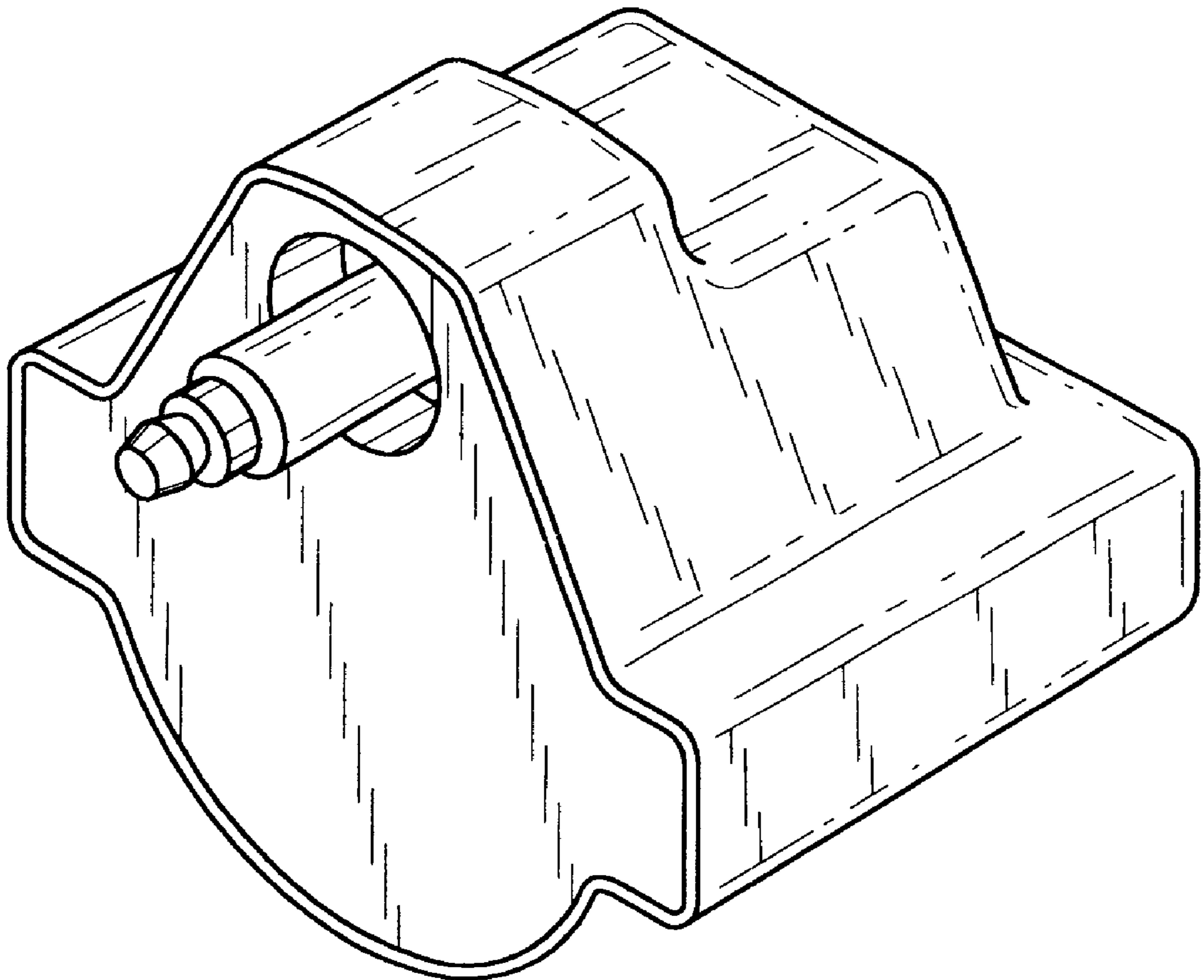
FIG. 4 is a right side elevational view thereof, the left side elevational view being a mirror image thereof;

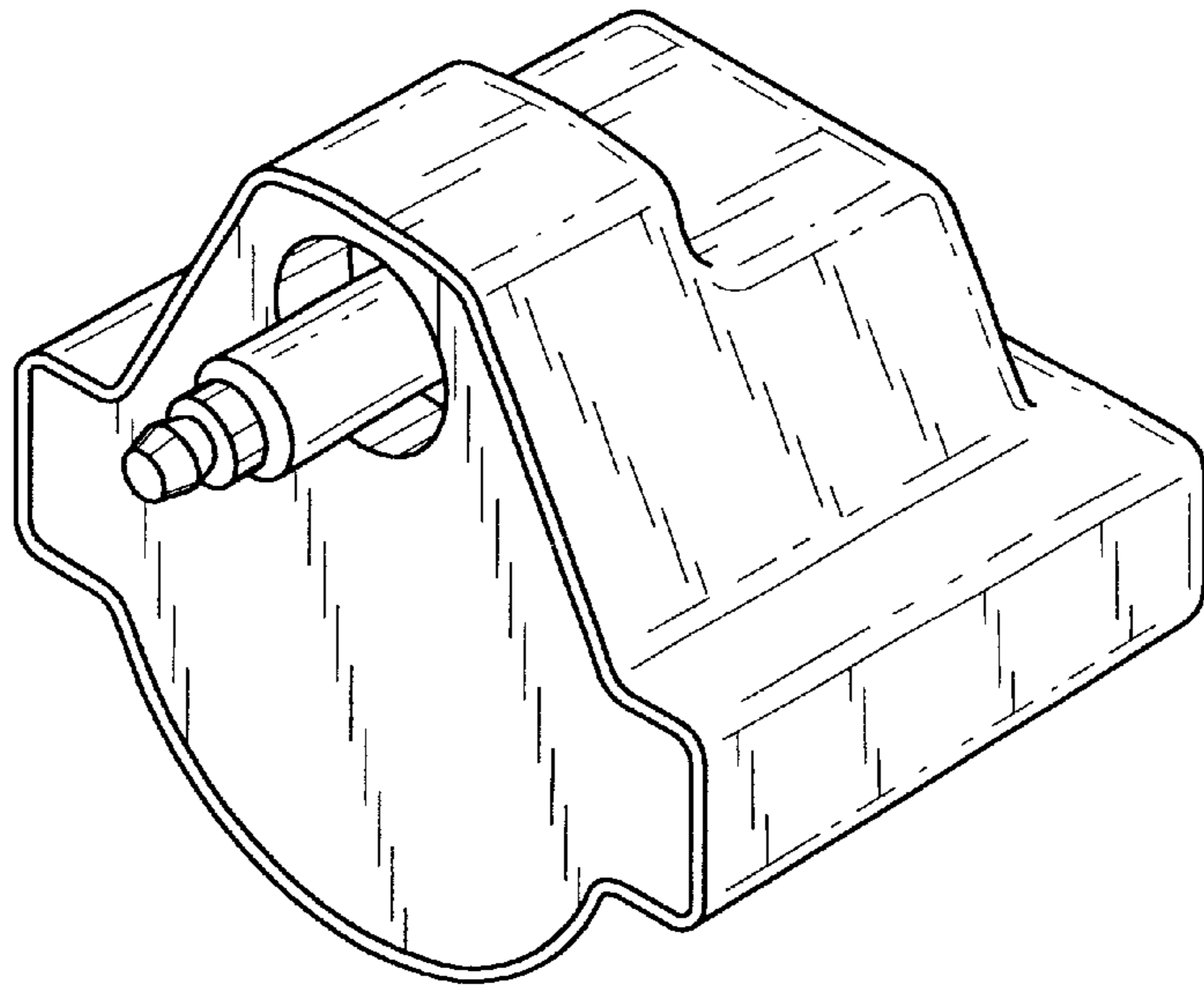
FIG. 5 is a rear elevational view thereof;

FIG. 6 is a top plan view thereof; and,

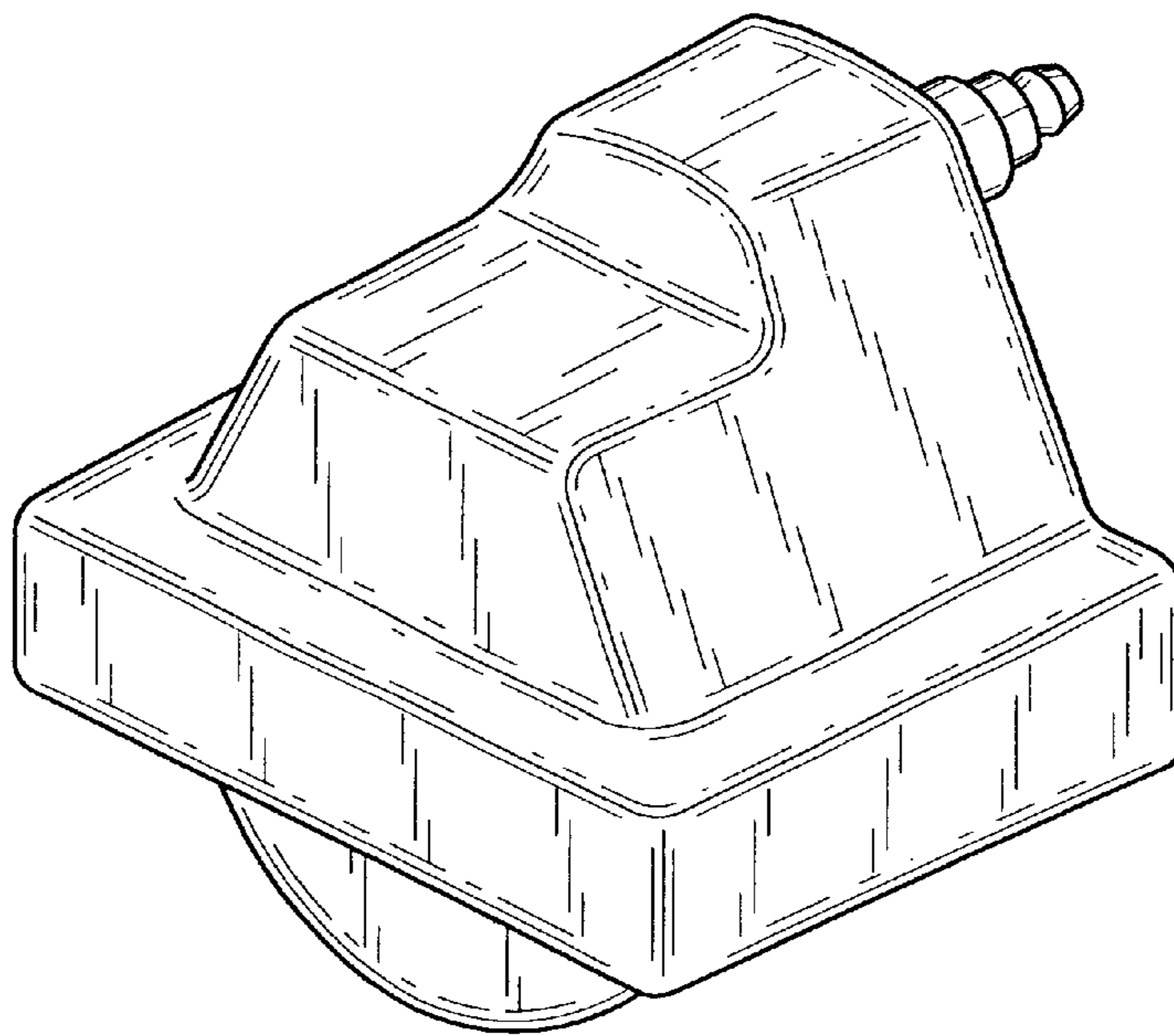
FIG. 7 is a bottom plan view thereof.

**1 Claim, 2 Drawing Sheets**





*FIG. 1*



*FIG. 2*

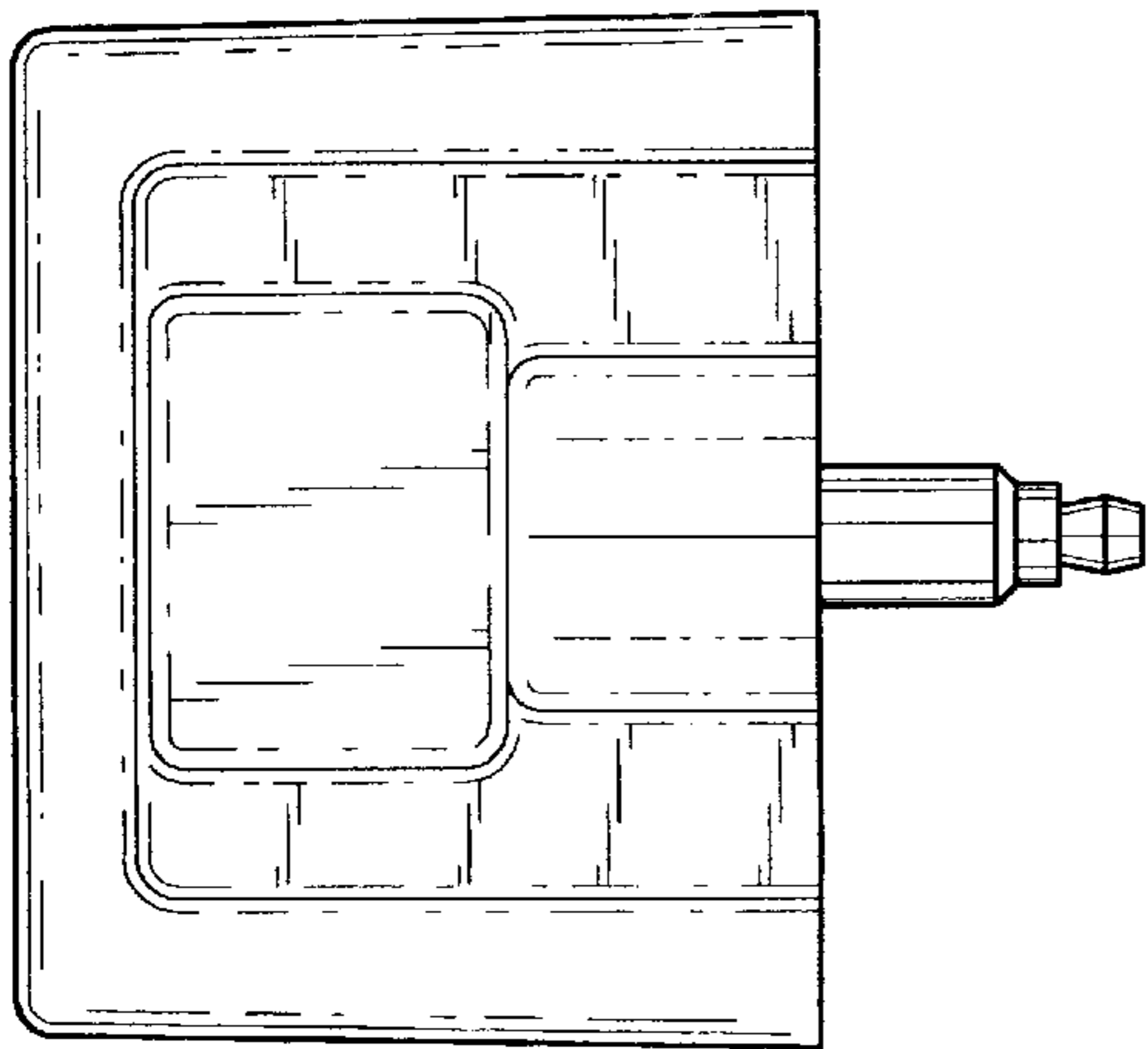


FIG. 6

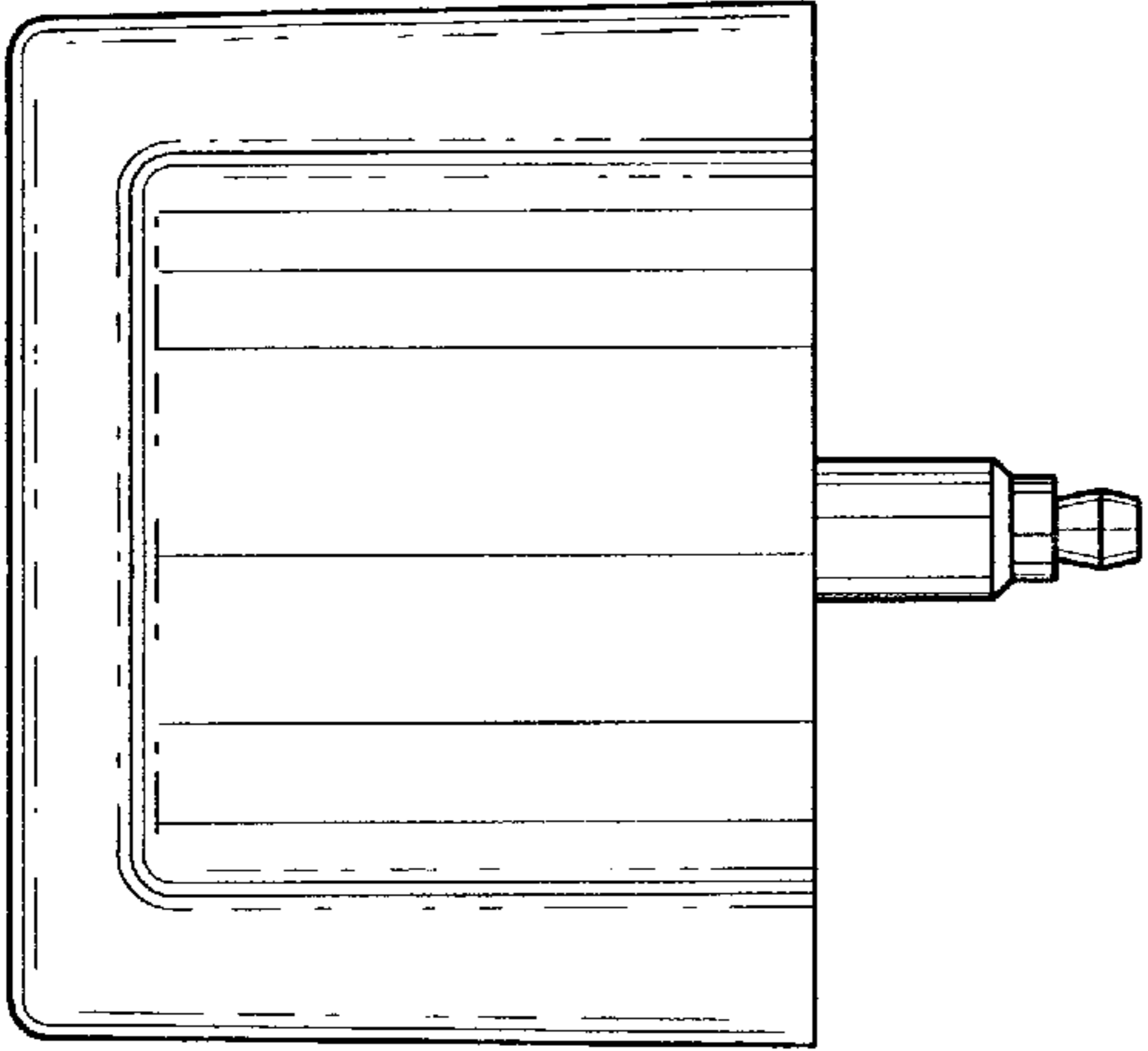


FIG. 7

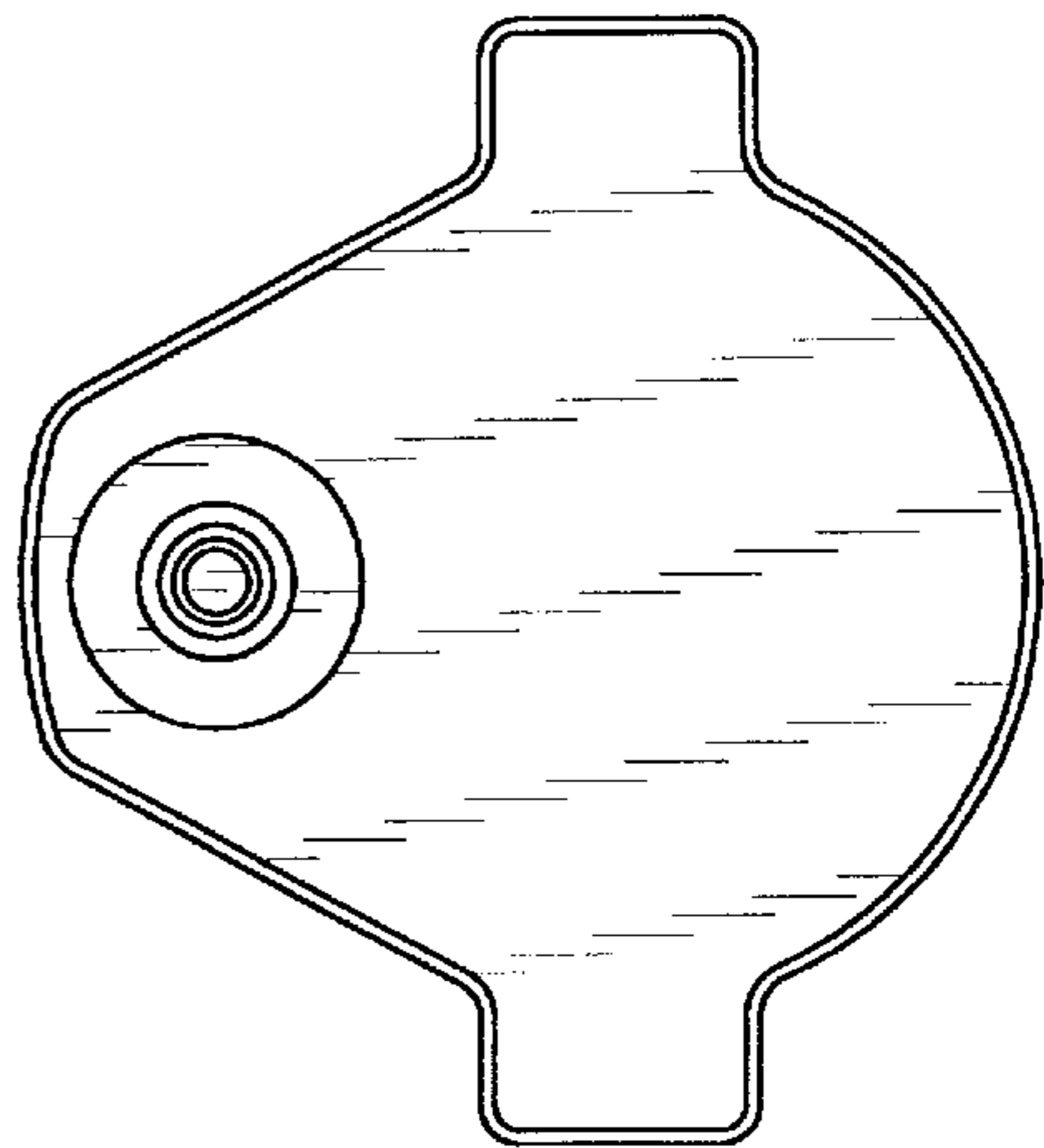


FIG. 3

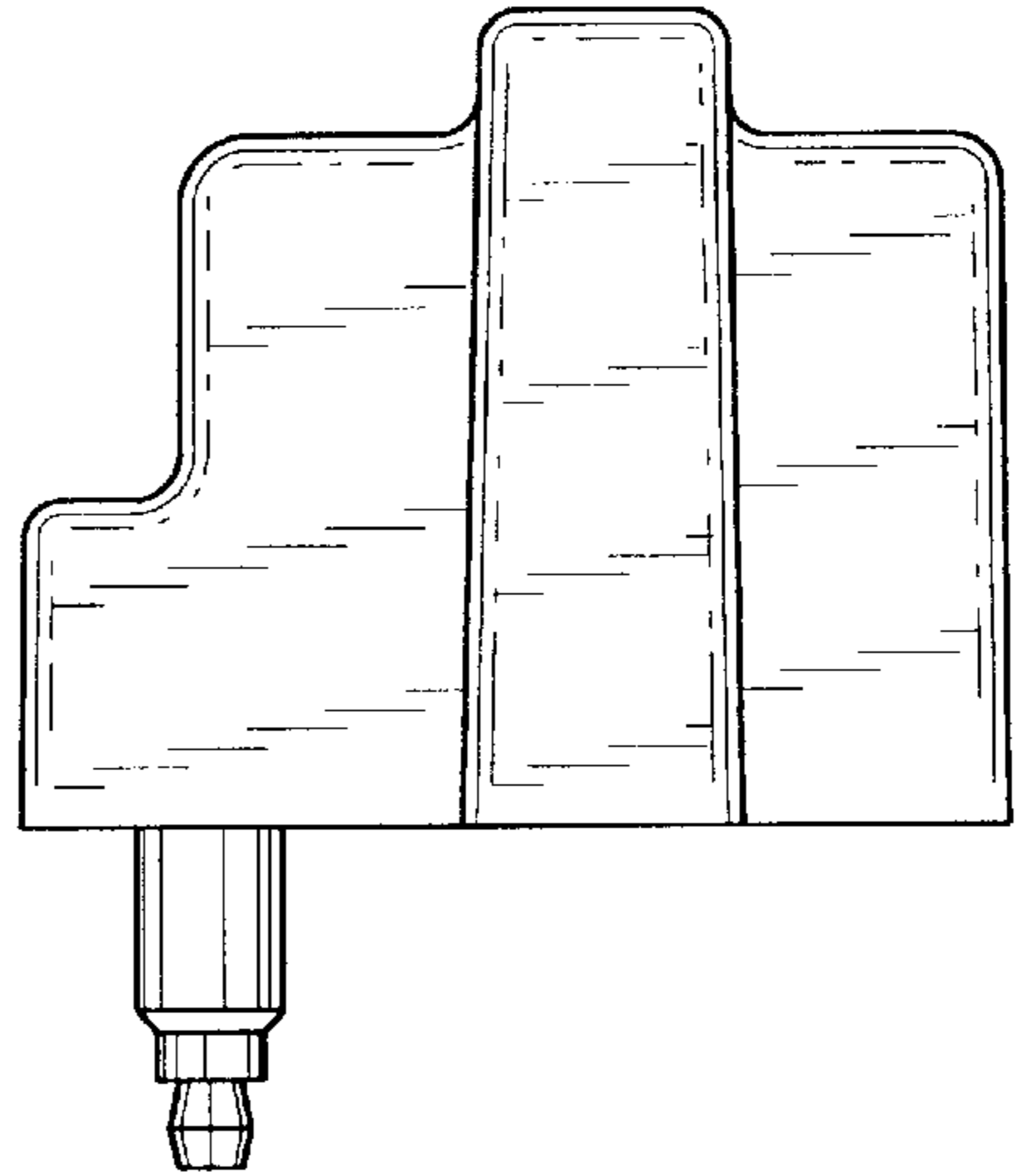


FIG. 4

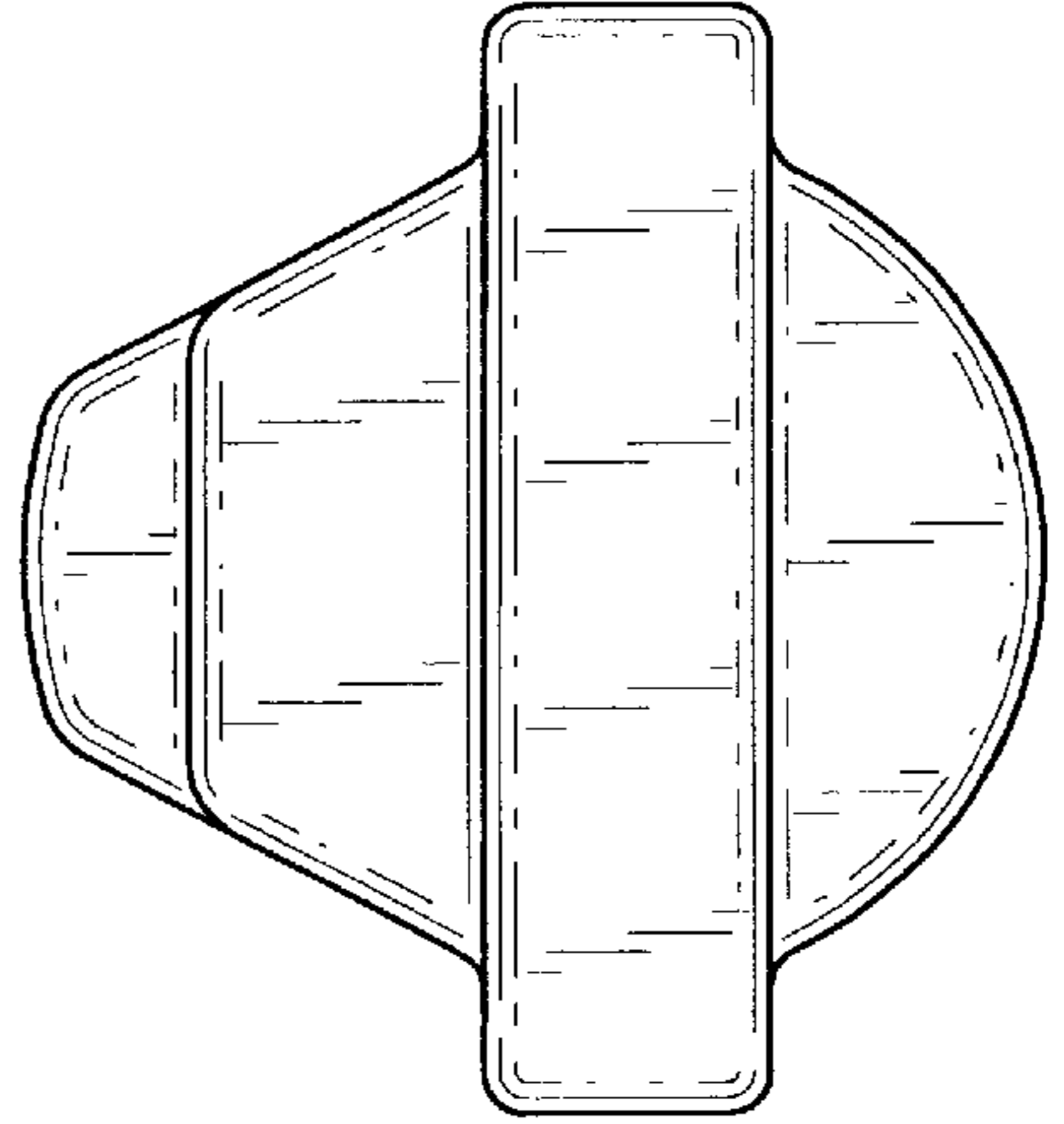


FIG. 5