



US00D463350S

(12) **United States Design Patent**
Lee

(10) **Patent No.:** **US D463,350 S**

(45) **Date of Patent:** **** Sep. 24, 2002**

(54) **WHEEL FACE**

(75) Inventor: **Joon Yup Lee**, Harbor City, CA (US)

(73) Assignee: **KOKY Wheels U.S.A., Inc.**, Carson, CA (US)

(**) Term: **14 Years**

(21) Appl. No.: **29/142,816**

(22) Filed: **Jun. 1, 2001**

(51) **LOC (7) Cl.** **12-16**

(52) **U.S. Cl.** **D12/211**

(58) **Field of Search** D12/204-211;
301/37.1, 64.1, 65

(56) **References Cited**

U.S. PATENT DOCUMENTS

D84,322 S	*	6/1931	Beutke et al.	D12/209
D388,047 S	*	12/1997	Pfeiffer et al.	D12/211
D403,291 S	*	12/1998	Cullen	D12/211
D407,681 S	*	4/1999	Sacco et al.	D12/209
D434,712 S	*	12/2000	Chung	D12/209
D442,532 S	*	5/2001	Chung	D12/209

D442,536 S	*	5/2001	Chung	D12/211
D447,106 S	*	8/2001	Chung	D12/209
D449,811 S	*	10/2001	Fitzgerald	D12/211
D450,289 S	*	11/2001	Chung	D12/211
D454,825 S	*	3/2002	Amatino	D12/211
D455,696 S	*	4/2002	Foose	D12/209

* cited by examiner

Primary Examiner—Stacia Cadmus

(74) *Attorney, Agent, or Firm*—Sheppard, Mullin, Richter & Hampton LLP; Oral Caglar

(57) **CLAIM**

The ornamental design for a wheel face, as shown and described.

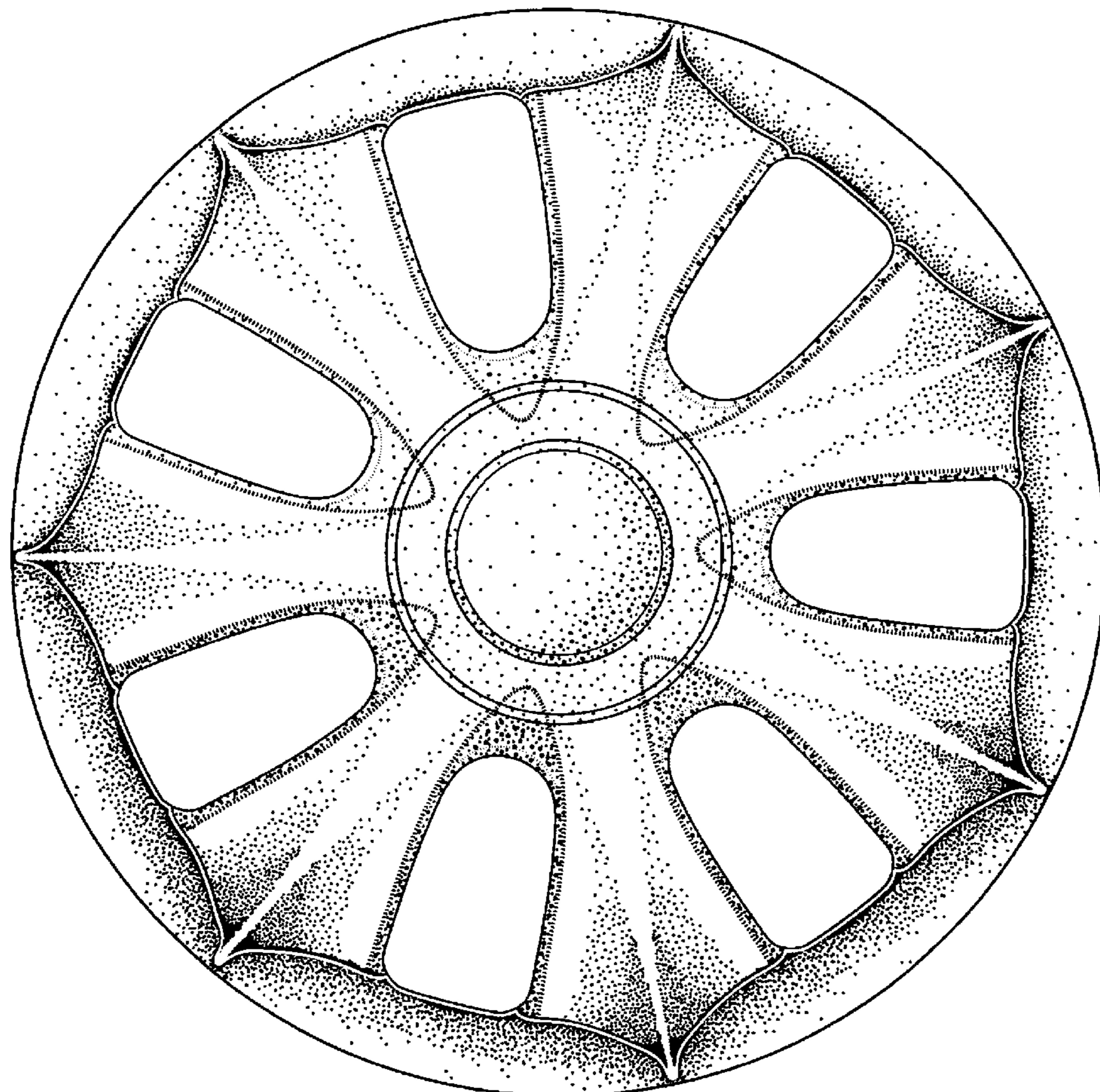
DESCRIPTION

FIG. 1 is a perspective view of a wheel face embodying the new design with the remainder of the wheel being shown in phantom lines; and,

FIG. 2 is a front side elevational view thereof.

The broken line showing of environment is for illustrative purposes only and forms no part of the claimed design.

1 Claim, 2 Drawing Sheets



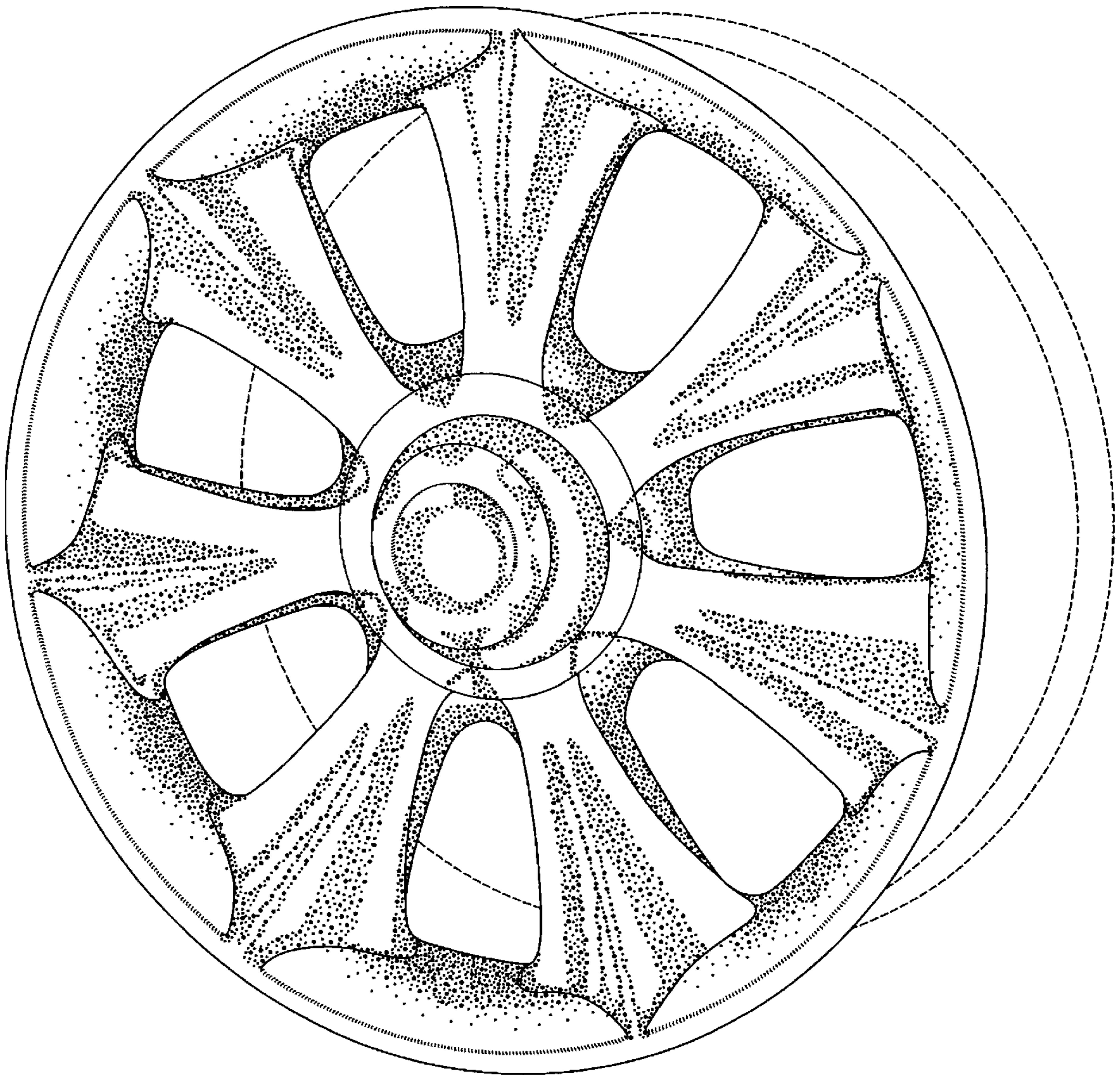


FIG. 1

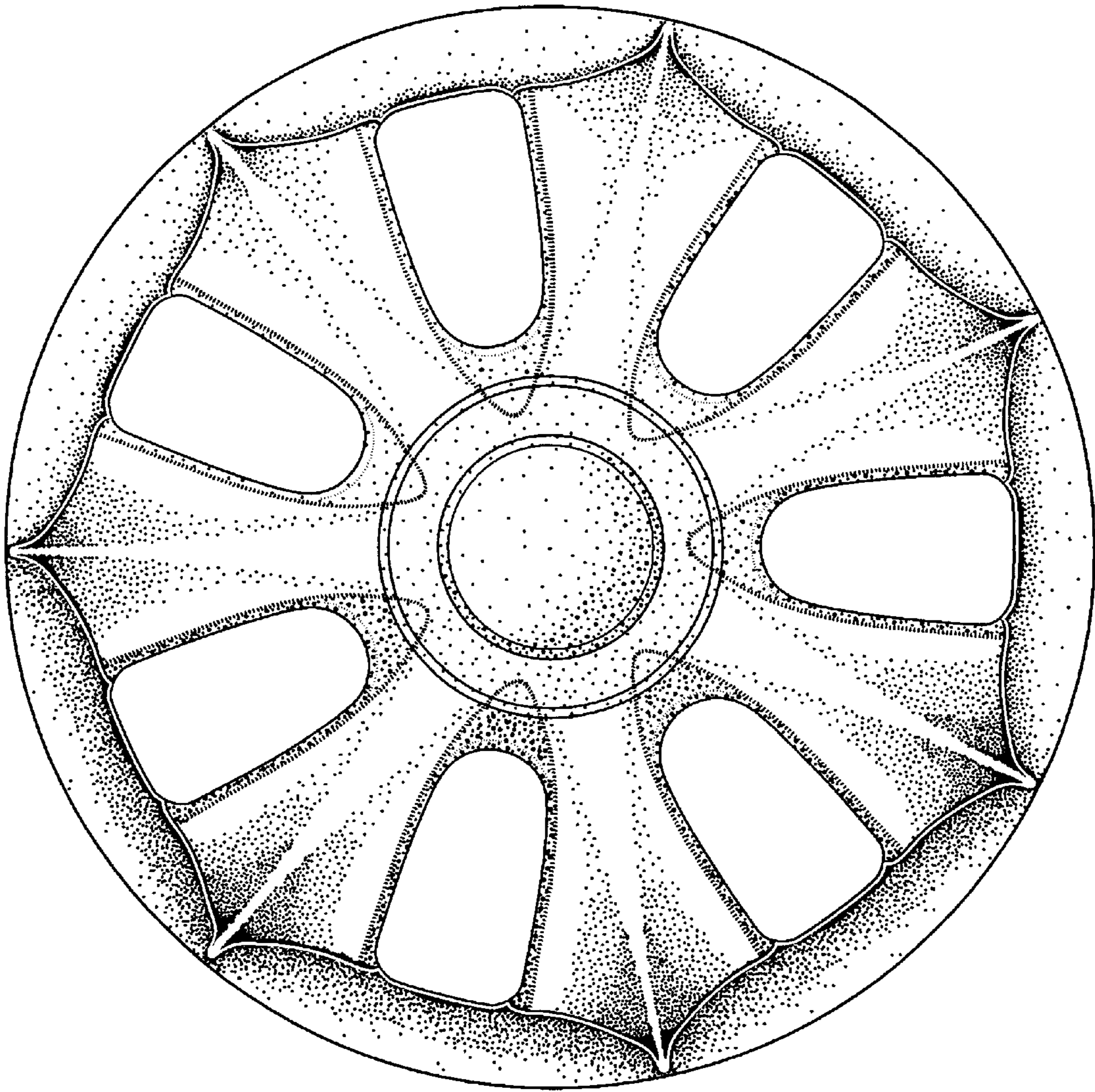


FIG. 2