



US00D463345S

(12) **United States Design Patent**
Cipolla

(10) **Patent No.:** **US D463,345 S**

(45) **Date of Patent:** **** Sep. 24, 2002**

(54) **TRAILER HITCH STEP**

(75) **Inventor:** **James Cipolla**, Little Falls, NJ (US)

(73) **Assignee:** **Elegant USA, LLC**, Totowa, NJ (US)

(**) **Term:** **14 Years**

(21) **Appl. No.:** **29/151,668**

(22) **Filed:** **Dec. 7, 2001**

(51) **LOC (7) Cl.** **12-16**

(52) **U.S. Cl.** **D12/203; D12/162**

(58) **Field of Search** **D12/203, 190,**
D12/162; 280/163, 164.1, 153.5, 848, 169,
165-166, 507, 500, 491.5; 182/90-92; 428/81-82;
238/14; 296/62

(56) **References Cited**

U.S. PATENT DOCUMENTS

D276,716 S	*	12/1984	Dignan	D12/203
D296,431 S	*	6/1988	Yont	D12/203
D315,134 S	*	3/1991	Springer	D12/203
D320,592 S	*	10/1991	Straka	D12/203
D330,536 S	*	10/1992	Holloway et al.	D12/203
D361,319 S	*	8/1995	Orth, Sr. et al.	D12/203
D370,452 S	*	6/1996	Beasley	12/203
D381,948 S	*	8/1997	Schult	D12/203
5,702,118 A		12/1997	Hanson et al.		
5,738,362 A		4/1998	Ludwick		
5,803,475 A		9/1998	Dick		
5,829,774 A		11/1998	Klemp		
5,947,506 A		9/1999	Bauer		
D415,727 S	*	10/1999	Jeffries	D12/203
6,050,579 A	*	4/2000	Selland et al.	280/163

D428,591 S	*	7/2000	Jeffries	D12/203
6,145,865 A		11/2000	Cannara et al.		
D434,711 S	*	12/2000	McQuiston	D12/203
D436,336 S	*	1/2001	Sadr	D12/203
6,170,843 B1		1/2001	Maxwell et al.		
6,237,927 B1		5/2001	Debo		
D444,754 S	*	7/2001	Storer	D12/203

* cited by examiner

Primary Examiner—Stacia Cadmus

(74) *Attorney, Agent, or Firm*—Weingram & Associates, P.C.

(57) **CLAIM**

I claim the ornamental design for a trailer hitch step, as shown and described.

DESCRIPTION

FIG. 1 is a front perspective of a trailer hitch step, showing my new design;
 FIG. 2 is a front view thereof;
 FIG. 3 is a rear view thereof;
 FIG. 4 is a right side view thereof, it being understood that the opposite is a mirror image thereof;
 FIG. 5 is a top view thereof;
 FIG. 6 is a bottom view thereof;
 FIG. 7 is a bottom plan view with the step shown in an alternate raised position; and,
 FIG. 8 is a front perspective view with step shown in an alternate raised position.
 The broken line showing of environment is for illustrative purposes only and forms no part of the claimed design.

1 Claim, 7 Drawing Sheets

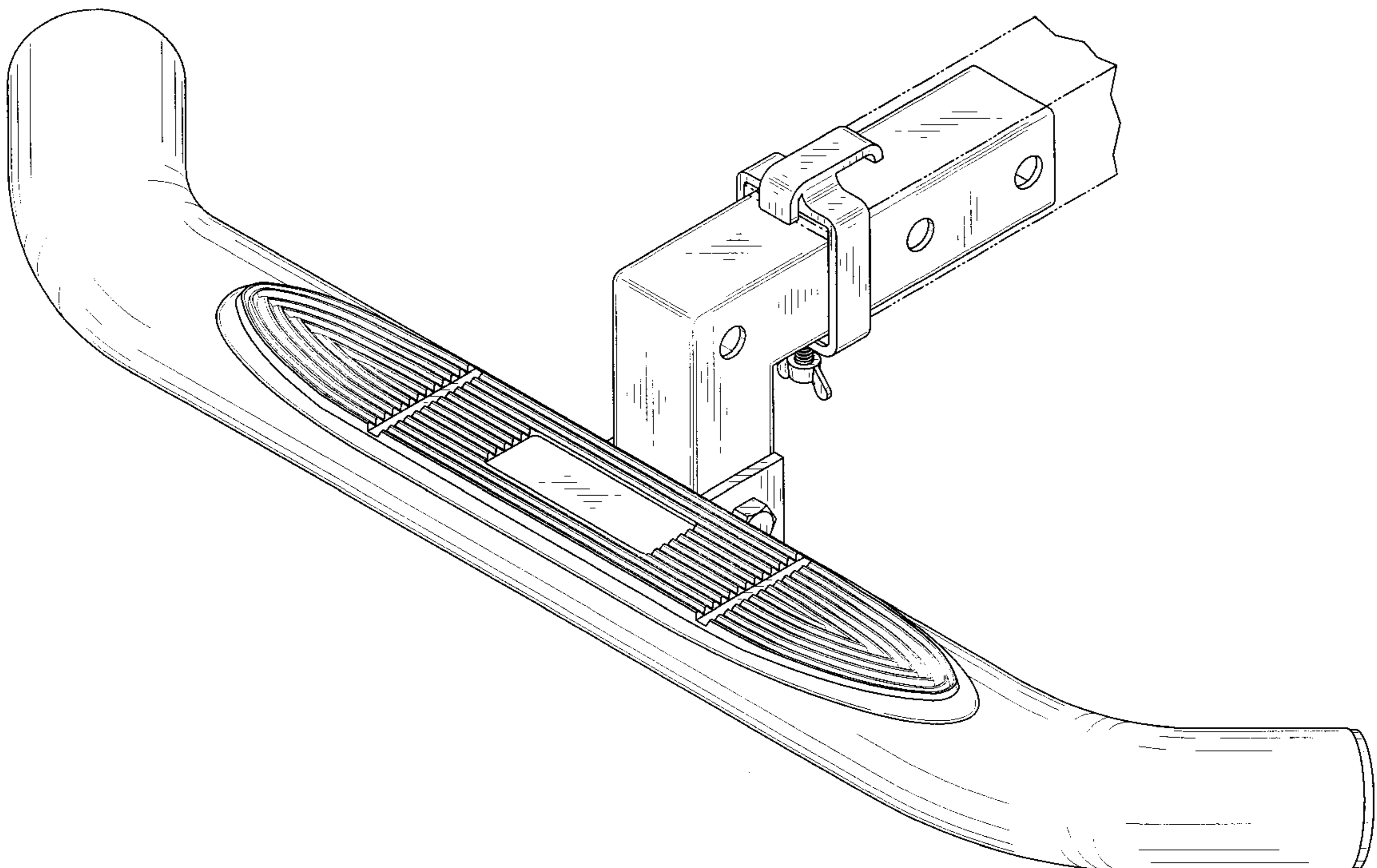


FIG. 1

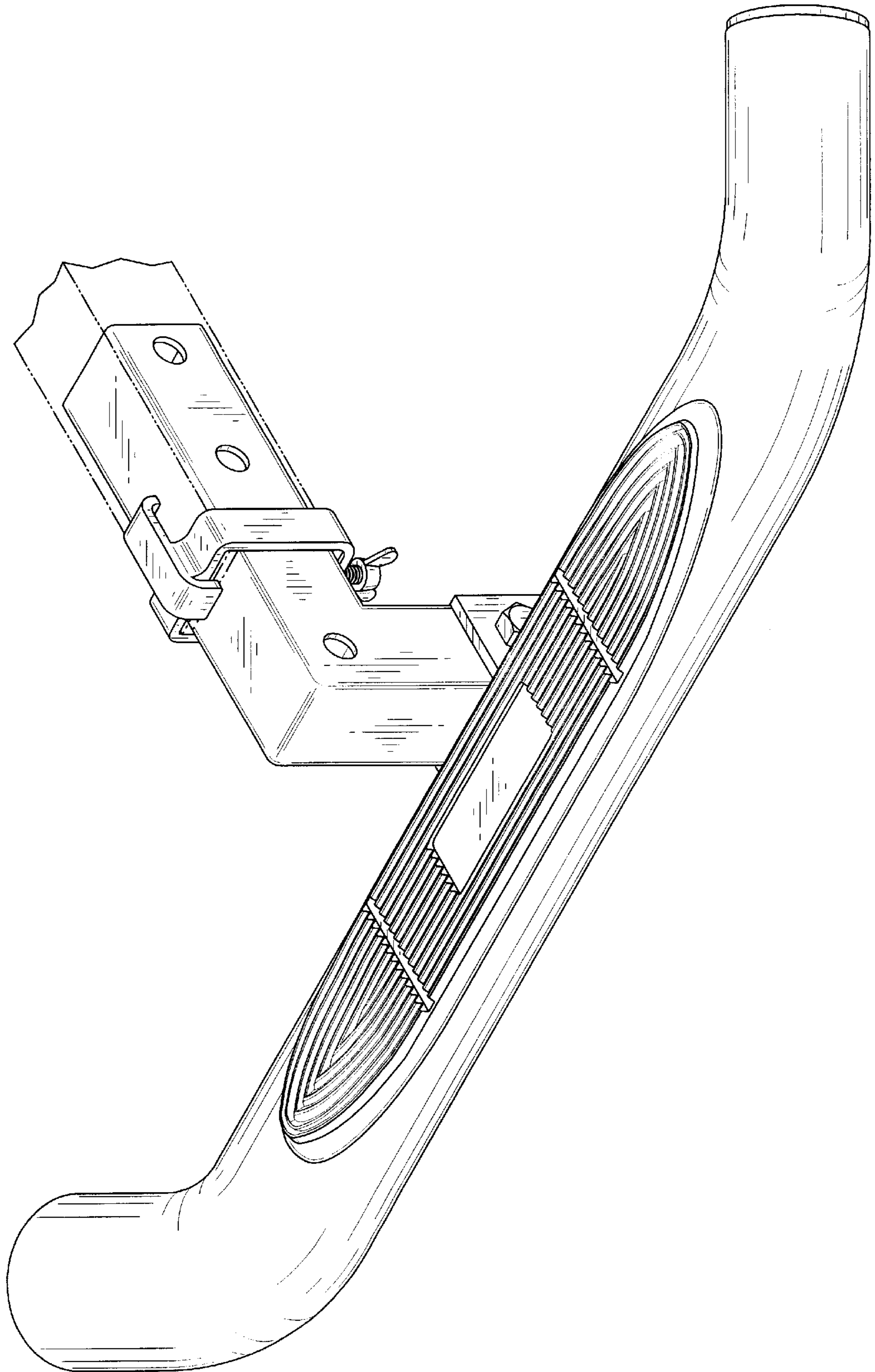


FIG. 2

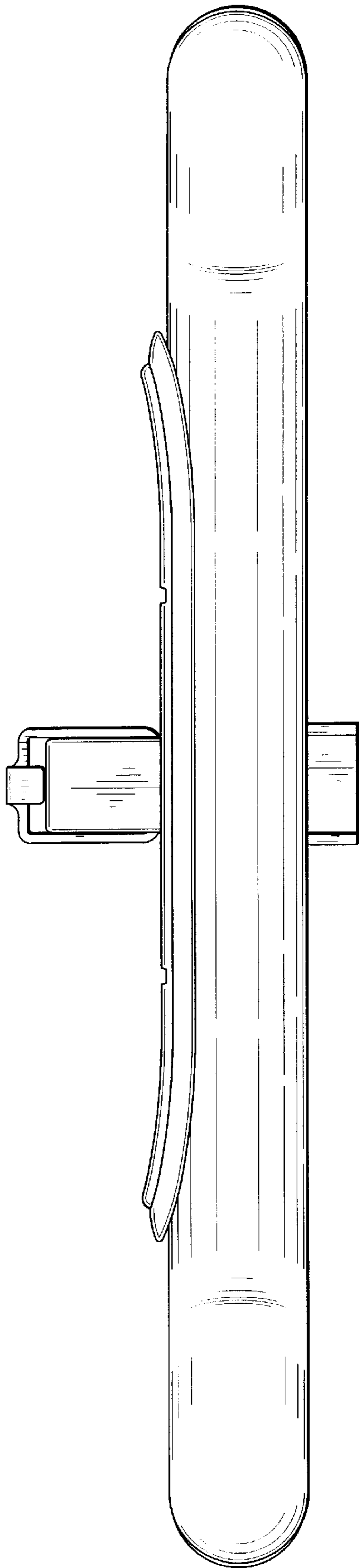


FIG. 3

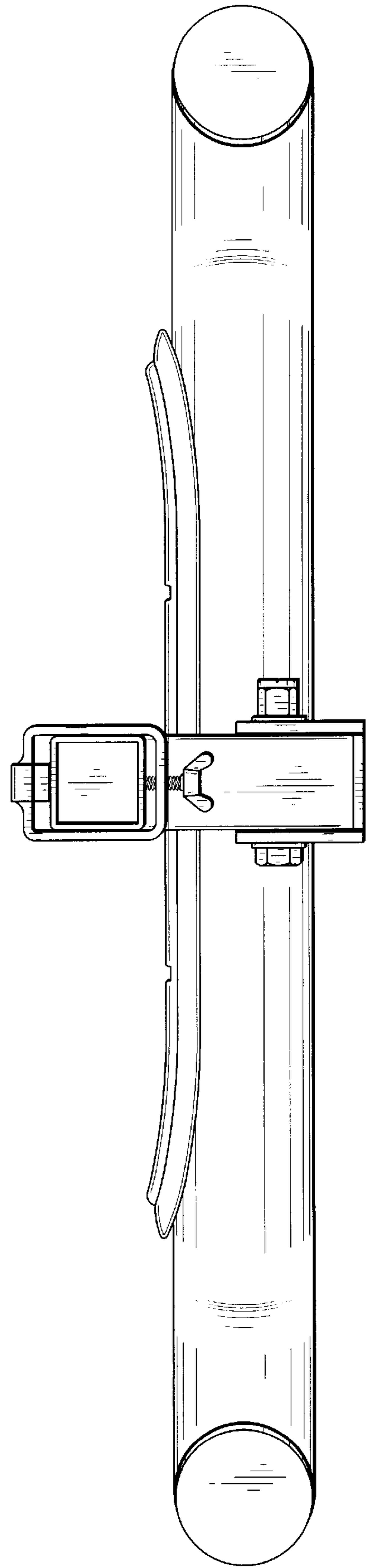


FIG. 4

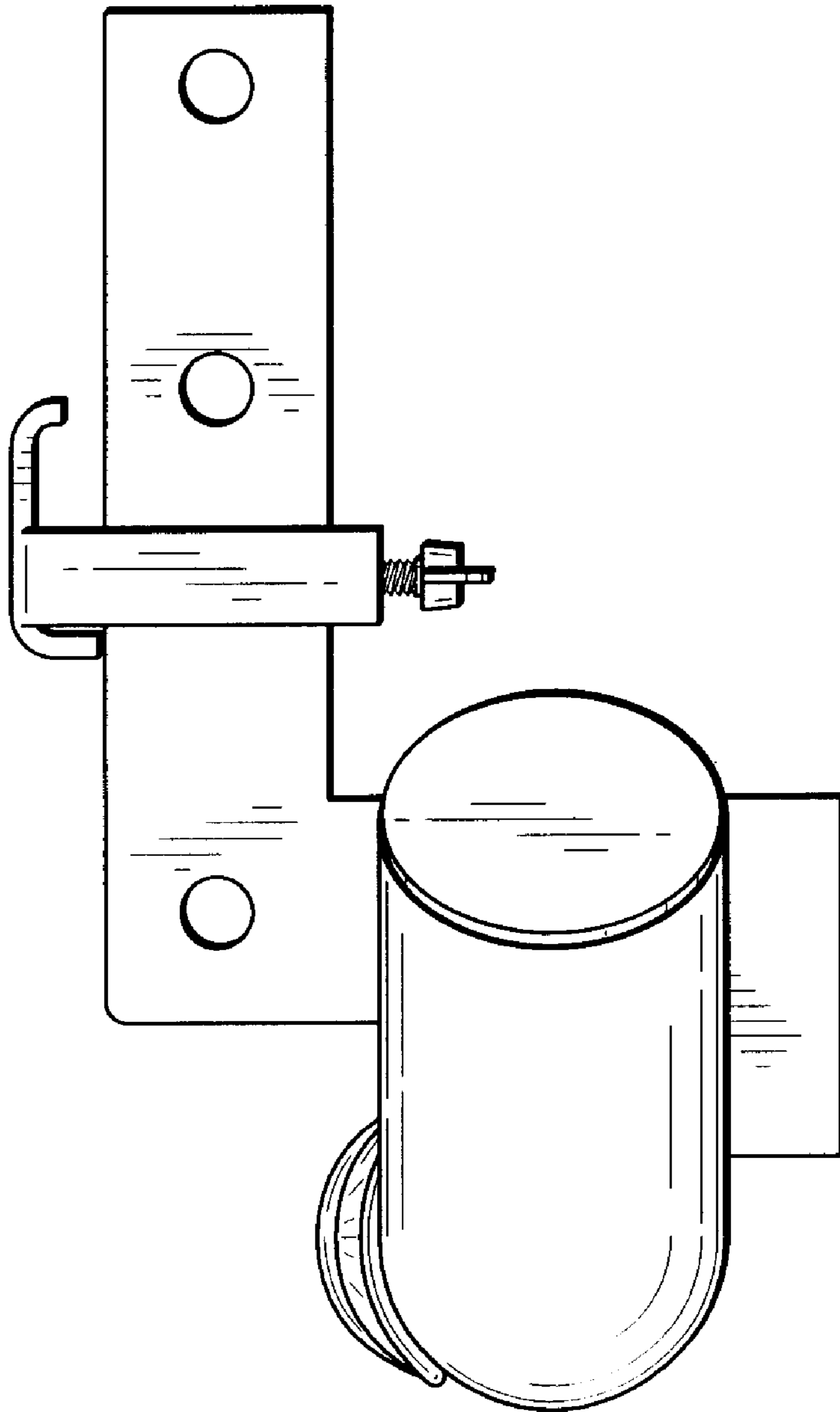


FIG. 5

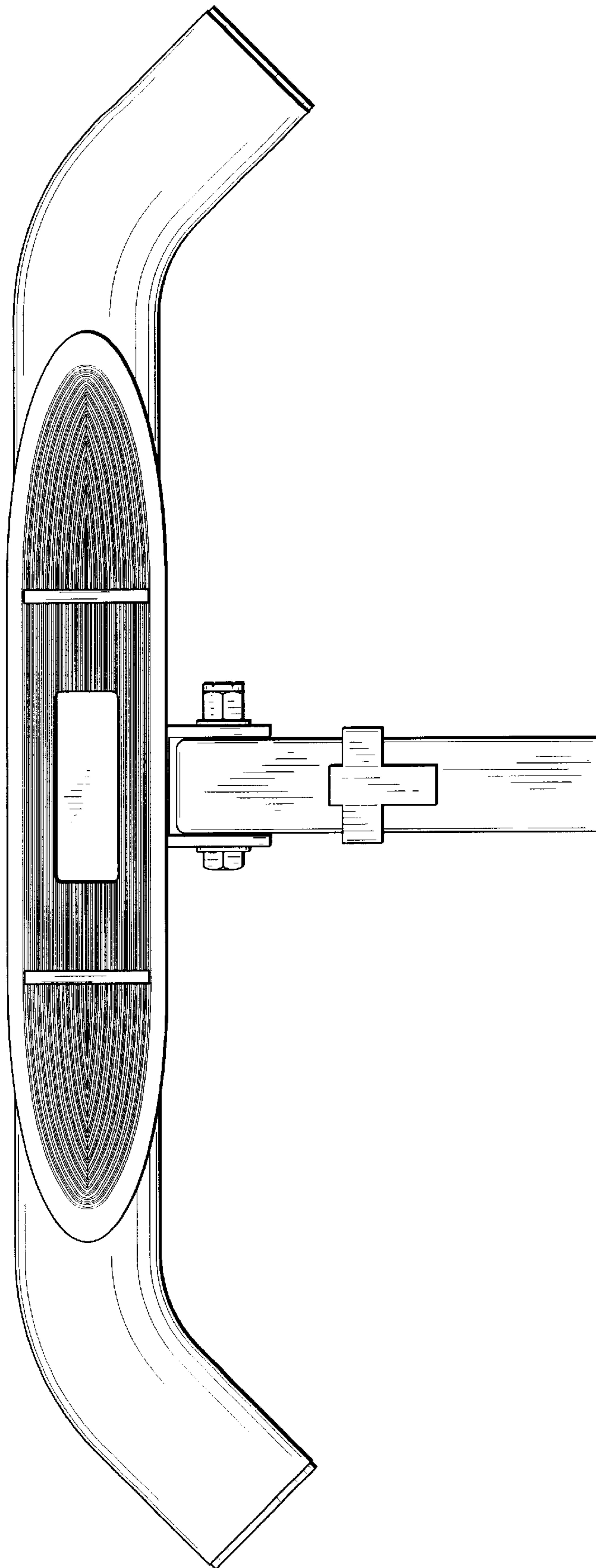


FIG. 6

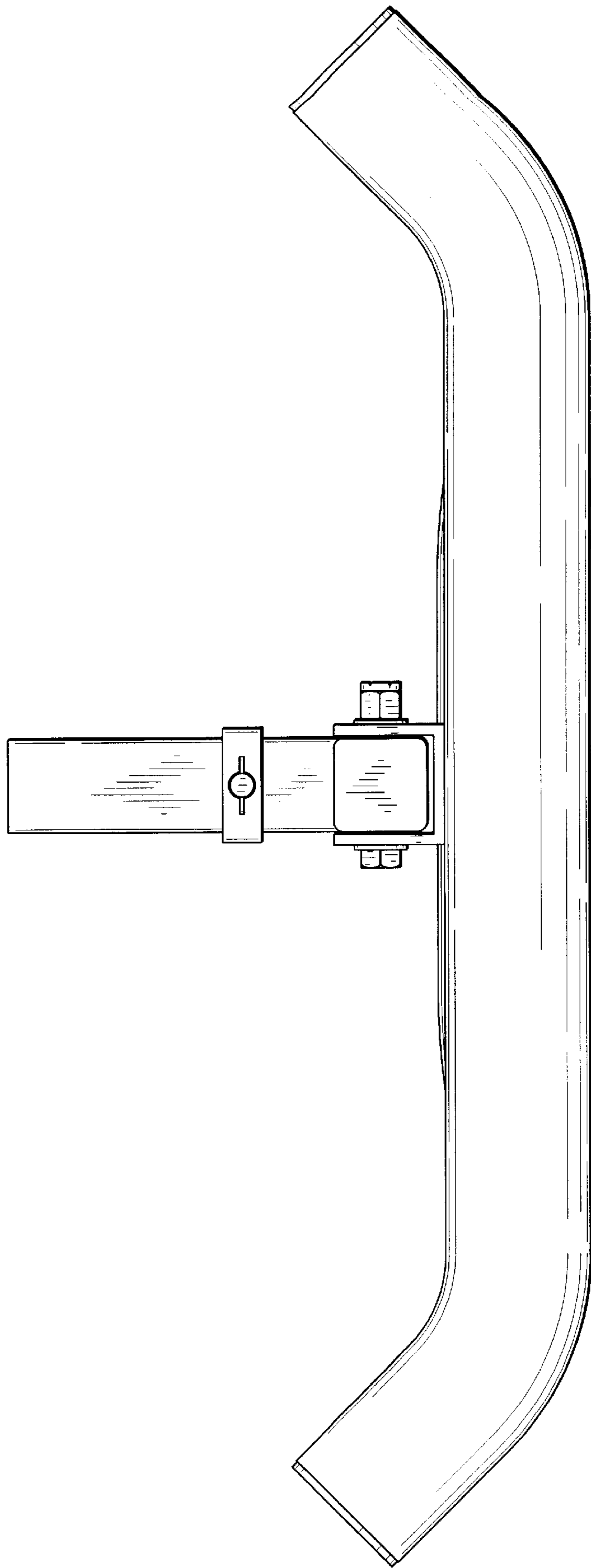


FIG. 7

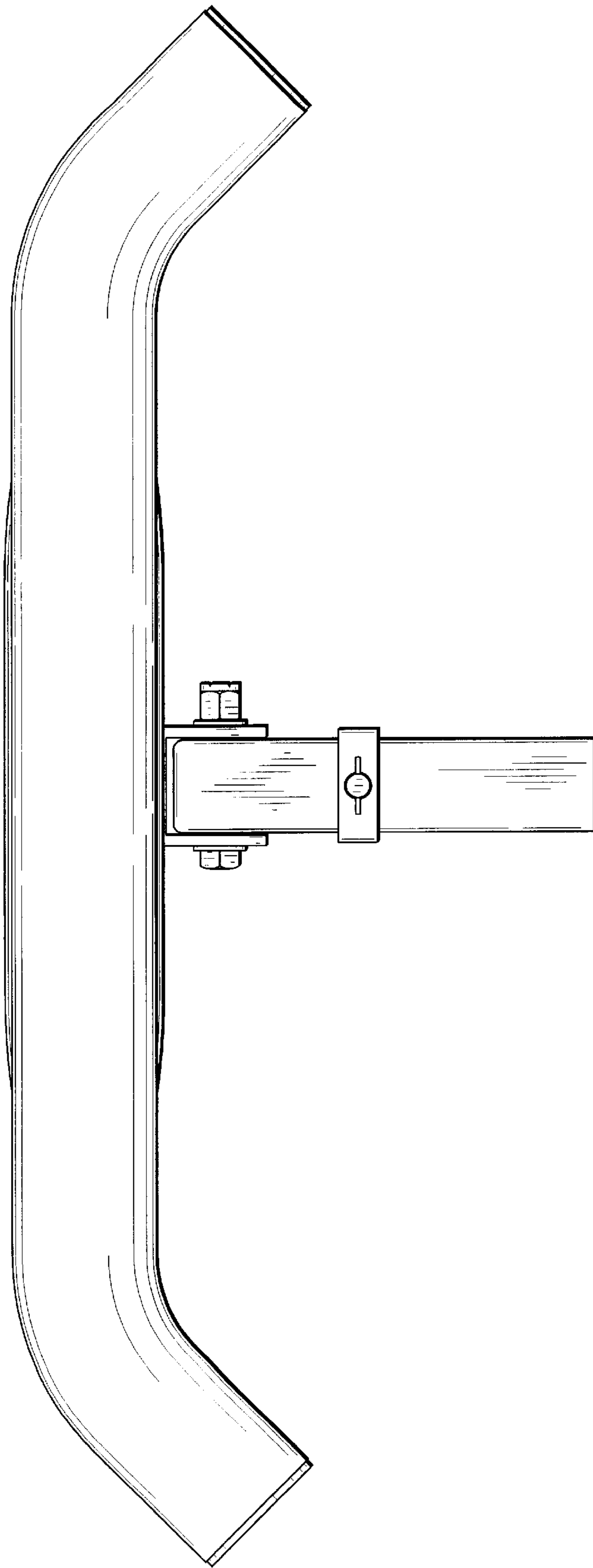


FIG. 8

