

US00D46333S

(12) **United States Design Patent**
McCoy et al.

(10) **Patent No.: US D463,333 S**

(45) **Date of Patent: ** Sep. 24, 2002**

(54) **TWO-INTO-ONE ADAPTOR**

D445,738 S * 7/2001 Lindenman et al. D12/162

(75) Inventors: **Richard W. McCoy**, Granger, IN (US);
Thomas W. Lindenman, South Bend, IN (US)

(73) Assignee: **Reese Products, Inc.**, Elkhart, IN (US)

(**) Term: **14 Years**

(21) Appl. No.: **29/149,119**

(22) Filed: **Oct. 3, 2001**

(51) **LOC (7) Cl.** **12-16**

(52) **U.S. Cl.** **D12/162**

(58) **Field of Search** D12/162, 400;
280/402, 415.1, 416.1, 482, 490.1, 493,
495, 491.1-491.49, 500-501, 505, 511

(56) **References Cited**

U.S. PATENT DOCUMENTS

D341,117 S	*	11/1993	Sundstedt	D12/162
D379,343 S	*	5/1997	Shaw et al.	D12/162
5,836,494 A		11/1998	Grunsted et al.		
D420,631 S	*	2/2000	Shaw et al.	D12/162
D433,357 S	*	11/2000	McCoy et al.	D12/162
D445,382 S	*	7/2001	Lindenman et al.	D12/162

OTHER PUBLICATIONS

U.S. Provisional patent application Ser. No. 60/243,382 filed Oct. 26, 2000, Accessory Mounting Adapter for a Trailer Hitch Assembly.

* cited by examiner

Primary Examiner—Stacia Cadmus

(74) *Attorney, Agent, or Firm*—King & Schickli, PLLC

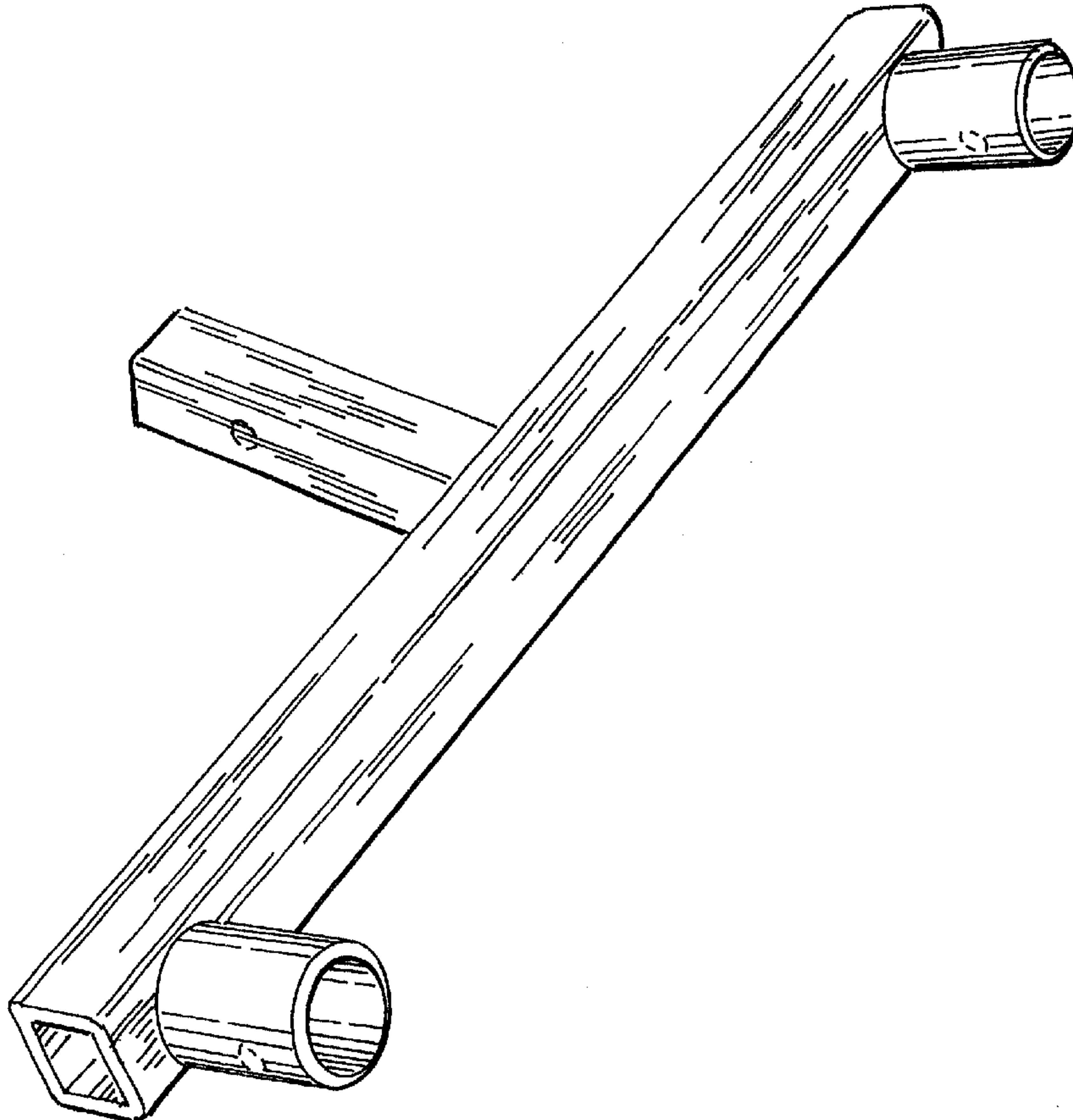
(57) **CLAIM**

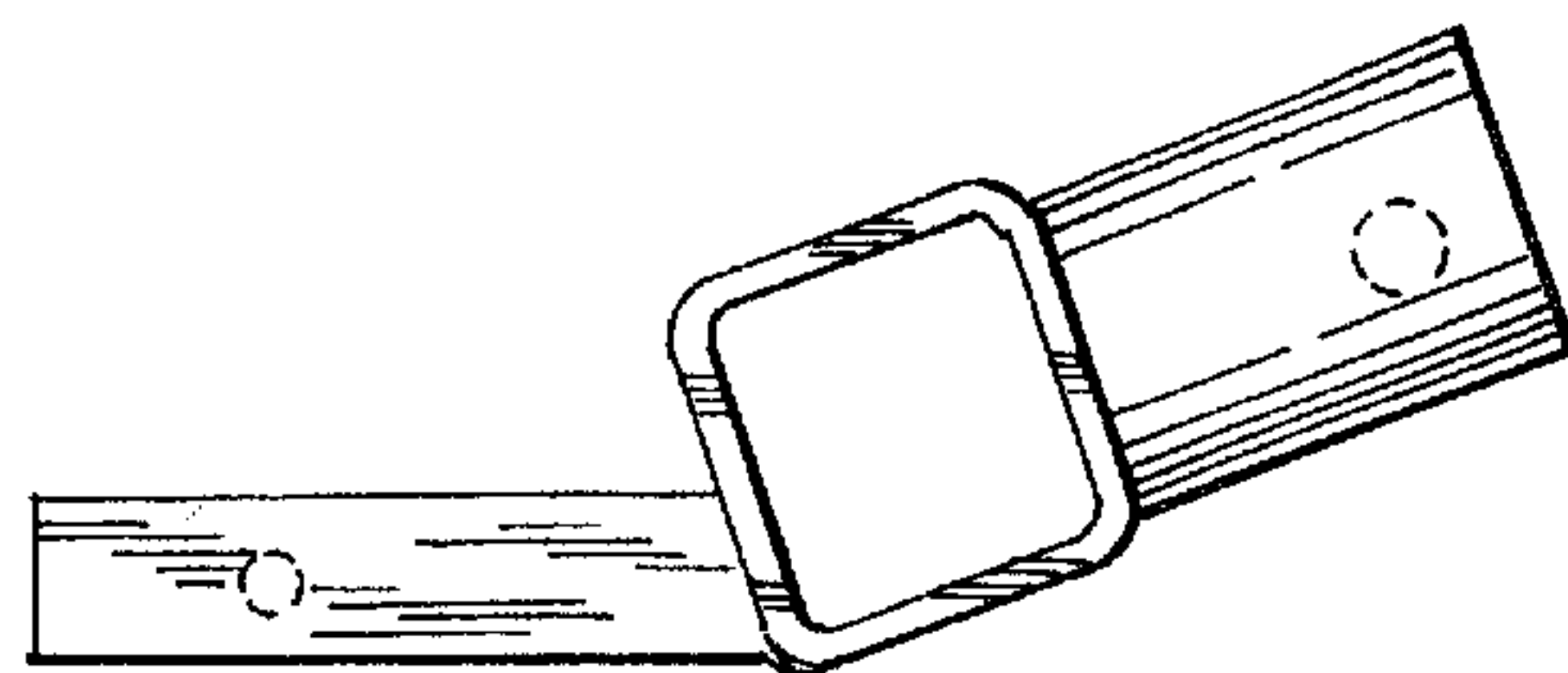
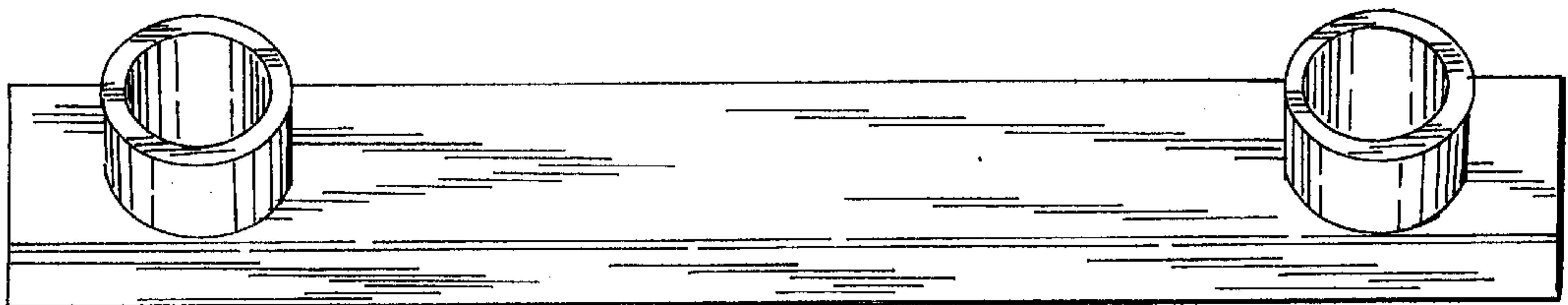
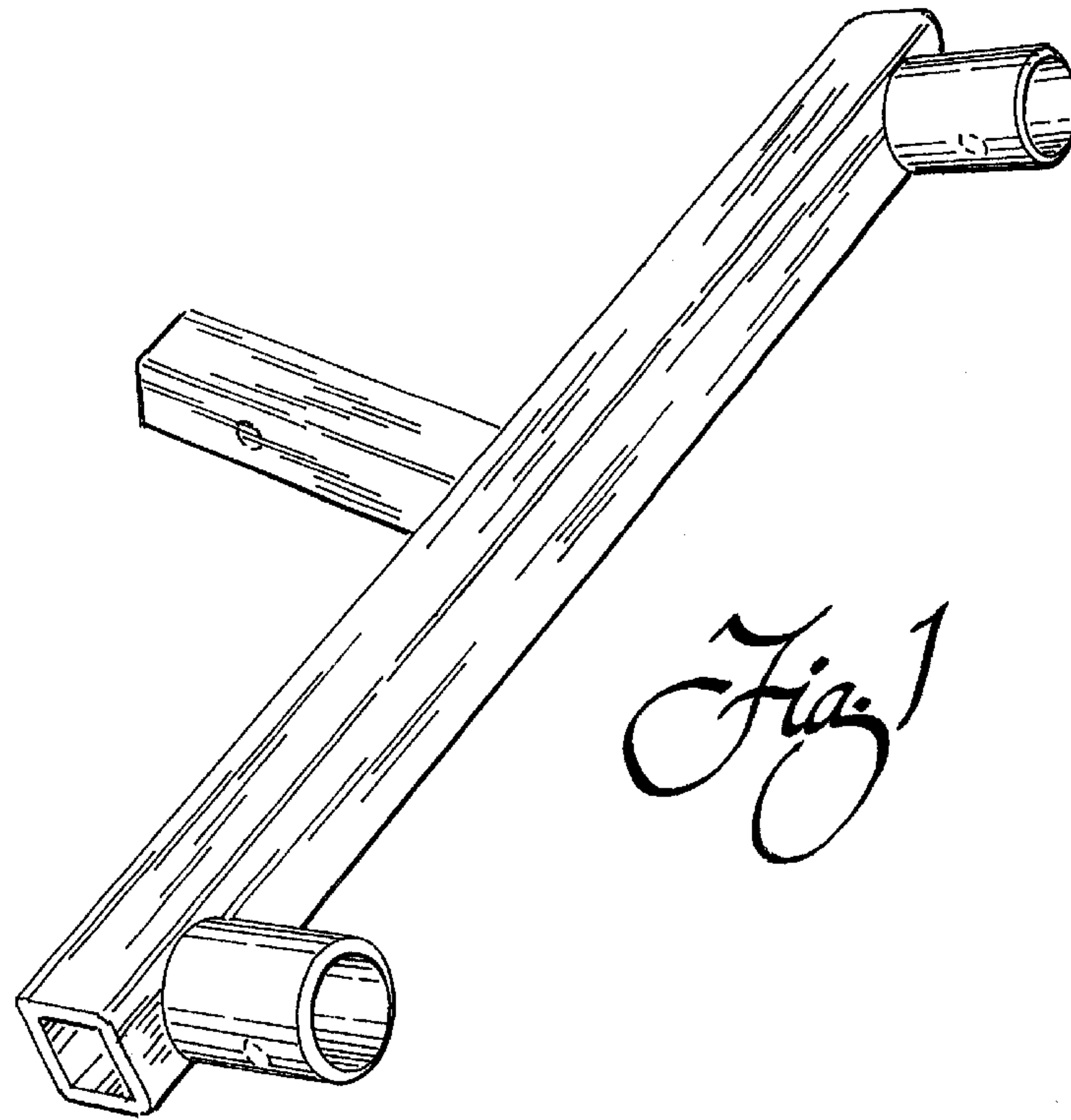
The ornamental design of a two-into-one adaptor, as shown and described.

DESCRIPTION

FIG. 1 is a perspective view of the two-into-one adaptor of the present invention;
FIG. 2 is a front elevational view thereof;
FIG. 3 is a right side elevational view, the left side being a mirror image thereof;
FIG. 4 is a rear elevational view thereof;
FIG. 5 is a top plan view thereof; and,
FIG. 6 is a bottom plan view thereof.

1 Claim, 2 Drawing Sheets





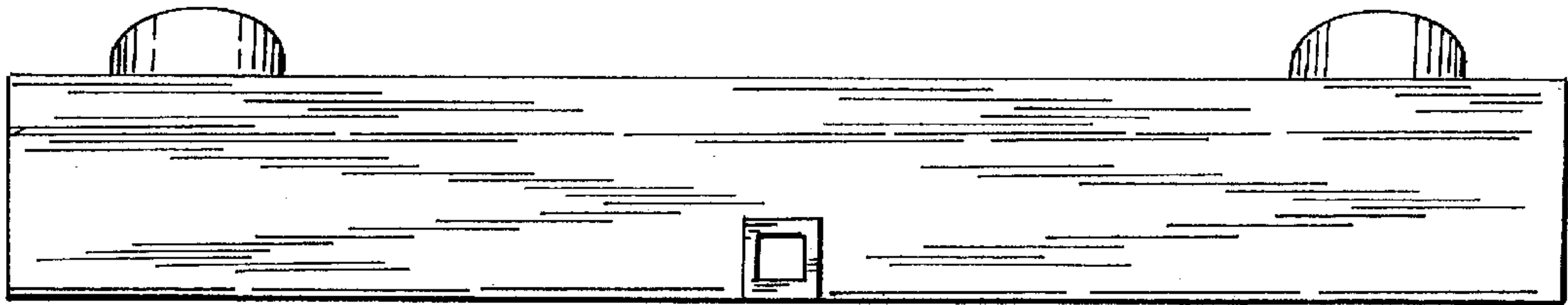


Fig. 4

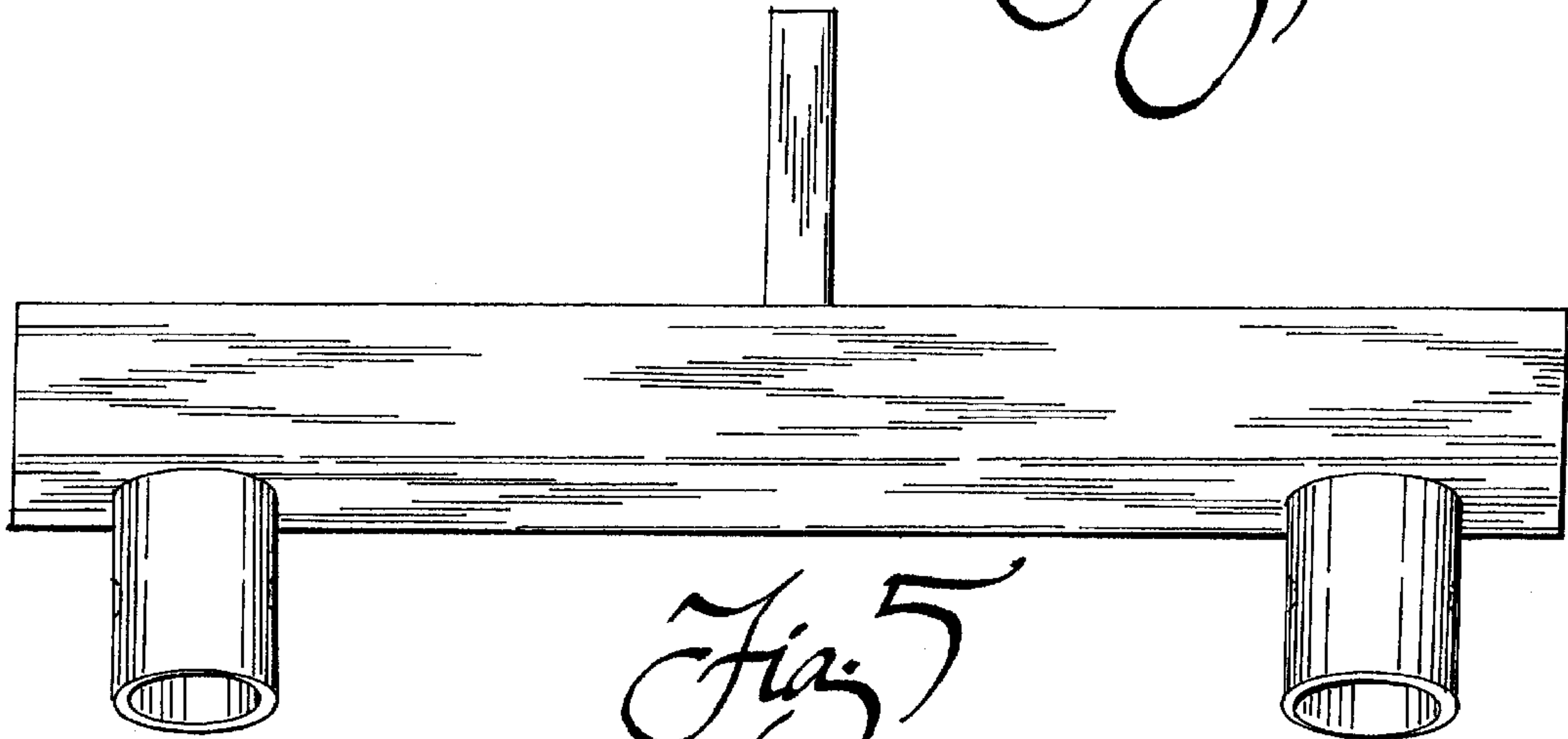


Fig. 5

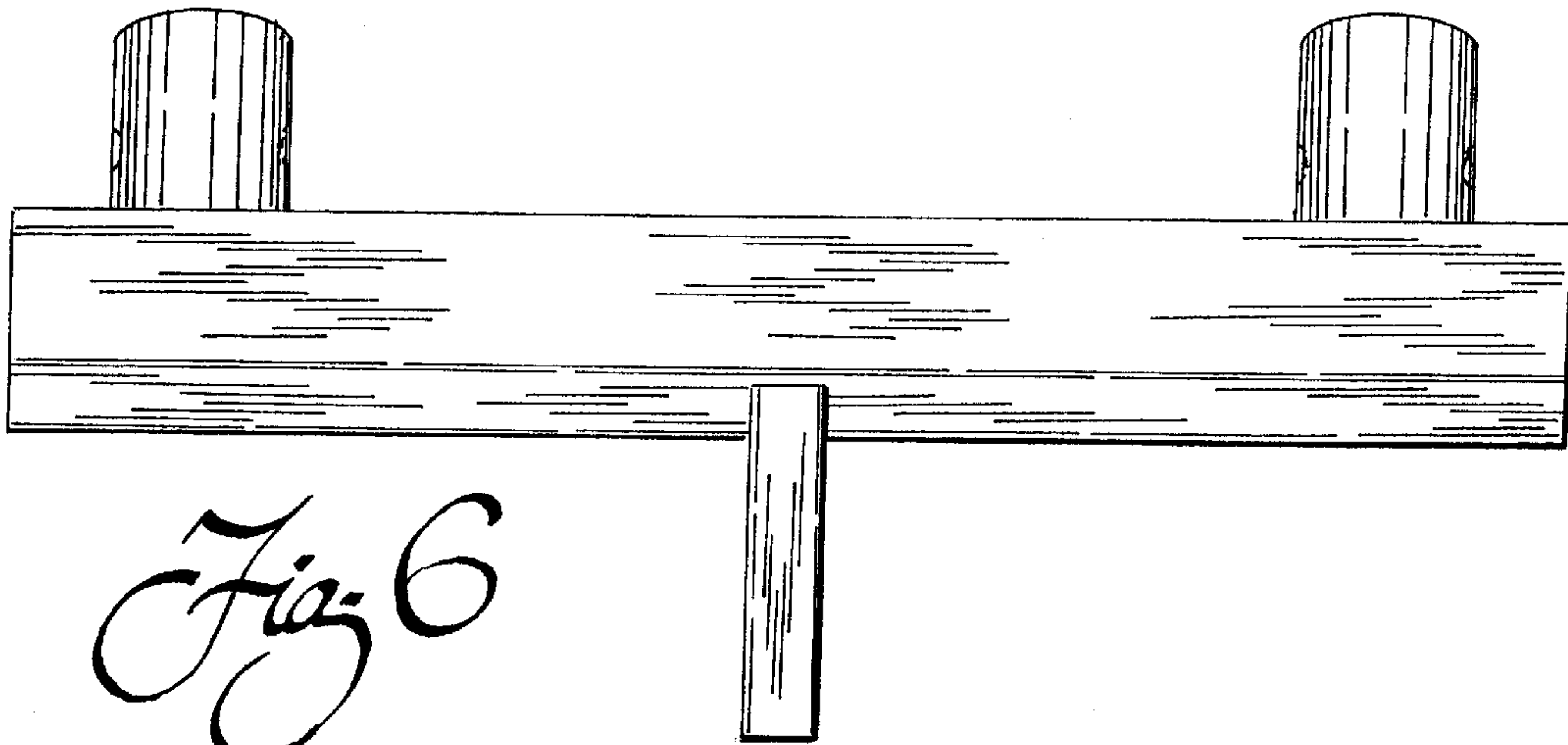


Fig. 6