



US00D463327S

(12) **United States Design Patent**
Bulson

(10) **Patent No.:** **US D463,327 S**

(45) **Date of Patent:** **** Sep. 24, 2002**

(54) **MOUNTING BRACKET FOR TRAINING WHEELS**

5,054,803 A * 10/1991 Ellingsen, Jr. 280/301
D432,954 S * 10/2000 Bulson D12/114
D448,705 S * 10/2001 Bulson D12/114

(76) Inventor: **Kevin F. Bulson**, 801 Ashmeade Rd.,
Charlotte, NC (US) 28211

* cited by examiner

(**) Term: **14 Years**

Primary Examiner—Alan P. Douglas

Assistant Examiner—Linda Brooks

(21) Appl. No.: **29/146,937**

(74) *Attorney, Agent, or Firm*—Dougherty & Clements
LLP

(22) Filed: **Aug. 20, 2001**

(57) **CLAIM**

(51) **LOC (7) Cl.** **12-11**

The ornamental design for a mounting bracket for training wheels, as shown and described.

(52) **U.S. Cl.** **D12/114**

(58) **Field of Search** D12/111, 114,
D12/112, 153, 223; 280/288.4, 291.1, 293,
301, 767; D8/396; 248/291.1, 300

DESCRIPTION

(56) **References Cited**

FIG. 1 is an isometric view of the mounting bracket for training wheels showing the new design;
FIG. 2 is a top view thereof on a reduced scale;
FIG. 3 is a left side view thereof on a reduced scale;
FIG. 4 is a front view thereof on a reduced scale;
FIG. 5 is a right side view thereof on a reduced scale; and,
FIG. 6 is a bottom view thereof on a reduced scale.

U.S. PATENT DOCUMENTS

3,642,305 A * 2/1972 Pawsatt 280/293
D237,600 S * 11/1975 Berger et al. D12/114
D257,122 S * 9/1980 Price D12/114 X
4,326,729 A * 4/1982 Luckowski et al. 280/293 X

1 Claim, 2 Drawing Sheets

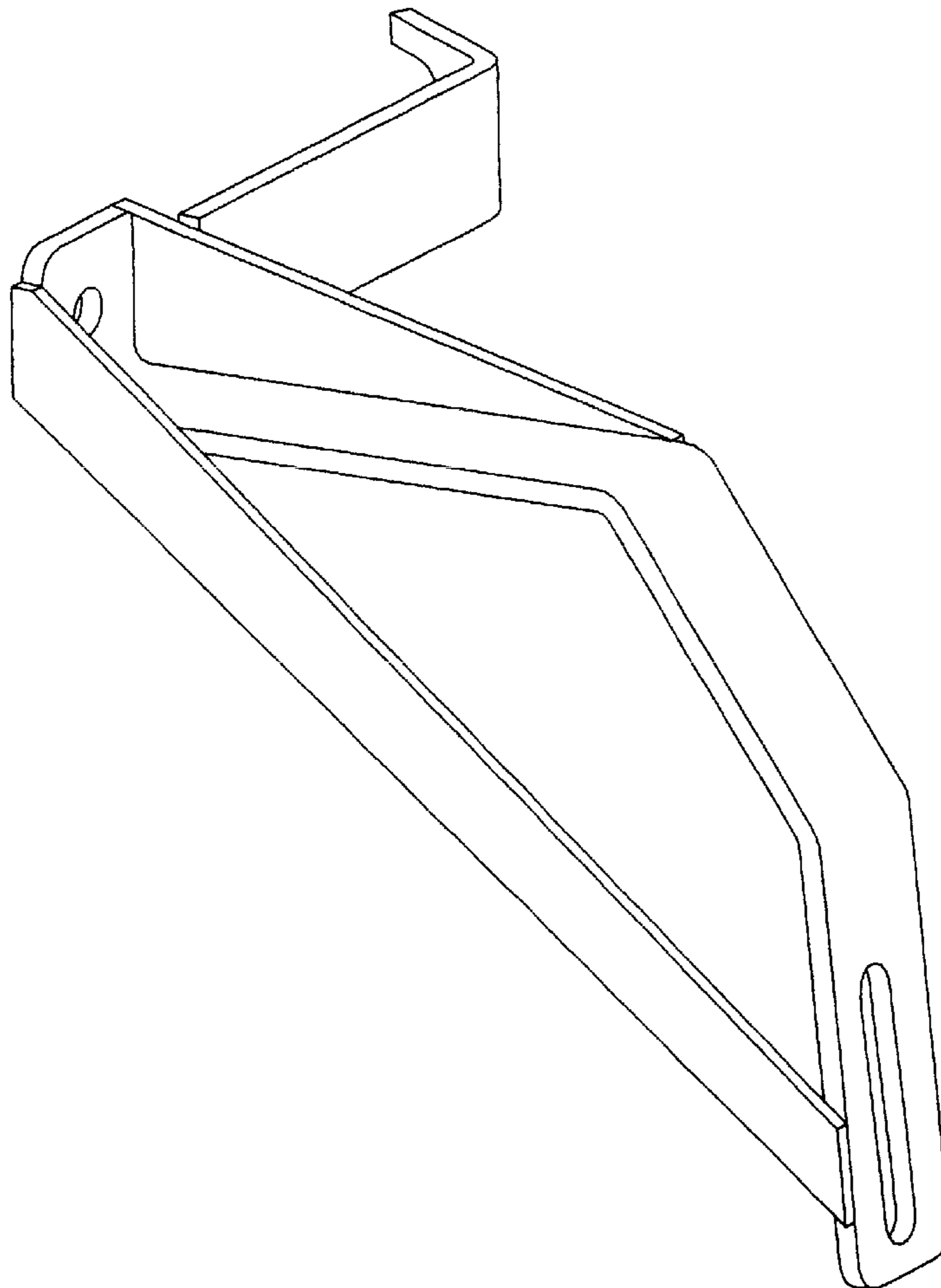
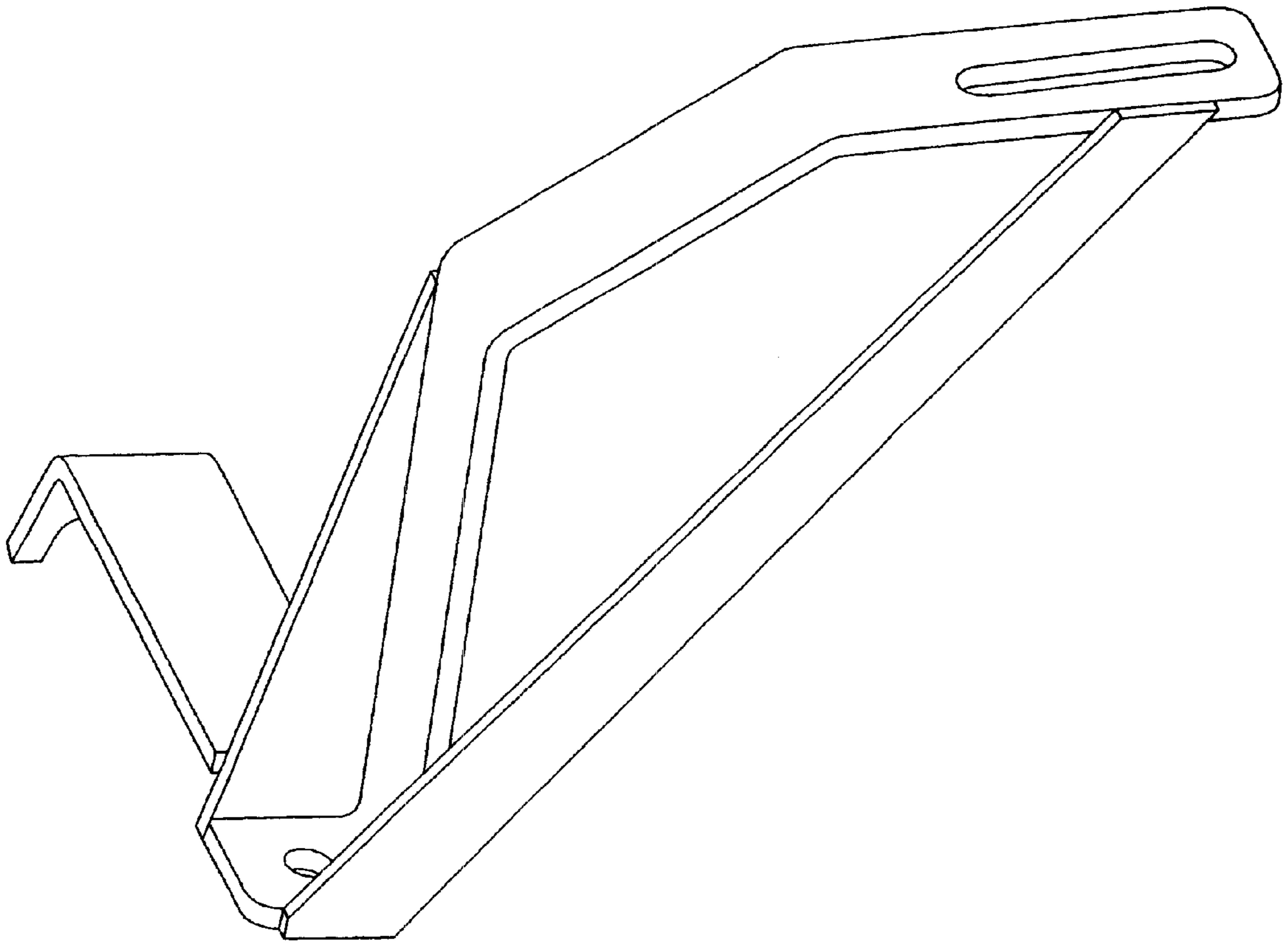


Fig. 1



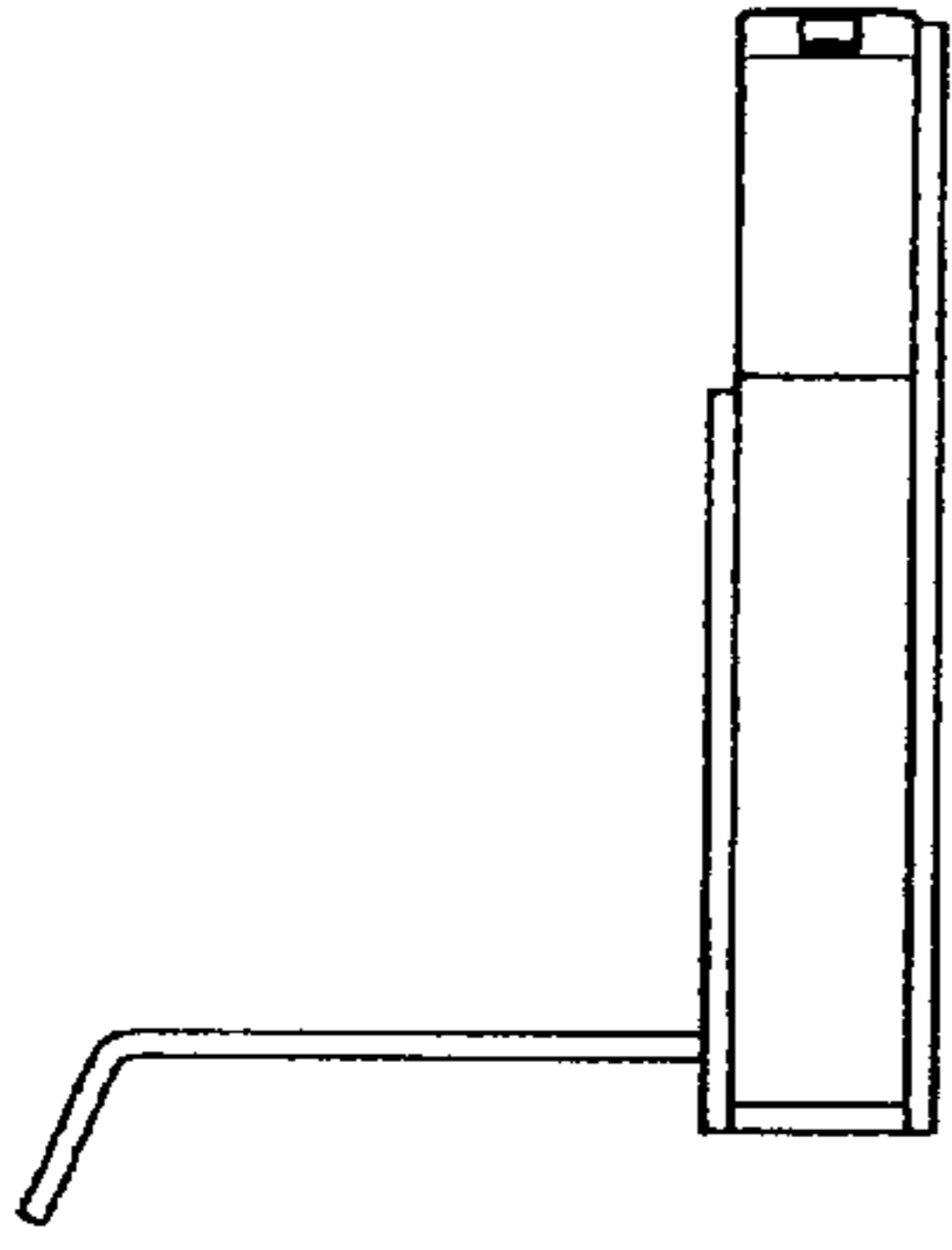


Fig. 2

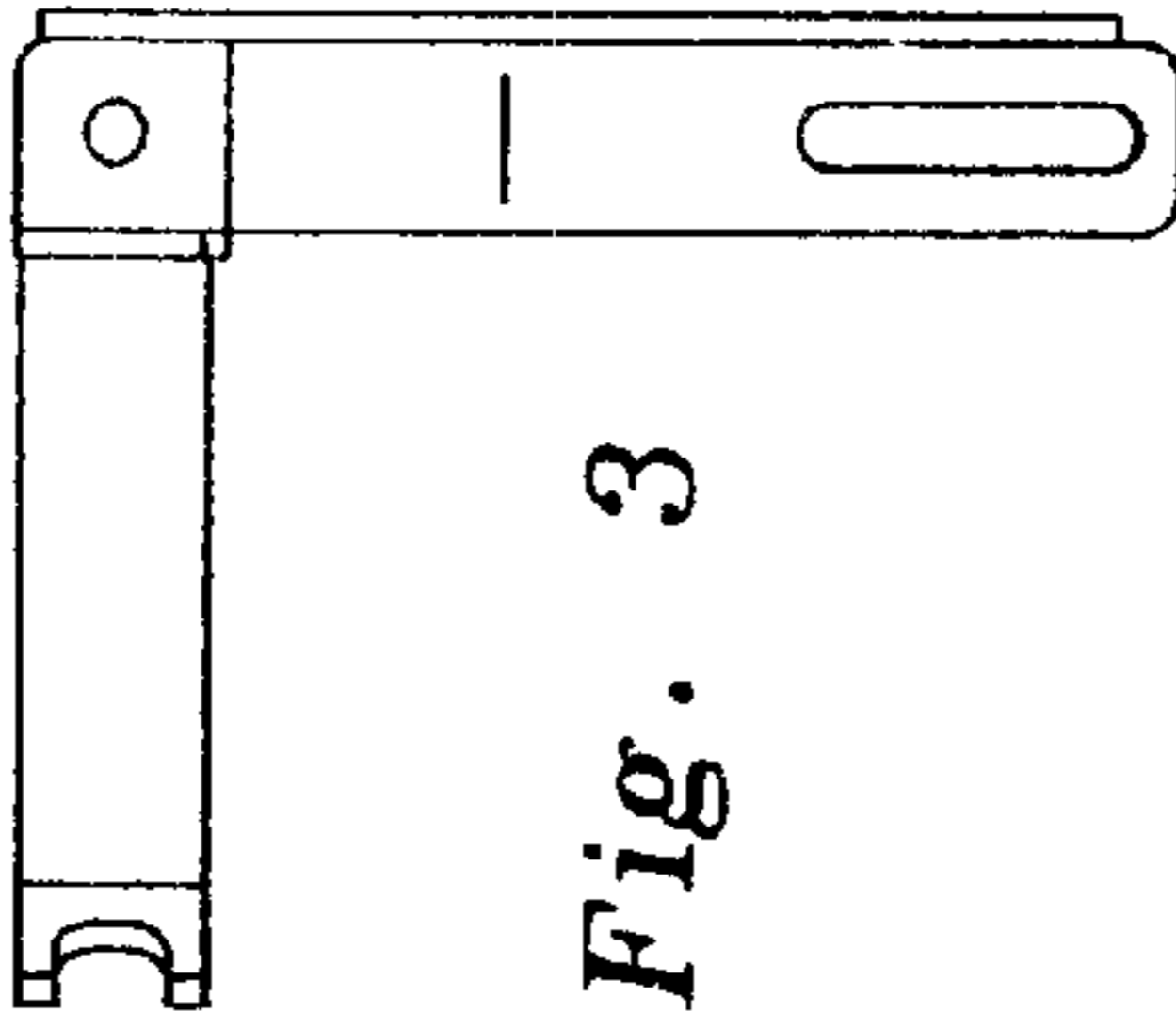


Fig. 3

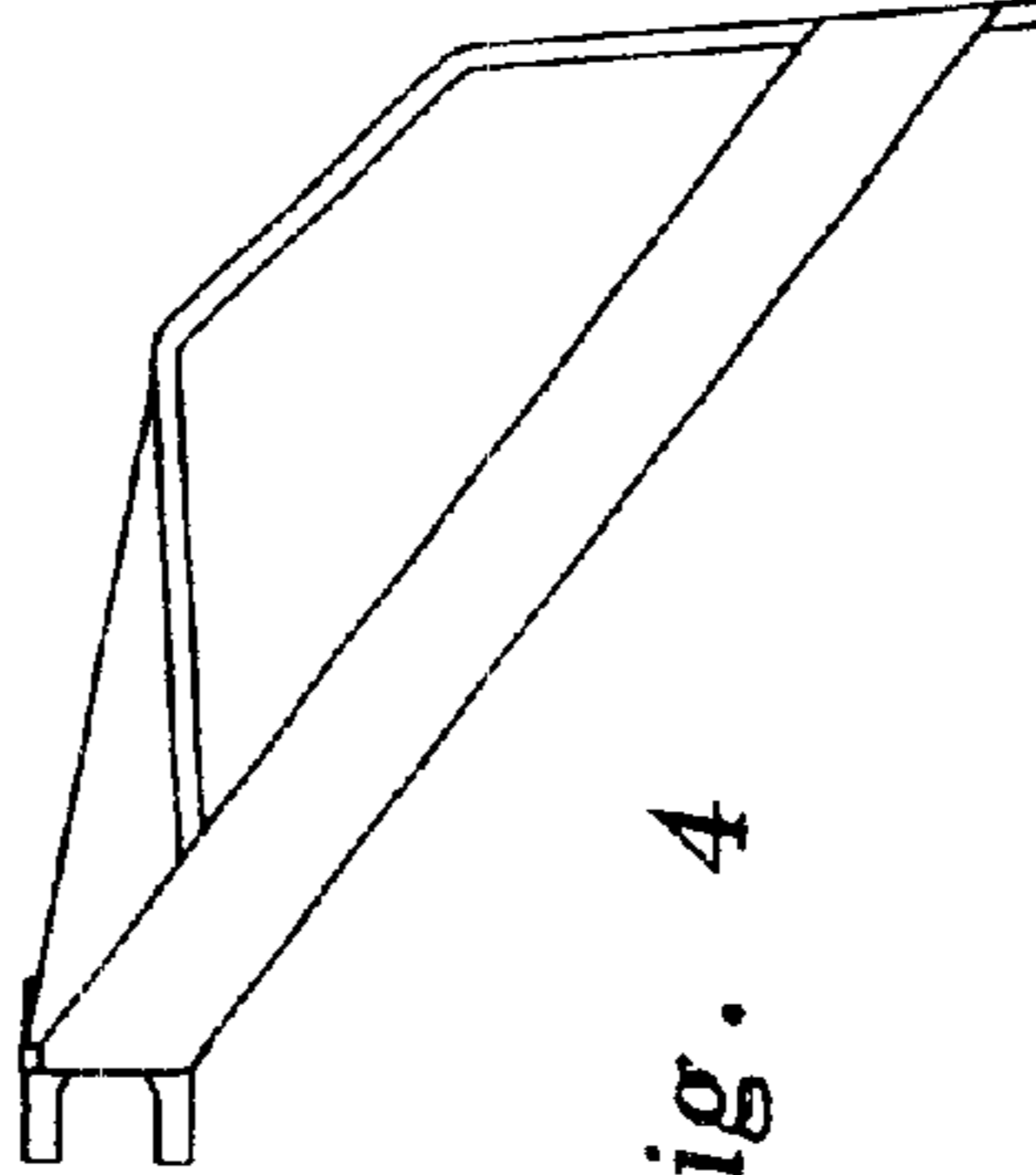


Fig. 4

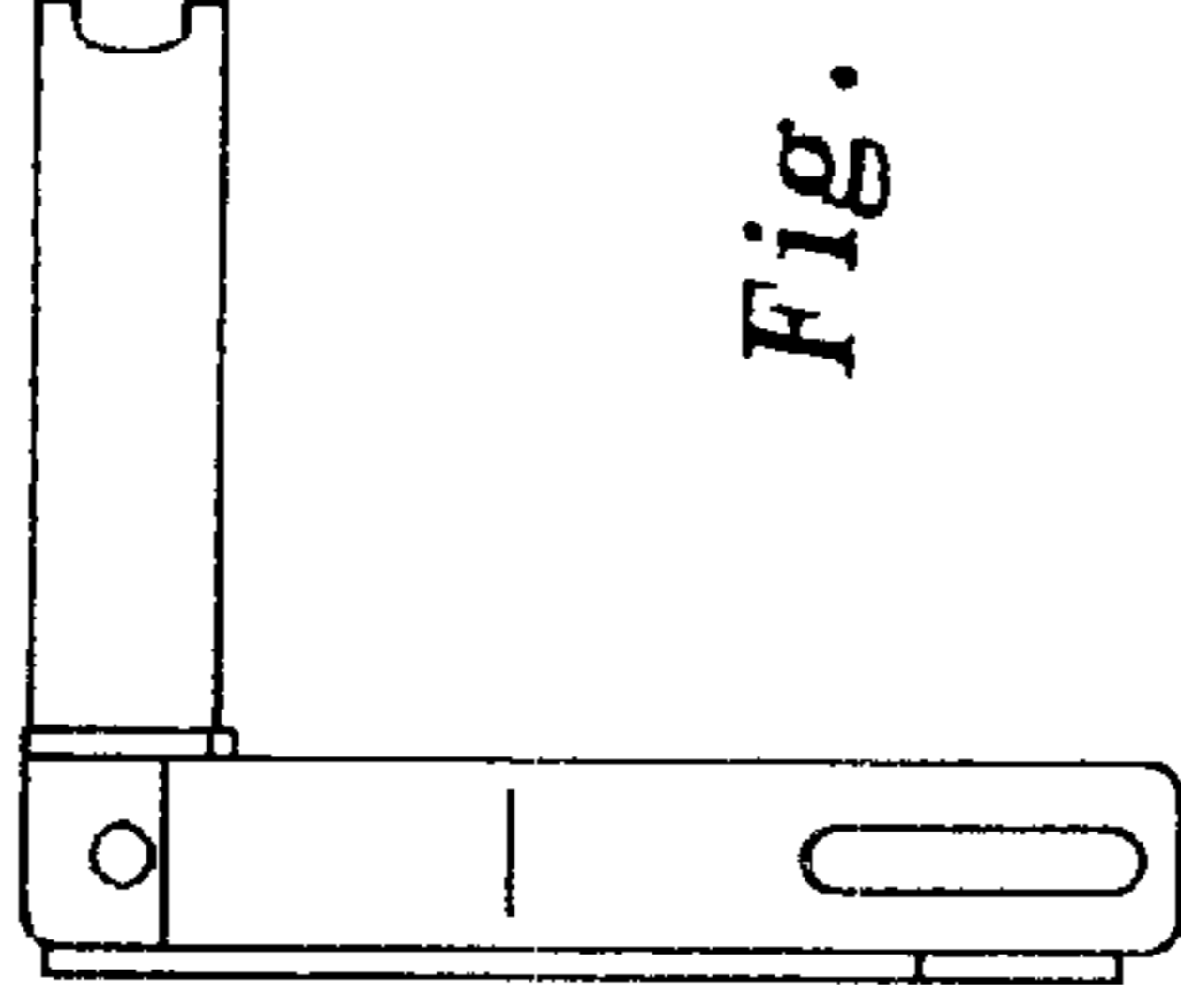


Fig. 5

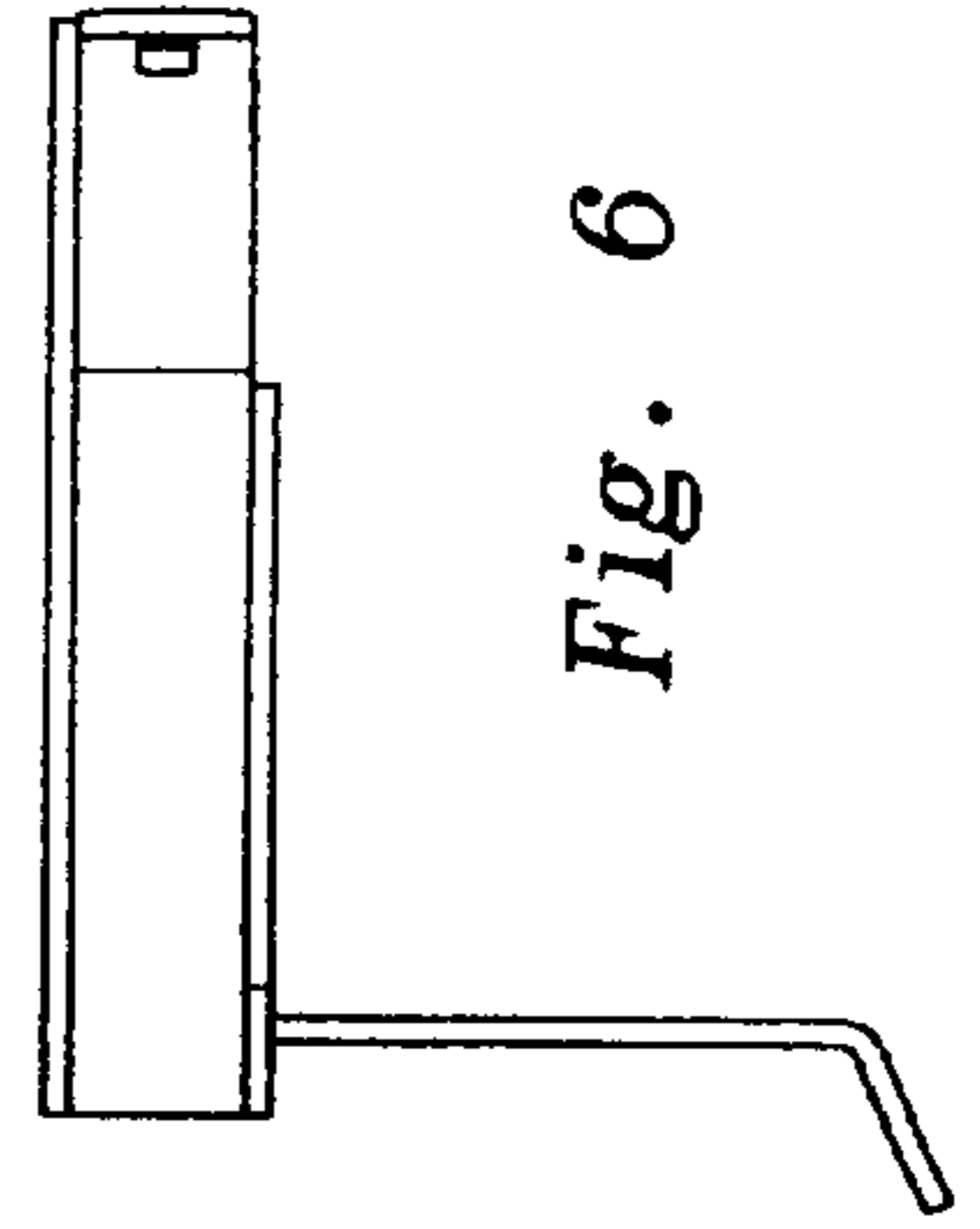


Fig. 6