



US00D463326S

(12) **United States Design Patent**
Takeda

(10) **Patent No.:** **US D463,326 S**

(45) **Date of Patent:** **** Sep. 24, 2002**

(54) **TOW TRACTOR**

(75) Inventor: **Mitsumasa Takeda, Kariya (JP)**

(73) Assignee: **Kabushiki Kaisha Toyoda Jidoshokki Seisakusho, Kariya (JP)**

(**) Term: **14 Years**

(21) Appl. No.: **29/136,894**

(22) Filed: **Feb. 9, 2001**

(30) **Foreign Application Priority Data**

Aug. 9, 2000 (JP) 2000-022015

(51) **LOC (7) Cl.** **12-13**

(52) **U.S. Cl.** **D12/14**

(58) **Field of Search** D12/1, 14-16, D12/85-87, 107, 196; 296/183-186, 190.01, 181; D15/15; 180/311, 234, 233, 908; 414/460; 280/DIG. 5; D34/34-37

(56) **References Cited**

U.S. PATENT DOCUMENTS

D176,040 S	*	11/1955	Schafler	D12/14
D184,580 S	*	3/1959	Polhemus	D12/14
D186,159 S	*	9/1959	Chucta	D12/14
D192,794 S	*	5/1962	Brown	D12/1
D299,322 S	*	1/1989	Page	D12/14
D317,276 S	*	6/1991	Sousek	D12/14

D332,239 S	*	1/1993	Hirata et al.	D12/1
D337,747 S	*	7/1993	Hinklin et al.	D12/15
D342,701 S	*	12/1993	Murata et al.	D12/107
D409,349 S	*	5/1999	Bidwell	D12/1 X
D436,557 S	*	1/2001	Selby et al.	D12/14
D439,548 S	*	3/2001	Kouchi et al.	D12/1
D439,549 S	*	3/2001	Shambeau et al.	D12/14
D445,066 S	*	7/2001	Hinklin et al.	D12/1

* cited by examiner

Primary Examiner—Stacia Cadmus

(74) *Attorney, Agent, or Firm*—Morgan & Finnegan, LLP

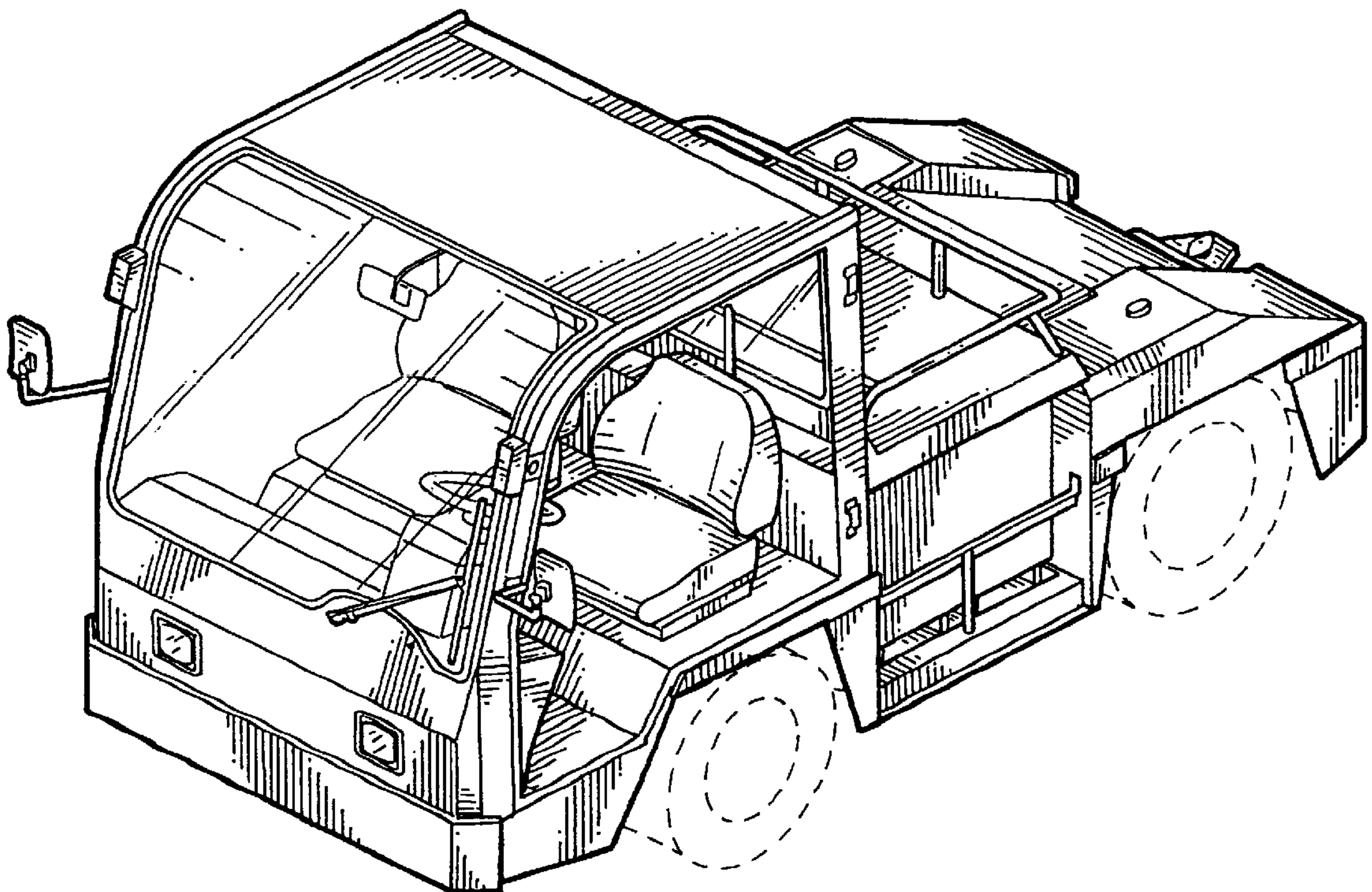
(57) **CLAIM**

The ornamental design for a tow tractor, as shown and described.

DESCRIPTION

FIG. 1 is a front, top and left side perspective view of a tow tractor showing my new design;
 FIG. 2 is rear, top and right side perspective view thereof;
 FIG. 3 is a left side elevational view thereof;
 FIG. 4 is a right side elevational view thereof;
 FIG. 5 is a rear elevational view thereof;
 FIG. 6 is a front elevational view thereof;
 FIG. 7 is a top plan view thereof; and,
 FIG. 8 is a bottom plan view thereof.
 The broken line showing of environment is for illustrative purposes only and forms no part of the claimed design.

1 Claim, 8 Drawing Sheets



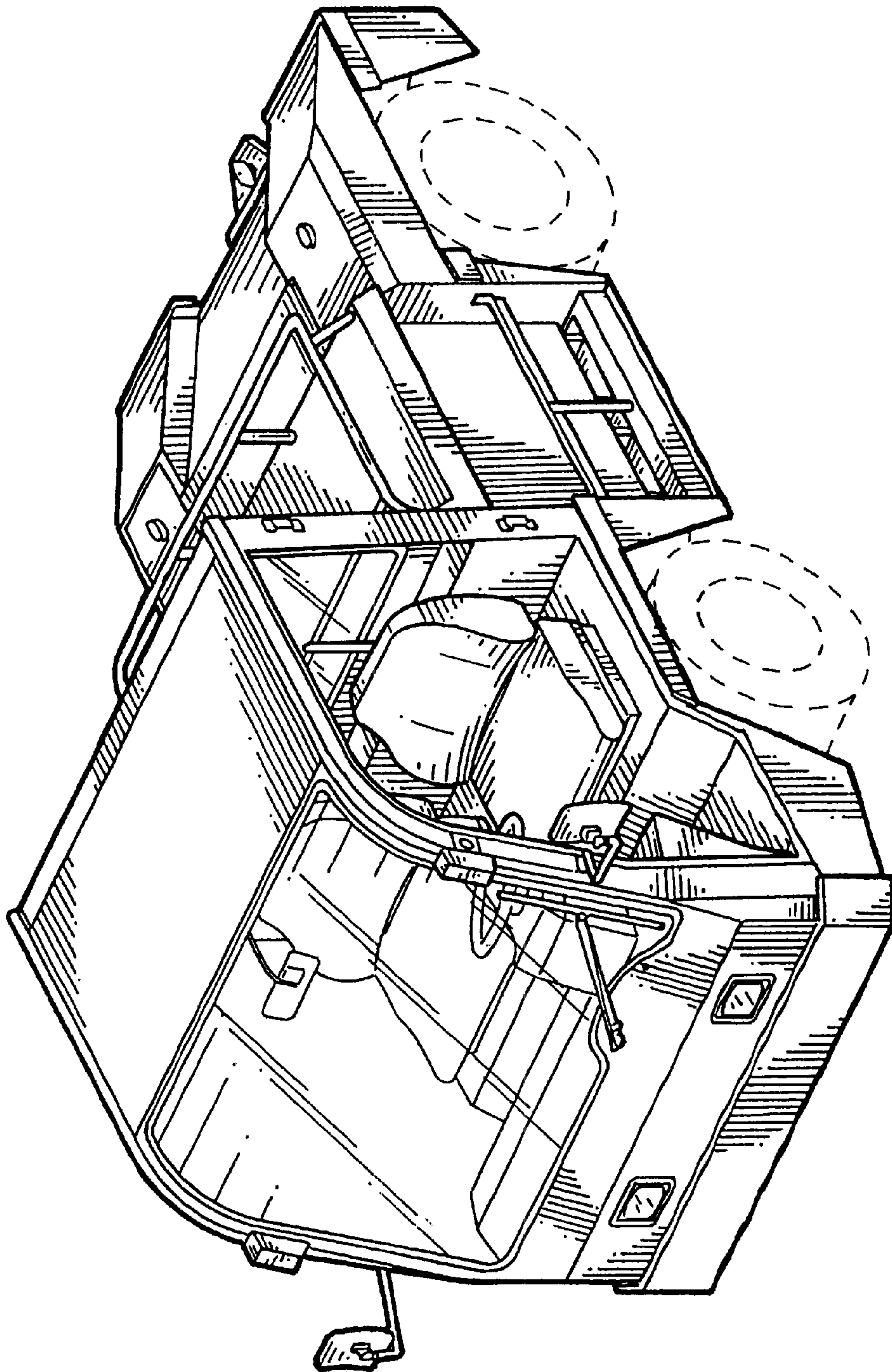


FIG. 1

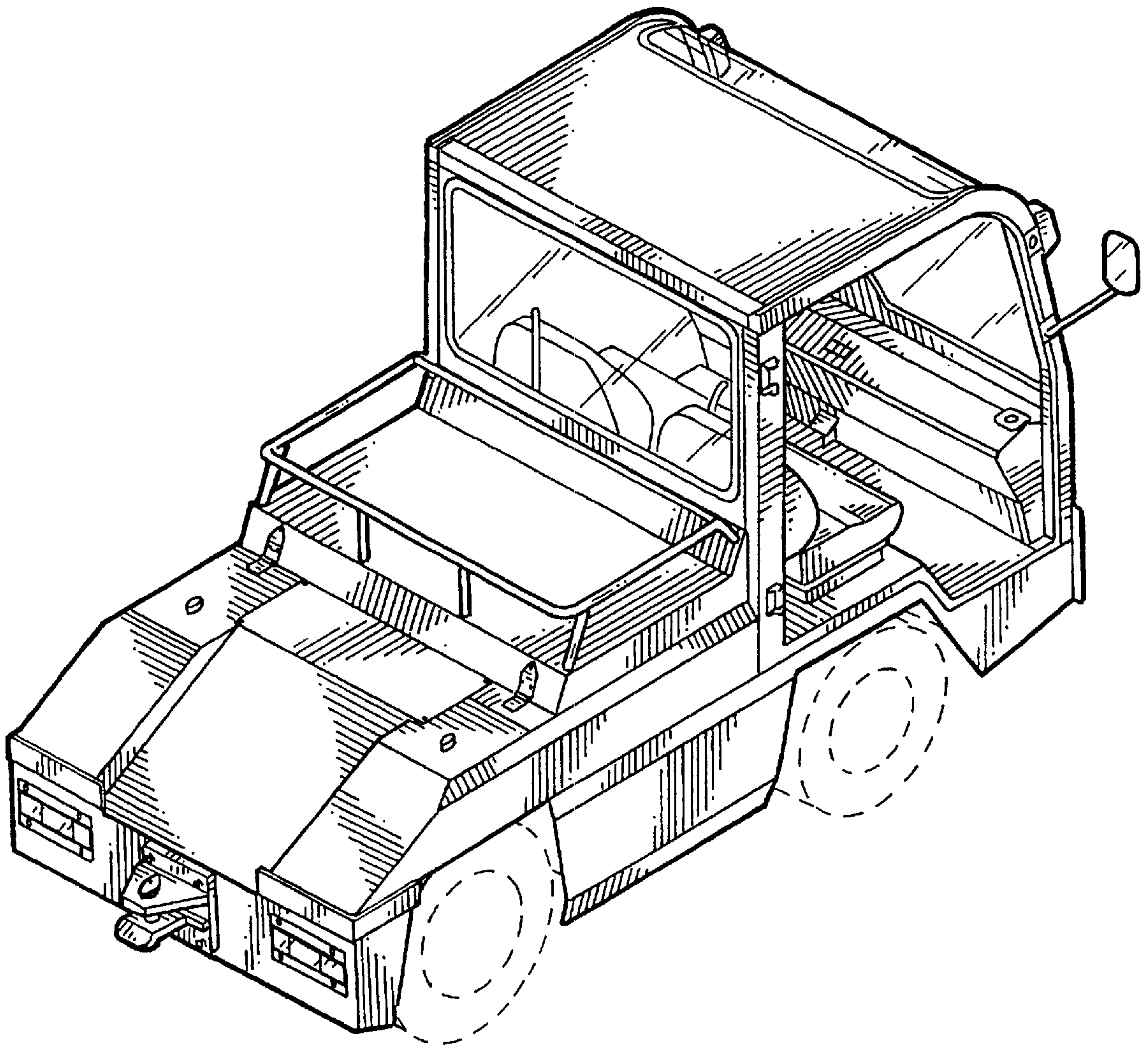


FIG. 2

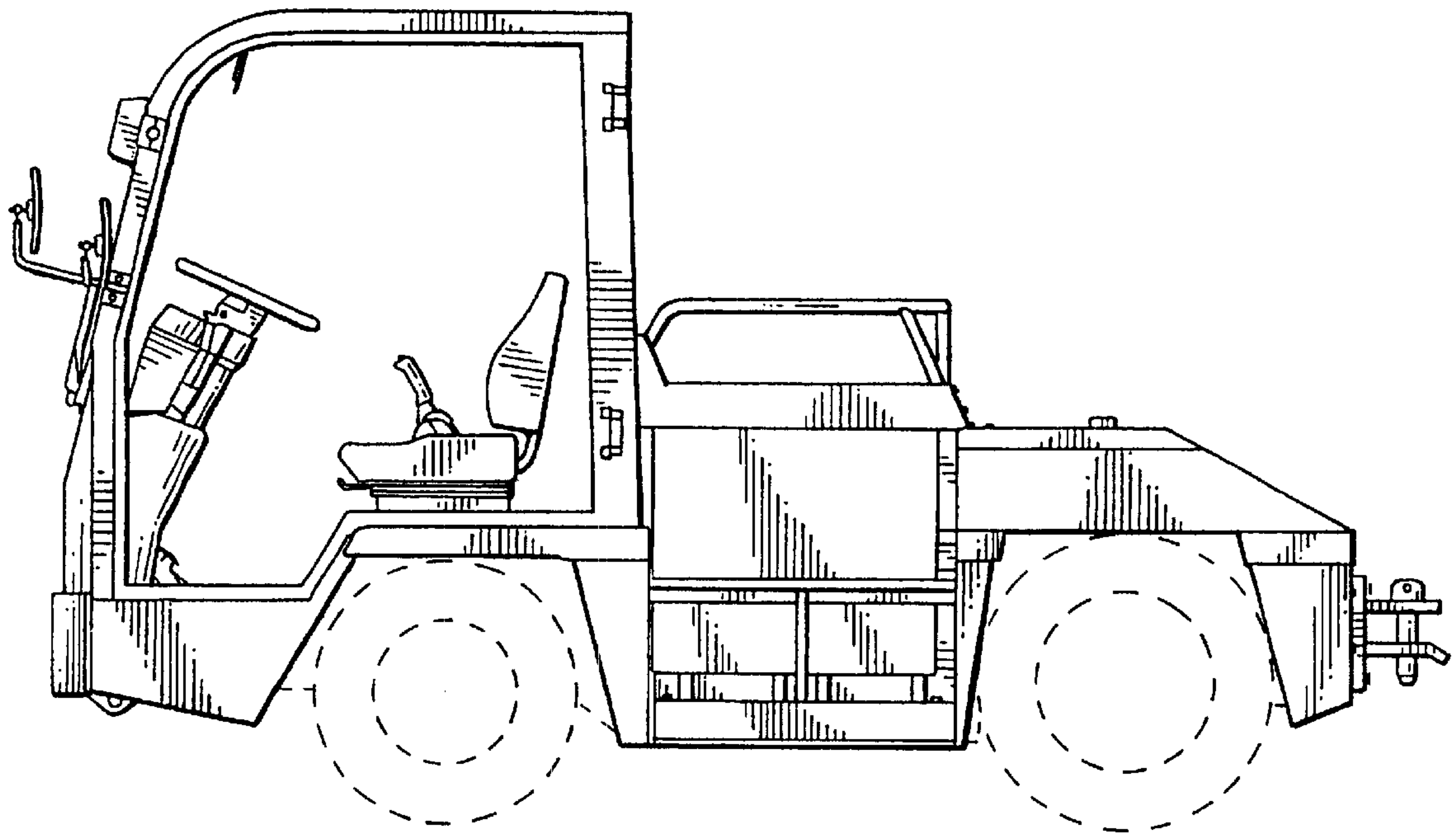


FIG. 3

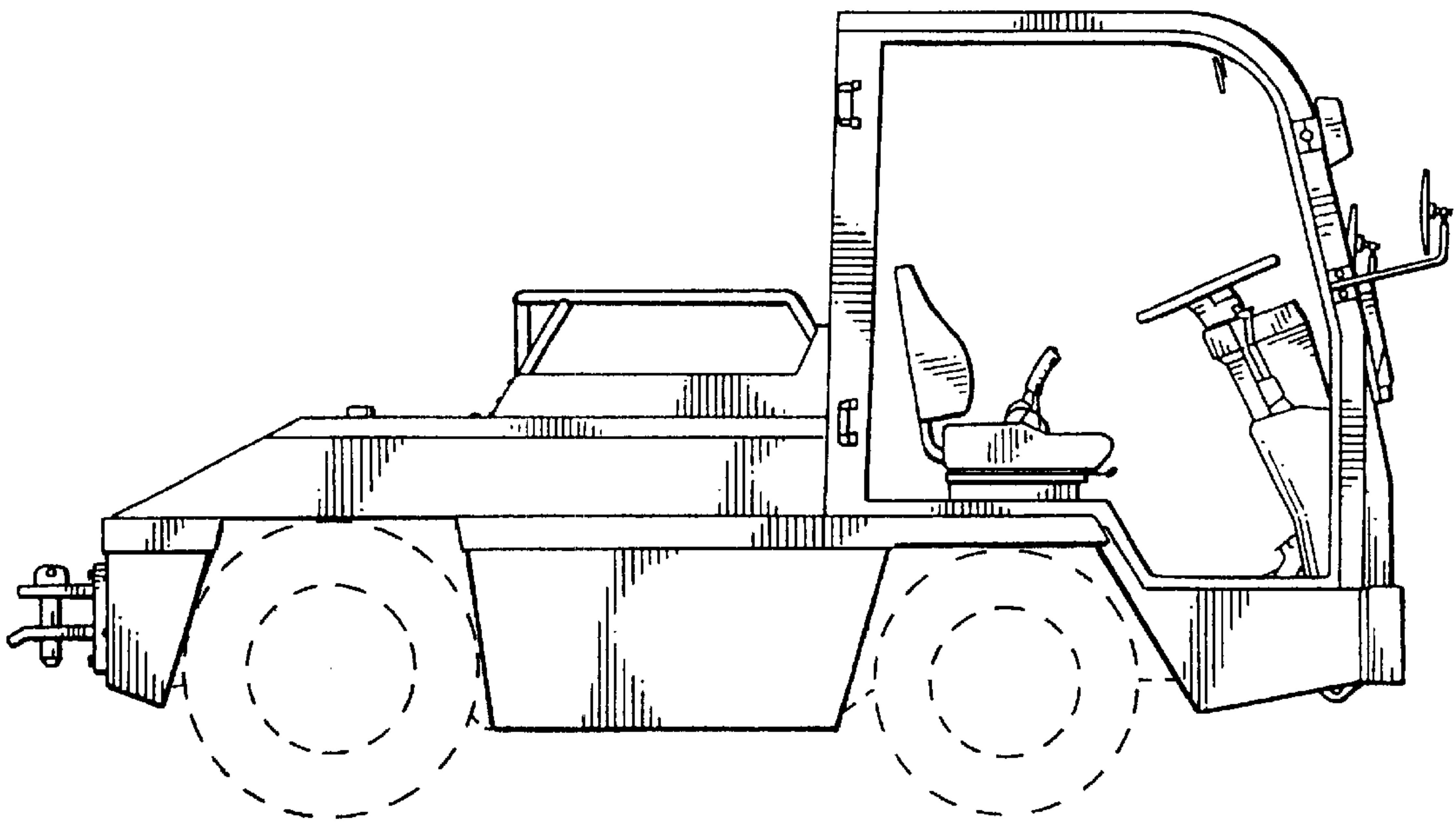


FIG. 4

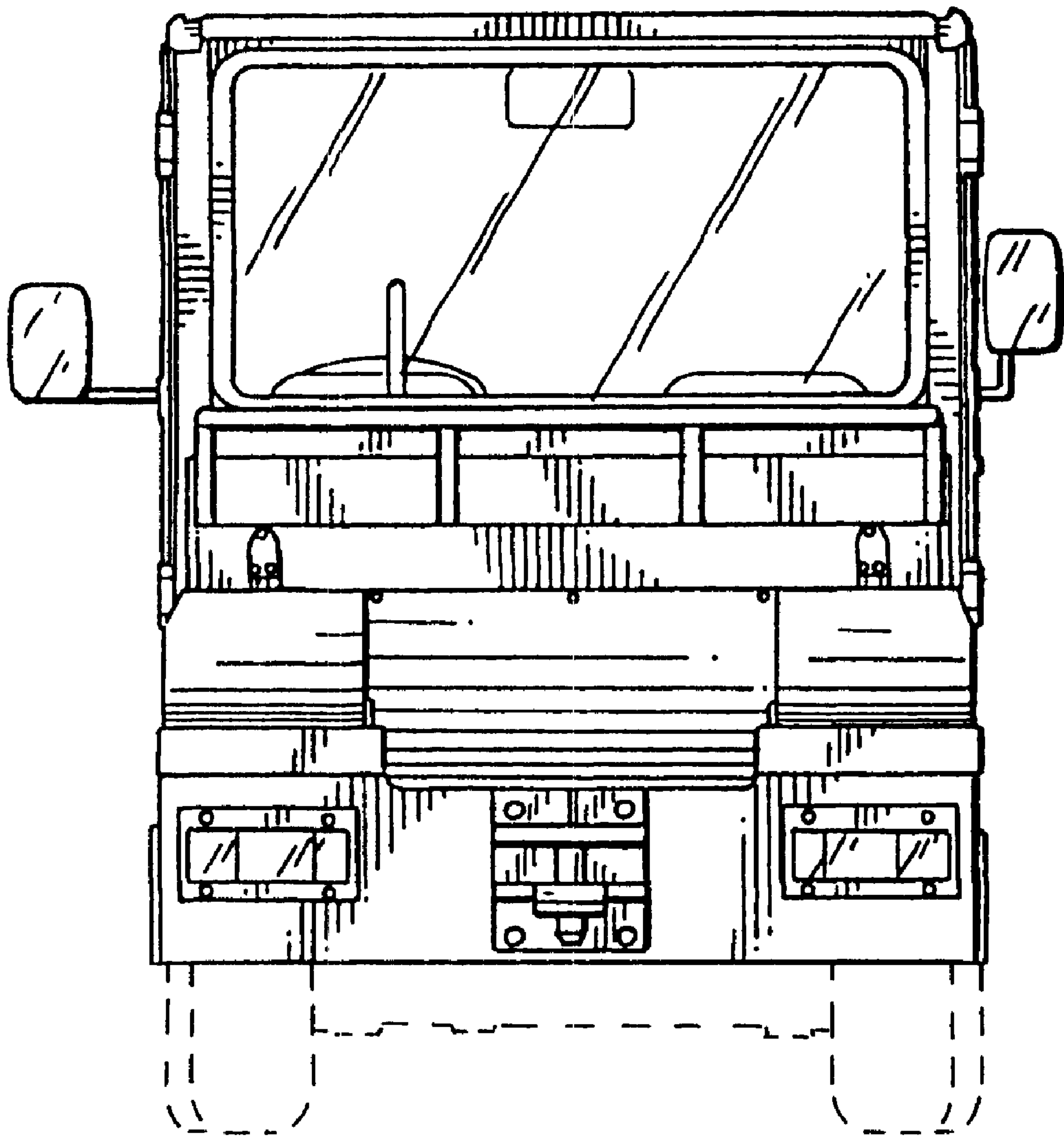


FIG. 5

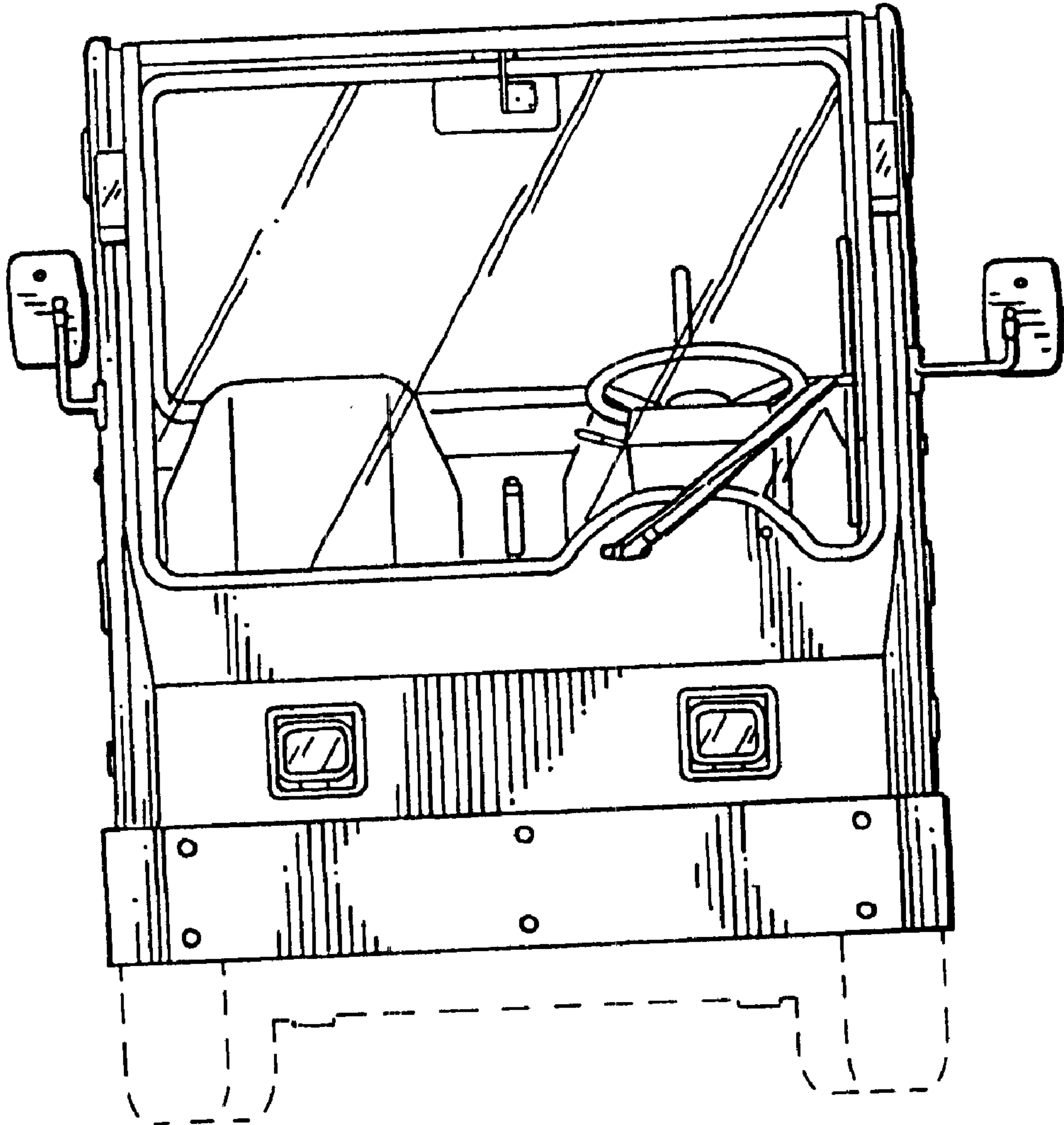


FIG. 6

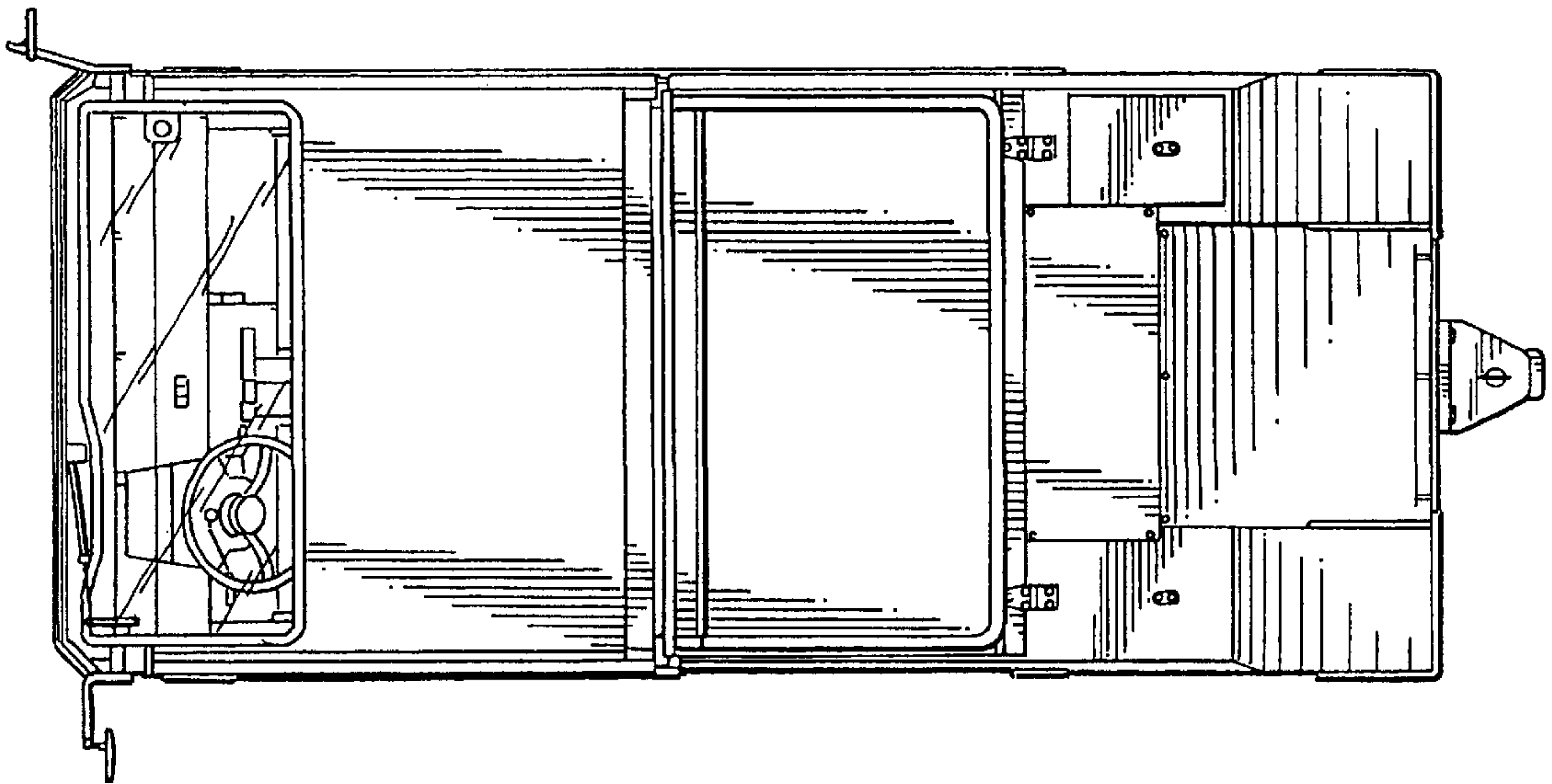


FIG. 7

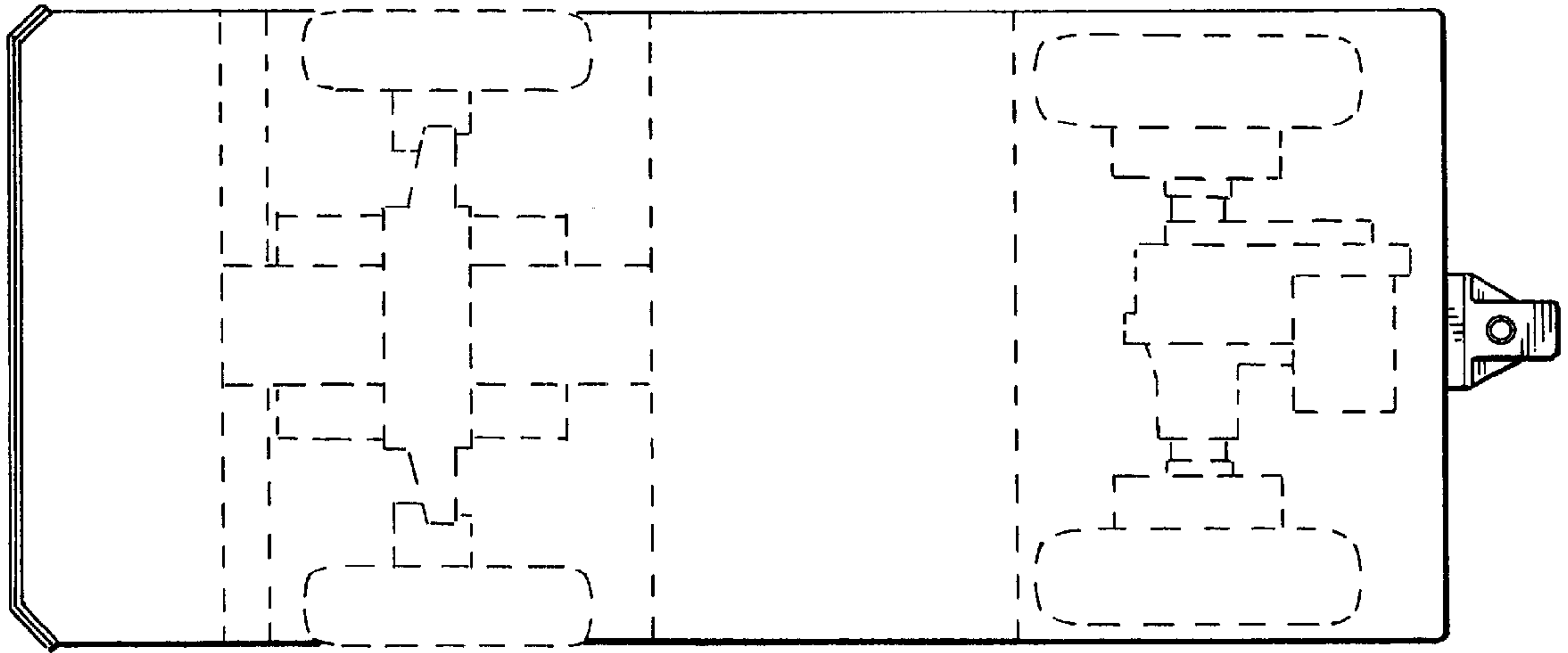


FIG. 8