



US00D463322S

(12) **United States Design Patent** (10) **Patent No.:** **US D463,322 S**
LoVullo et al. (45) **Date of Patent:** **** Sep. 24, 2002**

(54) **BOUQUET HOLDER**

(75) Inventors: **Lori Rhoads LoVullo**, Winfield, IL (US); **Lisa Christine Buzzelli**, Chicago, IL (US)

(73) Assignee: **Wilton Industries, Inc.**, Woodridge, IL (US)

(**) Term: **14 Years**

(21) Appl. No.: **29/146,390**

(22) Filed: **Aug. 8, 2001**

(51) **LOC (7) Cl.** **11-02**

(52) **U.S. Cl.** **D11/149; D11/151**

(58) **Field of Search** D11/143, 144, D11/146, 147, 149, 151, 152, 153, 154; D26/8, 55; 47/41.01, 41.11, 41.12, 41.13, 41.14, 41.15, 66.6; 206/423; 248/27.8; 431/343

(56) **References Cited**

U.S. PATENT DOCUMENTS

- 1,310,055 A * 7/1919 Caldwell 47/41.11
- 1,562,992 A * 11/1925 Schling 47/41.11
- 2,637,143 A * 5/1953 Reynolds et al. 47/41.13

- D308,029 S * 5/1990 Kladt D11/147
- 5,070,644 A * 12/1991 Hasty 47/41.12
- 5,807,093 A * 9/1998 Tendick, Sr. 431/343
- D435,123 S * 12/2000 Lu D26/8
- 6,217,316 B1 * 4/2001 Yeh 431/343
- 6,345,978 B1 * 2/2002 Lu 431/343

* cited by examiner

Primary Examiner—Doris V. Coles

Assistant Examiner—Mimosa De

(74) *Attorney, Agent, or Firm*—Piper Rudnick; R. Blake Johnston

(57) **CLAIM**

The ornamental design for a bouquet holder, as shown.

DESCRIPTION

FIG. 1 is a perspective view of the design;
 FIG. 2 is a front elevational view of the design;
 FIG. 3 is a right side elevational view of the design;
 FIG. 4 is a rear elevational view of the design;
 FIG. 5 is a left side elevational view of the design;
 FIG. 6 is a top plan view of the design; and,
 FIG. 7 is a bottom plan view of the design.
 The broken line showing in FIGS. 1–5 is for illustrative purposes only and forms no part of the claimed design.

1 Claim, 1 Drawing Sheet

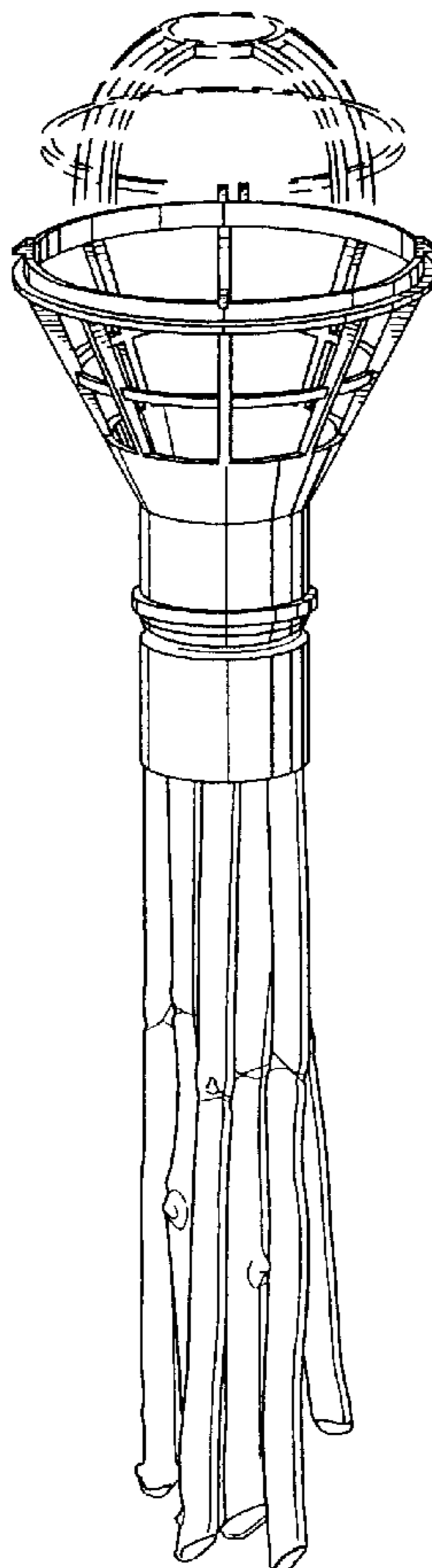


FIG. 1

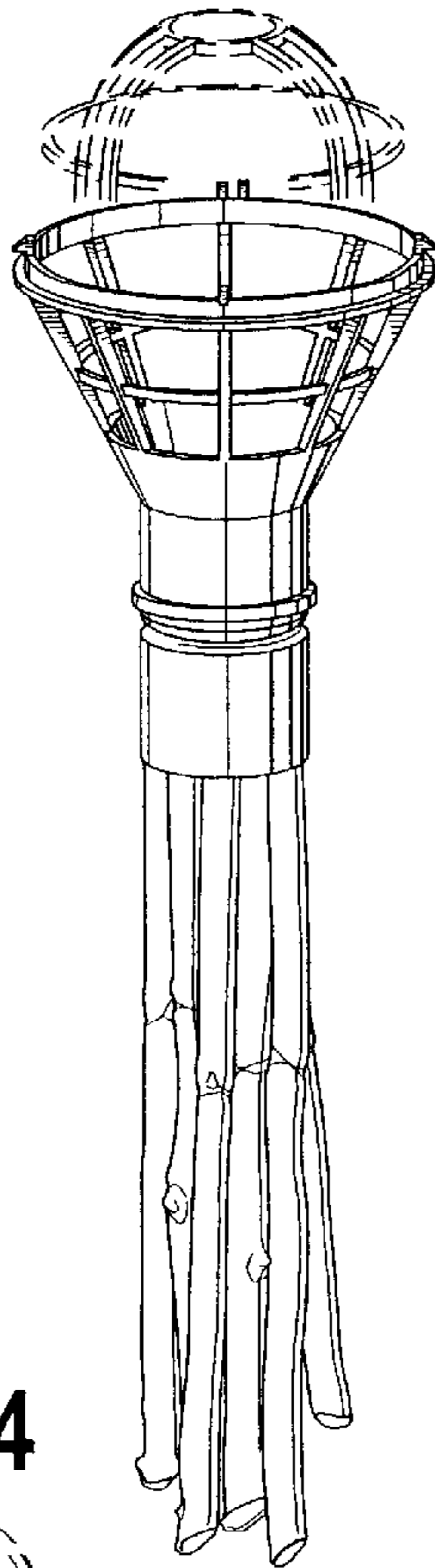


FIG. 2

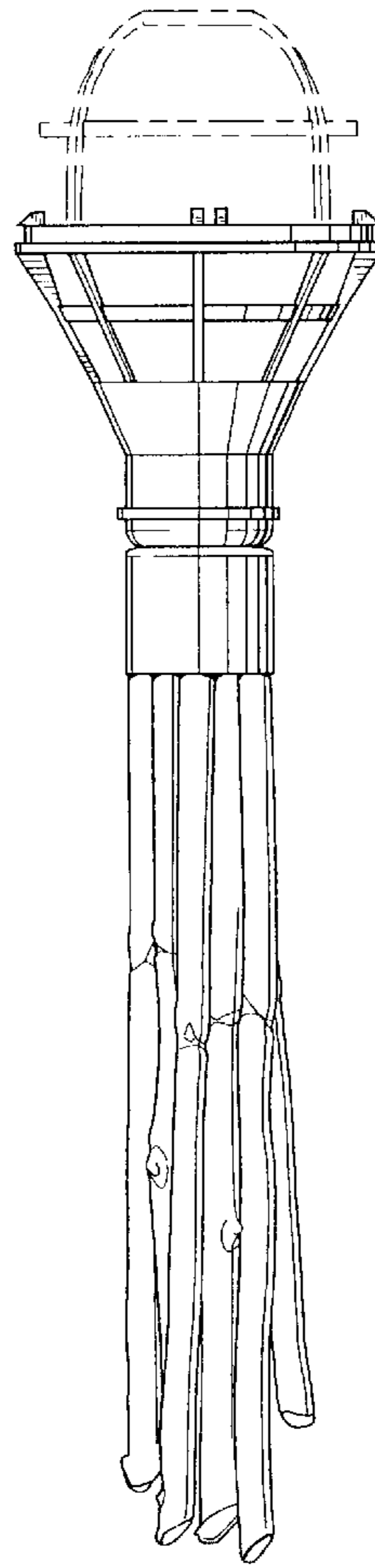


FIG. 3

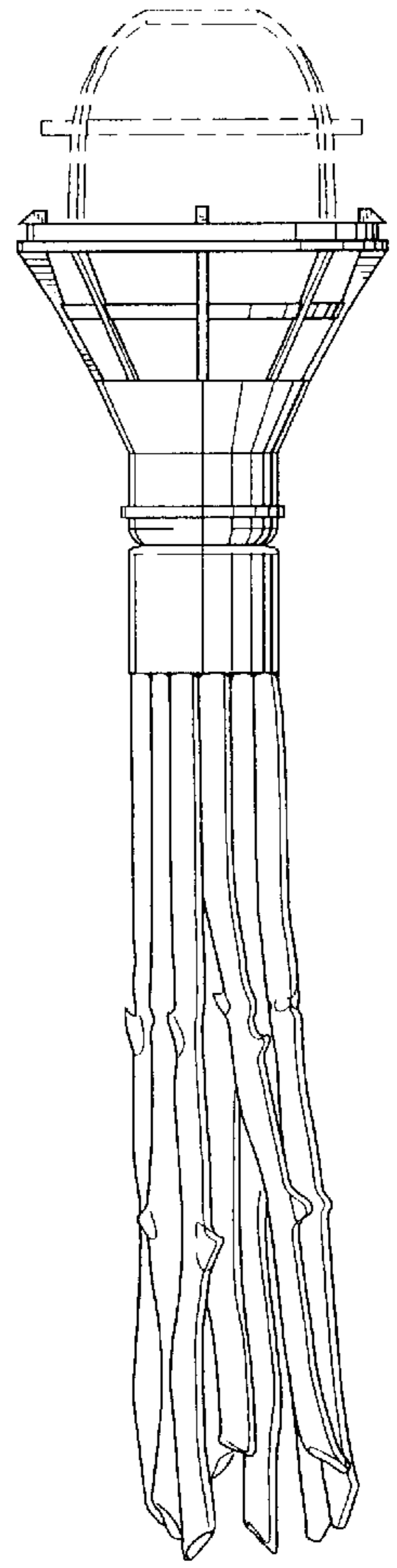


FIG. 4

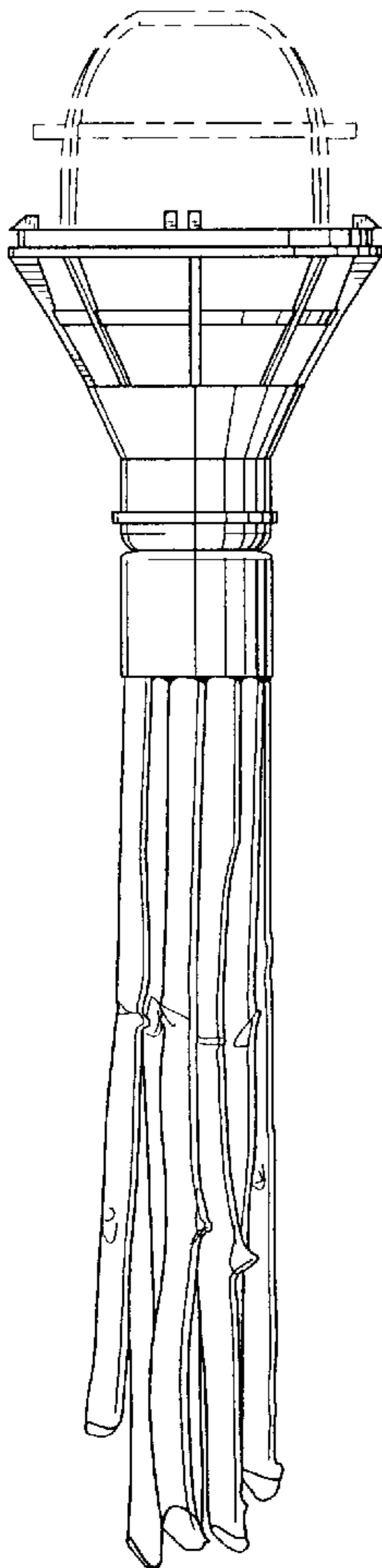


FIG. 5

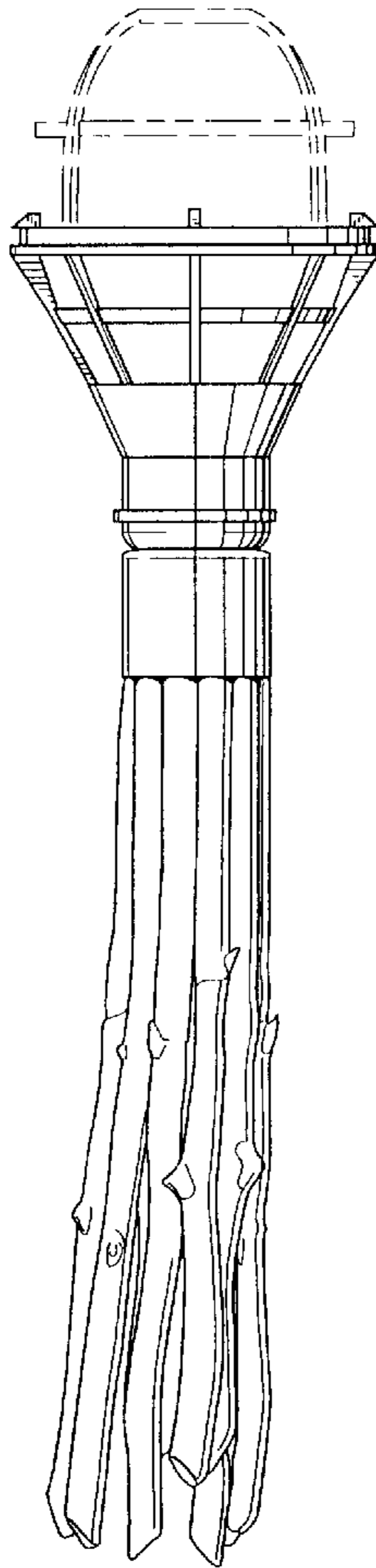


FIG. 6

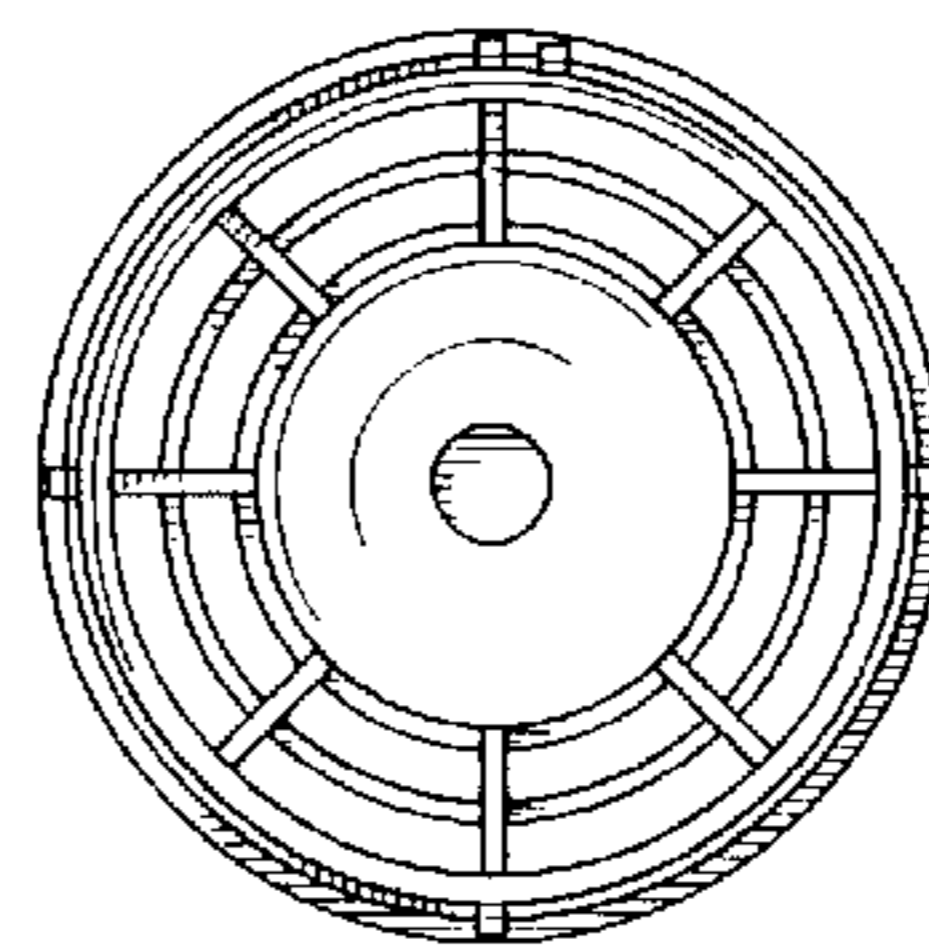


FIG. 7

