



US00D463318S

(12) **United States Design Patent**  
**McKendree**

(10) **Patent No.:** **US D463,318 S**

(45) **Date of Patent:** **\*\* Sep. 24, 2002**

(54) **PLANTER**

(76) Inventor: **Leslie A. McKendree**, 509 Sackman Falls Ct., Canton, GA (US) 30114

(\*\*) Term: **14 Years**

(21) Appl. No.: **29/149,439**

(22) Filed: **Oct. 10, 2001**

(51) **LOC (7) Cl.** ..... **11-02**

(52) **U.S. Cl.** ..... **D11/143; D11/152**

(58) **Field of Search** ..... D11/143, 144, D11/145, 148, 152, 153, 154; D7/553.1, 553.5, 553.6, 555, 701, 707, 708; D26/51, 55; 47/28.1, 39, 65.5, 66.1, 66.3, 66.4, 66.6, 67, 68, 69, 70, 71, 86, 32

(56) **References Cited**

**U.S. PATENT DOCUMENTS**

D170,128 S	*	8/1953	Levy	.....	D26/55
4,395,845 A	*	8/1983	Markowitz	.....	47/32
4,521,464 A	*	6/1985	Chapman	.....	220/4.24
4,597,221 A		7/1986	Adair et al.	.....	47/66
4,708,256 A	*	11/1987	Intardonato	.....	220/23.4
4,821,454 A		4/1989	Wilds	.....	47/41 R
4,847,741 A		7/1989	Boettinger	.....	362/431
5,259,141 A		11/1993	D'Alessandro	.....	47/39
D363,644 S	*	10/1995	Wyatt et al.	.....	D7/553.66
D382,511 S	*	8/1997	Azarian	.....	D11/143
D383,417 S		9/1997	Davis	.....	D11/152
5,711,106 A	*	1/1998	Ellis	.....	47/32
D393,816 S		4/1998	Conner	.....	D11/143
D405,027 S	*	2/1999	McElwain et al.	.....	D11/152
D409,520 S		5/1999	Conner	.....	D11/143
5,918,411 A	*	7/1999	Hadrava	.....	47/28.1
5,960,587 A		10/1999	Brasseur, Jr. et al.	.....	47/86
D416,214 S		11/1999	Conner	.....	D11/143
6,085,459 A		7/2000	Conner	.....	47/41.01
6,161,333 A		12/2000	Poston	.....	47/86
D440,832 S	*	4/2001	Goldsborough	.....	D7/701
D445,358 S	*	7/2001	Simmons	.....	D11/152

\* cited by examiner

*Primary Examiner*—Doris V. Coles

*Assistant Examiner*—Mimosa De

(74) *Attorney, Agent, or Firm*—Brinks Hofer Gilson & Lione

(57) **CLAIM**

The ornamental design for a planter, as shown and described.

**DESCRIPTION**

FIG. 1 is a front perspective view of a planter according to my new design.

FIG. 2 is a top plan view of the planter shown in FIG. 1.

FIG. 3 is a front elevation view of the planter shown FIG. 1.

FIG. 4 is a bottom plan view of the planter shown in FIG. 1.

FIG. 5 is side elevation view of the planter shown in FIG. 1, the opposite side being the mirror image thereof.

FIG. 6 is a back elevation view of the planter shown FIG. 1.

FIG. 7 is a perspective view, the broken line showing of the facing planter is for illustrative purposes only and forms no part of the claimed design.

FIG. 8 is a top plan view of the planter shown separately without the tray for ease of illustration.

FIG. 9 is a front elevation view of the planter shown in FIG. 8.

FIG. 10 is a side elevation view of the planter shown in FIG. 8, the opposite side being the mirror image thereof.

FIG. 11 is a bottom plan view of the planter shown in FIG. 8.

FIG. 12 is a back elevation view of the planter shown in FIG. 8.

FIG. 13 is a top plan view of the tray shown separately without the planter for ease of illustration.

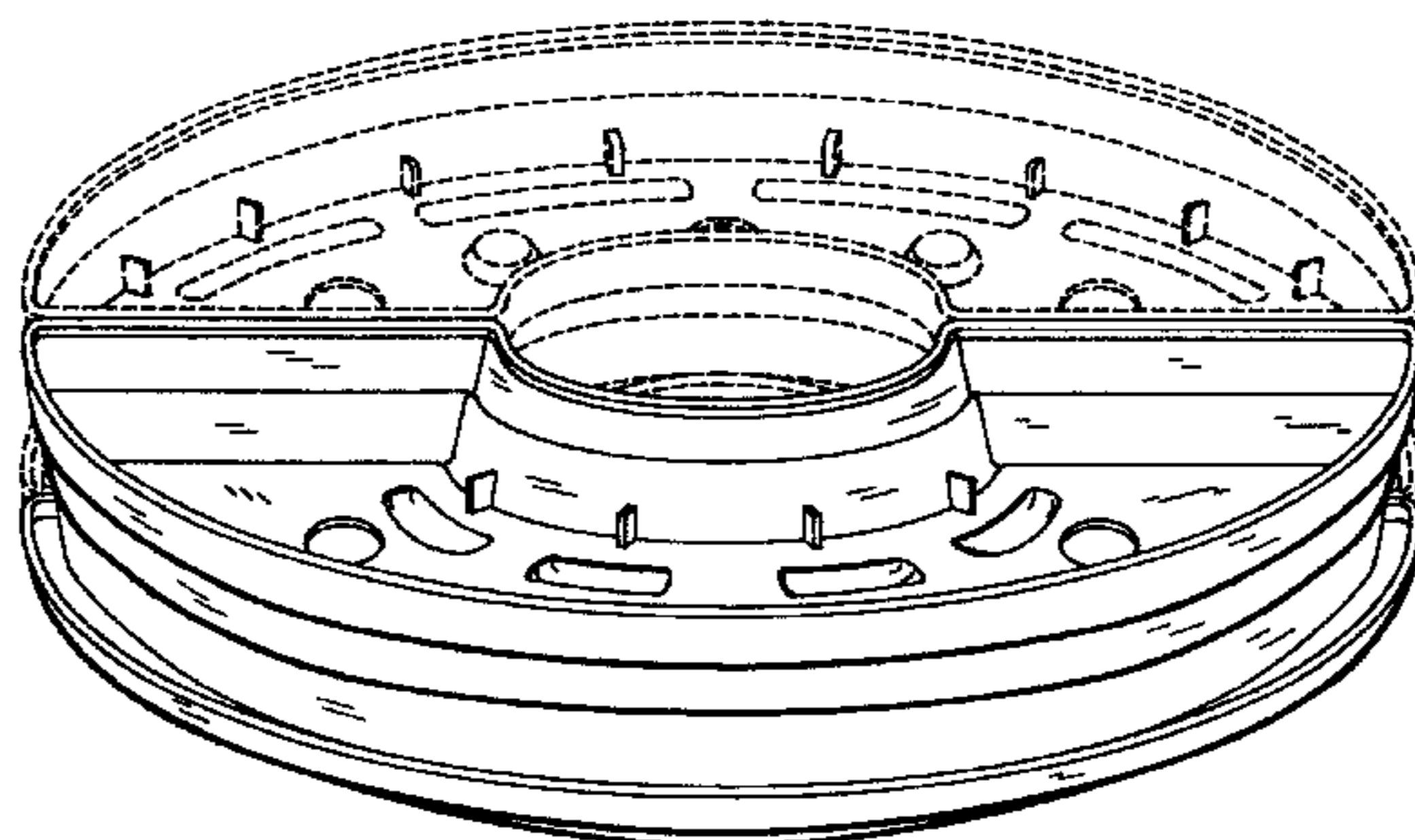
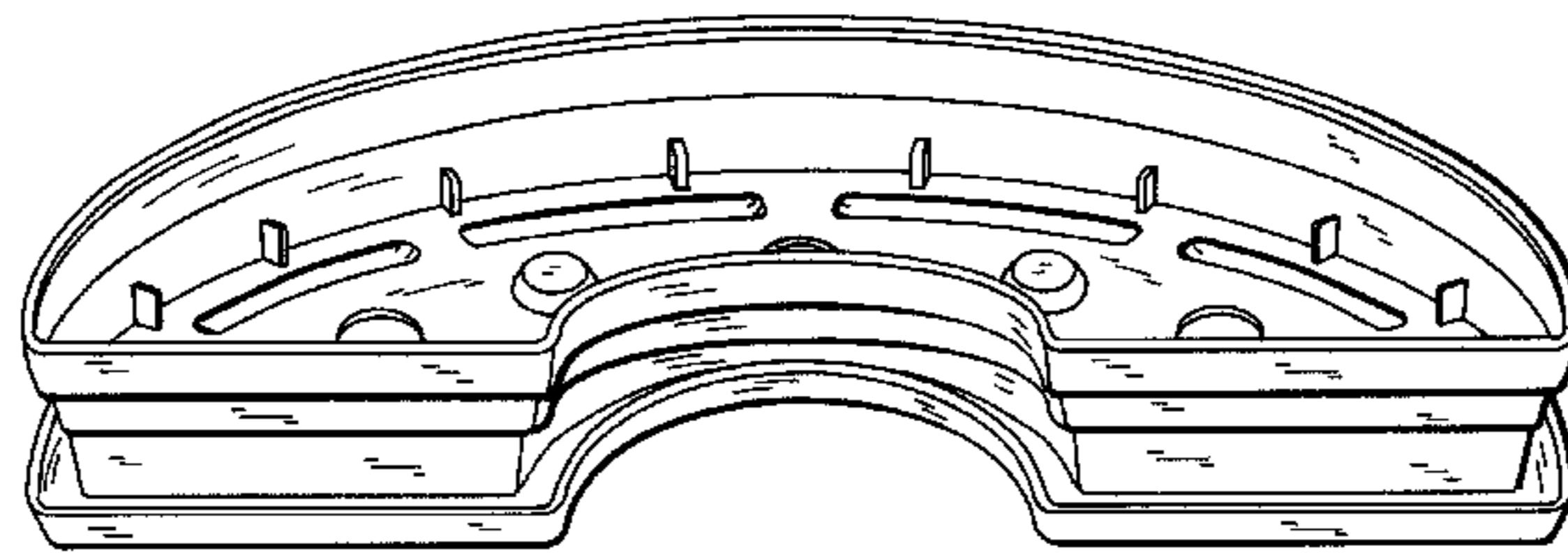
FIG. 14 is a front elevation view of the tray shown in FIG. 13.

FIG. 15 is a side elevation view of the tray shown in FIG. 13, the opposite side being the mirror image thereof.

FIG. 16 is a bottom plan view of the tray shown in FIG. 13; and,

FIG. 17 is a back elevation view of the tray shown FIG. 13.

**1 Claim, 7 Drawing Sheets**



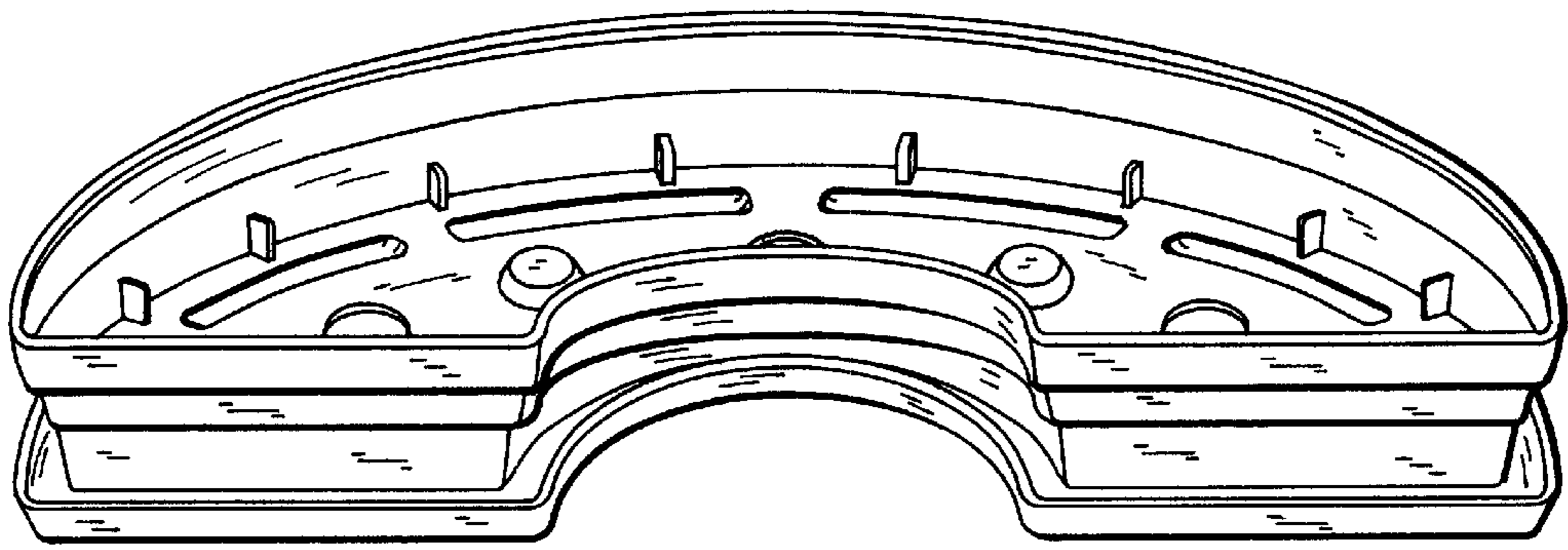


FIG. 1

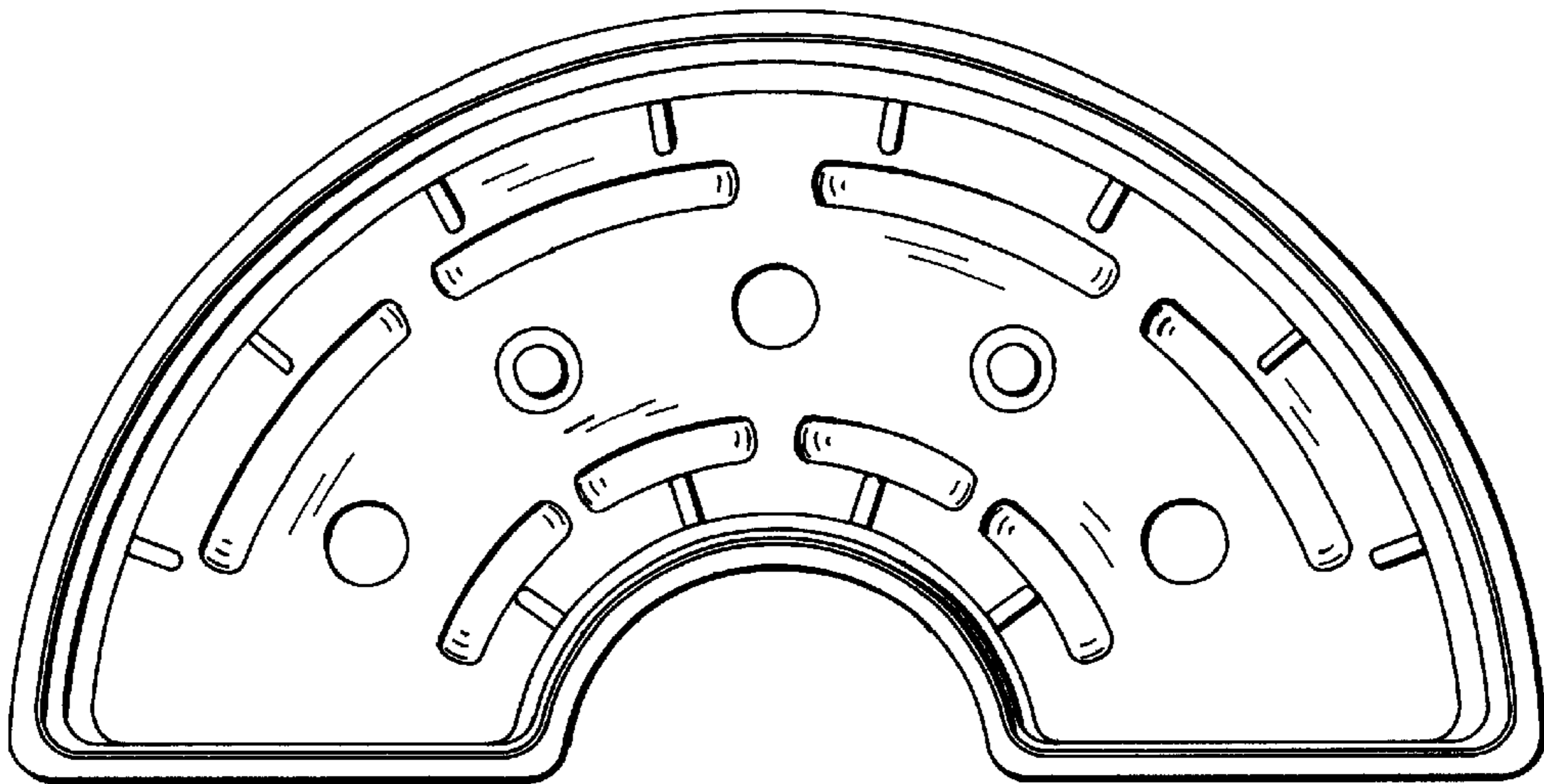


FIG. 2

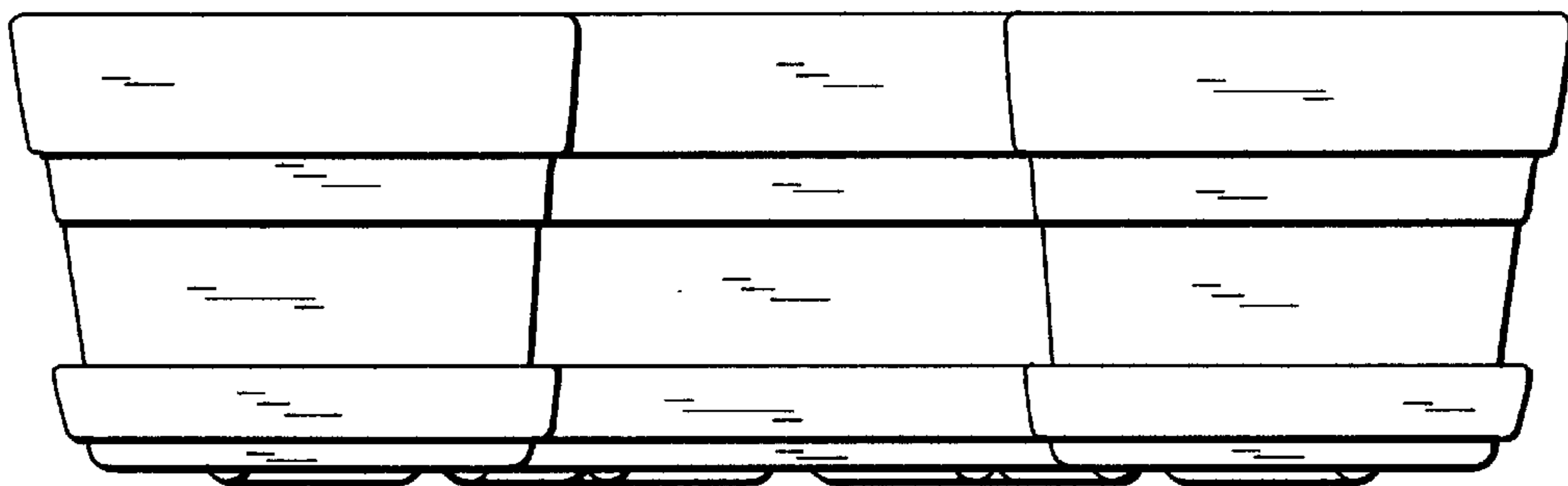


FIG. 3

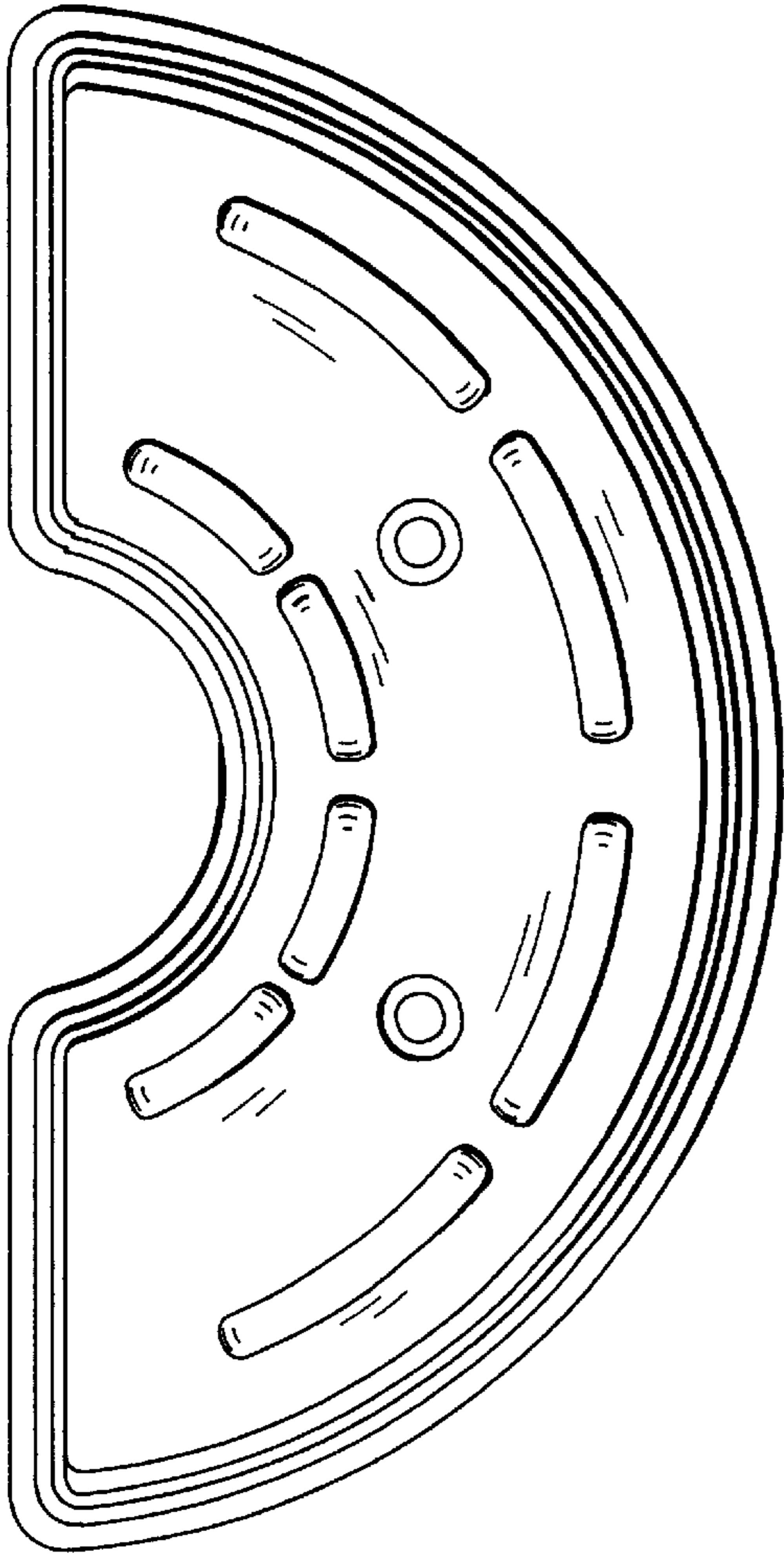


FIG. 4

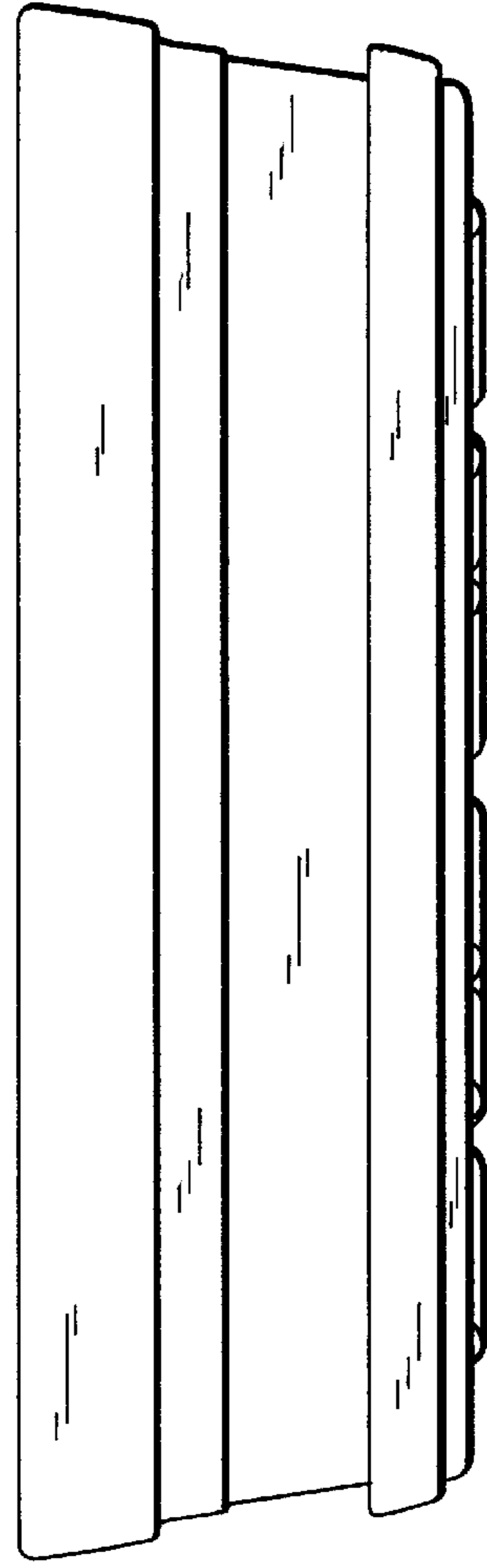


FIG. 6

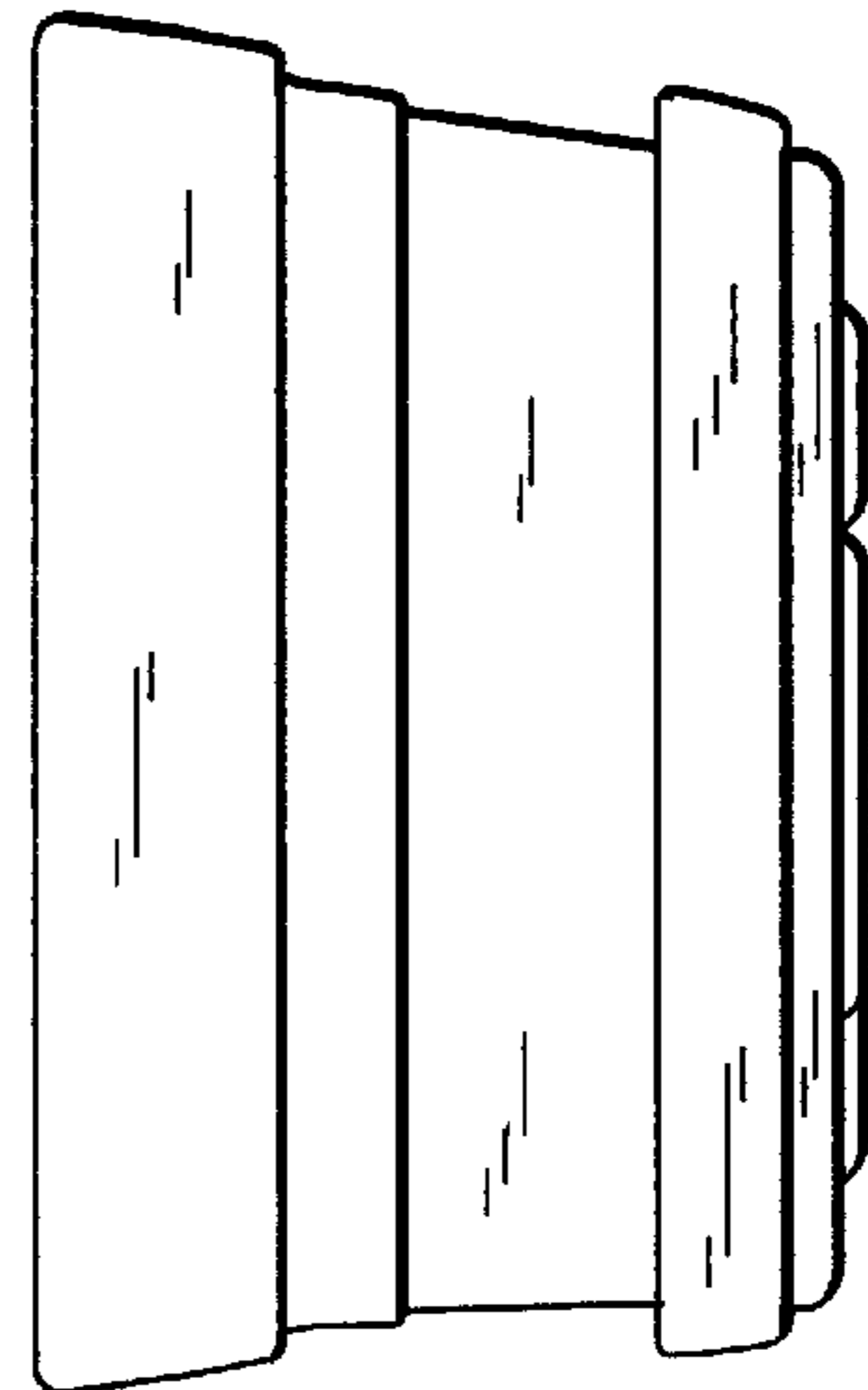


FIG. 5



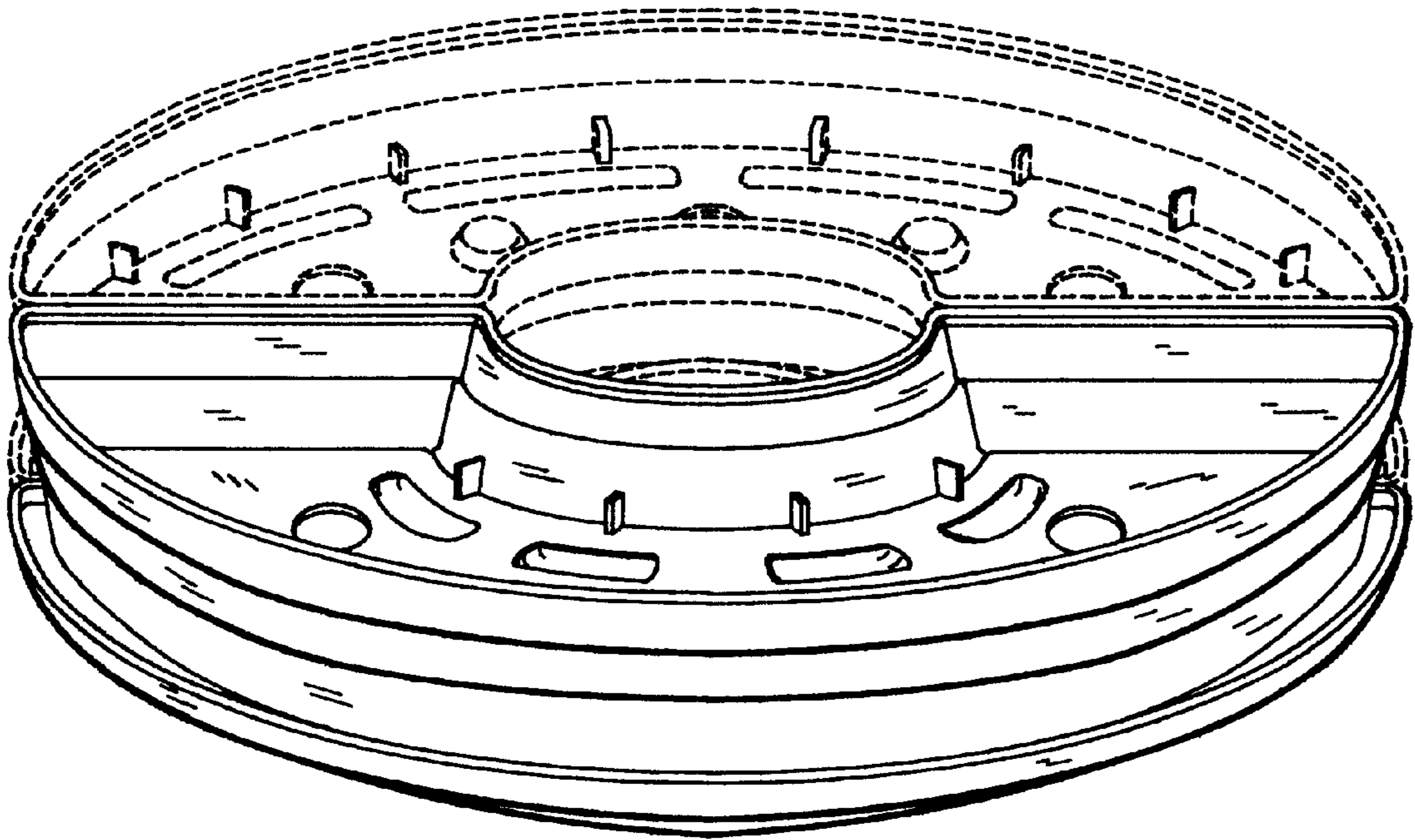


FIG. 7

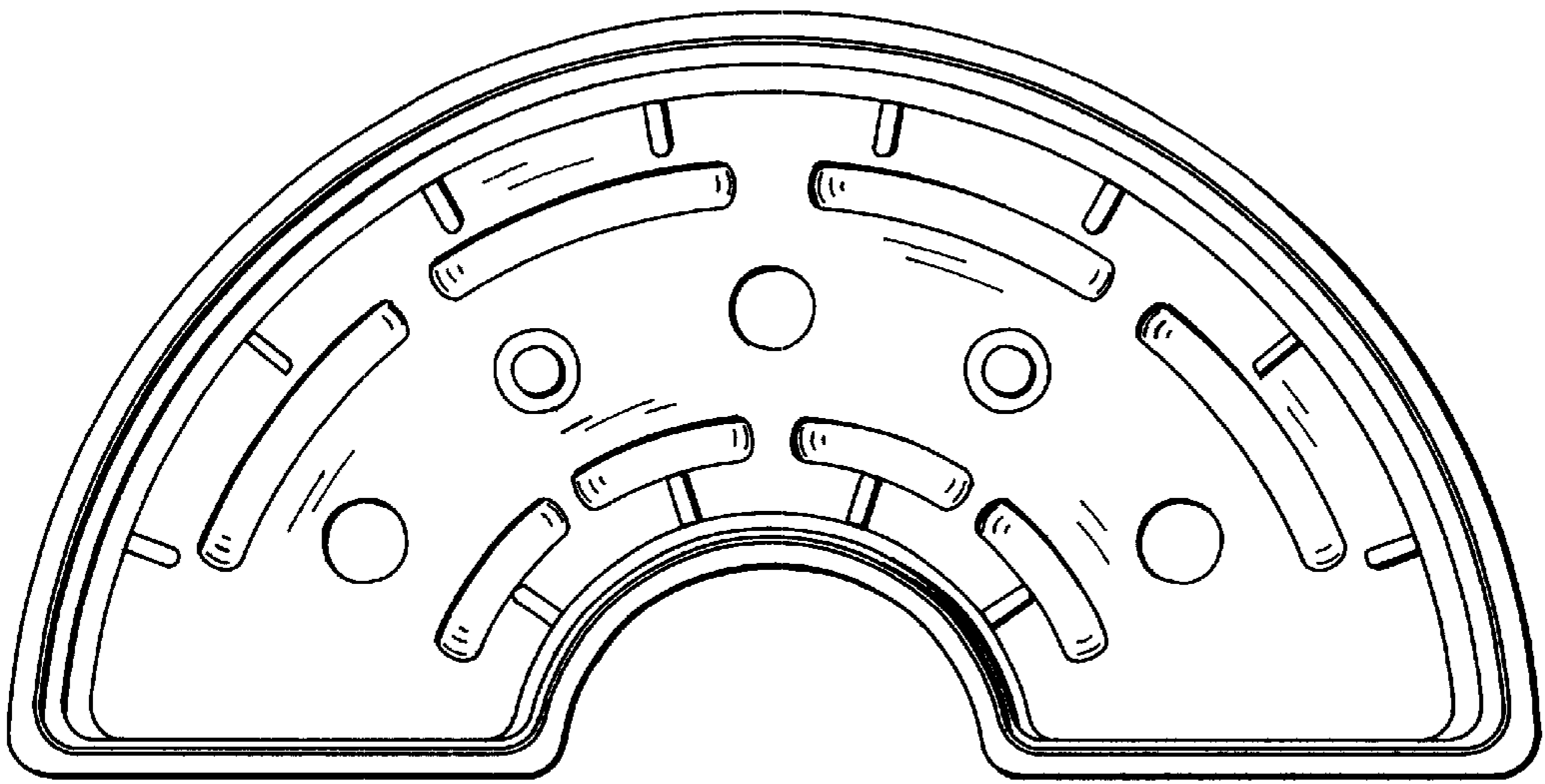


FIG. 8

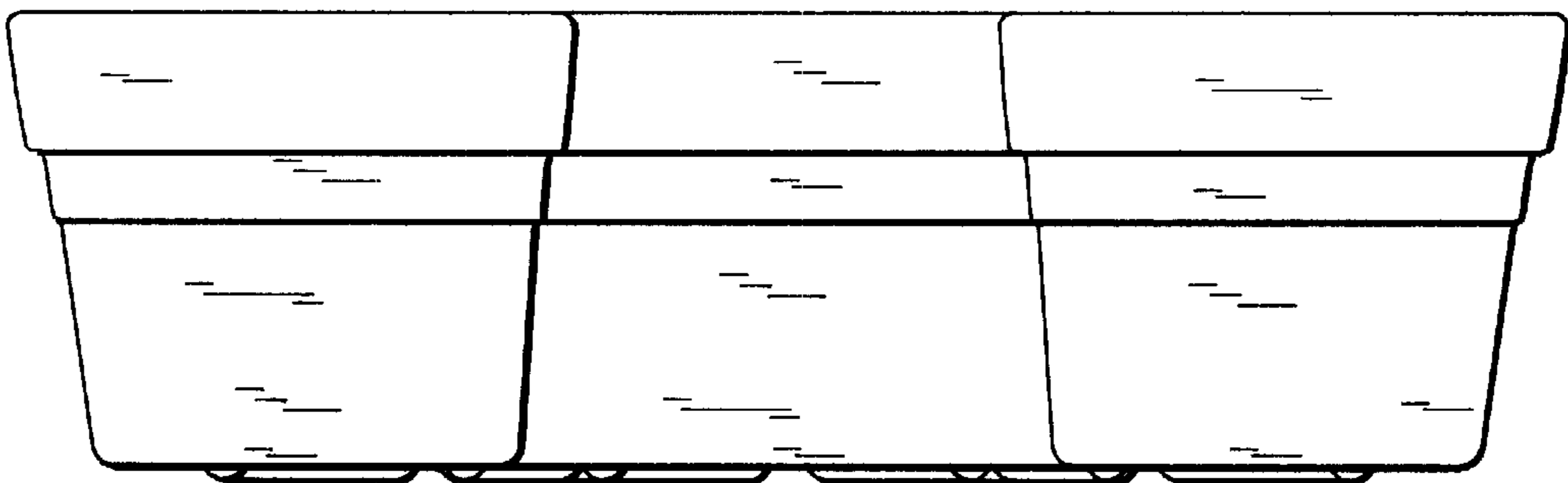


FIG. 9

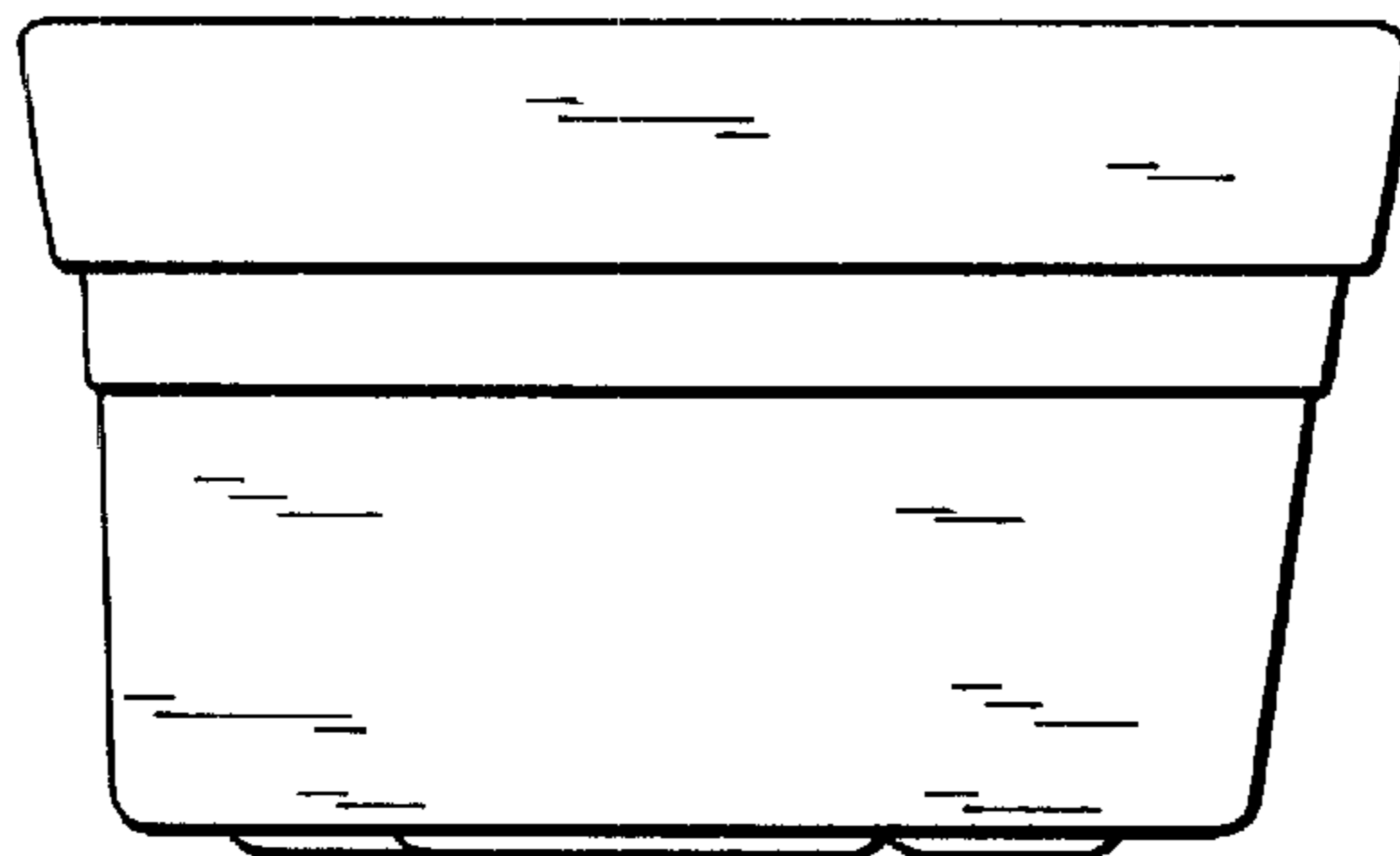


FIG. 10

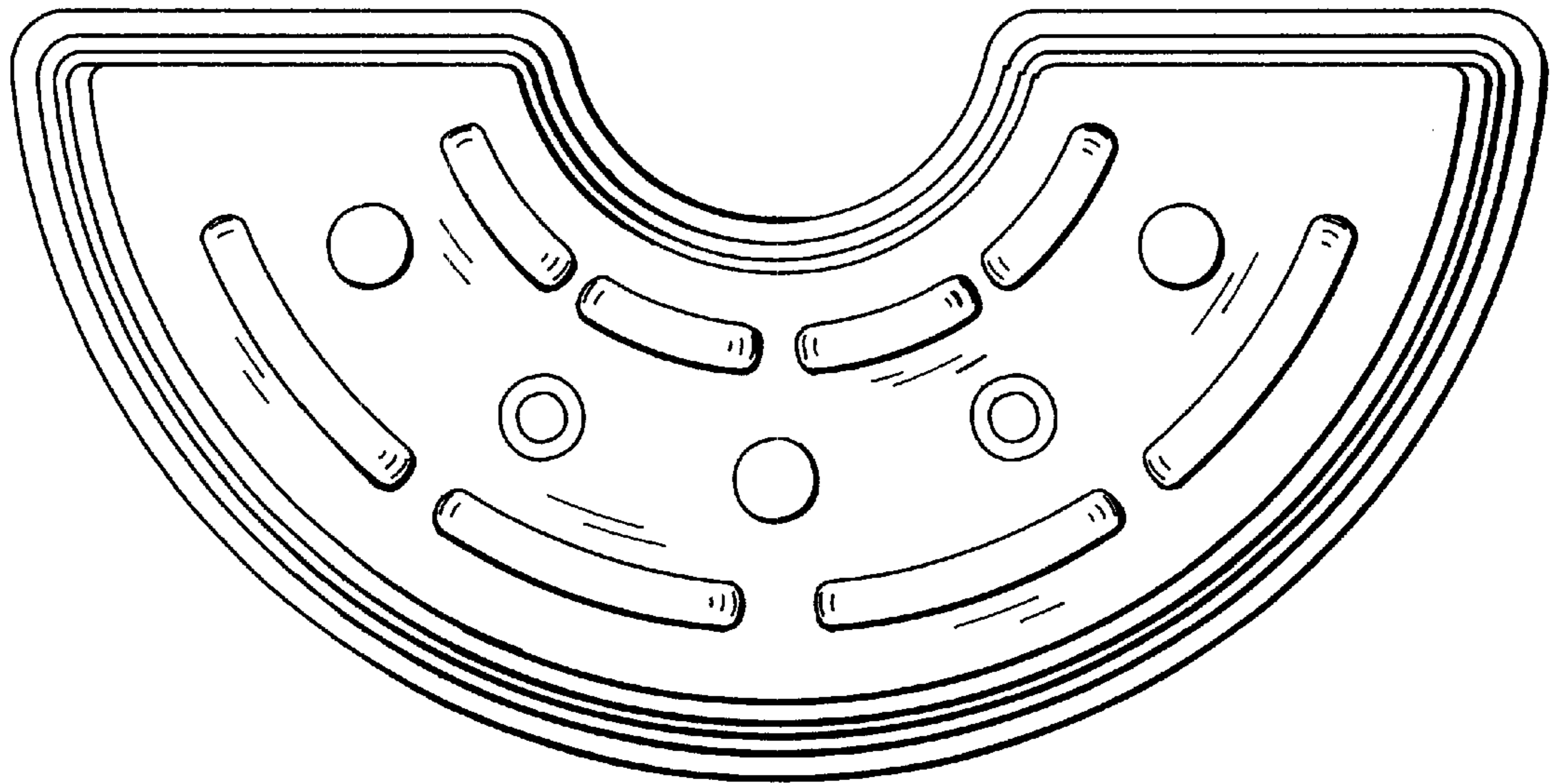


FIG. 11

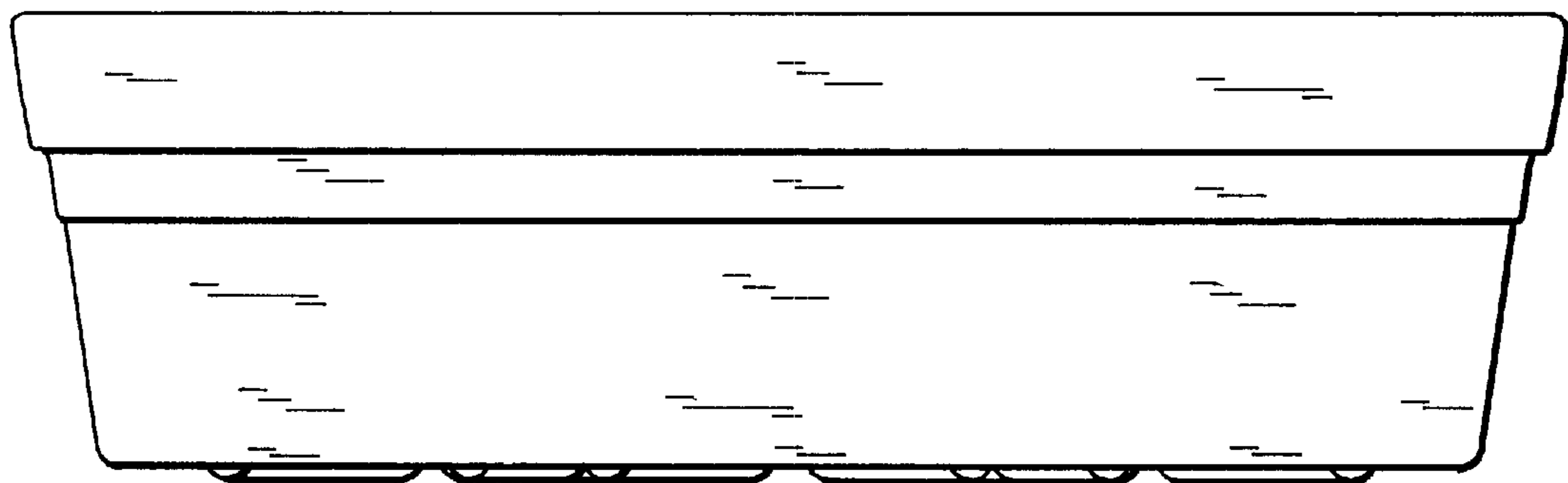


FIG. 12

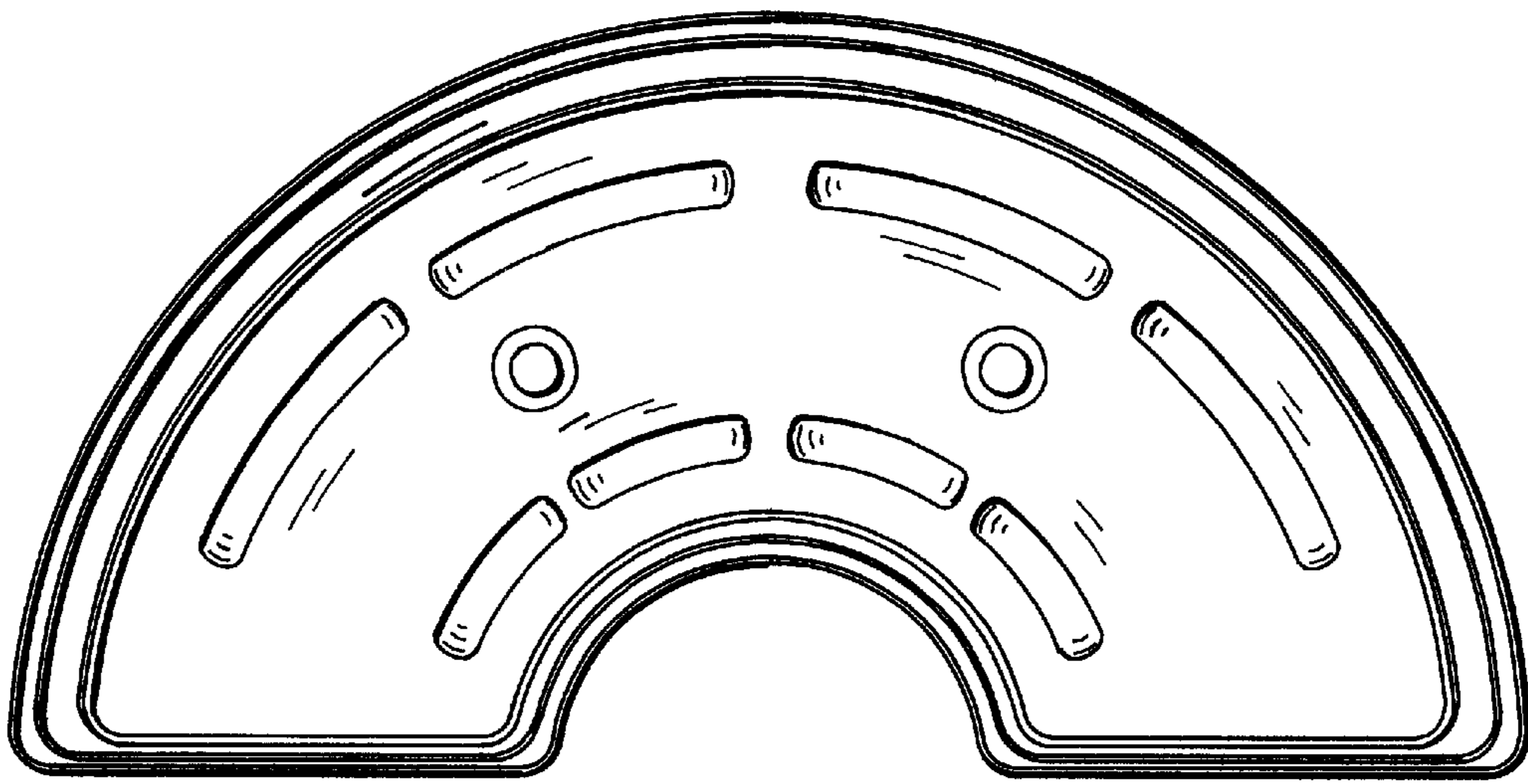


FIG. 13

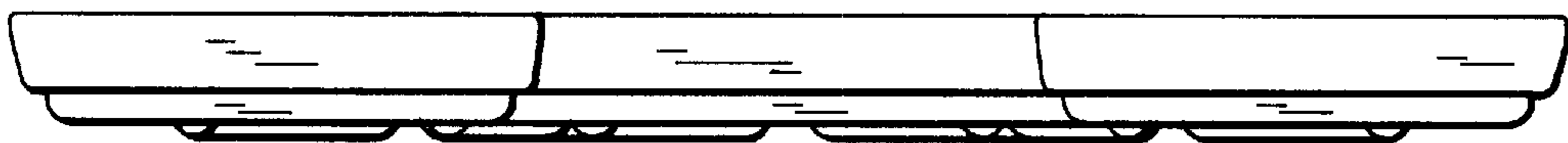


FIG. 14

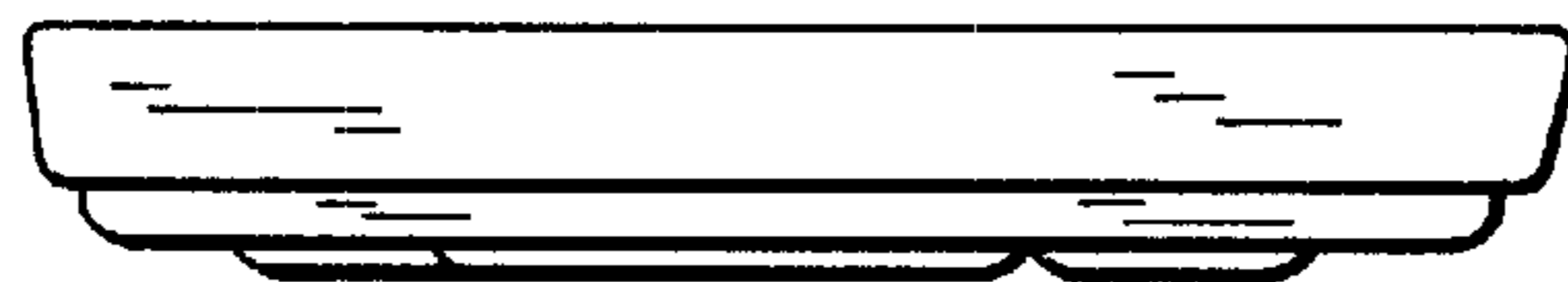


FIG. 15

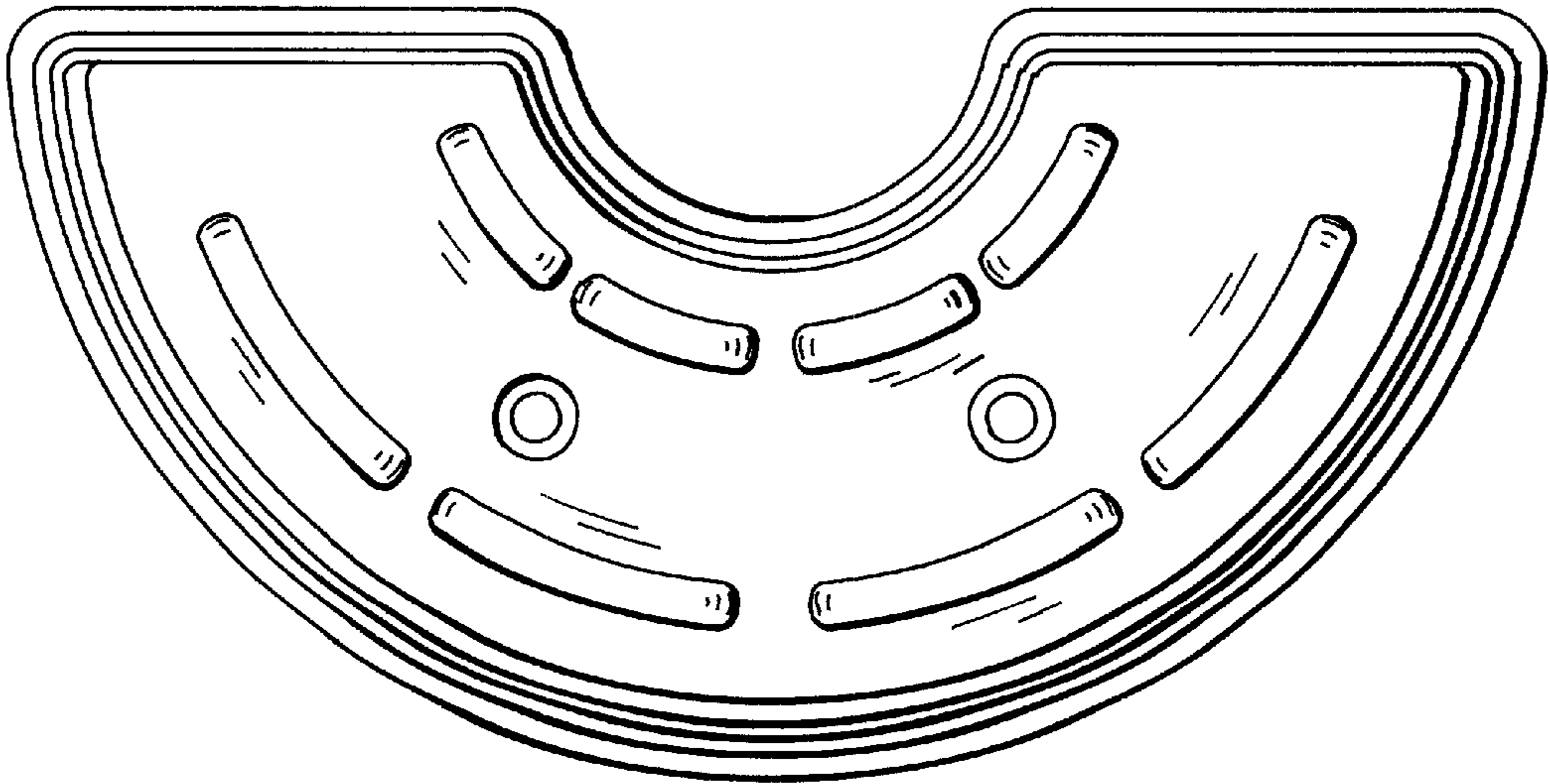


FIG. 16

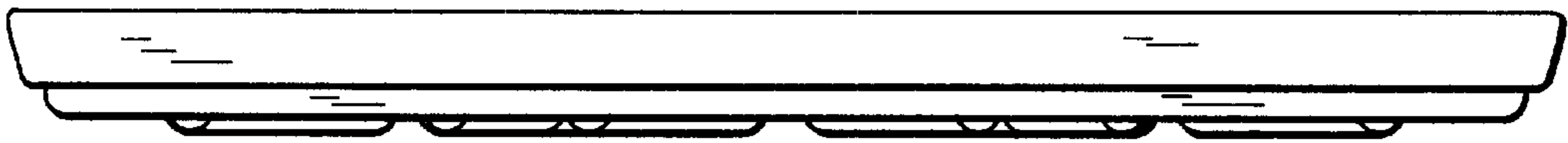


FIG. 17