



US00D463309S

(12) **United States Design Patent**
Tucker

(10) **Patent No.:** **US D463,309 S**

(45) **Date of Patent:** **** Sep. 24, 2002**

(54) **RING**

(76) **Inventor:** **Henry L Tucker**, 2717 W. Flournoy,
Chicago, IL (US) 60612

(**) **Term:** **14 Years**

(21) **Appl. No.:** **29/148,858**

(22) **Filed:** **Sep. 28, 2001**

(51) **LOC (7) Cl.** **11-01**

(52) **U.S. Cl.** **D11/26**

(58) **Field of Search** D11/26-39, 3,
D11/4, 48; 63/15, 15.1, 15.2, 15.3, 15.4,
15.45, 15.5, 15.6, 15.65, 15.7, 15.8, 15.9,
26-28, 3

(56) **References Cited**

U.S. PATENT DOCUMENTS

D136,039 S	*	7/1943	Lampl	D11/38
2,585,183 A		2/1952	Stern		
D177,596 S		5/1956	Silver		
D207,177 S	*	3/1967	Sager	D11/26
D237,997 S	*	12/1975	Poulin	D11/30
D365,038 S		12/1995	Merritt		
5,606,873 A		3/1997	Zeller et al.		
D404,332 S	*	1/1999	Perrin et al.	D11/26

D404,335 S	*	1/1999	Perrin et al.	D11/29
D405,384 S		2/1999	Dickhaut		
D421,404 S		3/2000	Canale		

* cited by examiner

Primary Examiner—Cathy Anne MacCormac

(57) **CLAIM**

The ornamental design for a ring, as shown and described.

DESCRIPTION

FIG. 1 is a front elevational view of the ring of the present invention;

FIG. 2 is a rear elevational view of the ring of FIG. 1;

FIG. 3 is a left side elevational view of the ring of FIG. 1;

FIG. 4 is a right side elevational view of the ring of FIG. 1;

FIG. 5 is a top plan view of the ring of FIG. 1; and,

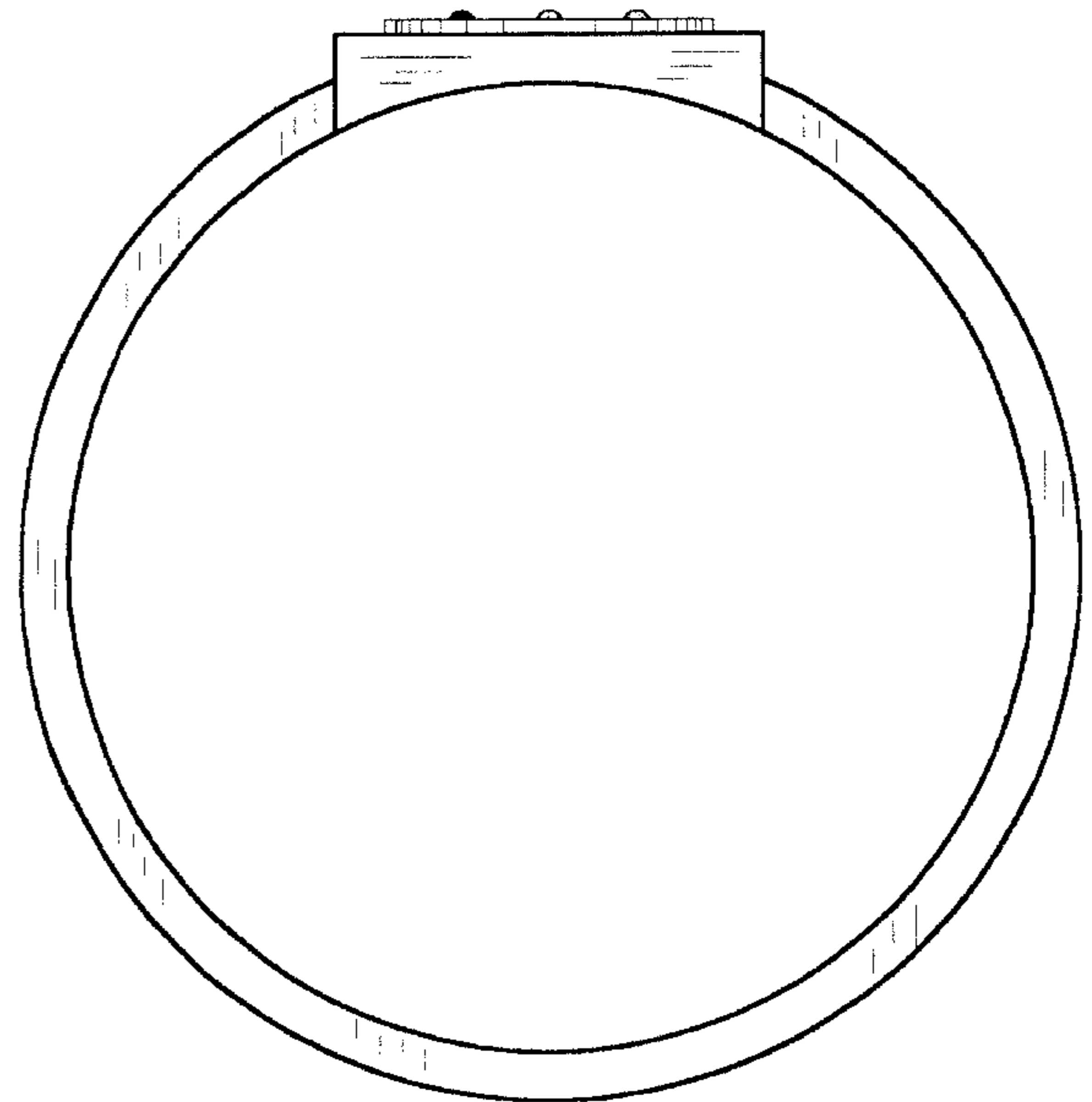
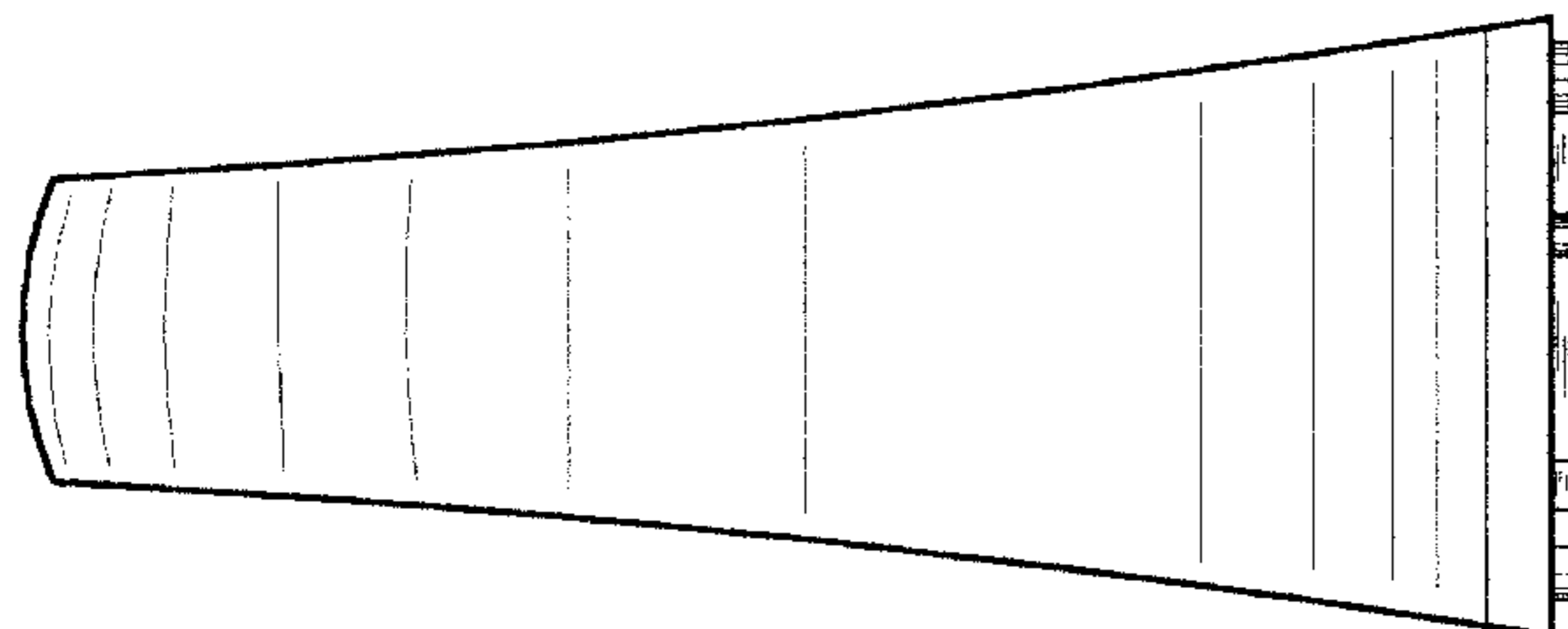
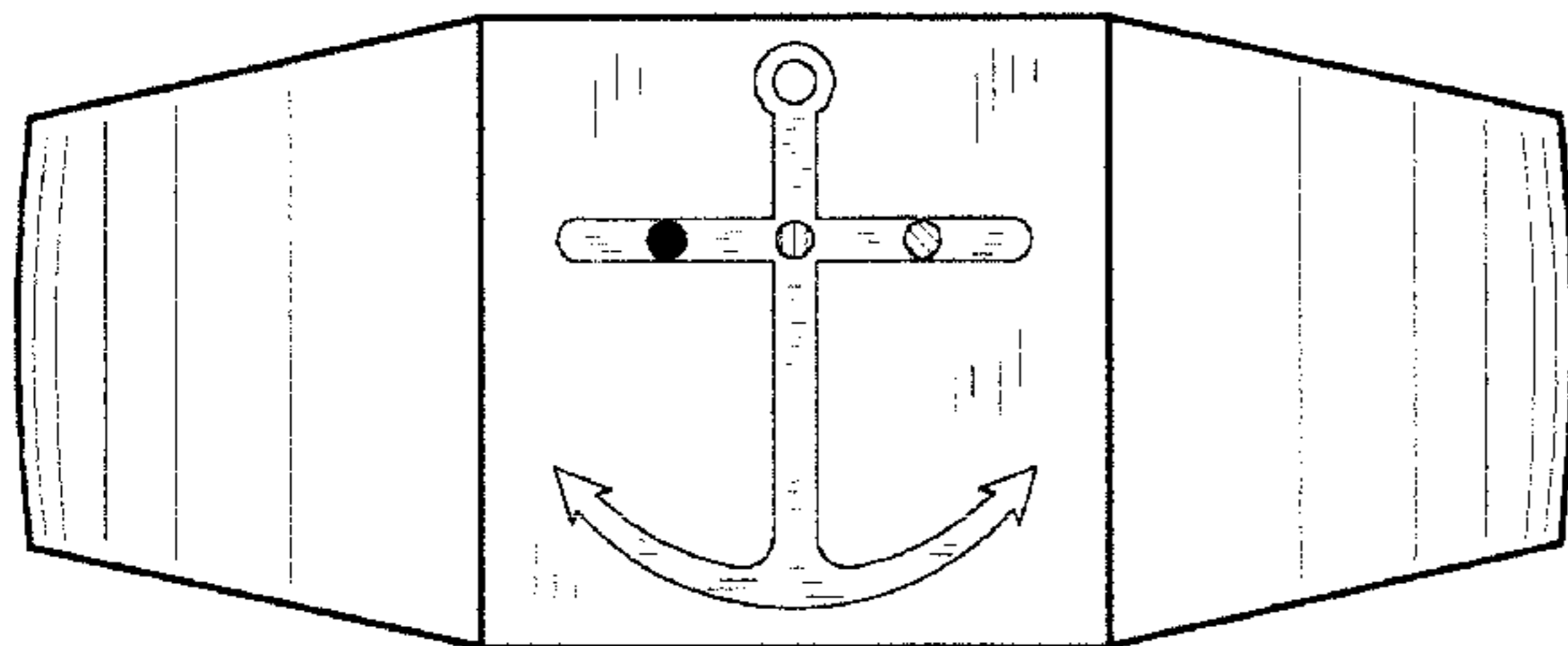
FIG. 6 is a bottom plan view of the ring of FIG. 1.

The solid black marking shown in FIGS. 1,3,5 and 6 represent the color black.

The vertical hatching shown in FIGS. 1, 5 and 6 represent the color red.

The slanted hatching shown in FIGS. 1,4,5 and 6 represent the color green.

1 Claim, 2 Drawing Sheets



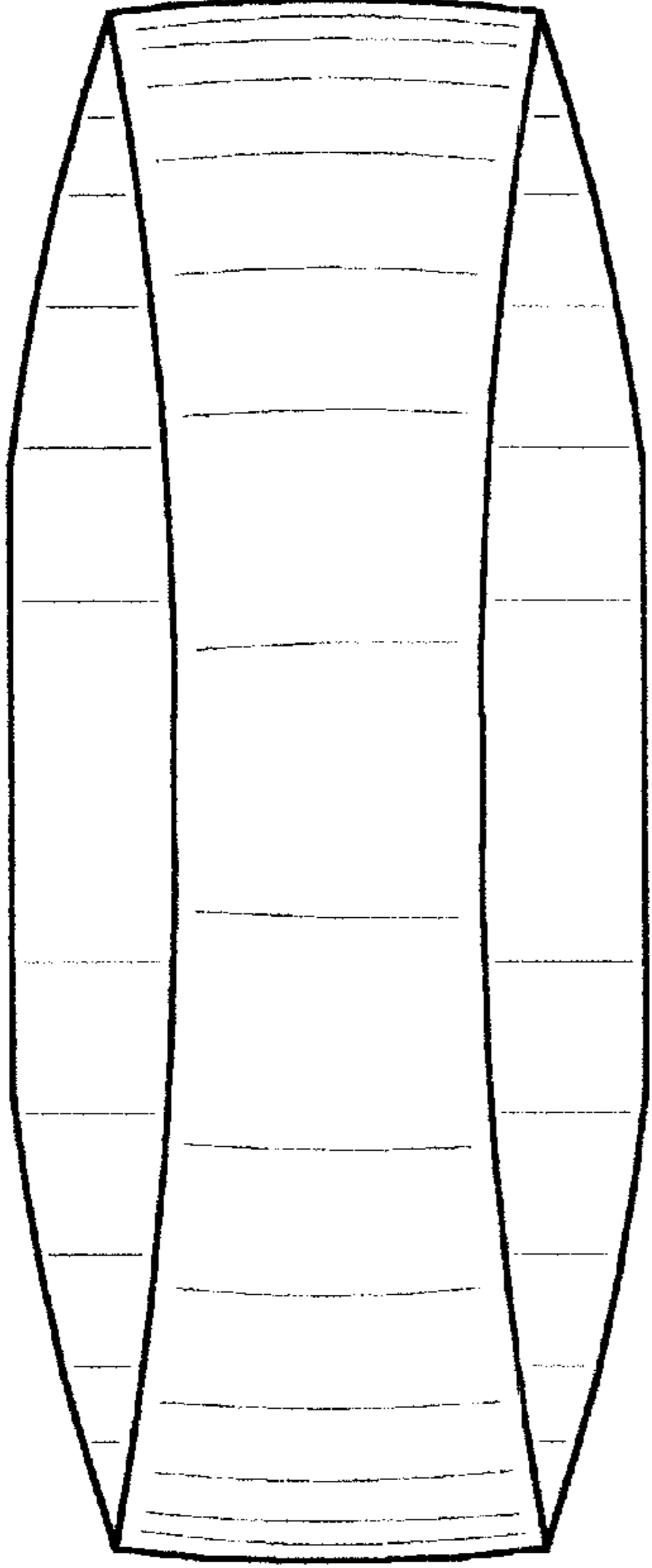


FIG. 2

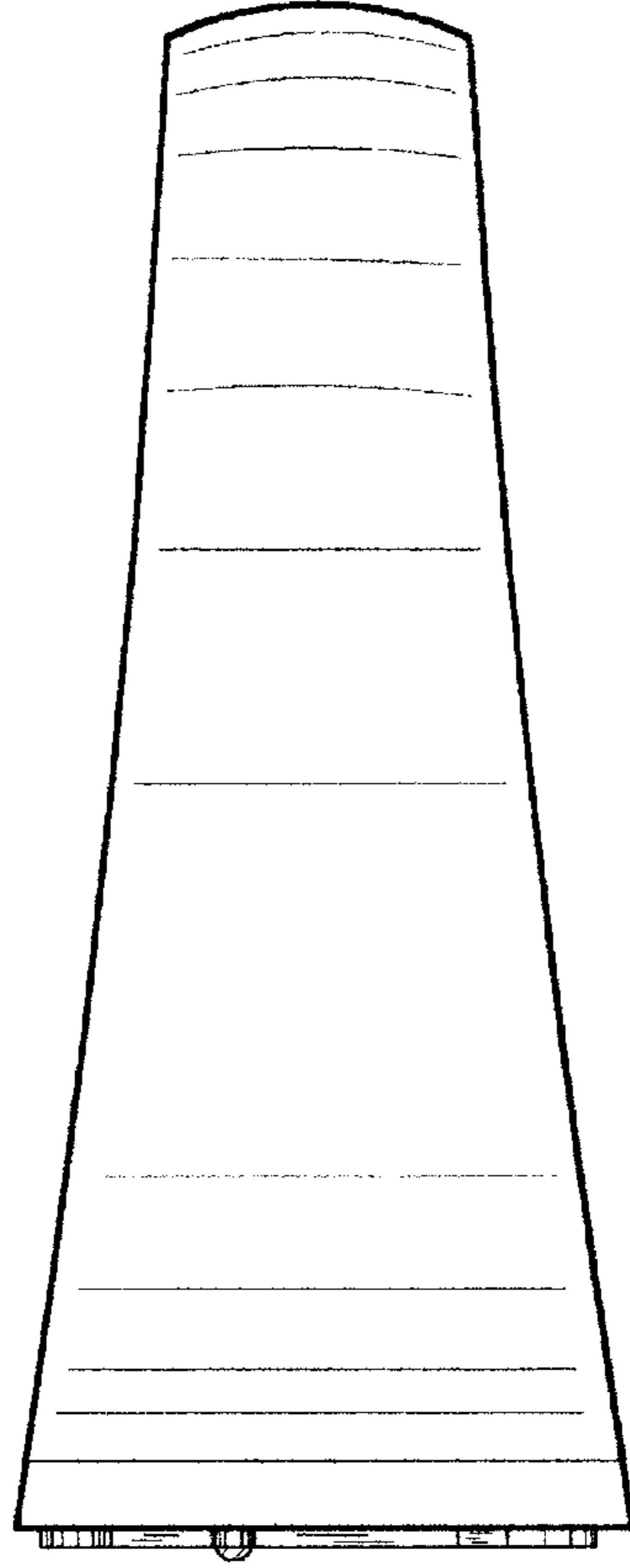


FIG. 4

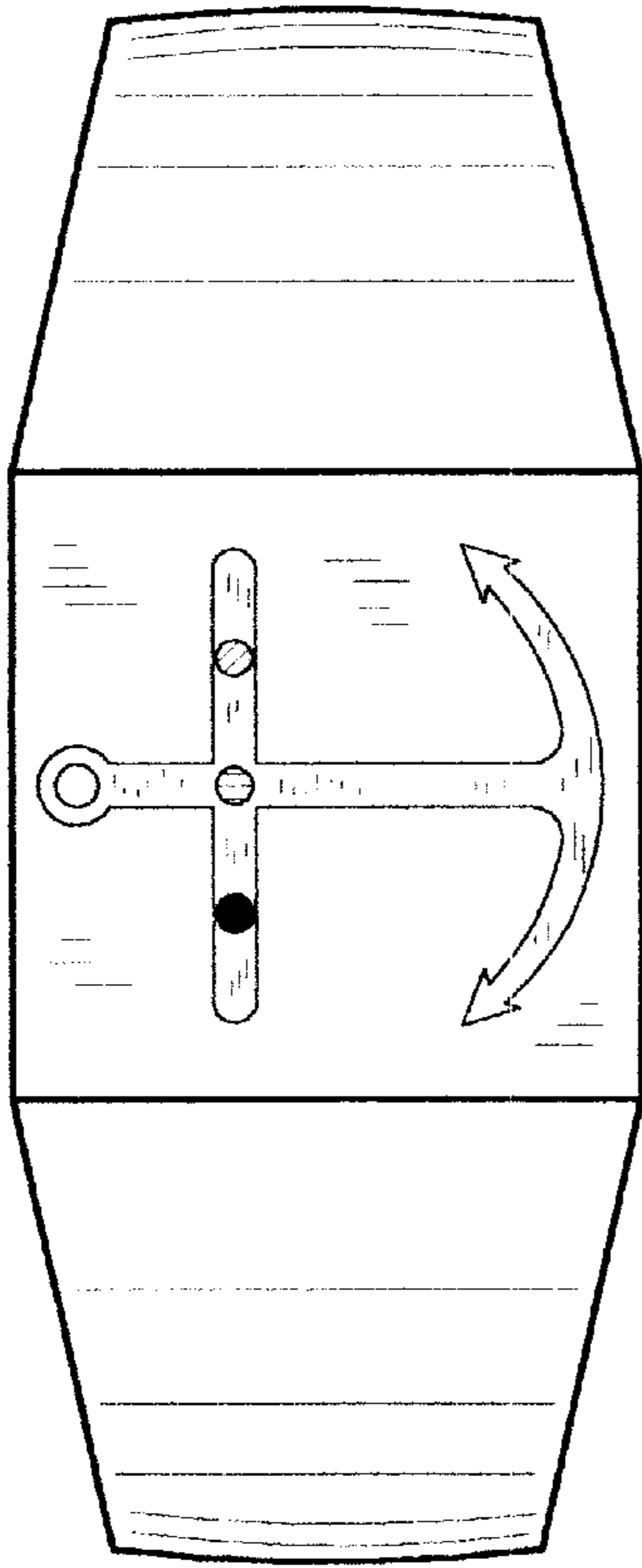


FIG. 1

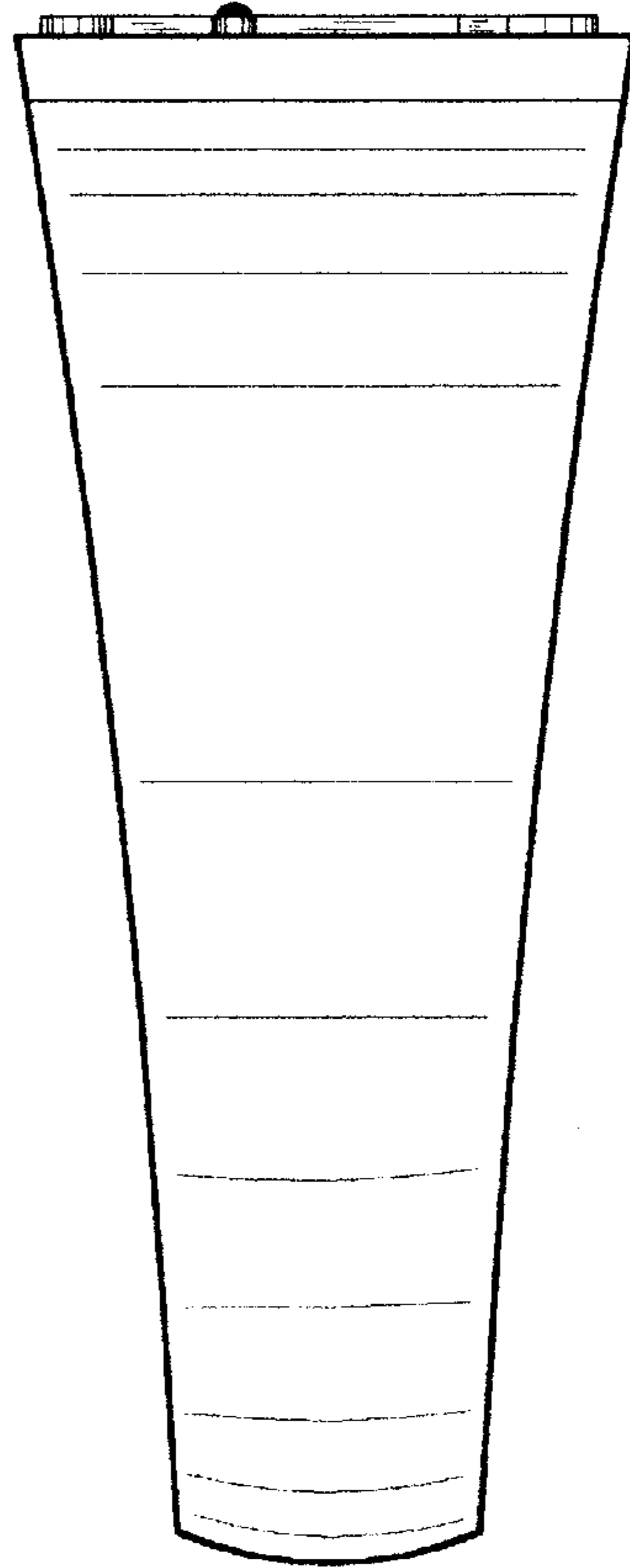


FIG. 3

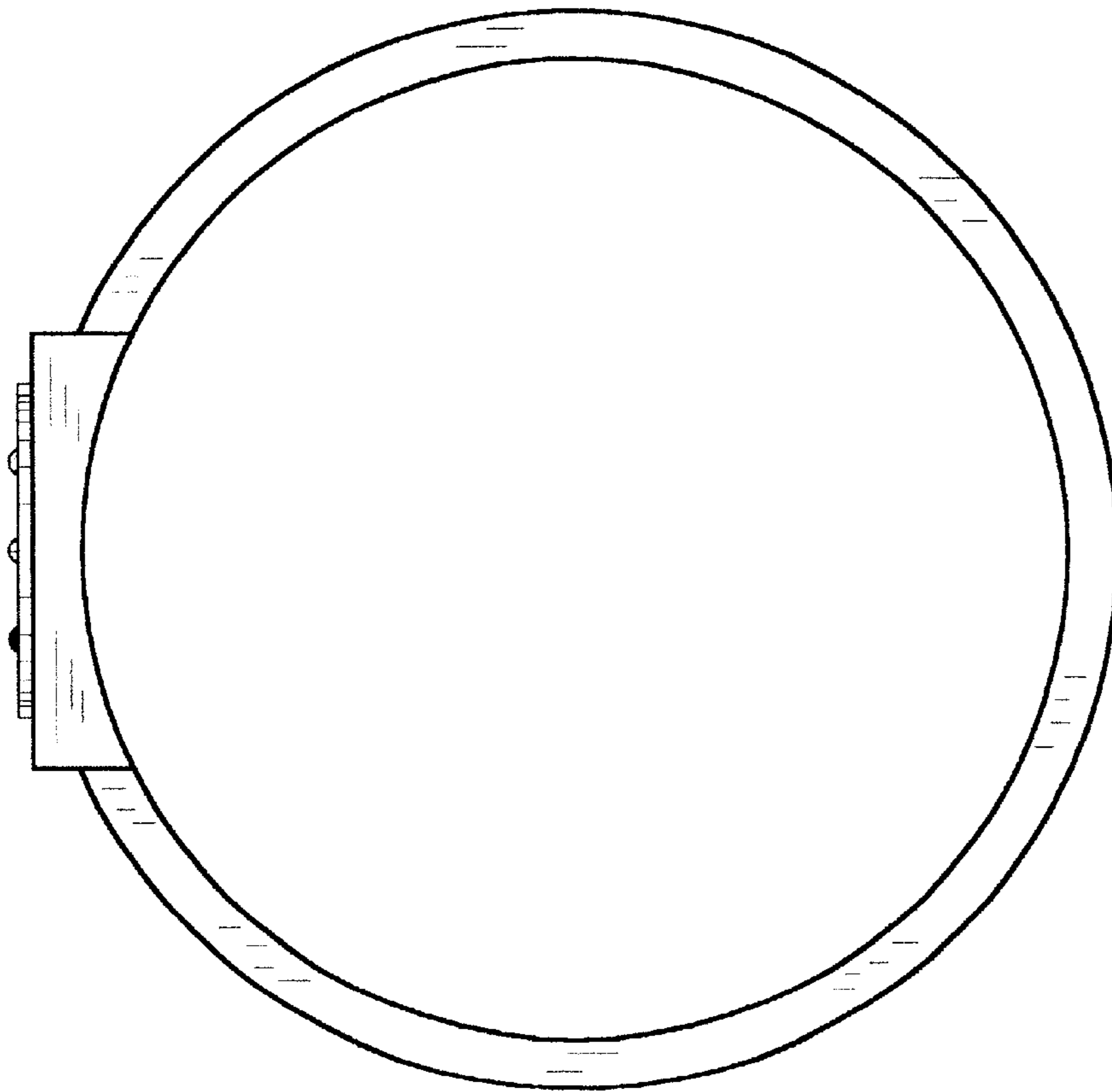


FIG. 6

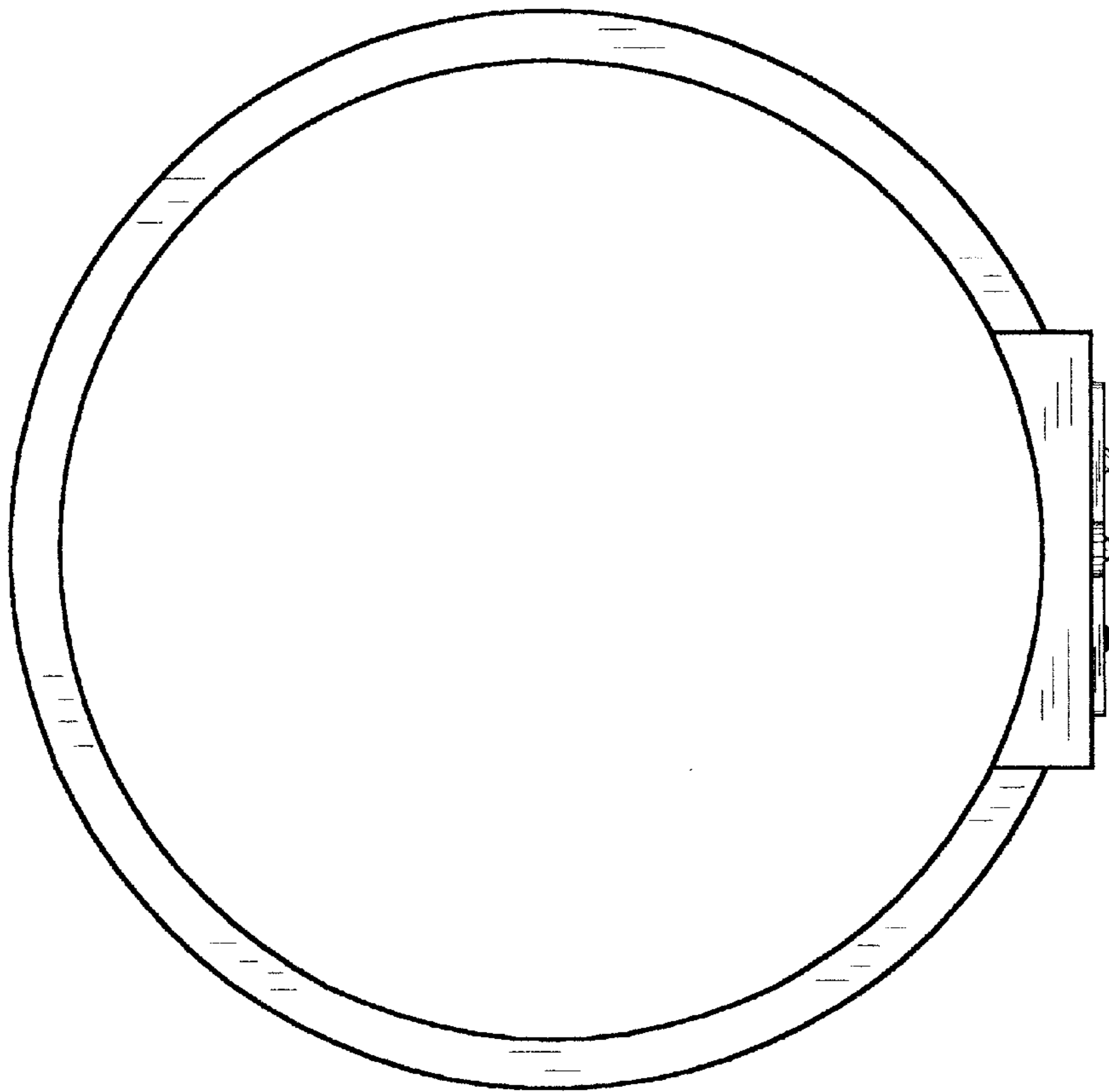


FIG. 5