



US00D463306S

(12) **United States Design Patent**
Fritz

(10) **Patent No.:** **US D463,306 S**

(45) **Date of Patent:** **** Sep. 24, 2002**

(54) **REFLECTIVE MARKER**

6,109,754 A 8/2000 Steele 359/522

(75) Inventor: **Raymond J. Fritz**, Northfield, OH
(US)

* cited by examiner

Primary Examiner—Antoine Duval Davis

(73) Assignee: **The Technology House, Ltd.**, Solon,
OH (US)

(74) *Attorney, Agent, or Firm*—Rankin, Hill, Porter &
Clark LLP

(**) Term: **14 Years**

(57) **CLAIM**

The ornamental design for a reflective marker, a shown and
described.

(21) Appl. No.: **29/133,397**

(22) Filed: **Nov. 29, 2000**

DESCRIPTION

(51) **LOC (7) Cl.** **10-05**

(52) **U.S. Cl.** **D10/111**

(58) **Field of Search** D10/111; 359/514,
359/542, 531, 532; 116/63 P; 404/9; 52/104,
160, DIG. 10

FIG. 1 is a perspective view of a reflective marker in
accordance with the present invention showing the new
design.

FIG. 2 is a front view of the reflective marker of FIG. 1, the
back view being a mirror image thereof.

FIG. 3 is a left side view of the reflective marker of FIG. 1,
the right side view being a mirror image thereof.

FIG. 4 is a top view of the reflective marker of FIG. 1.

FIG. 5 is a bottom view of the reflective marker of FIG. 1;
and,

FIG. 6 is a front view of the reflective marker of FIG. 1.

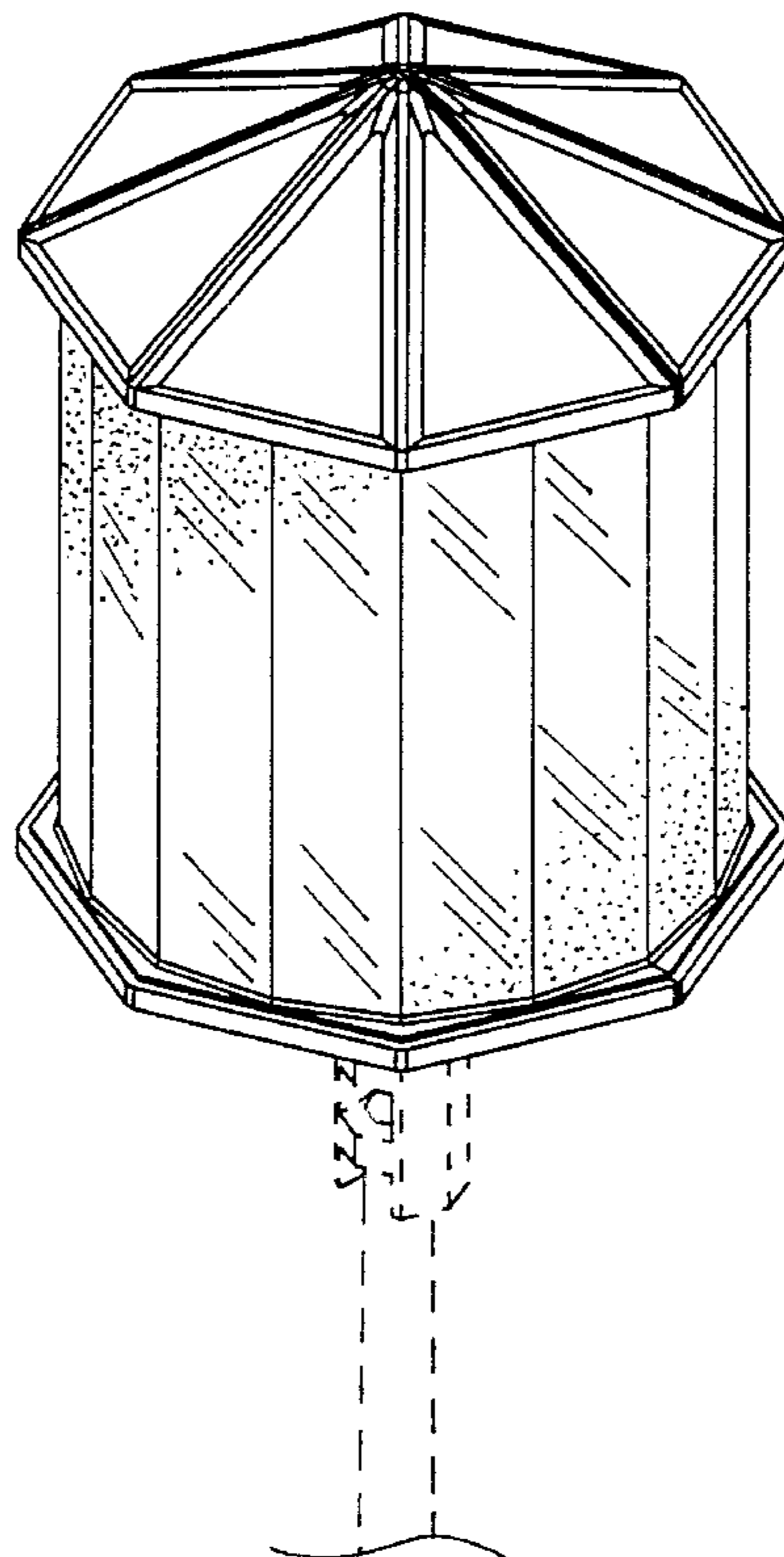
The portions of the drawings shown in broken lines in FIGS.
1 to 6 indicate surrounding structure comprising a support-
ing pole and attachment means, which do not form part of
the design. The stippling shown in FIGS. 1 to 6 indicates the
location where a reflective material is disposed on the
surface of the reflective marker.

(56) **References Cited**

U.S. PATENT DOCUMENTS

| | | | | | |
|-------------|---|---------|------------------|-------|---------|
| D56,157 S | * | 8/1920 | Hickey et al. | | D10/111 |
| 2,779,240 A | * | 1/1957 | Gaydos | | 359/531 |
| D207,931 S | * | 6/1967 | Huret | | D10/111 |
| 3,834,789 A | * | 9/1974 | Brudy | | 359/531 |
| 4,787,601 A | | 11/1988 | Rybak | | 256/19 |
| D328,442 S | * | 8/1992 | Sloan | | D10/111 |
| D333,278 S | | 2/1993 | Bezas | | D10/113 |
| D362,818 S | | 10/1995 | Sandy | | D10/113 |
| 5,731,895 A | | 3/1998 | Owczarzak et al. | | 359/515 |
| D410,862 S | | 6/1999 | Mihov | | D10/109 |
| D429,176 S | | 8/2000 | Dicks, Sr. | | D10/109 |

1 Claim, 6 Drawing Sheets



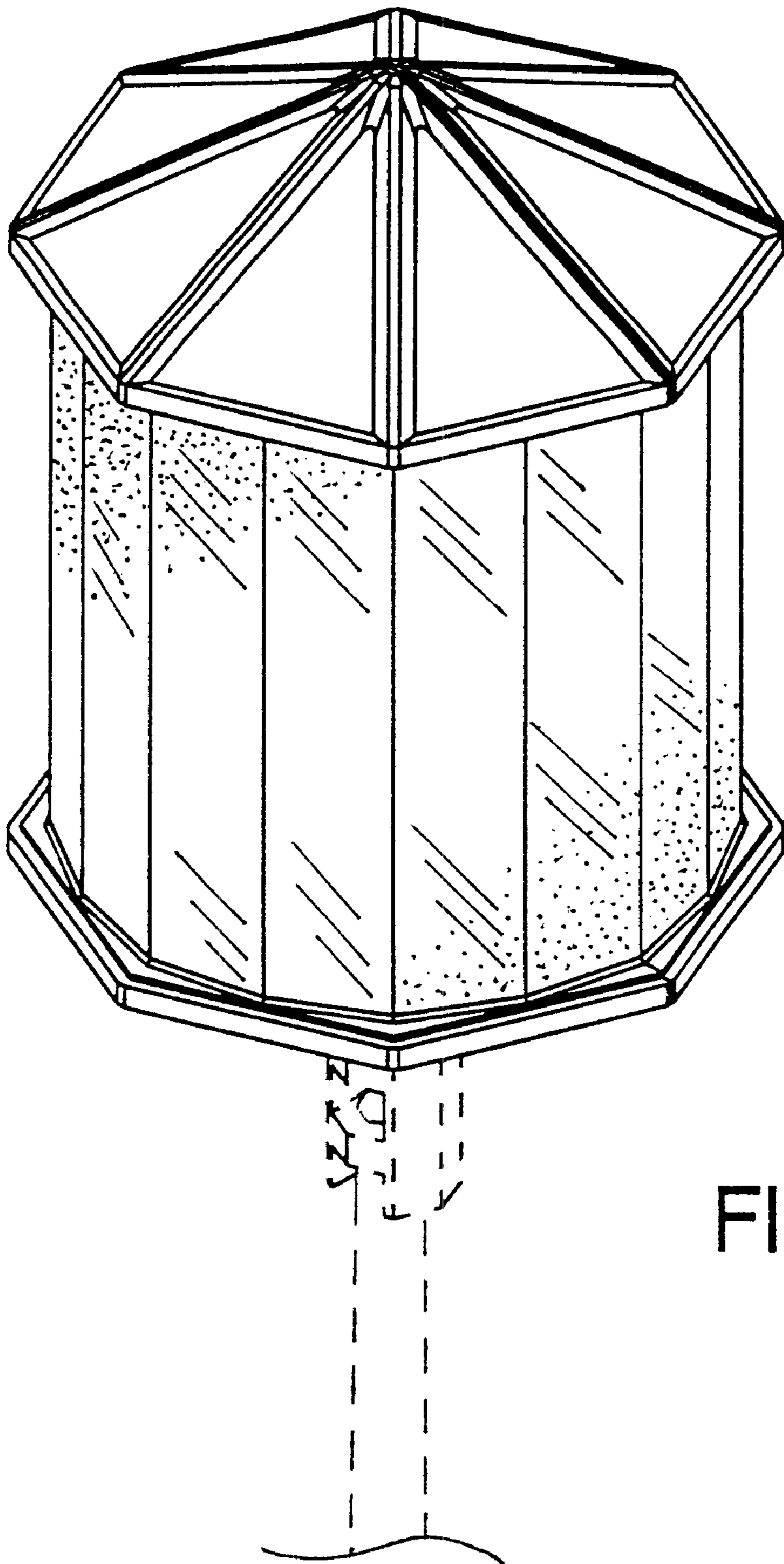


FIG. 1

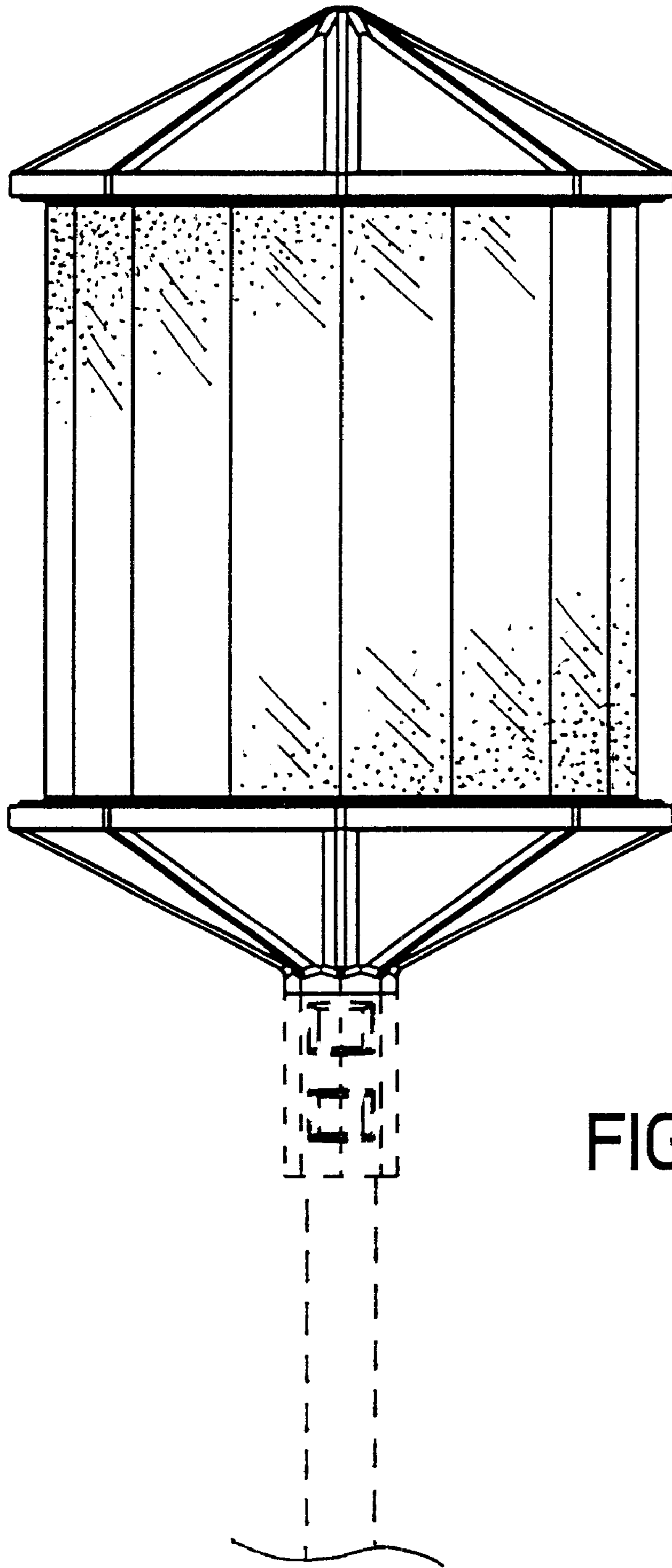


FIG. 2

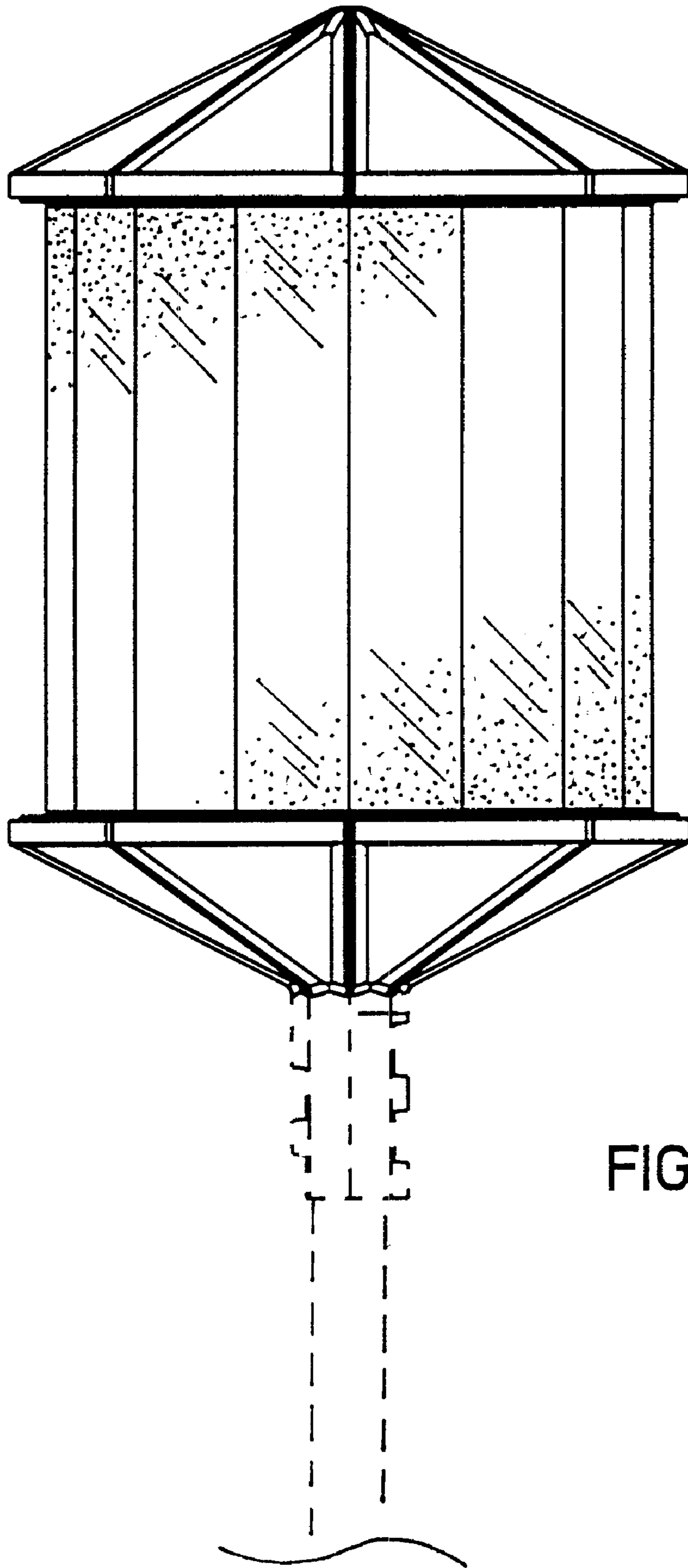


FIG. 3

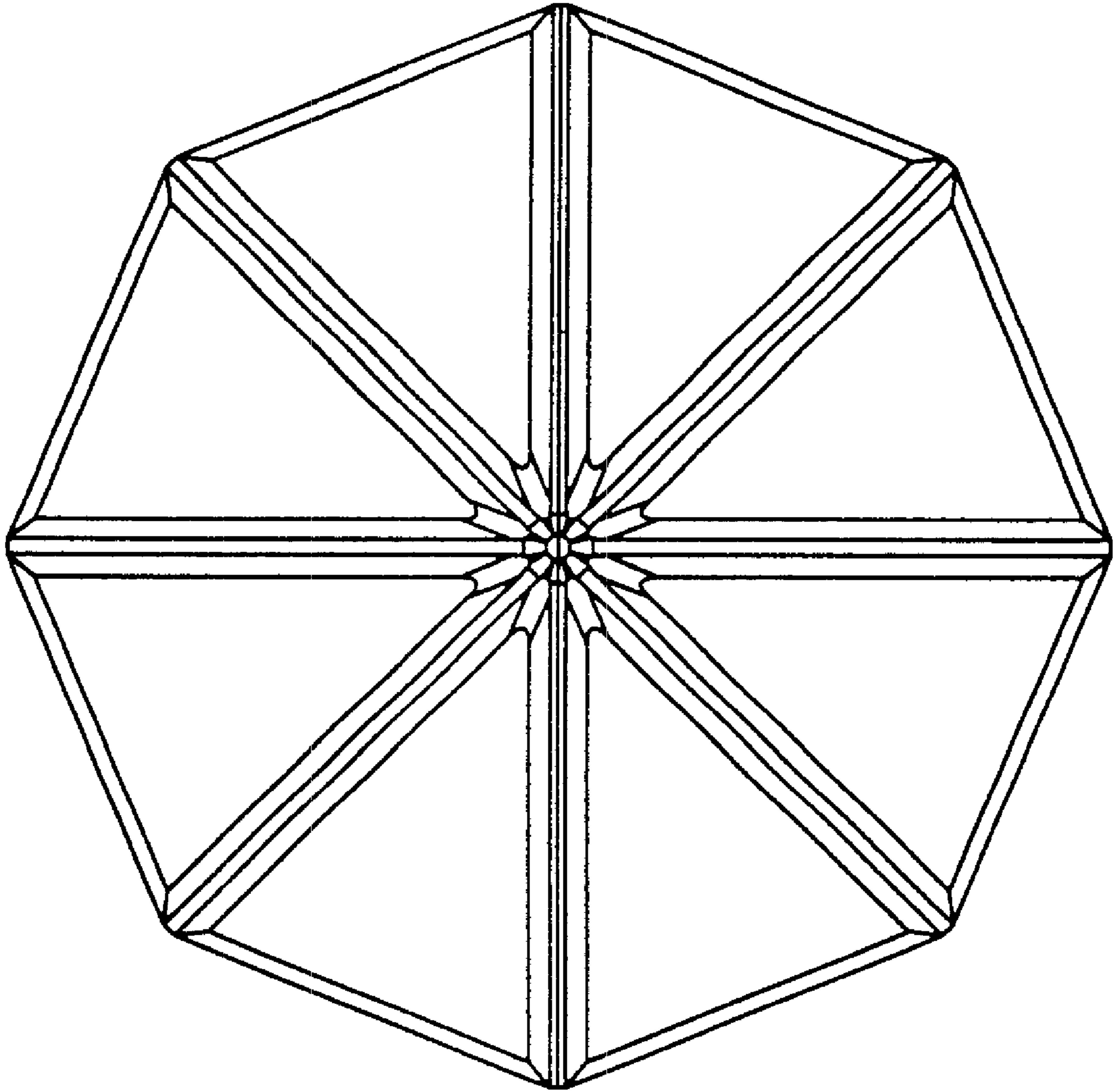


FIG. 4

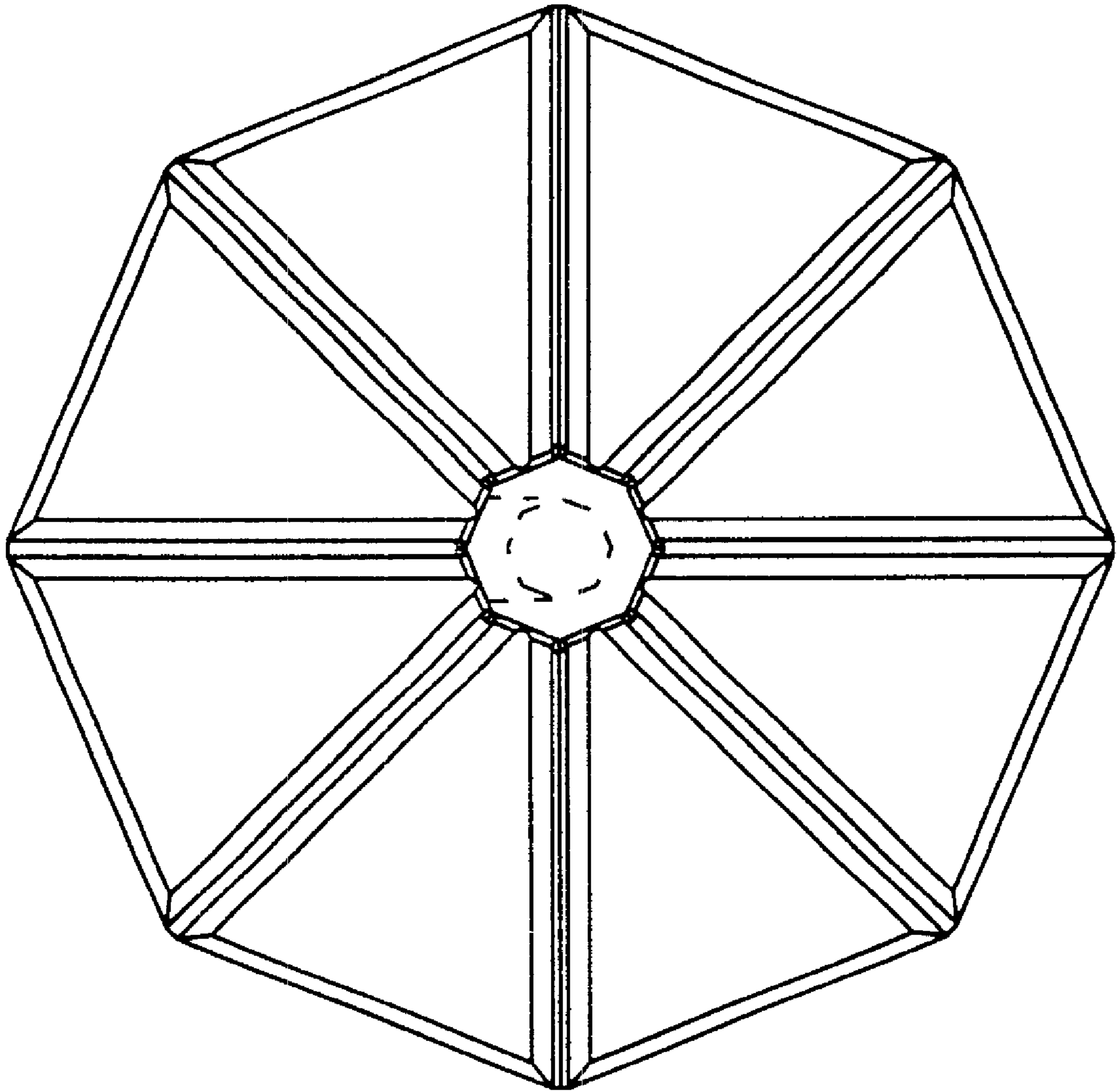


FIG. 5

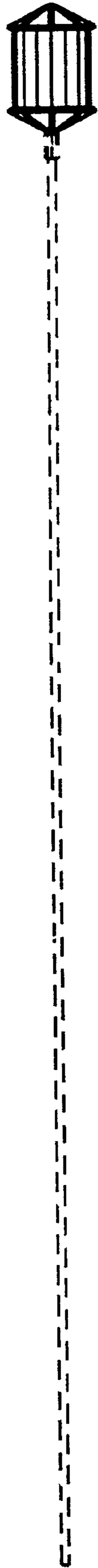


FIG. 6