



US00D463301S

(12) **United States Design Patent** (10) **Patent No.:** **US D463,301 S**
Martz et al. (45) **Date of Patent:** **** Sep. 24, 2002**

(54) **TAPE MEASURE MARKING ACCESSORY**

Primary Examiner—Antoine Duval Davis
(74) *Attorney, Agent, or Firm*—Keith Frantz

(76) Inventors: **William M. Martz**, 6137 Garrett La.,
Apt. 6, Rockford, IL (US) 61107;
Bradley J. Burie, 13927 Eunice Dr.,
Rockton, IL (US) 61072

(57) **CLAIM**

The ornamental design for a tape measure marking accessory, as shown and described.

(**) Term: **14 Years**

DESCRIPTION

(21) Appl. No.: **29/155,065**

FIG. 1 is a front perspective view showing our new design.
FIG. 2 is a top plan view thereof.

(22) Filed: **Jan. 30, 2002**

FIG. 3 is a bottom plan view thereof.

(51) **LOC (7) Cl.** **10-04**

FIG. 4 is alternate front perspective view thereof as connected to a tape measure to illustrate environment, the tape measure being shown in dashed lines and forming no part of the claimed design.

(52) **U.S. Cl.** **D10/74**

(58) **Field of Search** D10/74; 33/768-770

FIG. 5 is a back elevation view thereof.

(56) **References Cited**

U.S. PATENT DOCUMENTS

4,439,927 A	4/1984	Elliott	
4,542,589 A	9/1985	Vamamoto	
4,630,376 A	12/1986	Pentecost	
4,760,648 A	8/1988	Doak	
4,914,830 A	4/1990	Legare	
4,964,225 A	10/1990	Waldherr	
5,172,486 A *	12/1992	Waldherr	33/770
D336,443 S *	6/1993	Dickey	D10/74
5,295,308 A	3/1994	Stevens	
5,435,074 A	7/1995	Holevas	
5,477,619 A *	12/1995	Kearns	33/888
5,577,329 A	11/1996	States	
5,671,543 A	9/1997	Sears	
D390,795 S *	2/1998	LaFrance	D10/74
5,829,152 A	11/1998	Potter	
6,041,513 A	3/2000	Doak	
6,178,655 B1	1/2001	Potter	

FIG. 6 is a left side view thereof.

FIG. 7 is a front elevation view thereof.

FIG. 8 is a right side view thereof.

FIG. 9 is a front perspective view similar to FIG. 1 and showing our new design in an article marking position as tapped on top by a hammer (not shown).

FIG. 10 is a top plan view thereof.

FIG. 11 is a bottom plan view thereof.

FIG. 12 is alternate front perspective view thereof as connected to a tape measure to illustrate environment, the tape measure being shown in dashed lines and forming no part of the claimed design.

FIG. 13 is a back elevation view thereof.

FIG. 14 is a left side view thereof.

FIG. 15 is a front elevation view thereof; and,

FIG. 16 is a right side view thereof.

* cited by examiner

1 Claim, 2 Drawing Sheets

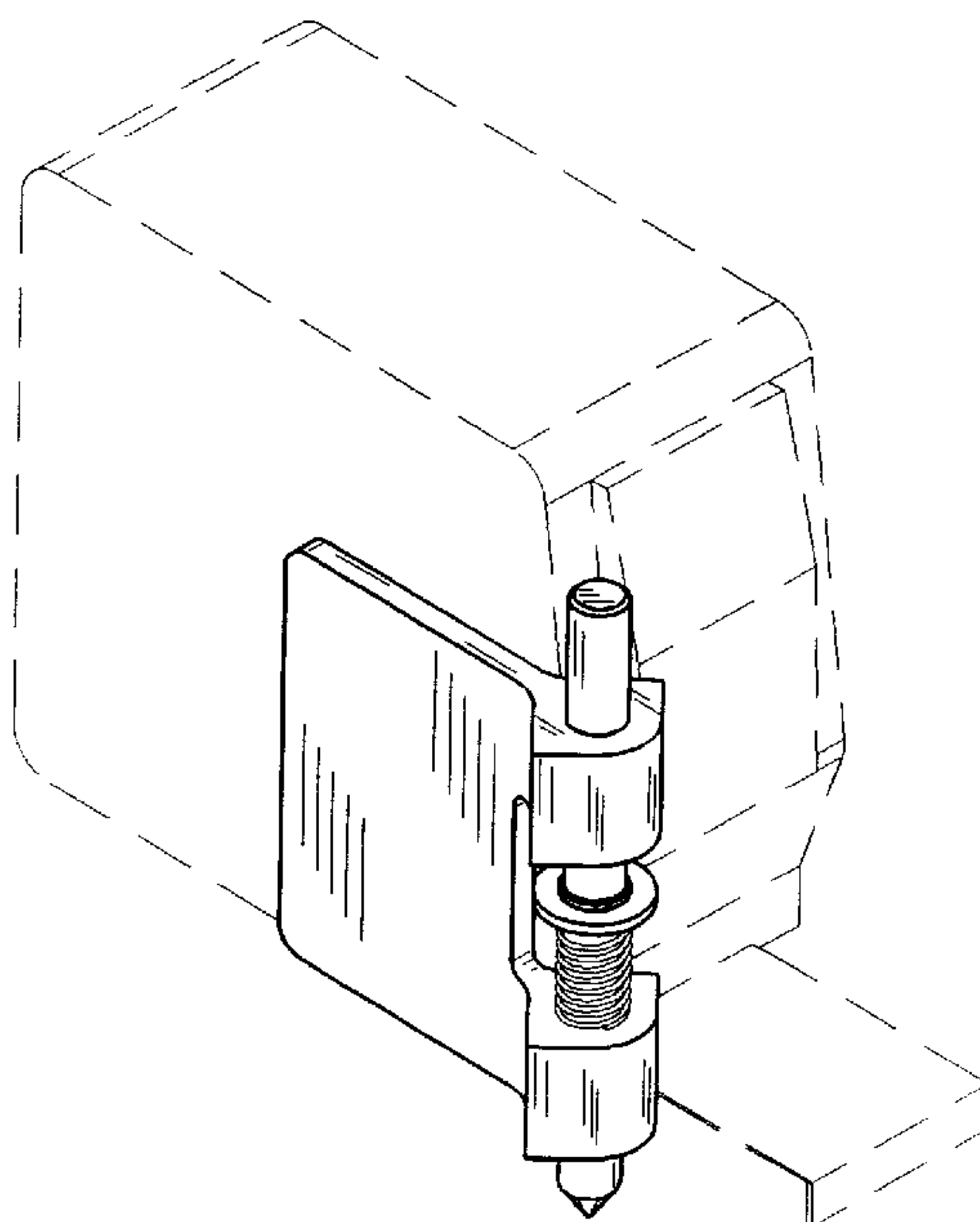


FIG. 1

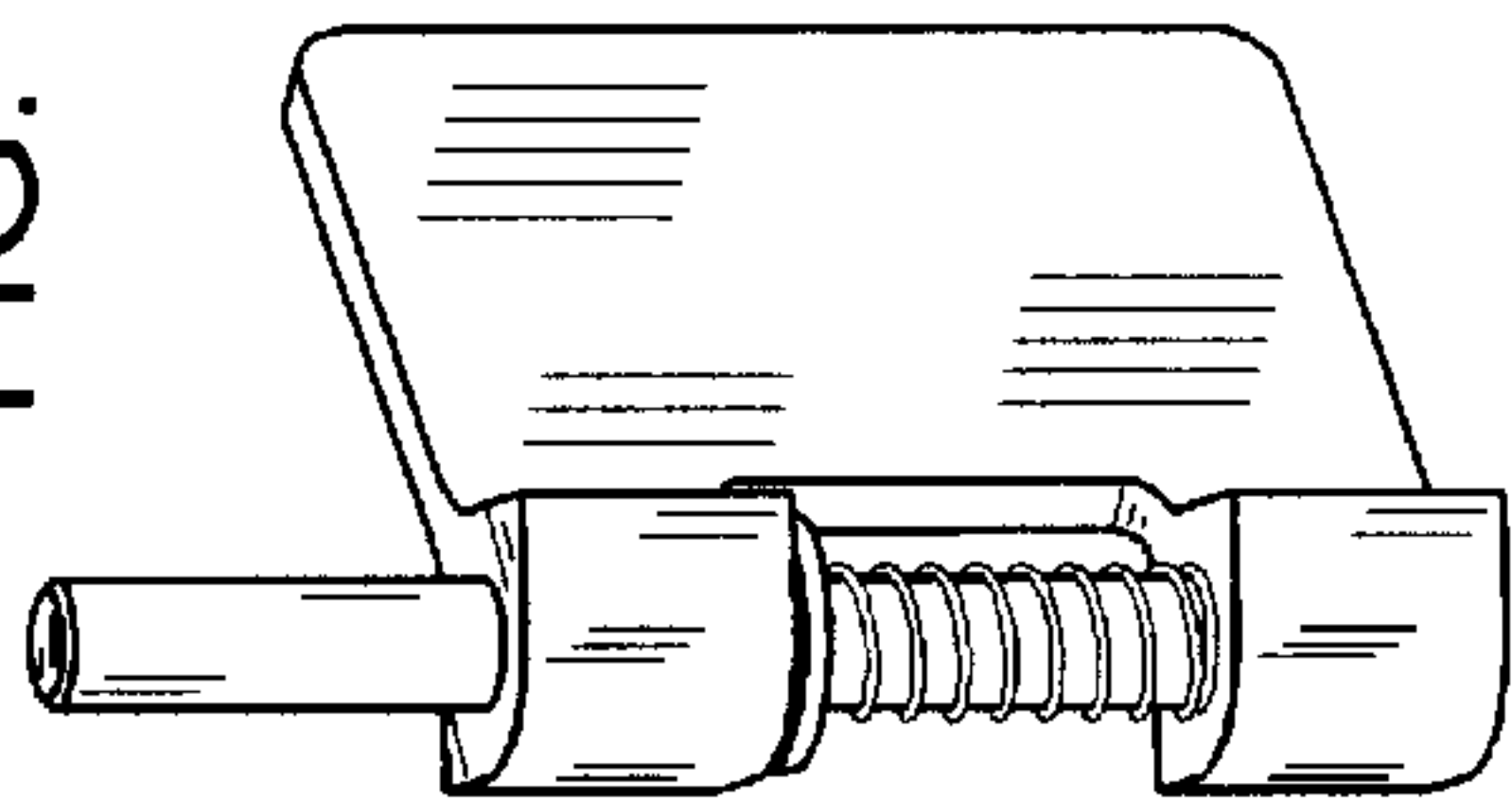


FIG. 2

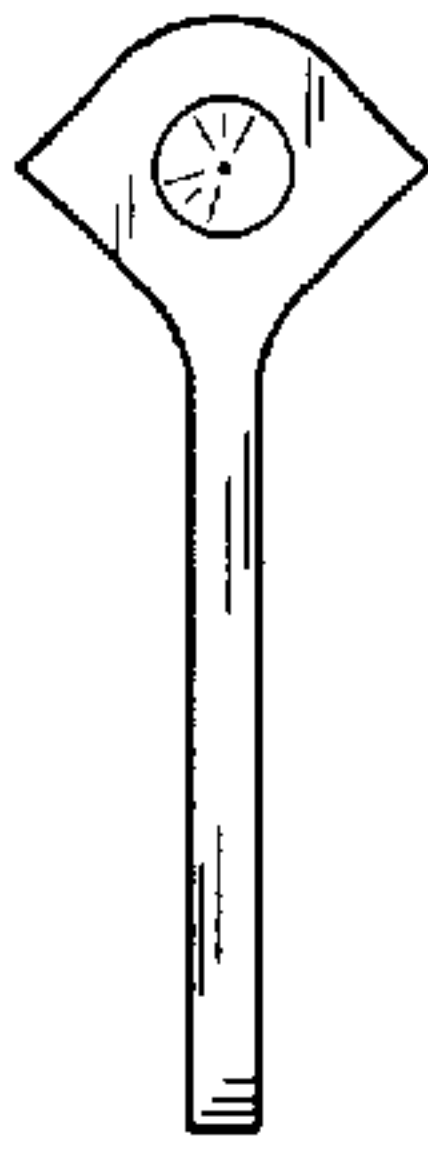


FIG. 3

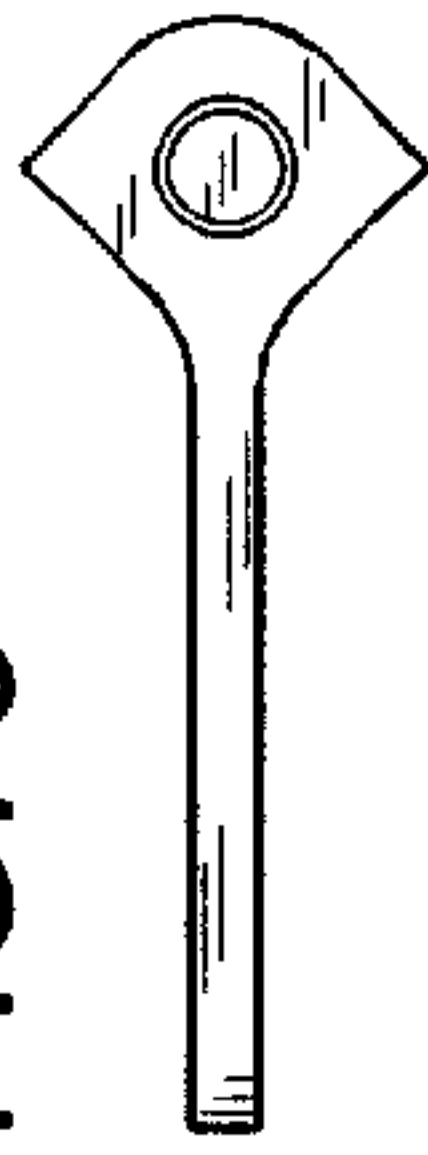


FIG. 4

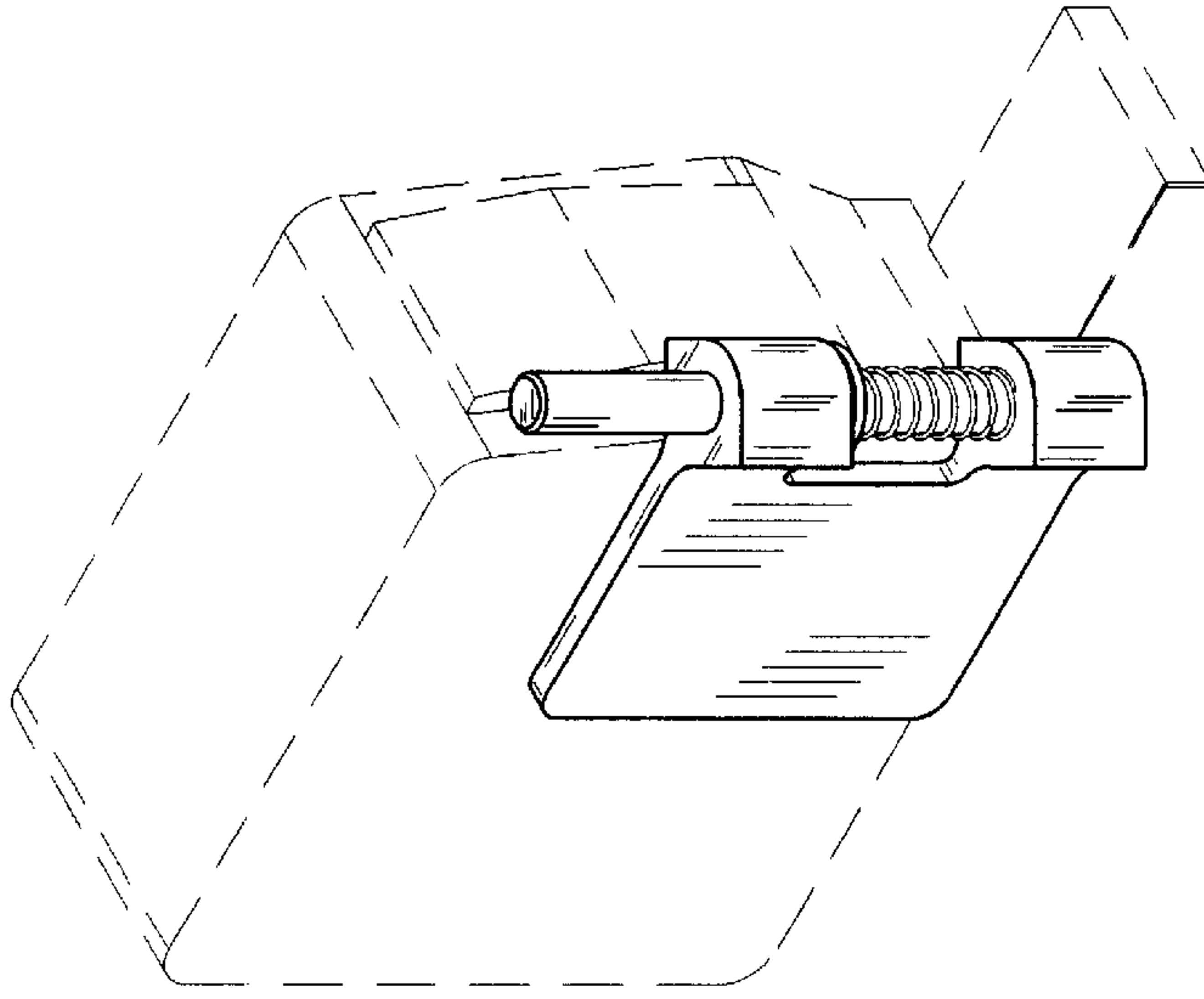


FIG. 5

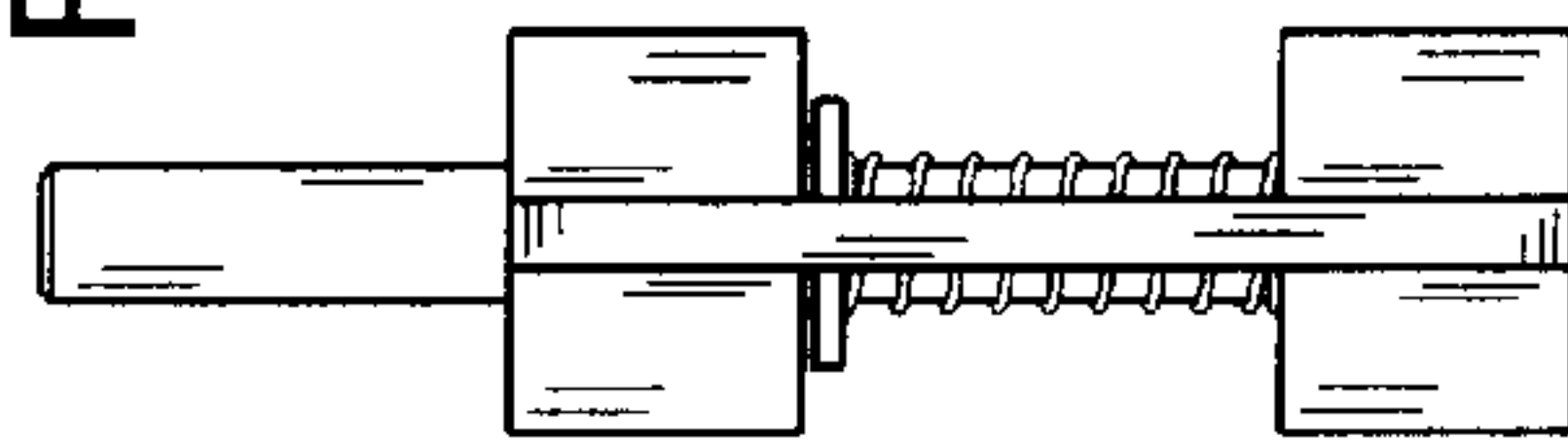


FIG. 6

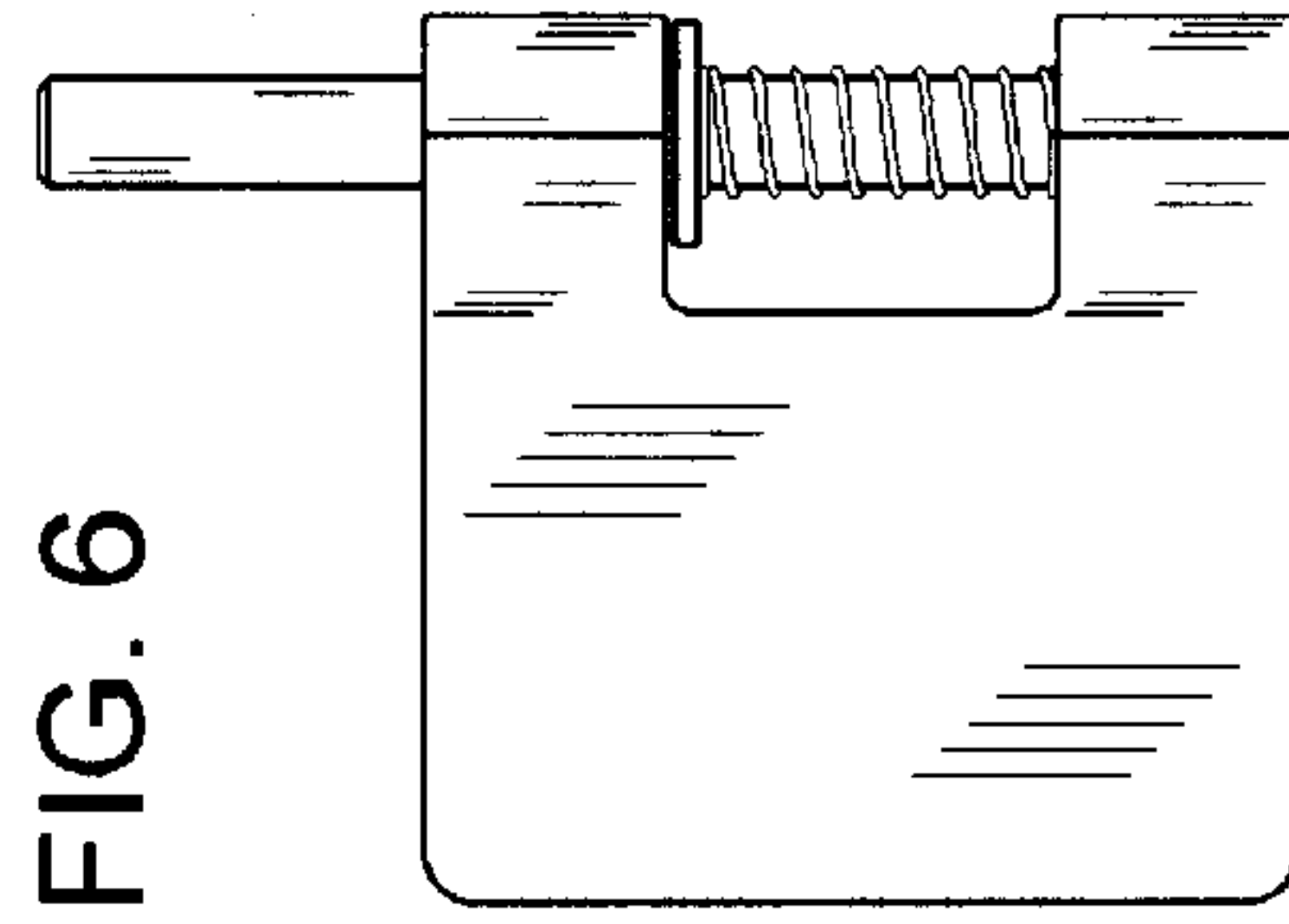


FIG. 7

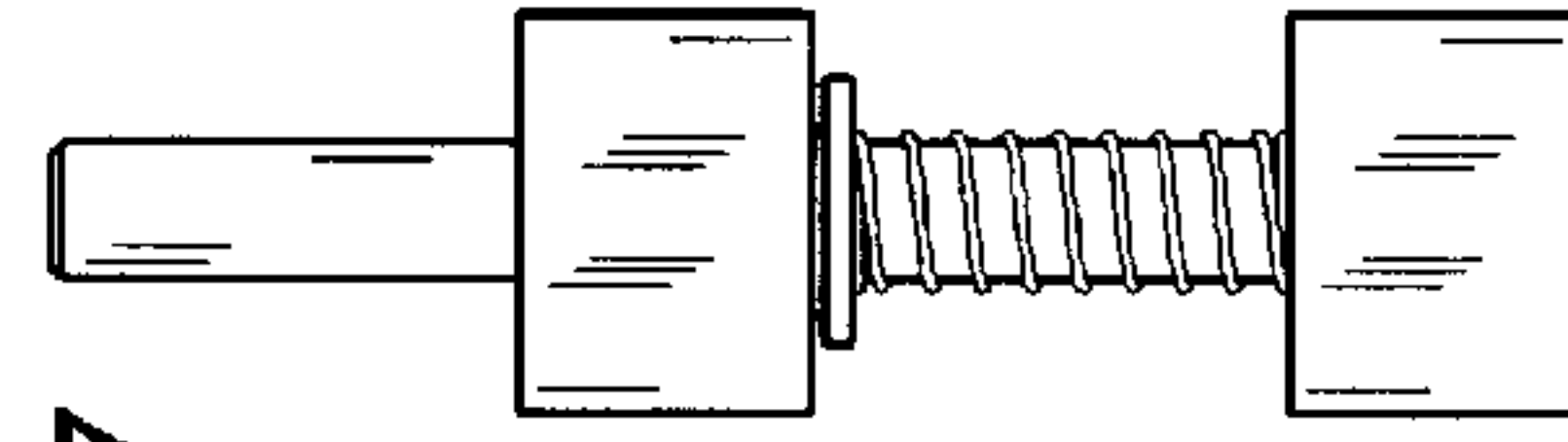


FIG. 8

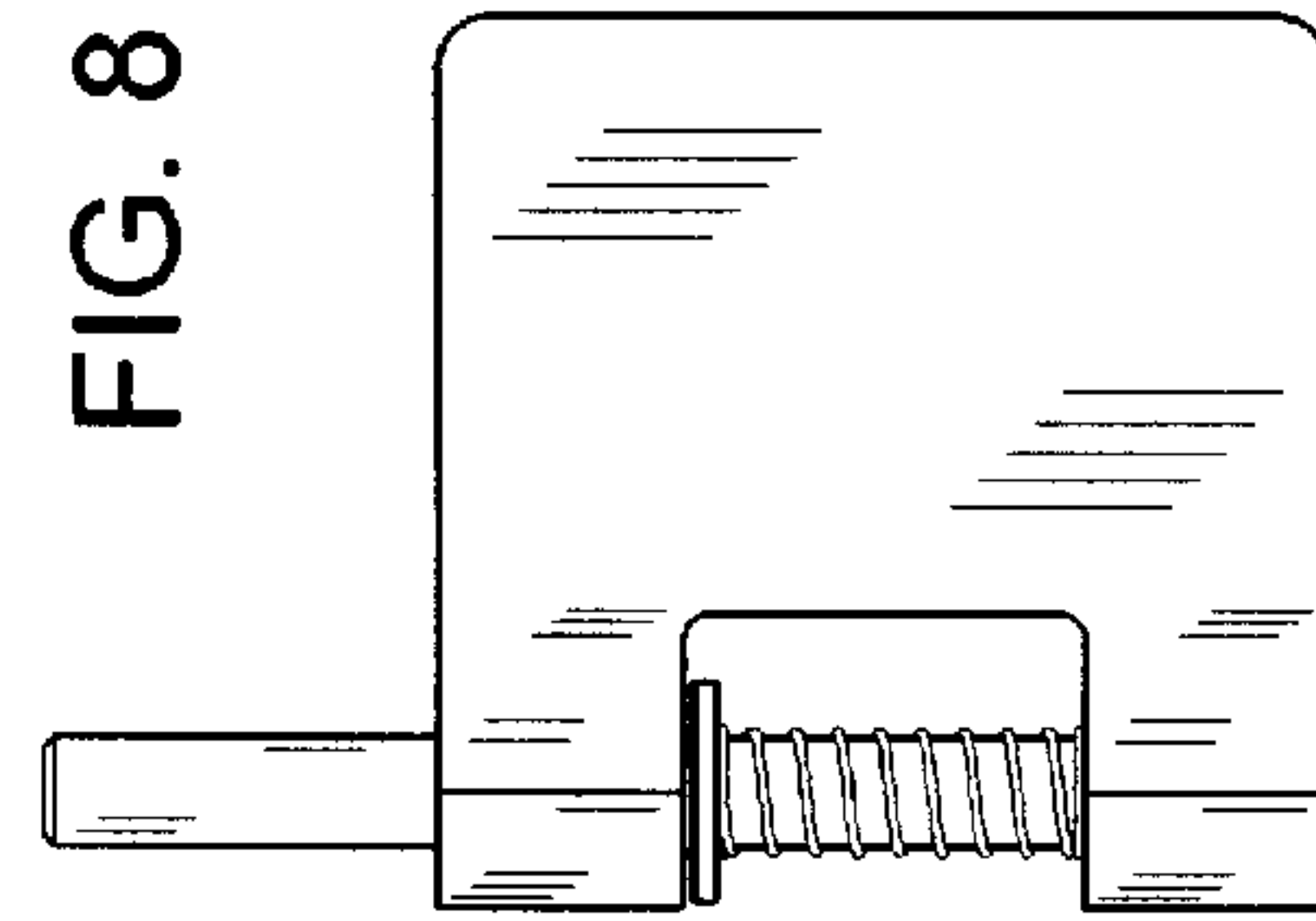


FIG. 9

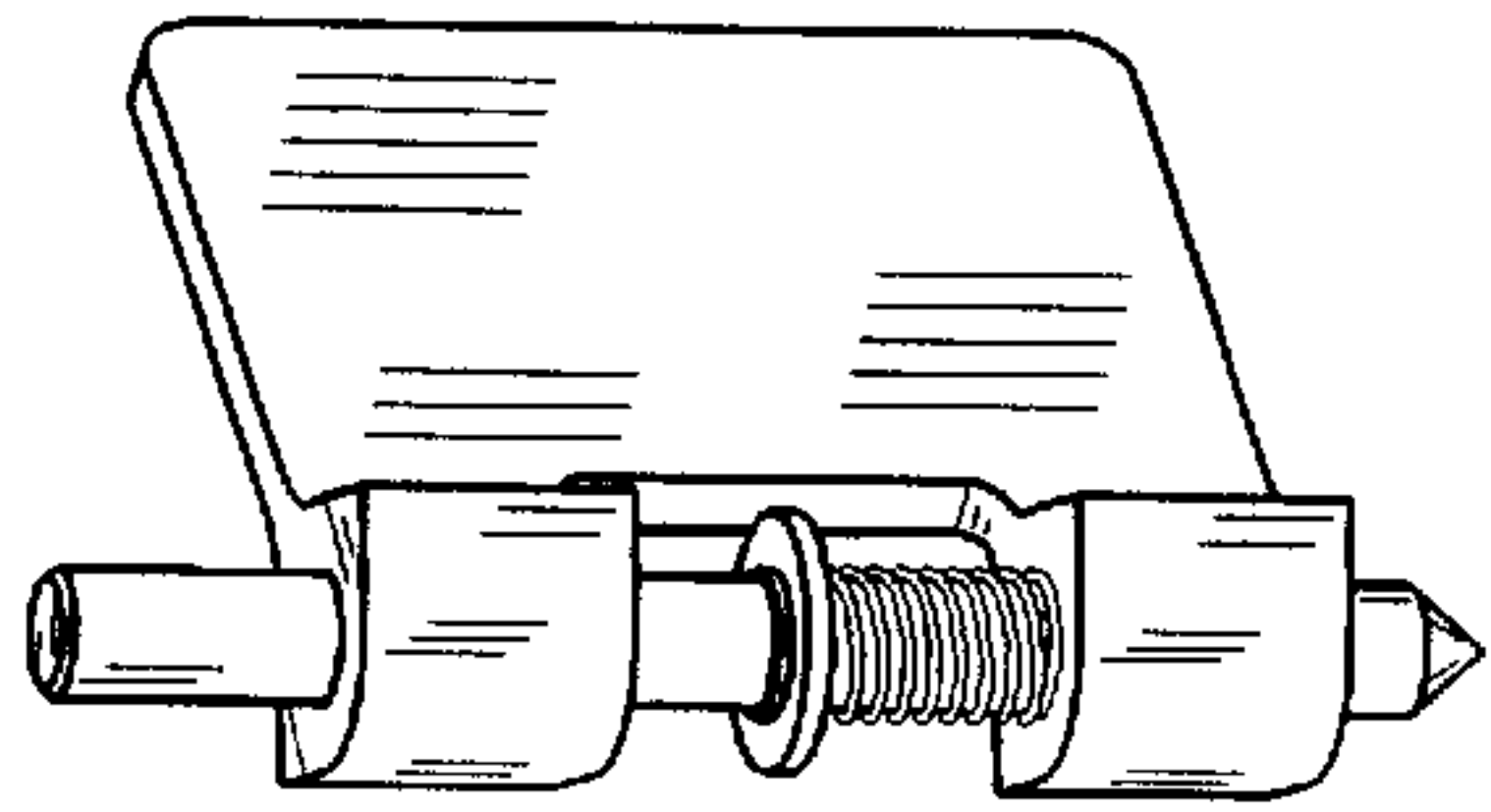


FIG. 10

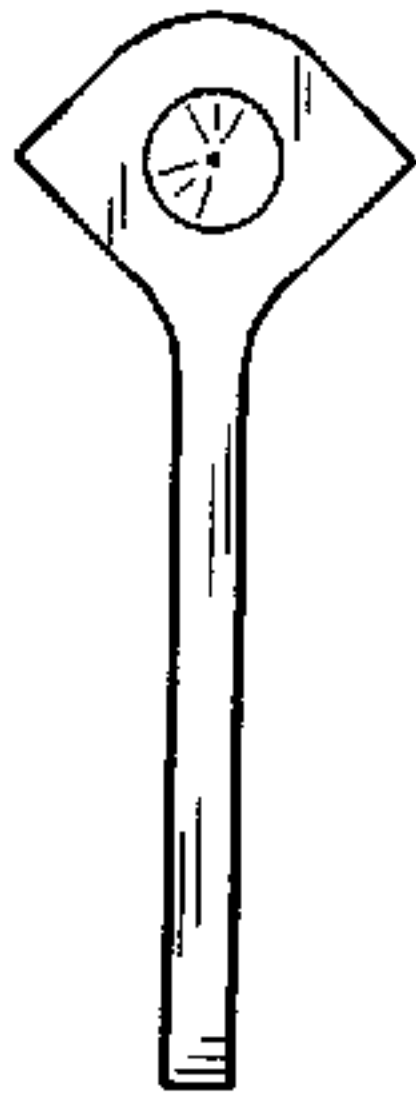


FIG. 11

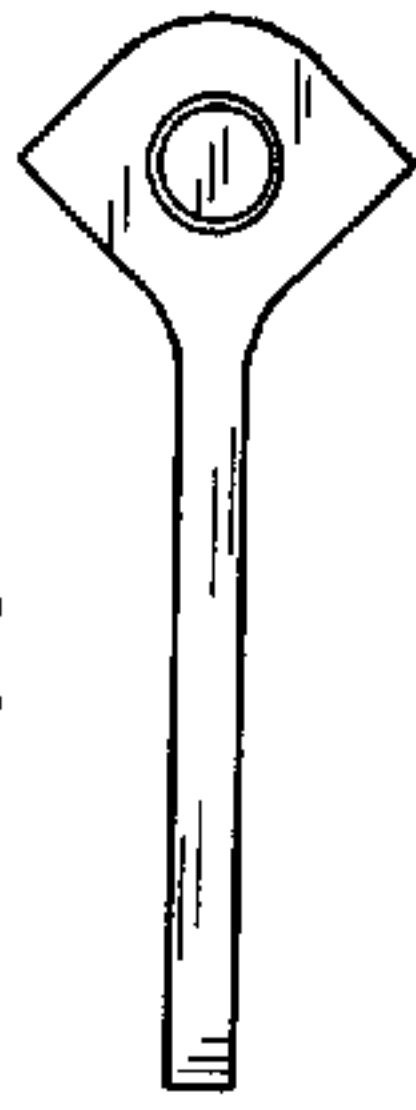


FIG. 12

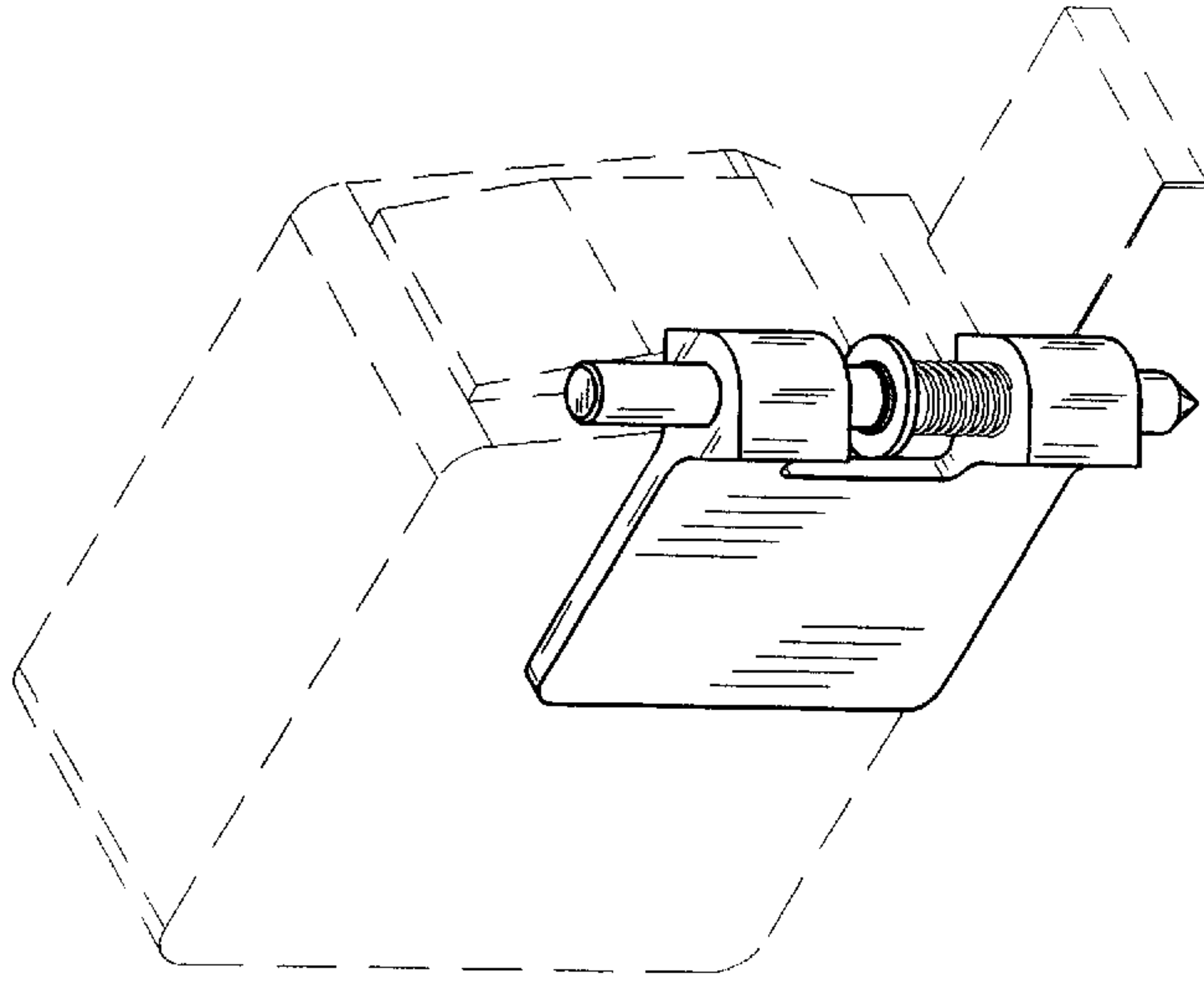


FIG. 13

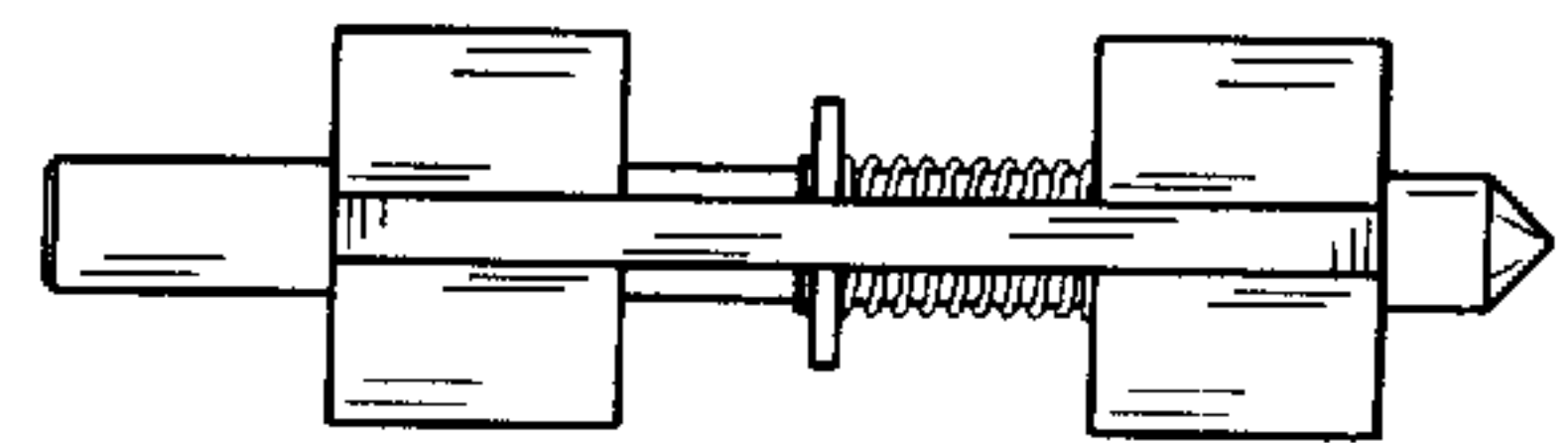


FIG. 14

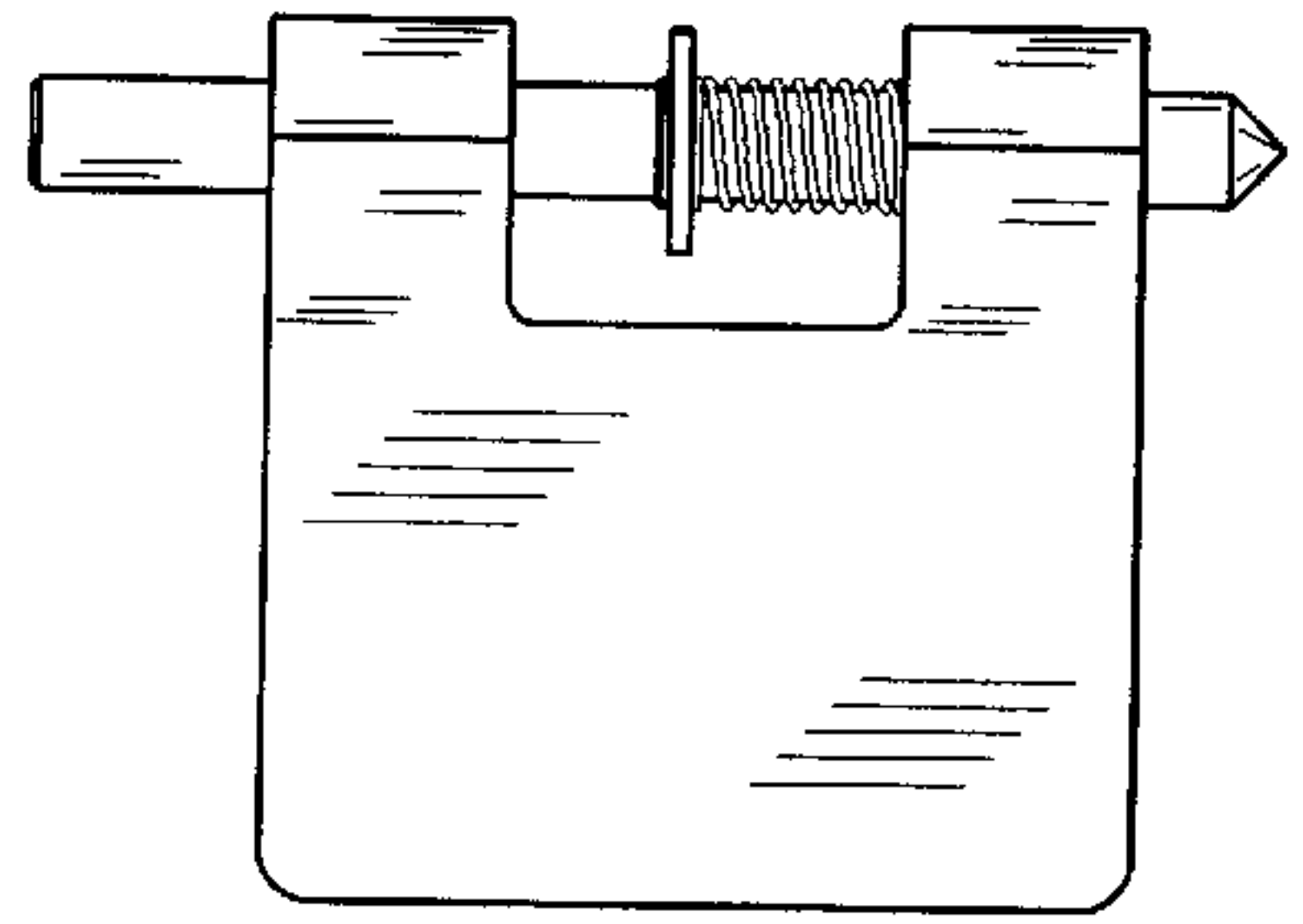


FIG. 15

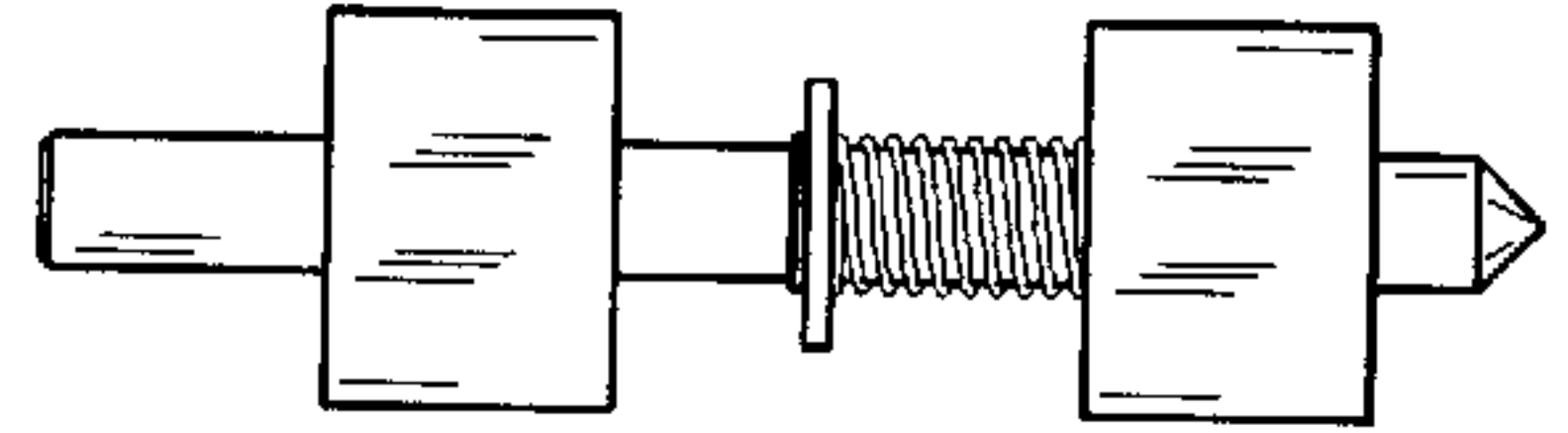


FIG. 16

