



US00D463298S

(12) **United States Design Patent**
Webb

(10) **Patent No.:** **US D463,298 S**

(45) **Date of Patent:** **** Sep. 24, 2002**

(54) **MINI LIQUID LEVEL**

(76) **Inventor:** **James Webb**, 3112 Kashiwa St.,
Torrance, CA (US) 90505-4011

(**) **Term:** **14 Years**

(21) **Appl. No.:** **29/153,004**

(22) **Filed:** **Jan. 4, 2002**

(51) **LOC (7) Cl.** **10-04**

(52) **U.S. Cl.** **D10/69**

(58) **Field of Search** D10/69; 33/365-390

(56) **References Cited**

U.S. PATENT DOCUMENTS

D395,013 S * 6/1998 Webb D10/69

* cited by examiner

Primary Examiner—Antoine Duval Davis
(74) *Attorney, Agent, or Firm*—Roger A. Marrs

(57) **CLAIM**

The ornamental design for a mini liquid level, substantially as shown and described.

DESCRIPTION

FIG. 1 is a front perspective view of a mini liquid level showing my new design;
FIG. 2 is an enlarged side elevational view thereof with the opposite side being a mirror image;
FIG. 3 is an end elevational view thereof;
FIG. 4 is an end elevational view thereof taken from the end opposite to that end shown in FIG. 3;
FIG. 5 is a top plan view thereof; and,
FIG. 6 is a bottom view thereof.

1 Claim, 2 Drawing Sheets

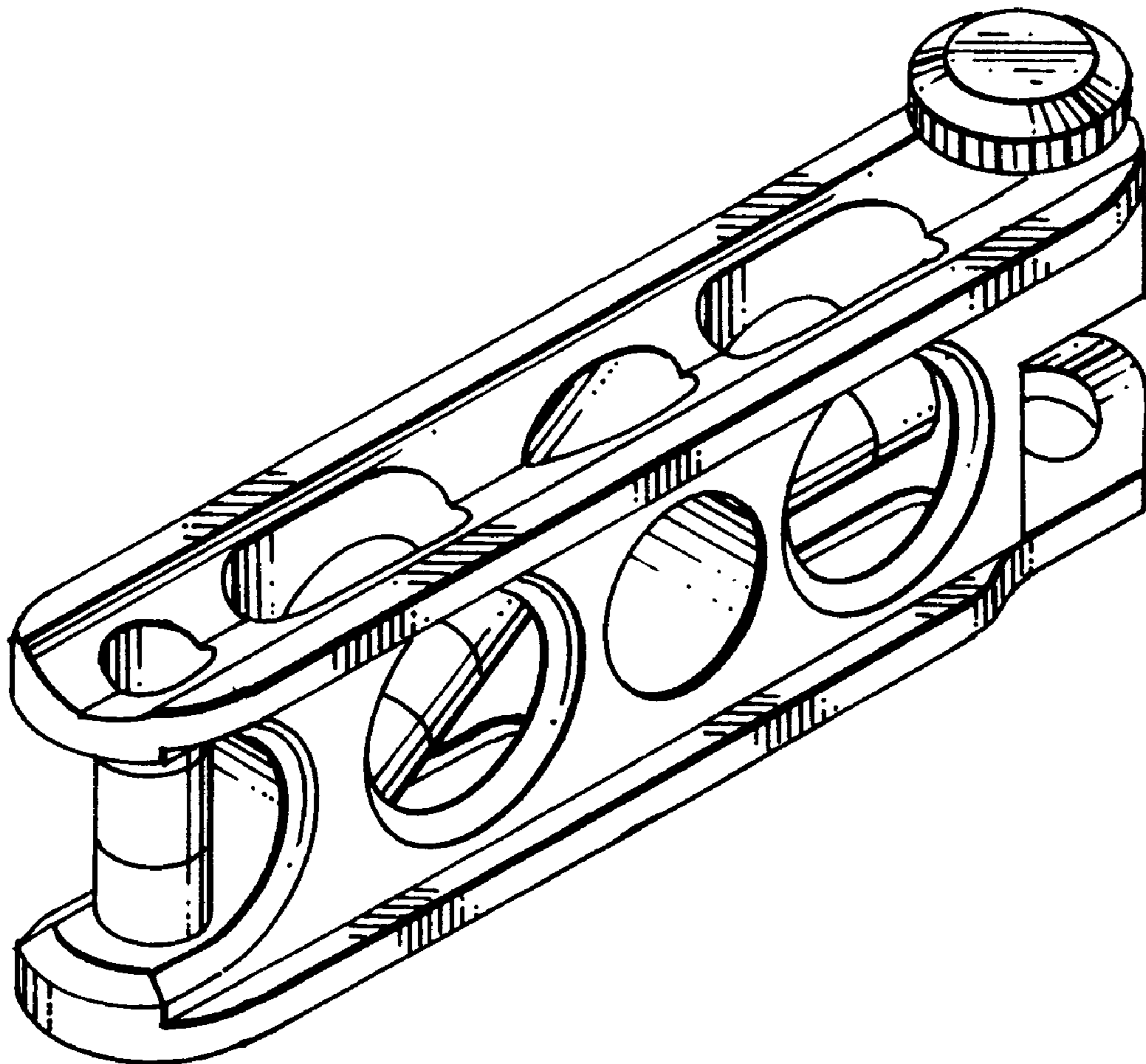


FIG. 1

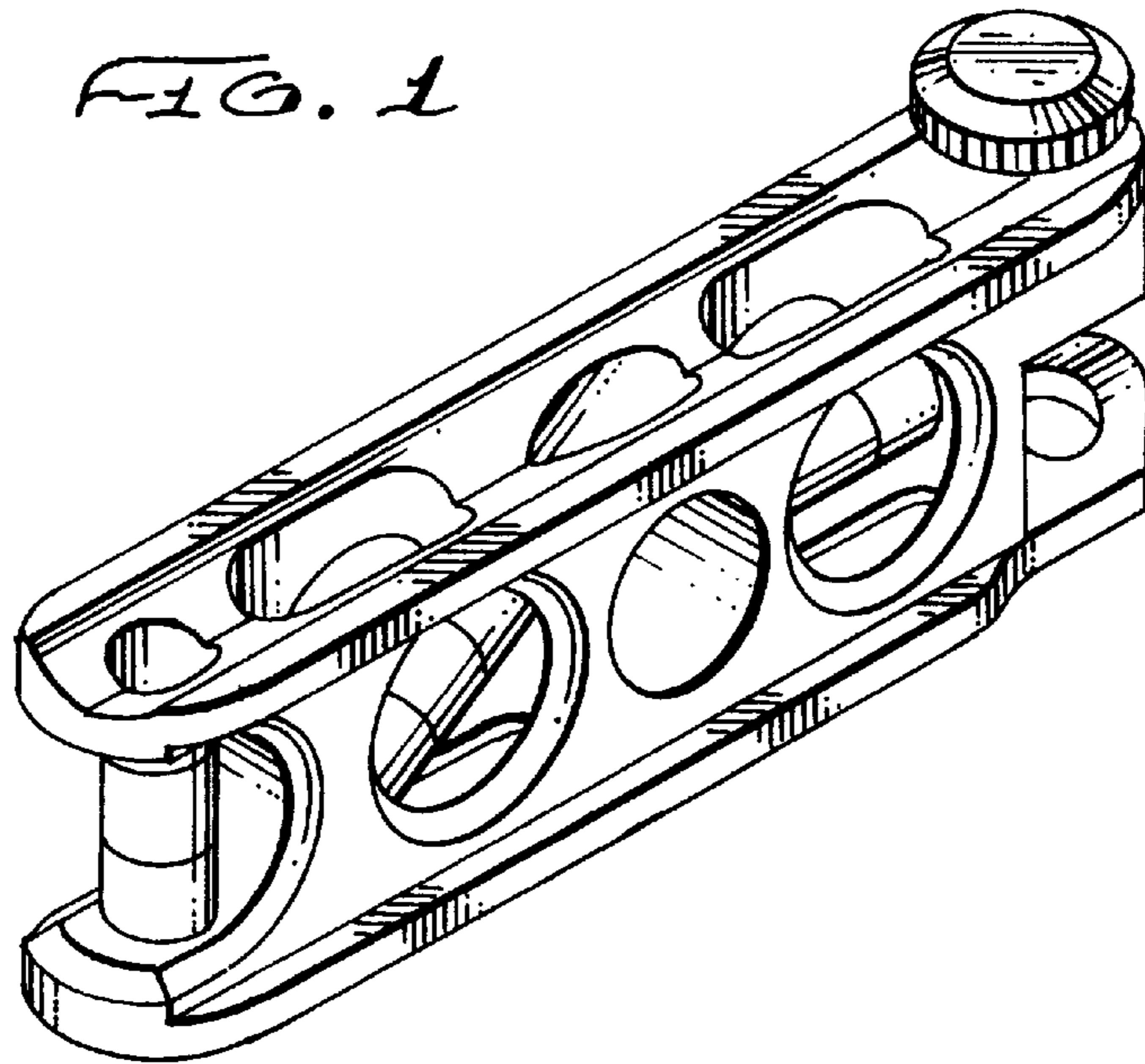


FIG. 2

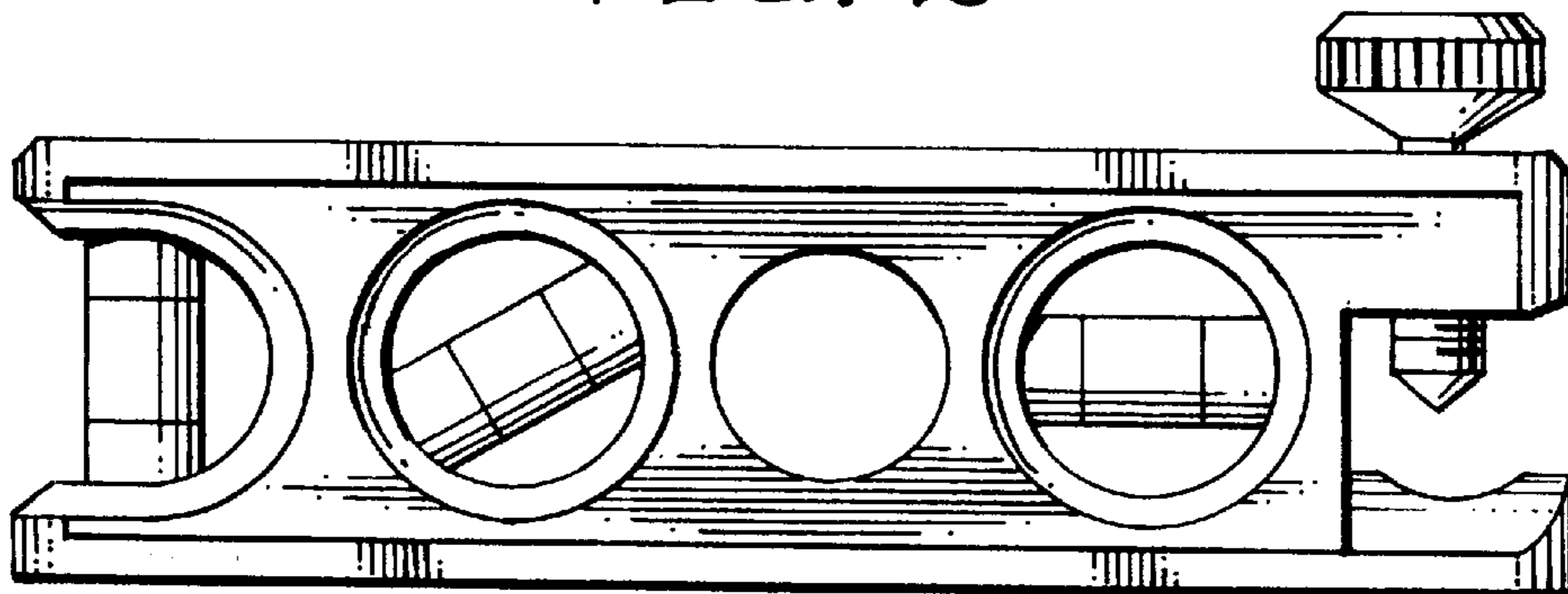


FIG. 3

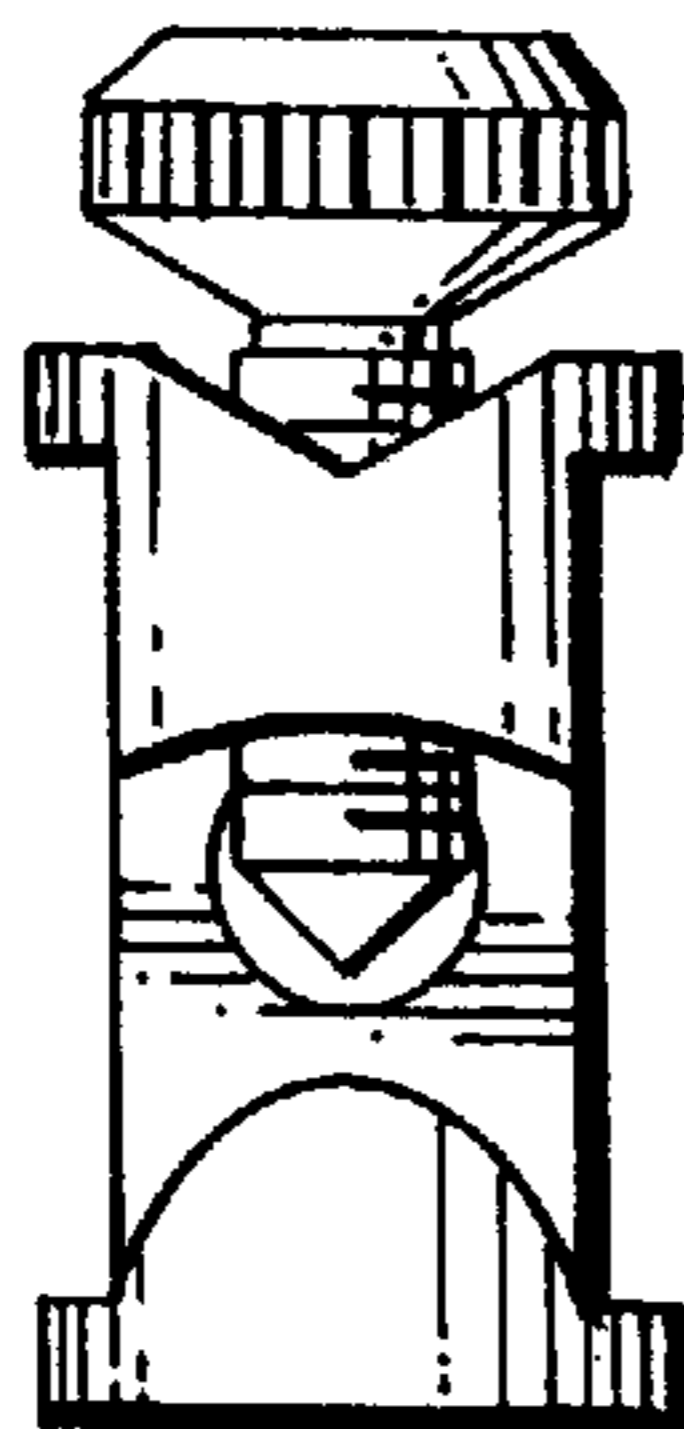


FIG. 4

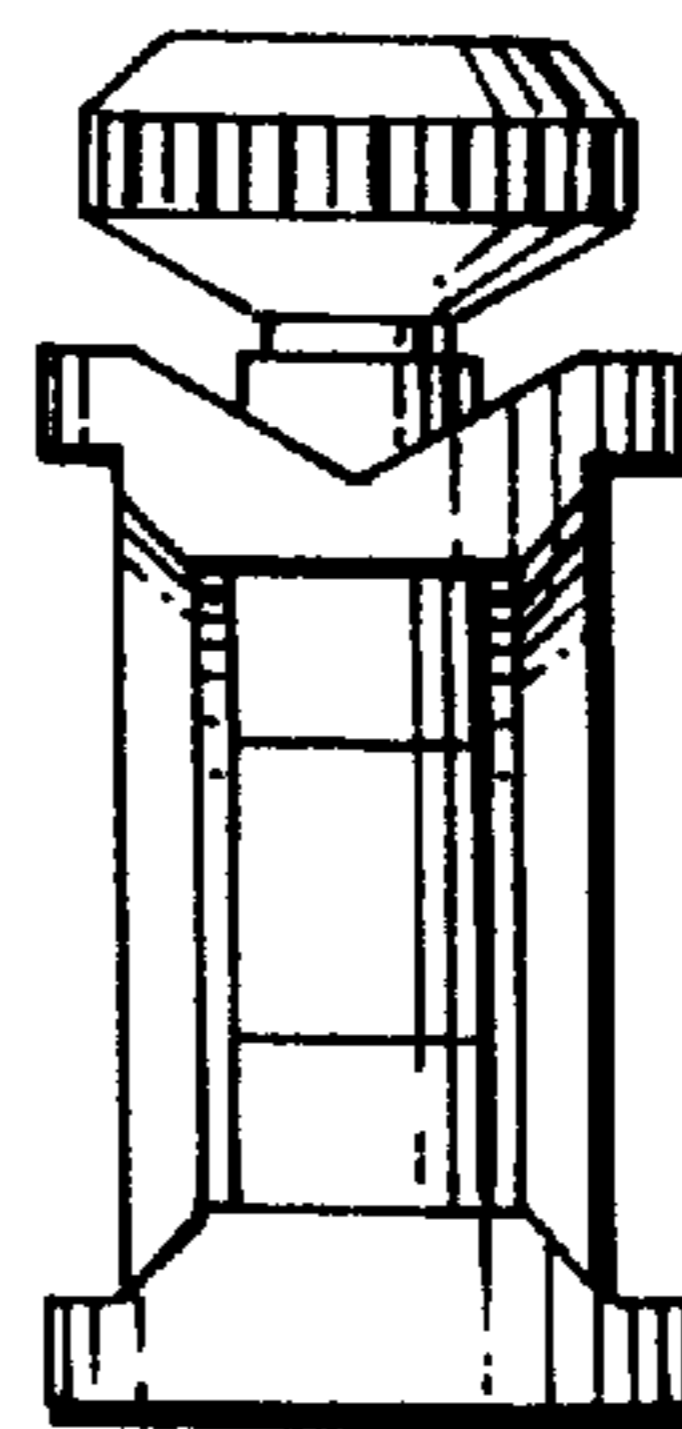


FIG. 5

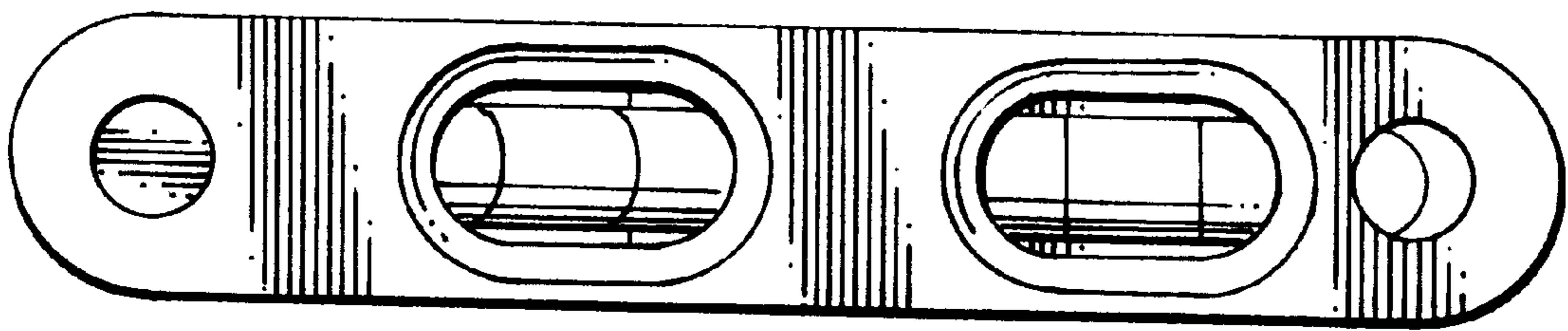
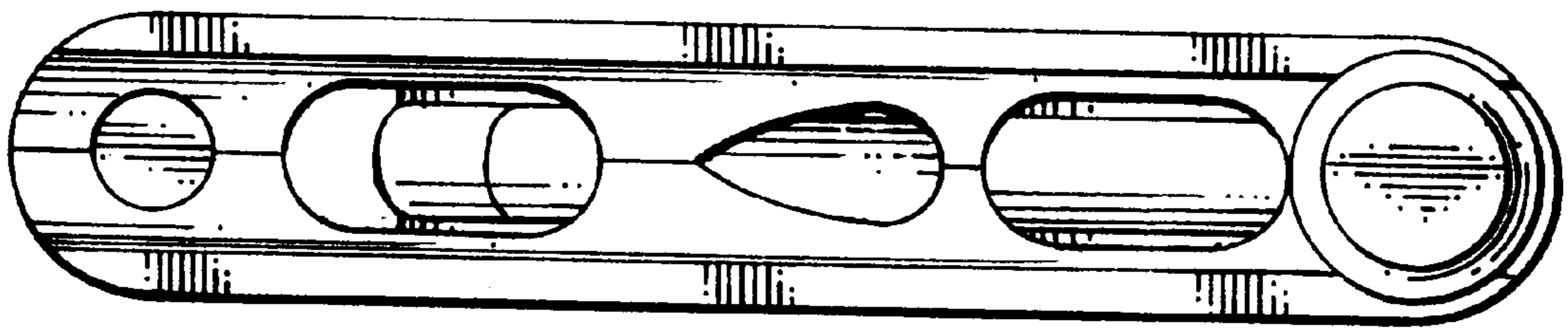


FIG. 6