

US00D463297S

(12) **United States Design Patent**  
**Okamoto et al.**

(10) **Patent No.:** **US D463,297 S**

(45) **Date of Patent:** **\*\* Sep. 24, 2002**

(54) **CONSTANT TEMPERATURE CULTIVATING APPARATUS**

6,257,319 B1 \* 7/2001 Kainuma et al. .... 324/760

**FOREIGN PATENT DOCUMENTS**

(75) Inventors: **Yasutoshi Okamoto**, Moriguchi (JP);  
**Akihiro Mochizuki**, Moriguchi (JP)

JP 887664 1/1994

\* cited by examiner

(73) Assignee: **Sanyo Electric Co., Ltd.**, Osaka-fu (JP)

*Primary Examiner*—Antoine Duval Davis

(\*\*) Term: **14 Years**

(74) *Attorney, Agent, or Firm*—Weingarten, Schurgin,  
Gagnebin & Lebovici LLP

(21) Appl. No.: **29/137,807**

(57) **CLAIM**

(22) Filed: **Feb. 28, 2001**

The ornamental design for constant temperature cultivating apparatus, as shown.

(30) **Foreign Application Priority Data**

Sep. 1, 2000 (JP) ..... 2000-024431

**DESCRIPTION**

(51) **LOC (7) Cl.** ..... **10-04**

(52) **U.S. Cl.** ..... **D10/52**

(58) **Field of Search** ..... D10/52; 73/865.6,  
73/866, 54.01, 54.02, 54.04, 54.08, 54.09,  
54.11, 54.14; 62/151, 176.5, 173, 186,  
380, 180, 480; 324/500, 537, 760; 165/11.1,  
11.2; 250/339.11, 373; 356/36, 364, 365,  
317, 318, 300, 301

FIG. 1 is a perspective view of constant temperature cultivating apparatus at the upper right-side direction;  
FIG. 2 is a front view thereof;  
FIG. 3 is a rear view thereof;  
FIG. 4 is a top view thereof;  
FIG. 5 is a bottom view thereof;  
FIG. 6 is a right-side view thereof;  
FIG. 7 is a left-side view thereof; and,  
FIG. 8 is a perspective view showing the status of opening of a door of constant temperature cultivating apparatus.

(56) **References Cited**

**U.S. PATENT DOCUMENTS**

6,199,437 B1 \* 3/2001 Kumaraswamy et al. .... 73/866

**1 Claim, 5 Drawing Sheets**

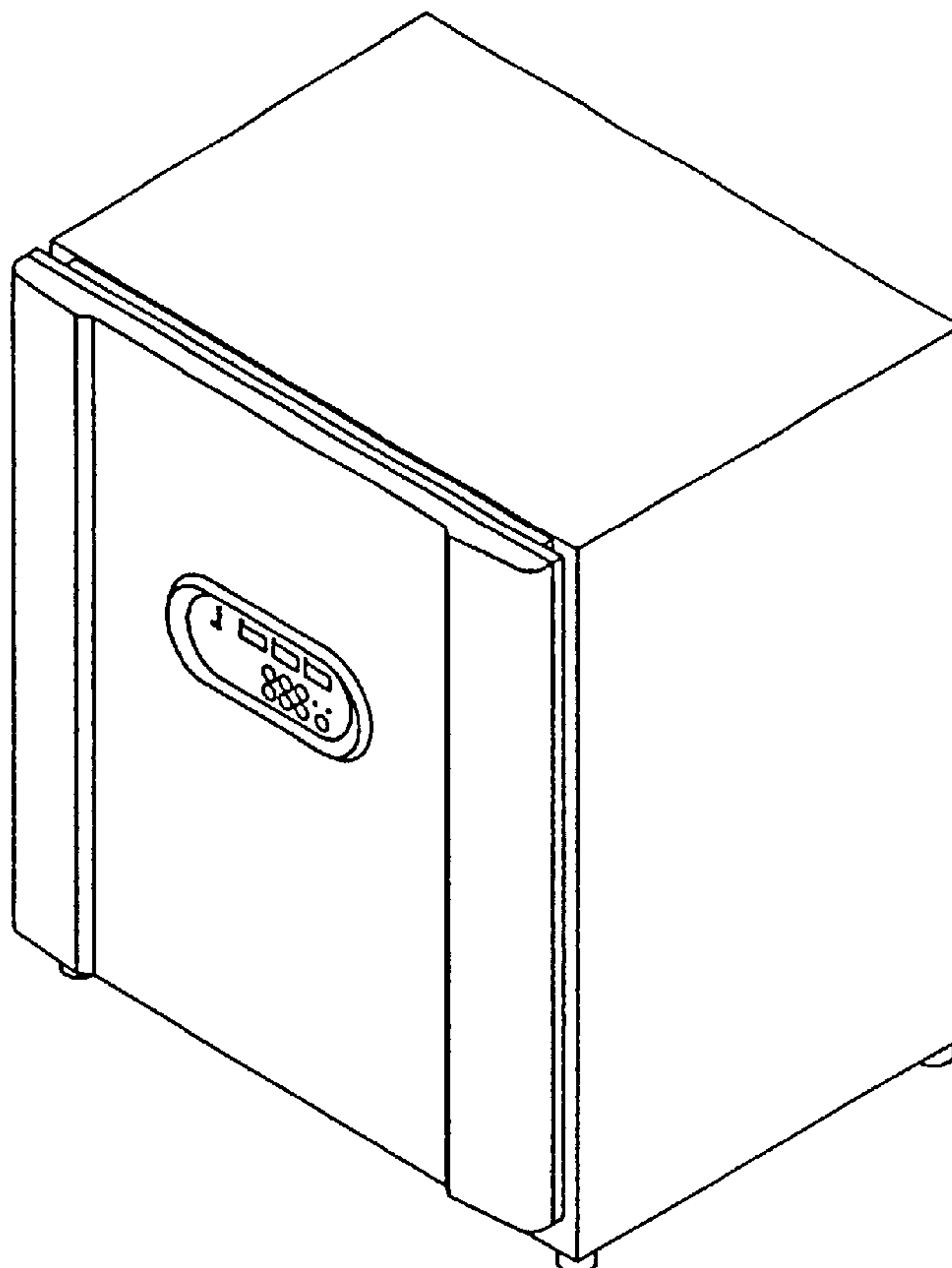


Fig. 1

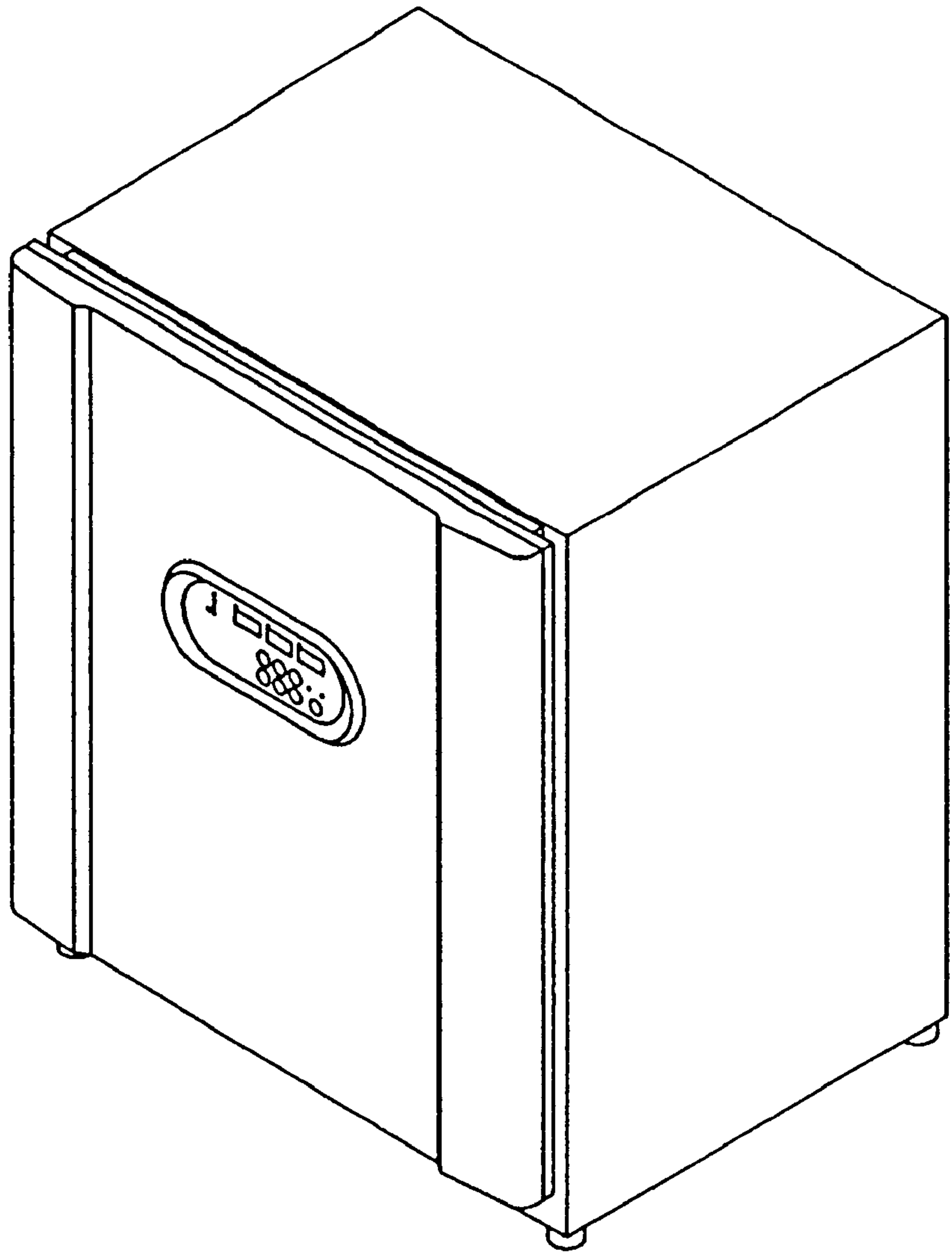


Fig. 2

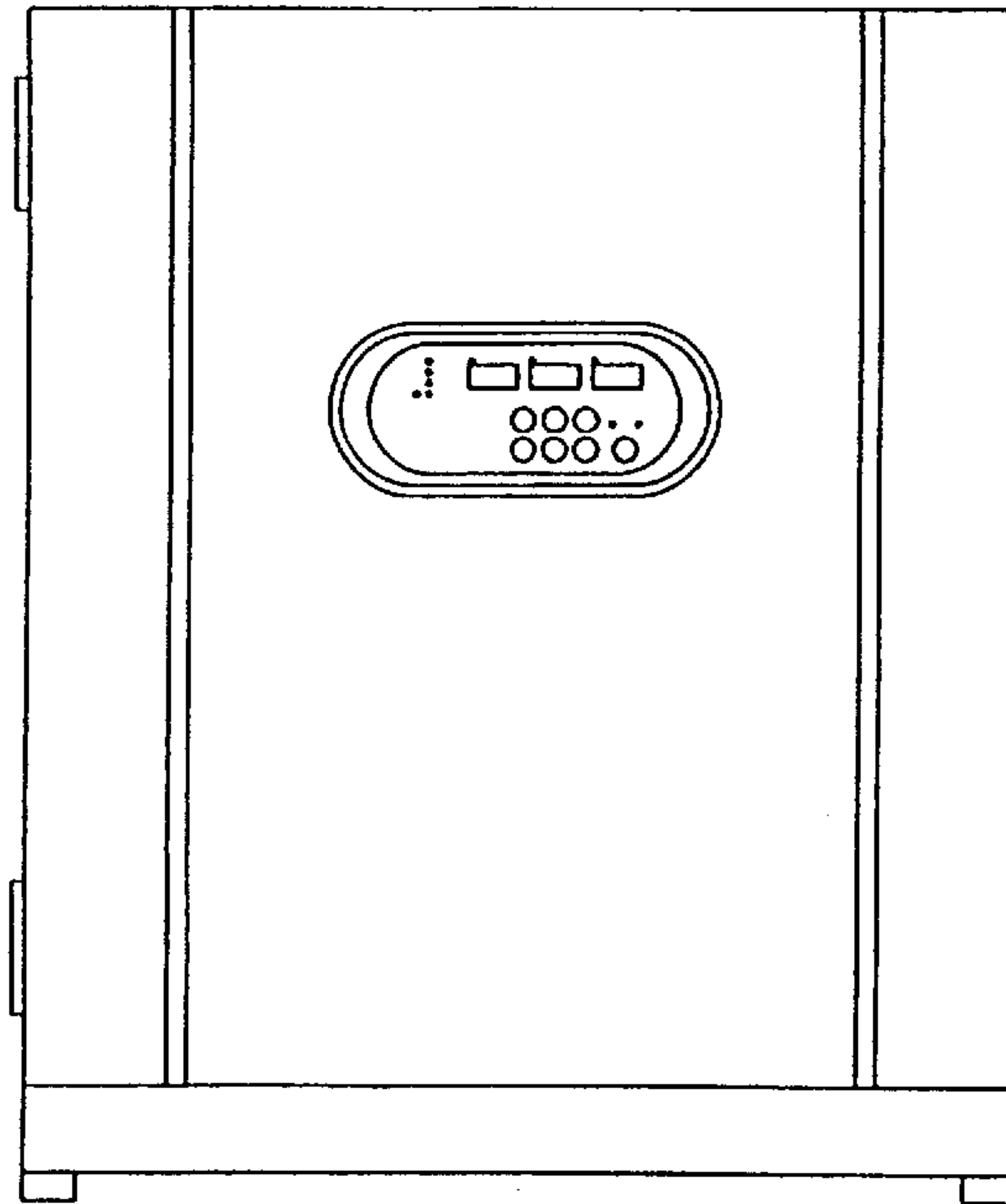


Fig. 3

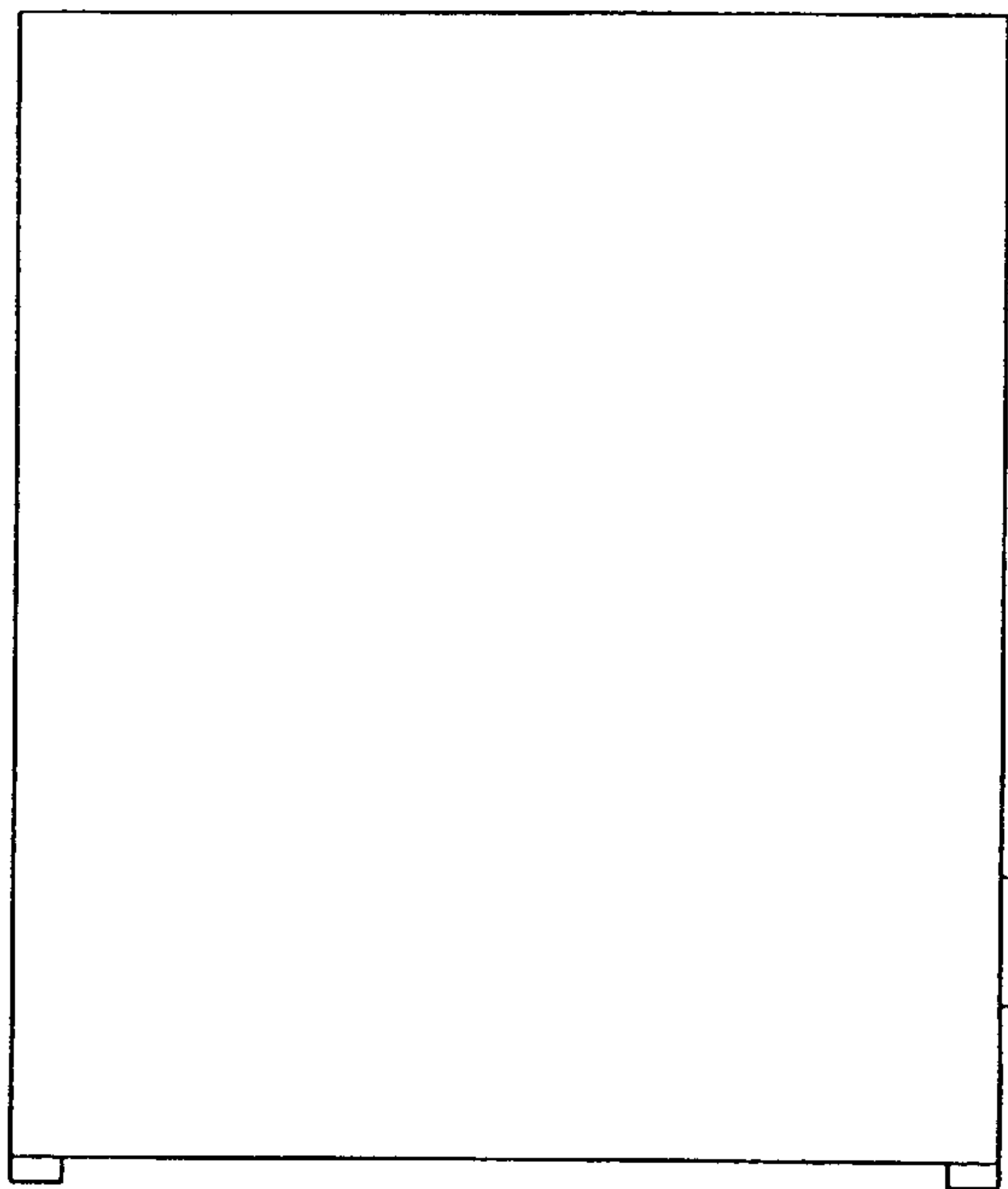


Fig. 4

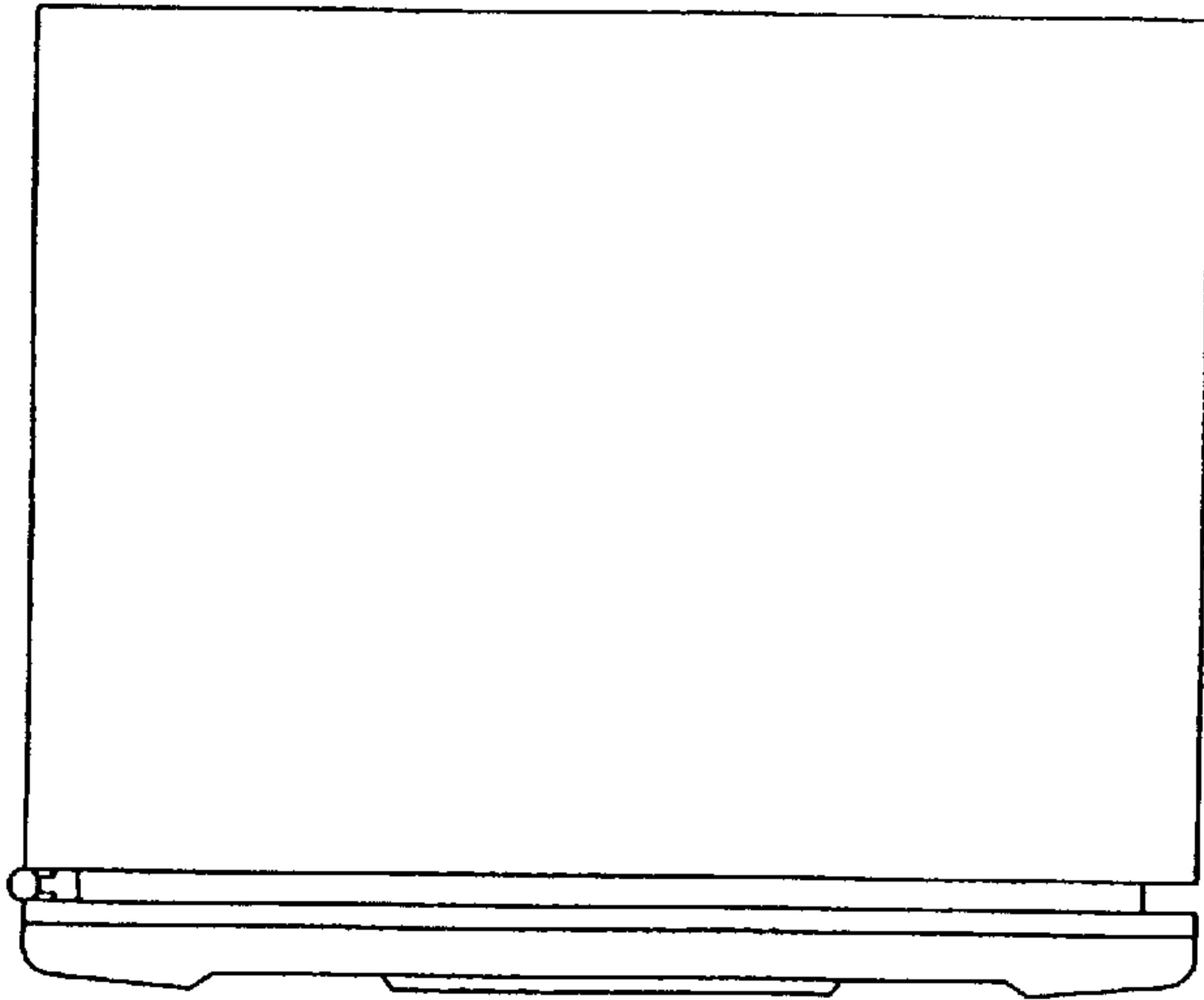


Fig. 5

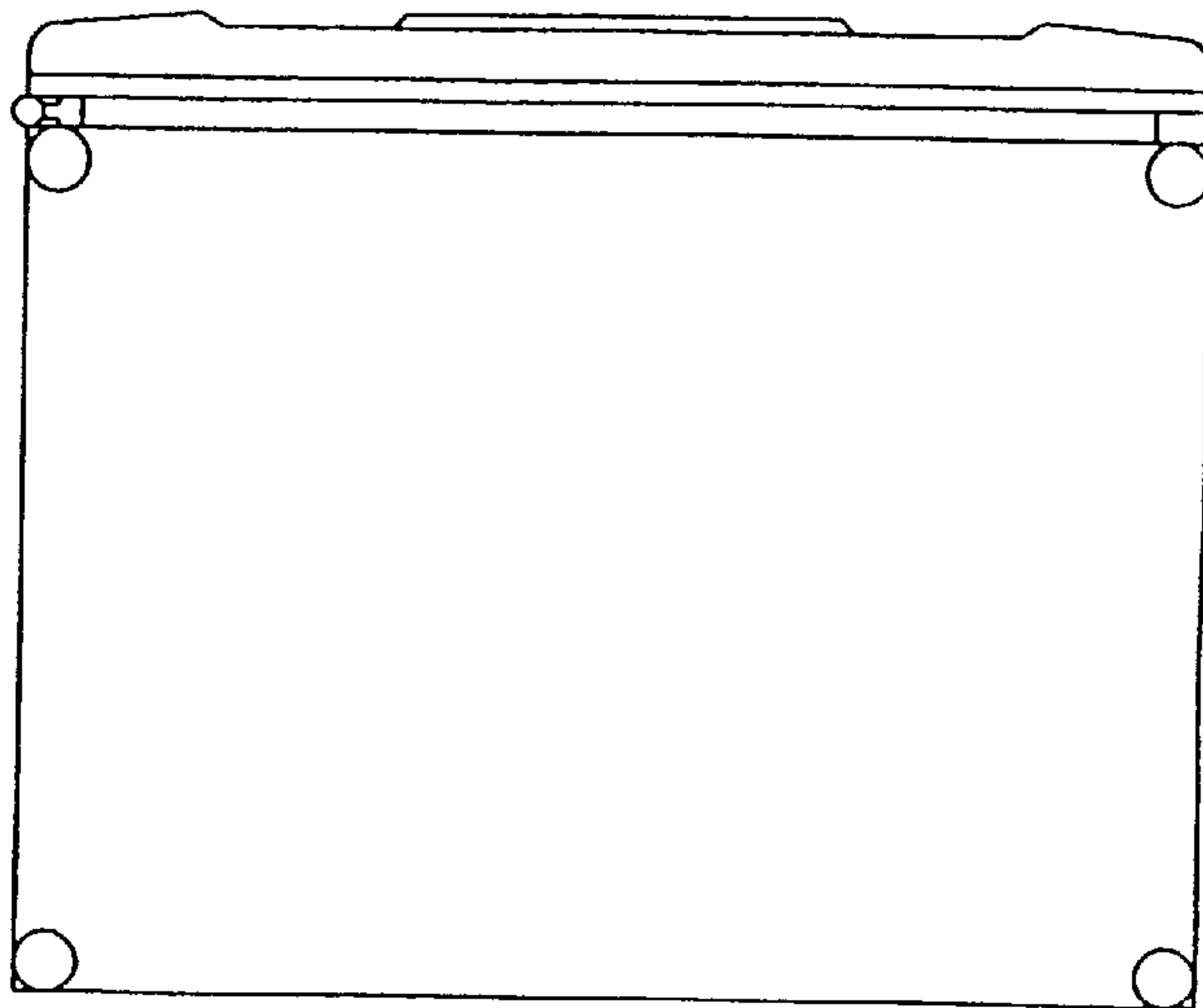


Fig. 6

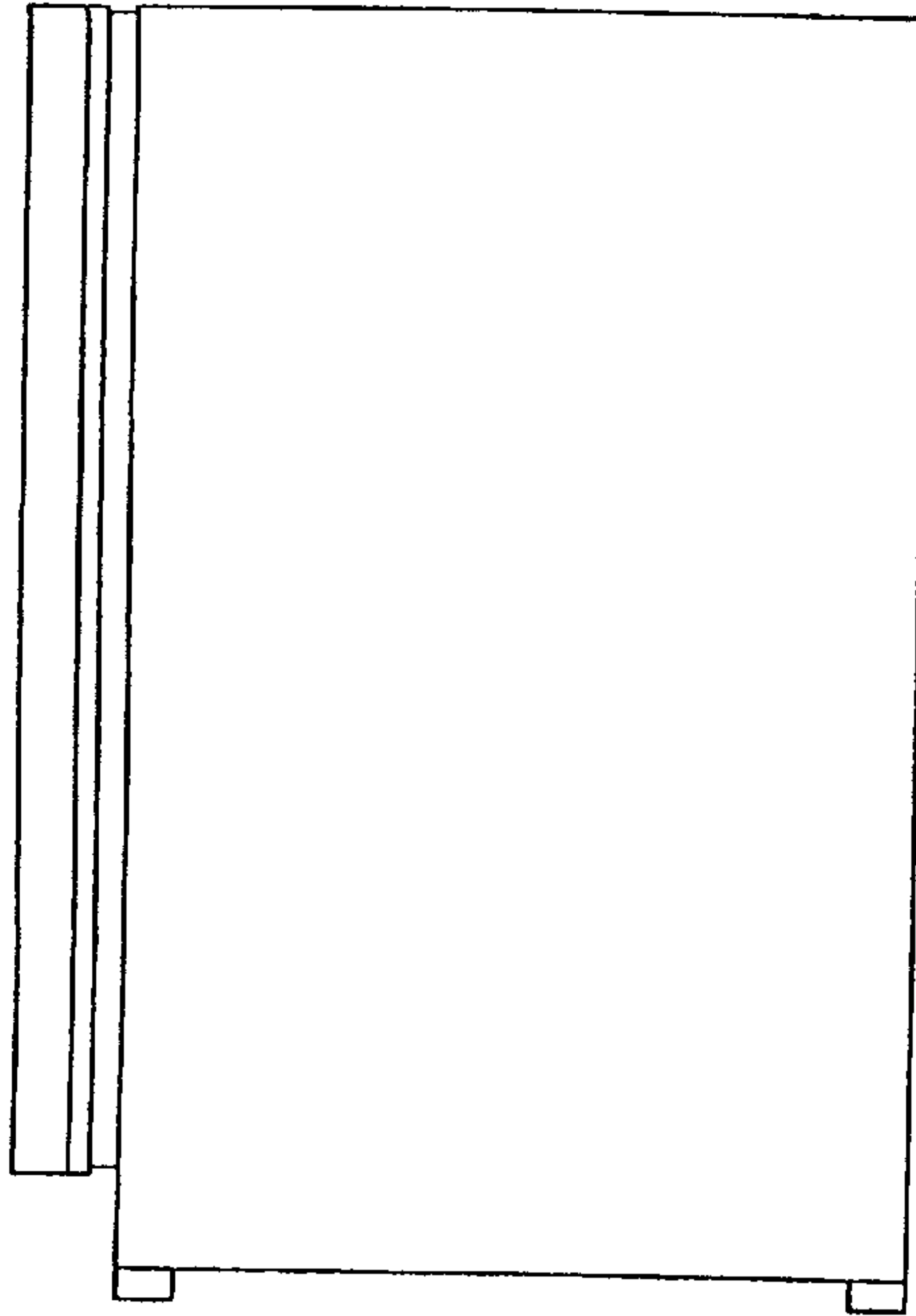


Fig. 7

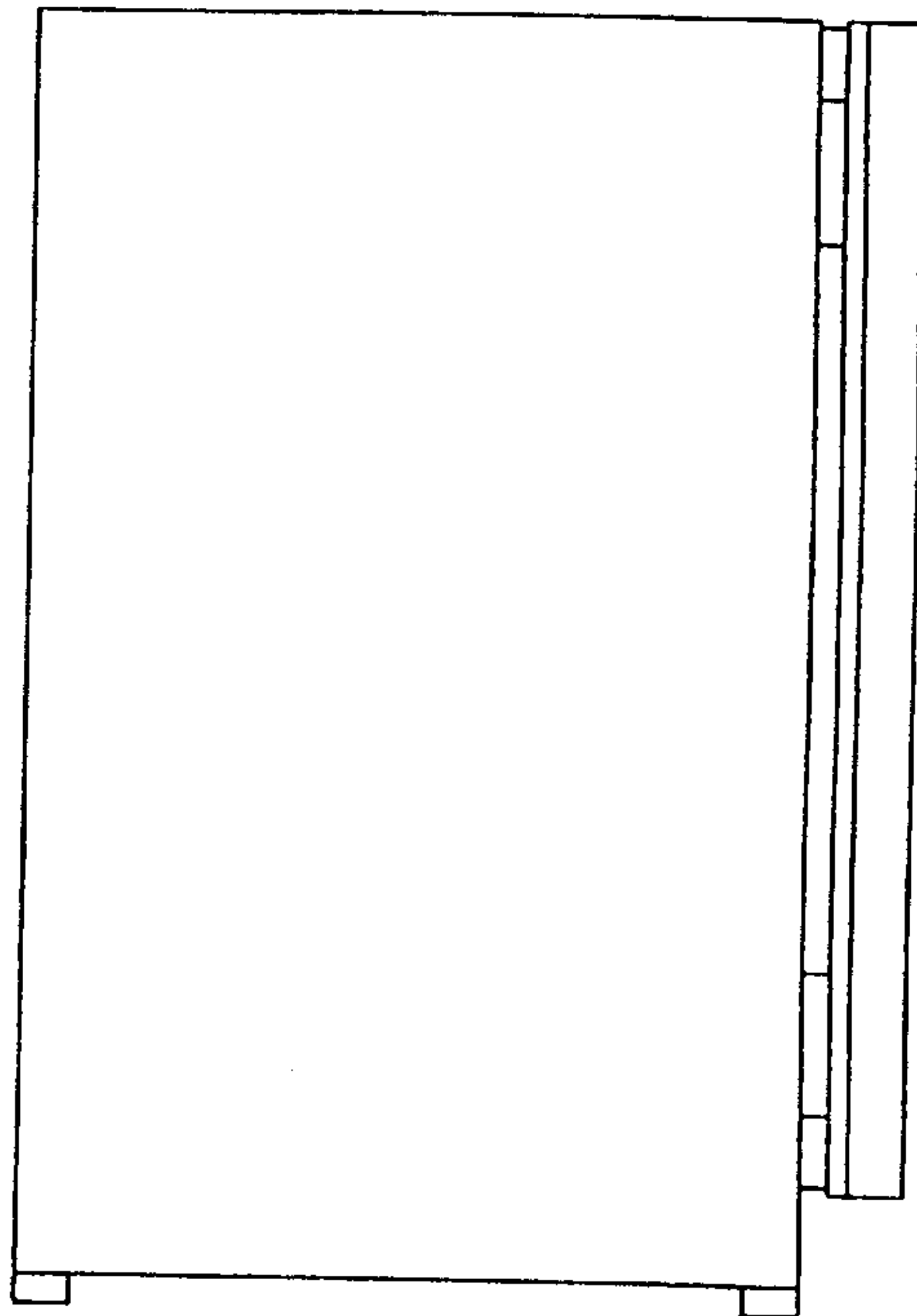
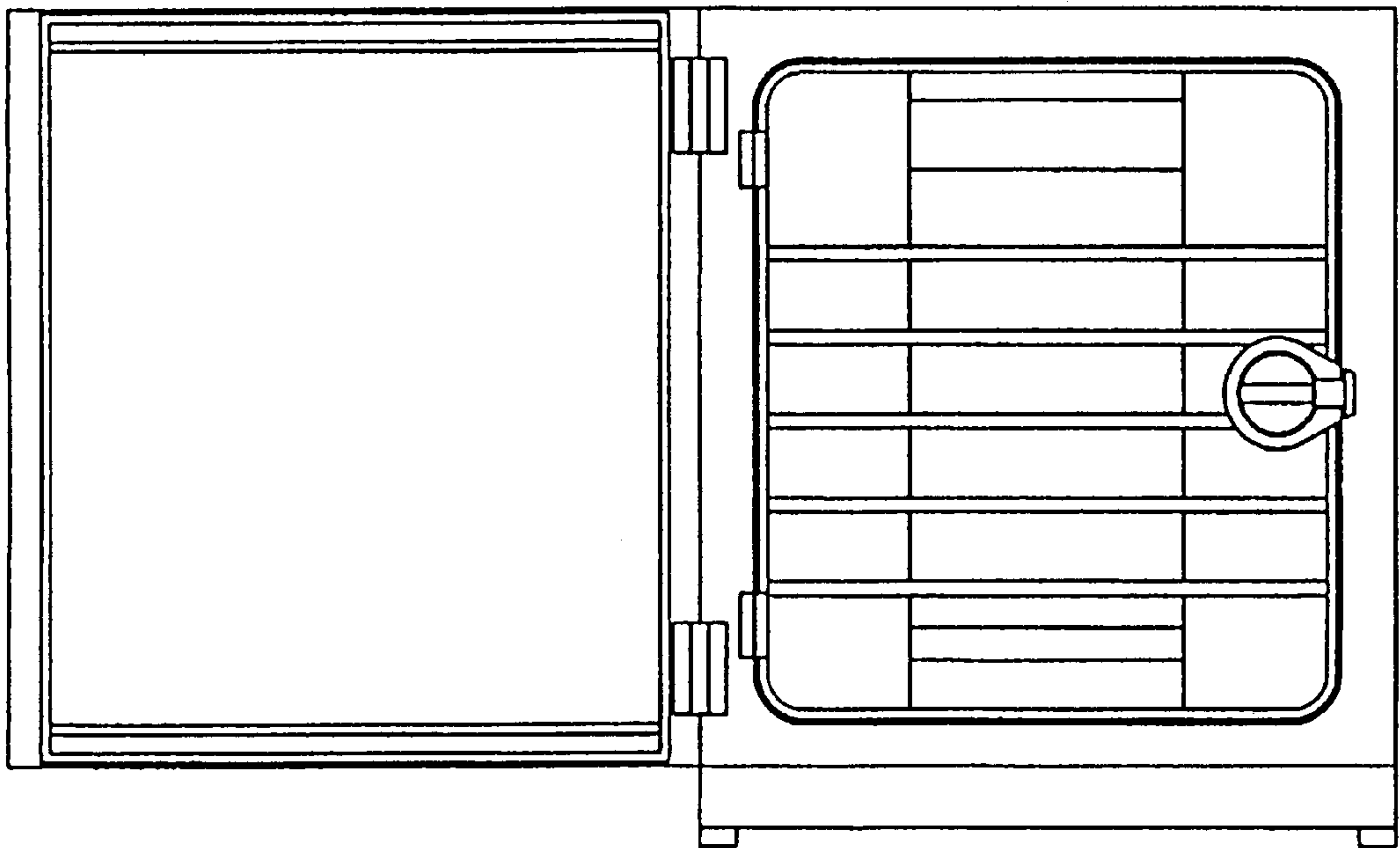


Fig. 8



UNITED STATES PATENT AND TRADEMARK OFFICE  
**CERTIFICATE OF CORRECTION**

PATENT NO. : Des. 463,297 S  
DATED : September 24, 2002  
INVENTOR(S) : Yasutoshi Okamoto et al.

Page 1 of 1

It is certified that error appears in the above-identified patent and that said Letters Patent is hereby corrected as shown below:

Title page,

Item [75], Inventors, “**Yasutoshi Okamoto**, Moriguchi (JP); **Akihiro Mochizuki**, Moriguchi (JP)” should read -- **Yasutoshi Okamoto**, Moriguchi-shi (JP); **Akihiro Mochizuki**, Moriguchi-shi (JP) --.

Signed and Sealed this

Sixteenth Day of December, 2003

A handwritten signature in black ink, appearing to read "James E. Rogan", with a horizontal line drawn underneath it.

JAMES E. ROGAN  
*Director of the United States Patent and Trademark Office*