

US00D463296S

(12) **United States Design Patent**
Sanomi

(10) **Patent No.:** **US D463,296 S**

(45) **Date of Patent:** **** Sep. 24, 2002**

(54) **WRIST RADIUS WATCH**

JP 57006380 * 1/1982
WO 09012347 * 10/1990

(76) Inventor: **Eseoghene Esther Sanomi, 27**
Carnwath Ct., Edison, NJ (US) 08817

OTHER PUBLICATIONS

(**) Term: **14 Years**

Jeweler's Circular—Keystone—Sep. 1972—p. 24—watch at top.*

(21) Appl. No.: **29/131,483**

* cited by examiner

(22) Filed: **Oct. 23, 2000**

Primary Examiner—Nelson C. Holtje

(51) **LOC (7) Cl.** **10-02**

(52) **U.S. Cl.** **D10/39**

(58) **Field of Search** D10/1-39, 122-132;
368/276-277, 285, 281-282; D11/3-25;
63/1-11, 3, 5

(57) **CLAIM**

The ornamental design for a wrist radius watch, as shown and described.

(56) **References Cited**

DESCRIPTION

U.S. PATENT DOCUMENTS

FIG. 1 is a right perspective view. A clasp mechanism, not shown, forms no part of the claimed design;

- 265,044 A * 9/1882 Engelman D11/4 X
- D296,675 S * 7/1988 Jones et al. D10/31
- D299,028 S * 12/1988 Hermann D14/100
- D383,073 S * 9/1997 Miller D10/31
- D402,654 S * 12/1998 Consolo D14/144
- D410,854 S * 6/1999 Cheung et al. D10/39
- D444,396 S * 7/2001 Tripet D10/32

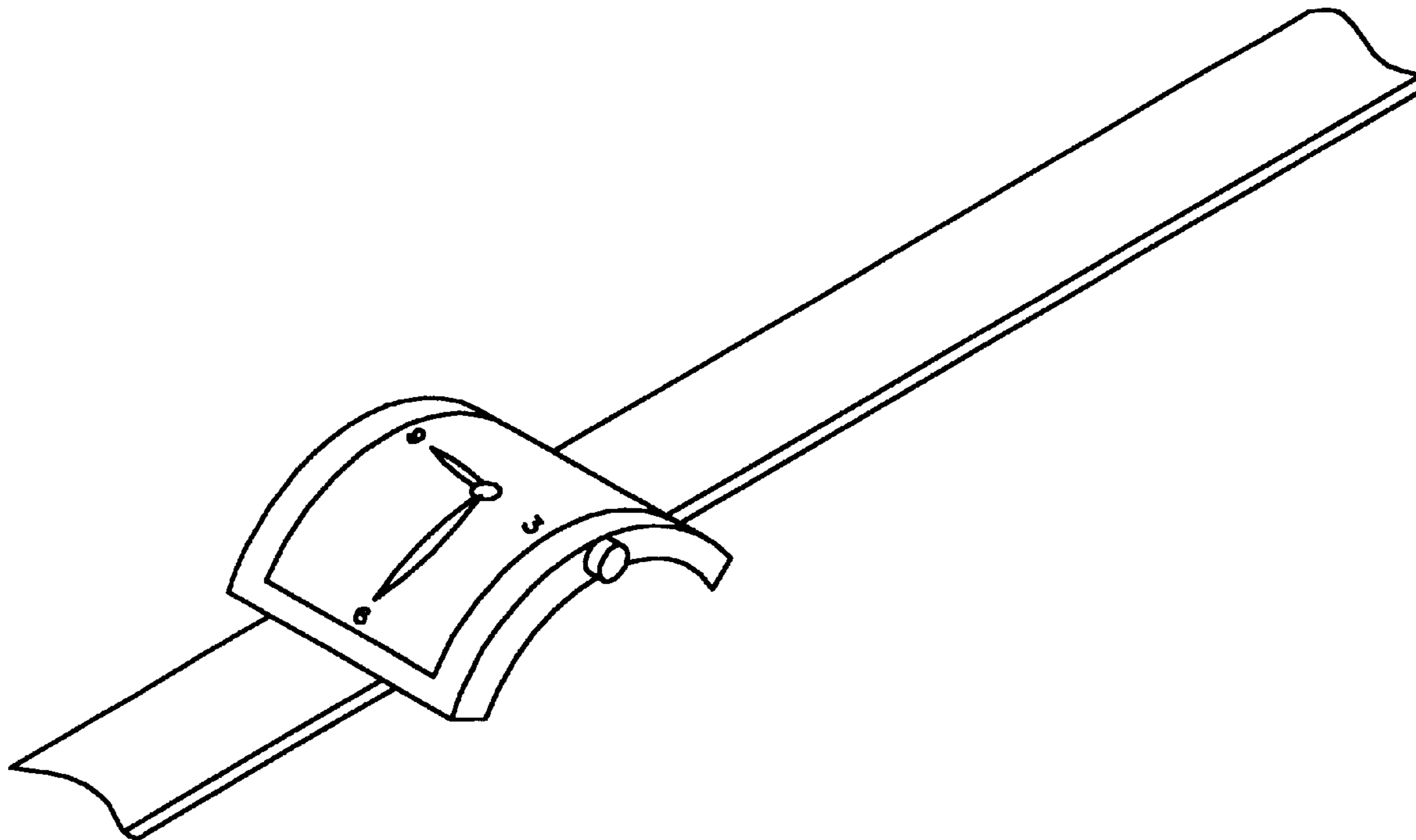
FIG. 2 is a top perspective view of my new design applied to a hand; and,

FIG. 3 is a side perspective view showing a clasp mechanism position. The opposite side is flat and unornamented. The hands and clasp shown in broken lines are for illustrative purposes only and form no part of the claimed design.

FOREIGN PATENT DOCUMENTS

EP 00189372 * 7/1986

1 Claim, 3 Drawing Sheets



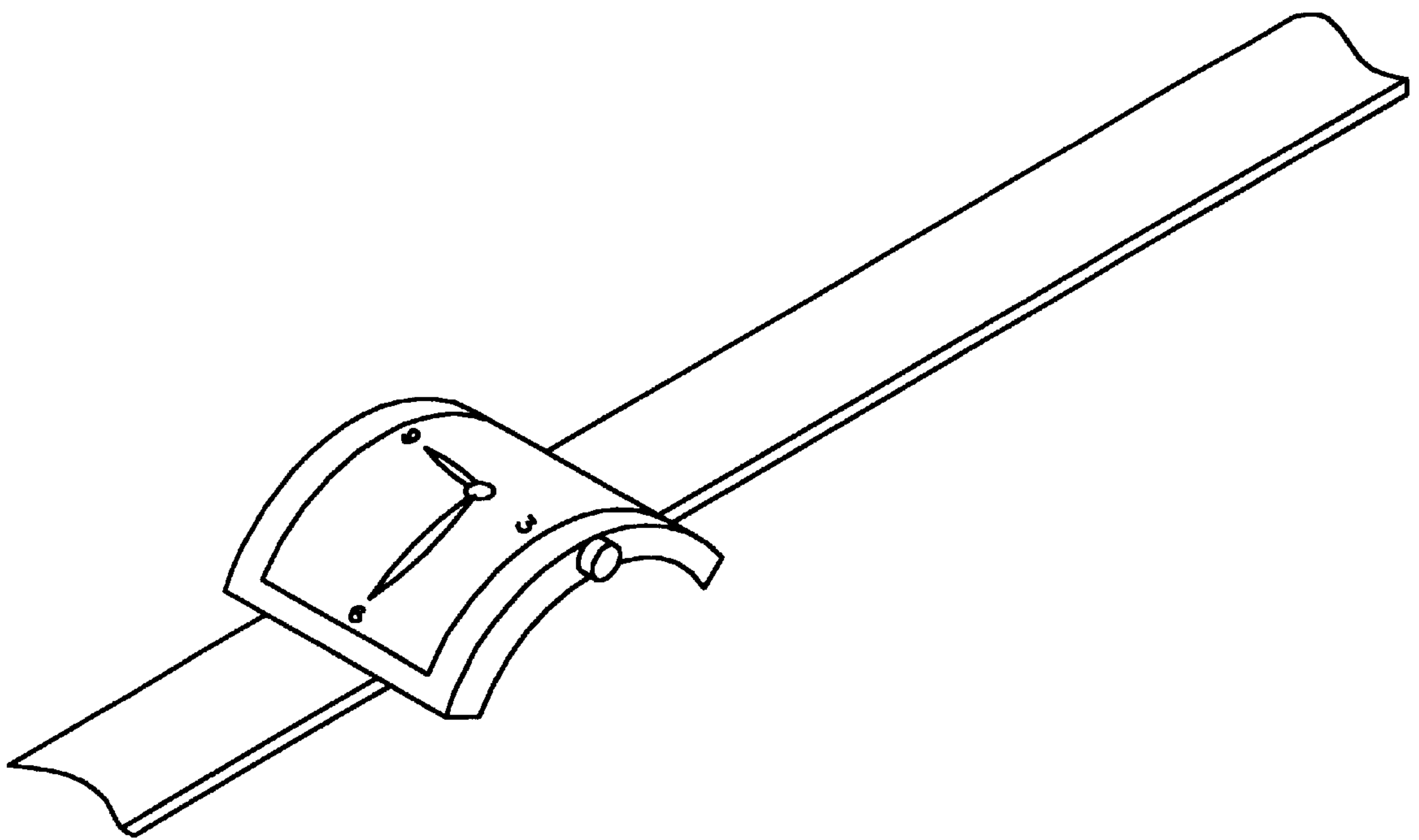


FIG. 1

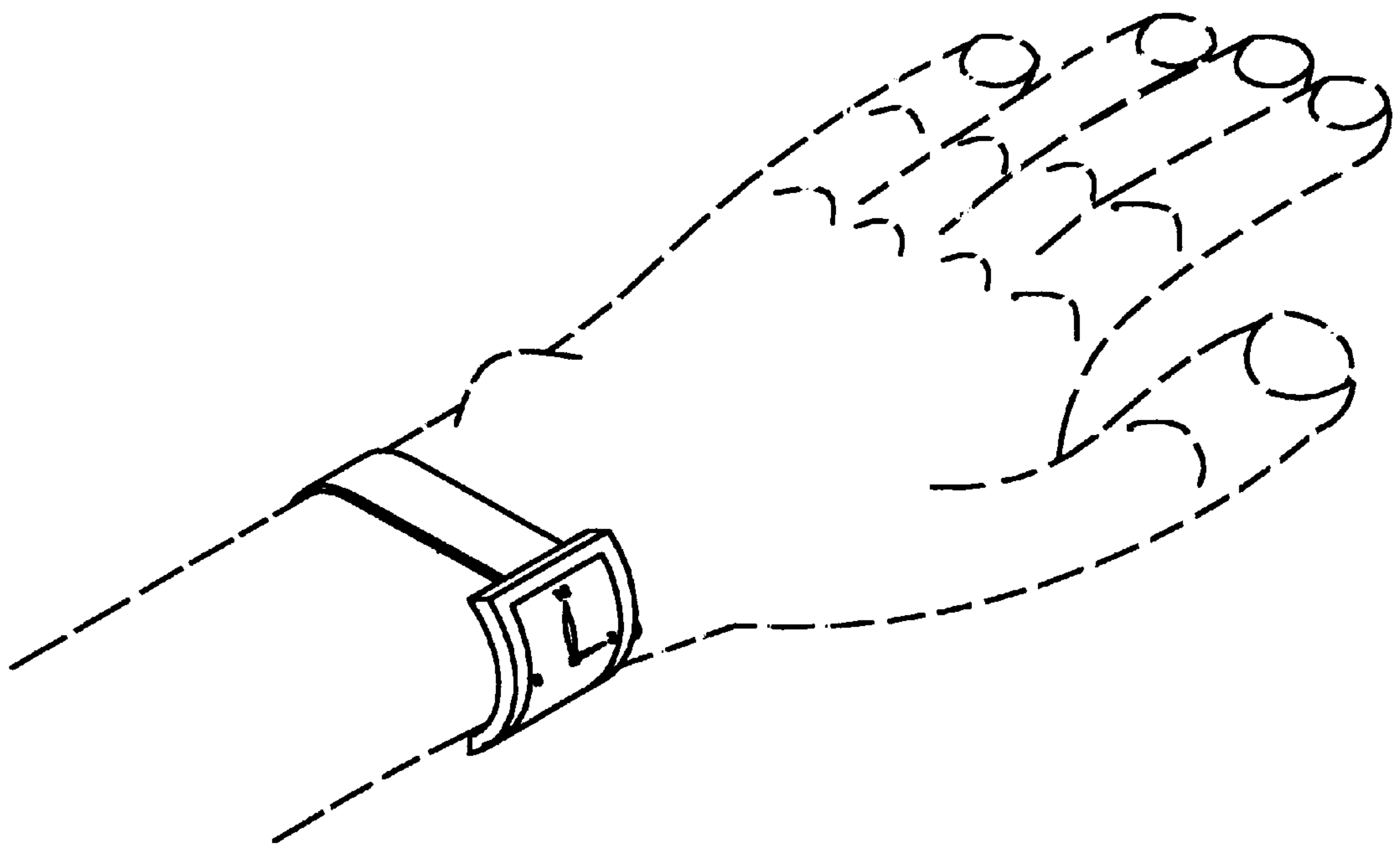


FIG. 2

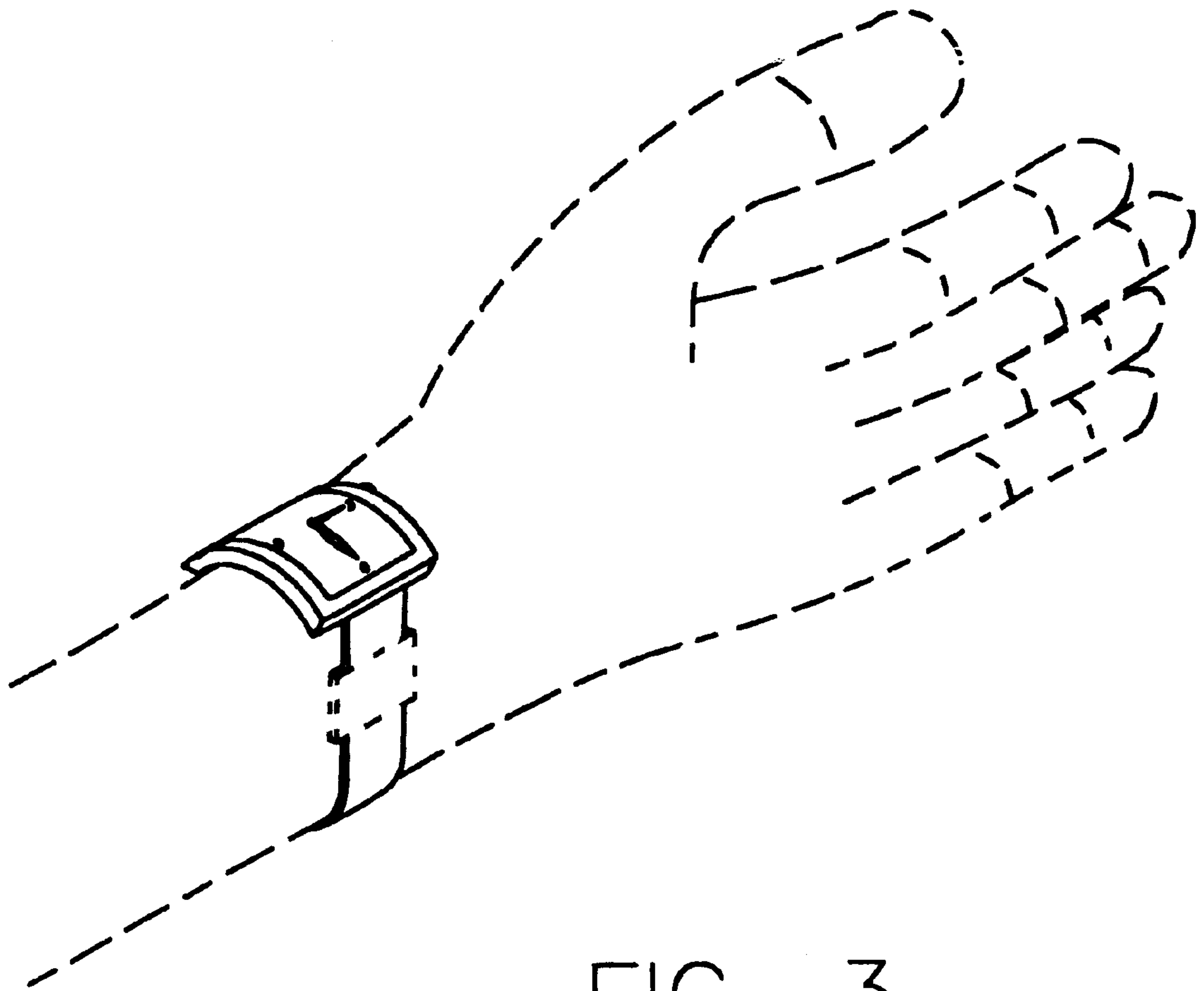


FIG. 3