



US00D463282S

(12) **United States Design Patent**
Mitchell

(10) **Patent No.:** **US D463,282 S**

(45) **Date of Patent:** **** Sep. 24, 2002**

(54) **CONTAINER AND CLOSURE THEREFOR**

(75) Inventor: **Paul Bernard Mitchell**, Auckland (NZ)

(73) Assignee: **Viscount Plastics (NZ) Limited**,
Auckland (NZ)

(**) Term: **14 Years**

(21) Appl. No.: **29/125,479**

(22) Filed: **Jun. 26, 2000**

(30) **Foreign Application Priority Data**

Dec. 24, 1999 (NZ) 400366

(51) **LOC (7) Cl.** **09-01**

(52) **U.S. Cl.** **D9/500**

(58) **Field of Search** D9/434, 435, 454,
D9/500, 503, 504, 558; 215/200, 237, 316,
317; 220/648, 659, 670, 672, 674

(56) **References Cited**

U.S. PATENT DOCUMENTS

D248,216 S	*	6/1978	Allen et al.	D9/503
D249,640 S	*	9/1978	Edwards	D9/503
D266,485 S	*	10/1982	Guerette	D9/500
D269,157 S	*	5/1983	Scott, III	D9/500
D278,800 S	*	5/1985	Bowen et al.	D9/532
D287,824 S	*	1/1987	Rayner	D9/532
D297,709 S	*	9/1988	Willerup	D9/549
4,972,963 A	*	11/1990	Guarriello et al.	220/659
D346,328 S	*	4/1994	Labrie	D9/500
D350,068 S	*	8/1994	Schwartzburg	D9/434
D358,531 S	*	5/1995	Cousins et al.	D7/612
5,427,266 A	*	6/1995	Yun	220/377
D361,956 S	*	9/1995	Moore	D11/152

* cited by examiner

Primary Examiner—Ted Shooman

Assistant Examiner—Selina Sikder

(74) *Attorney, Agent, or Firm*—Young & Thompson

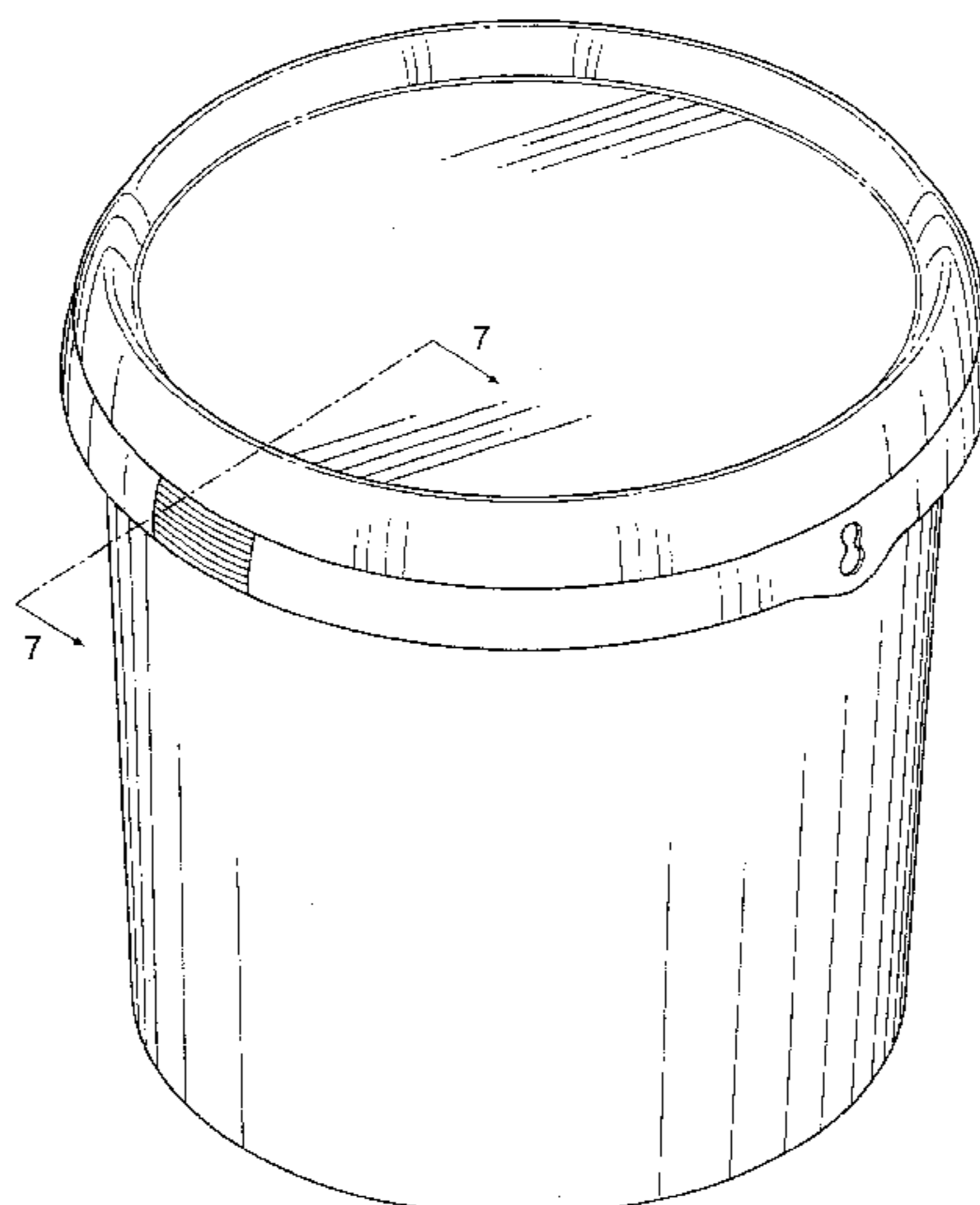
(57) **CLAIM**

The ornamental design for a container and closure therefor, as shown and described.

DESCRIPTION

FIG. 1 is a top and side perspective view of a container and closure therefor, in closed position, showing my new design; FIG. 2 is a perspective view similar to FIG. 1 but with the closure removed; FIG. 3 is a perspective view similar to FIG. 2 with a part in a different position; FIG. 4 is a perspective view similar to FIGS. 2 and 3 but with said part in another position; FIG. 5 is a perspective view similar to FIG. 1 but with a part in a different position; FIG. 6 is a perspective view similar to FIGS. 1 and 5 but with said part in another position; FIG. 7 is a fragmentary cross-sectional view thereof taken on the line 7—7 in FIG. 1; FIG. 8 is a fragmentary cross-sectional view thereof taken on the line 8—8 in FIG. 5; FIG. 9 is a fragmentary cross-sectional view thereof taken in the line 9—9 in FIG. 6; FIG. 10 is a front elevational view thereof; FIG. 11 is a rear elevational view thereof; FIG. 12 is a side elevational view thereof from the right of FIG. 10, the side opposite that shown in FIG. 12 being identical thereto; FIG. 13 is a front elevational view thereof with the closure removed; FIG. 14 is a rear elevational view thereof with the closure removed; FIG. 15 is a side elevational view of the container with the closure removed, from the right of FIG. 14, the side opposite that shown in FIG. 15 being identical thereto; FIG. 16 is a top plan view of the container and closure; FIG. 17 is a bottom plan view of the container, this view being the same with or without the closure; and, FIG. 18 is a top plan view of the container with the closure removed.

1 Claim, 13 Drawing Sheets



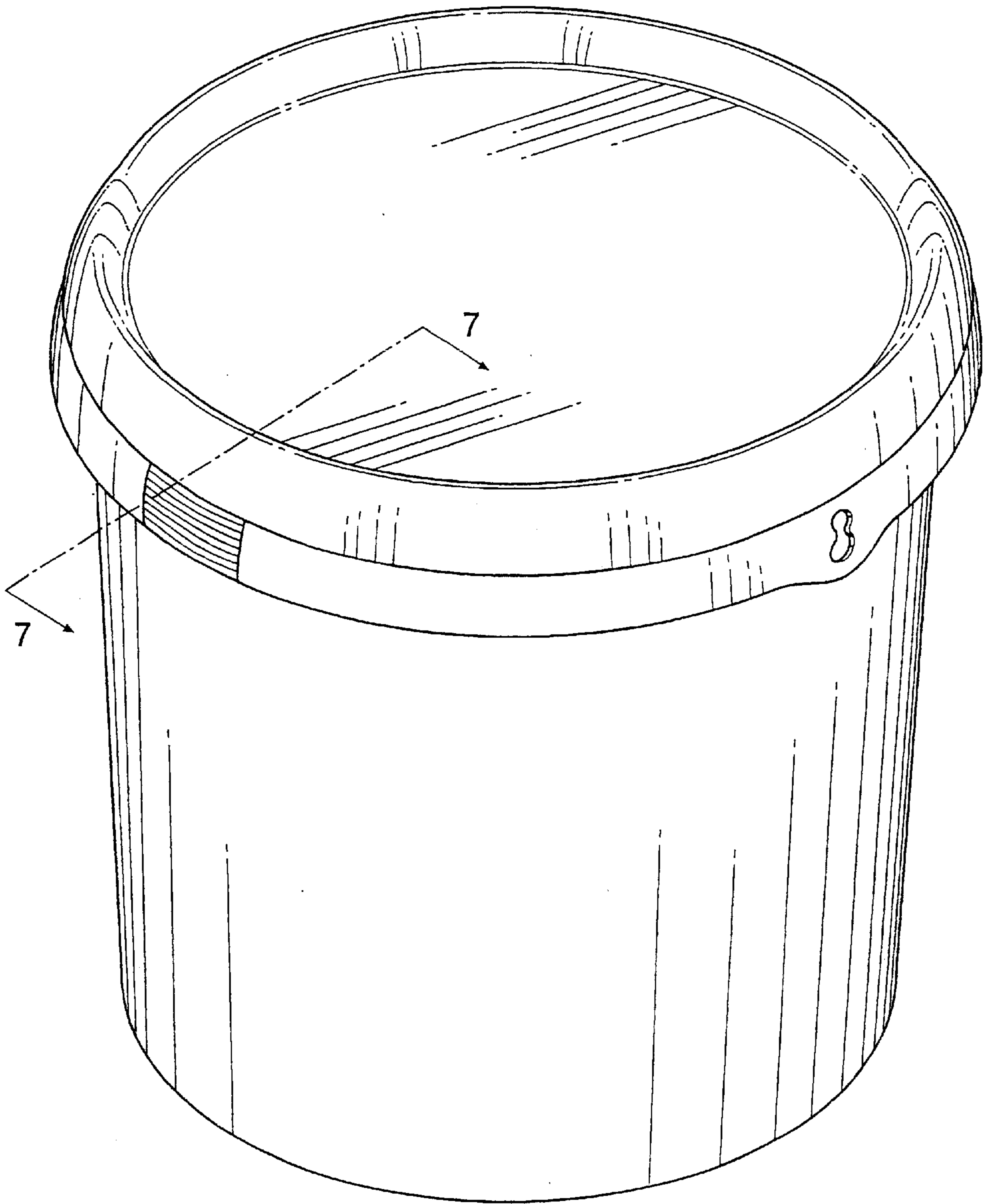


FIG. 1

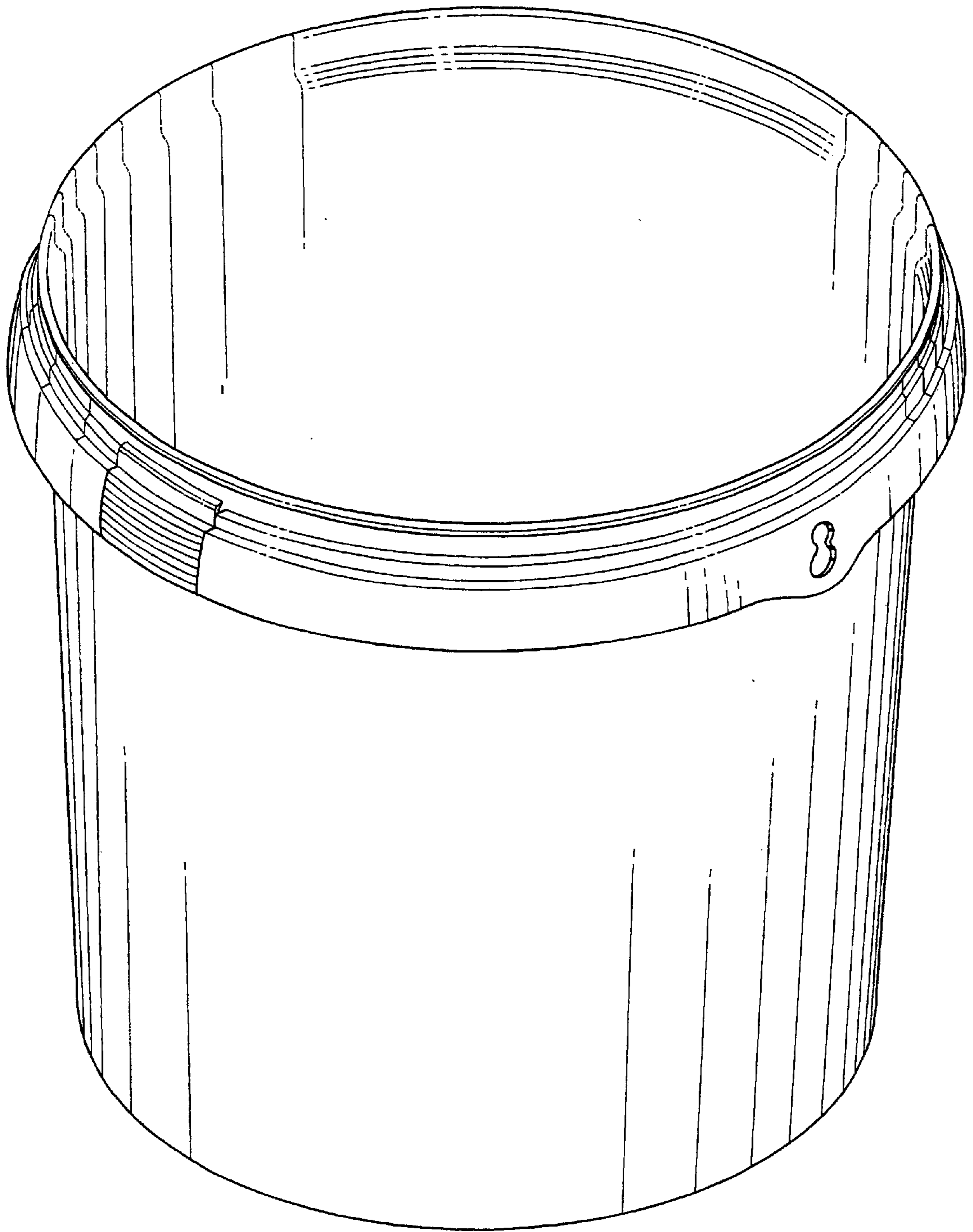


FIG. 2

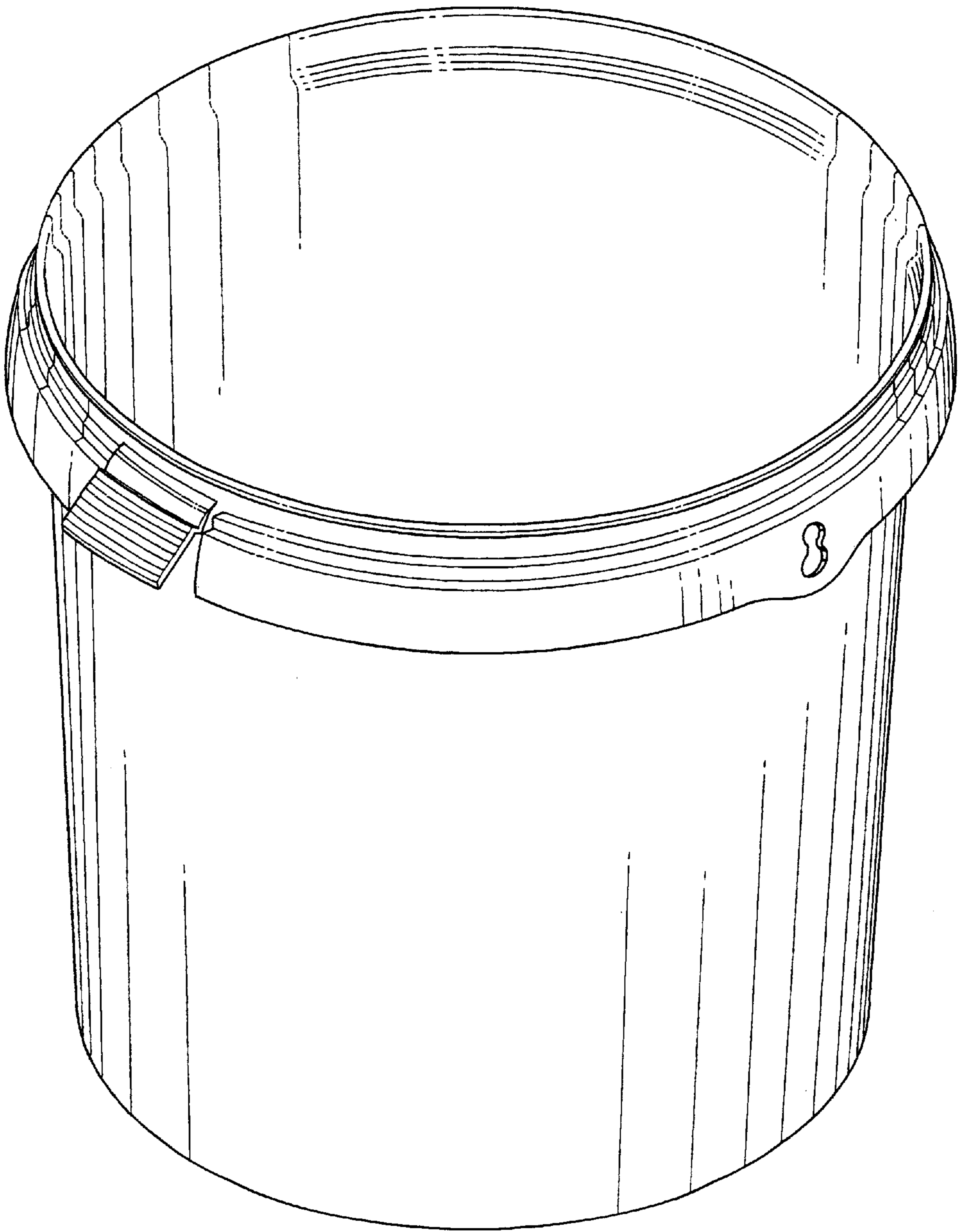


FIG. 3

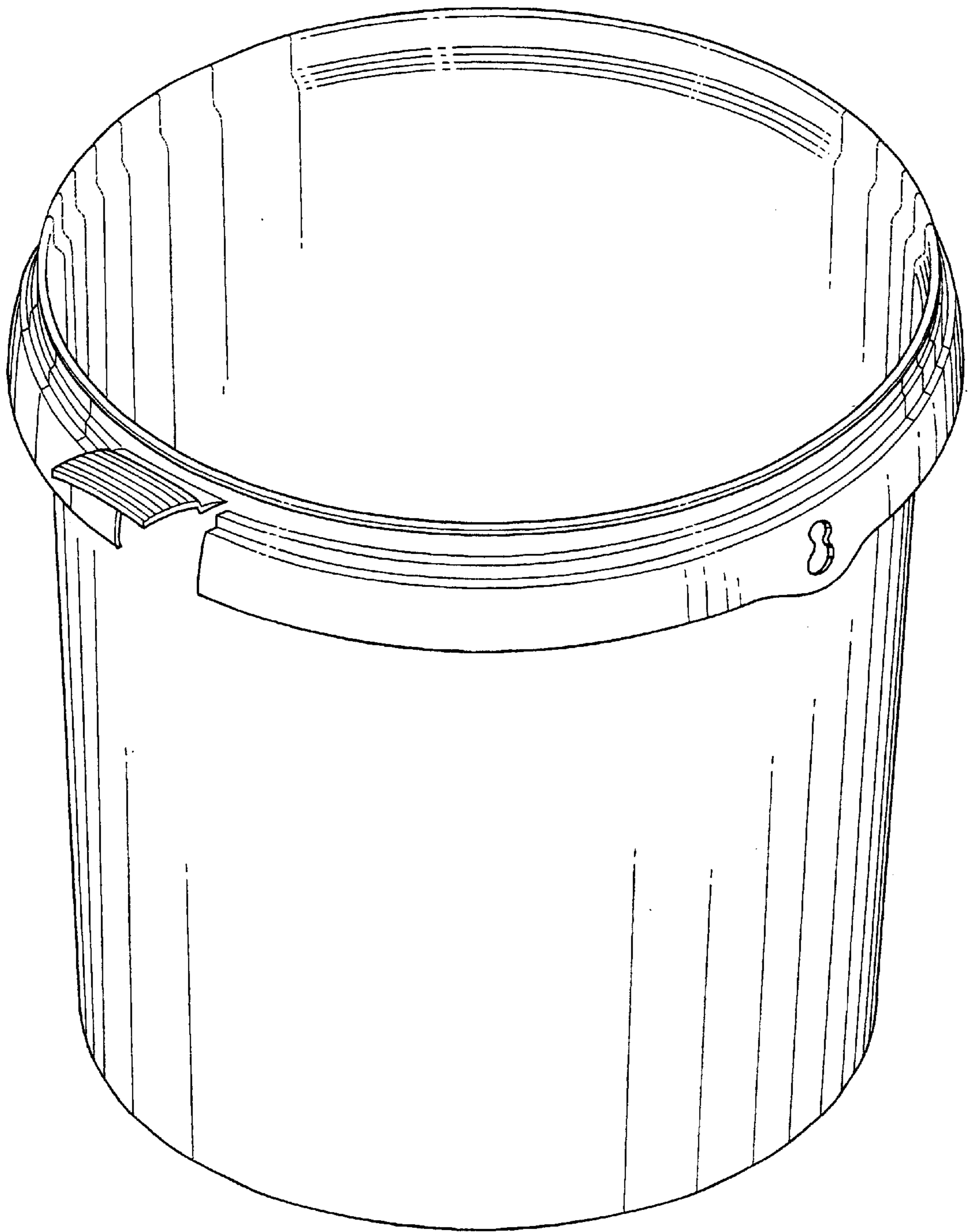


FIG. 4

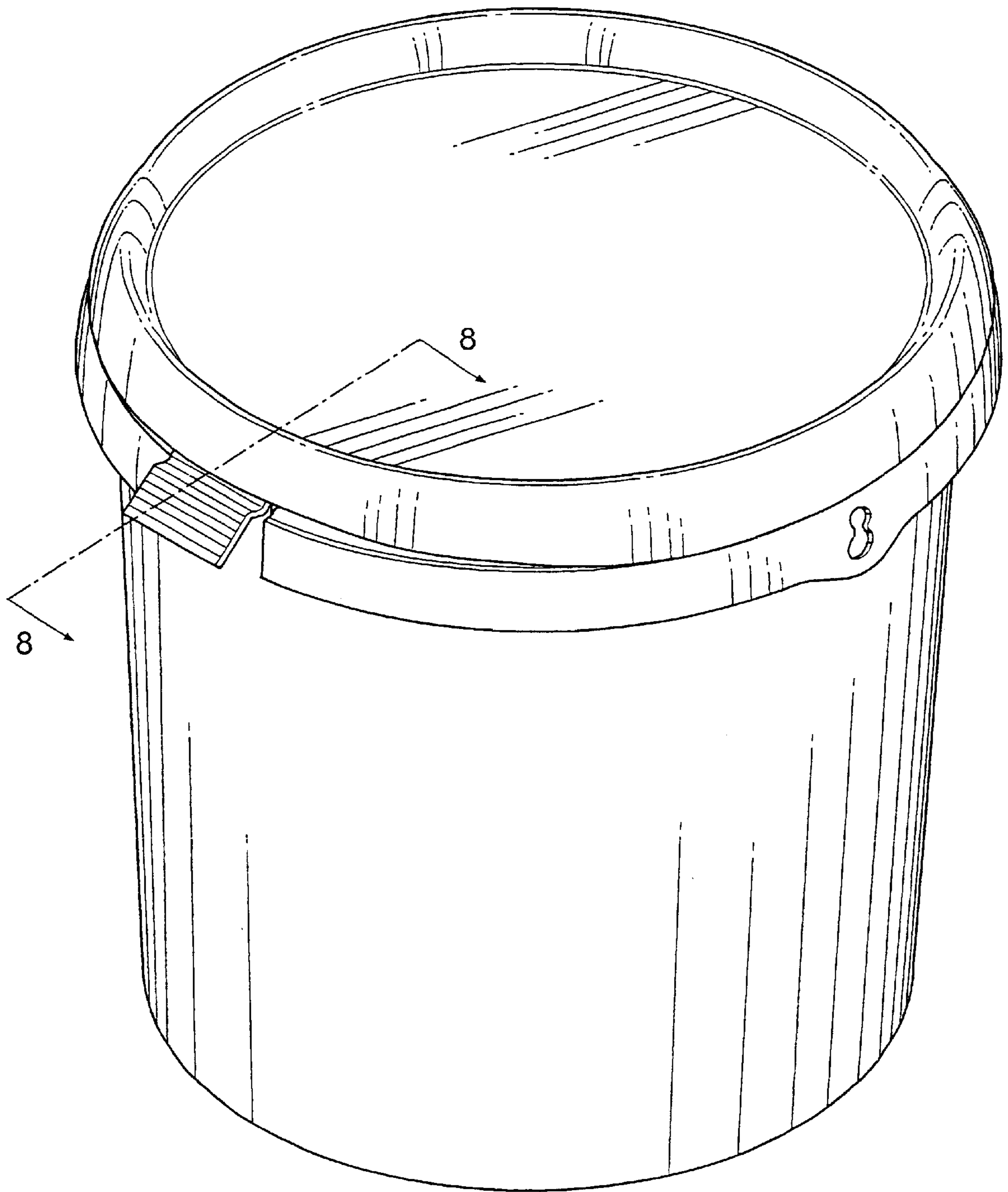


FIG. 5

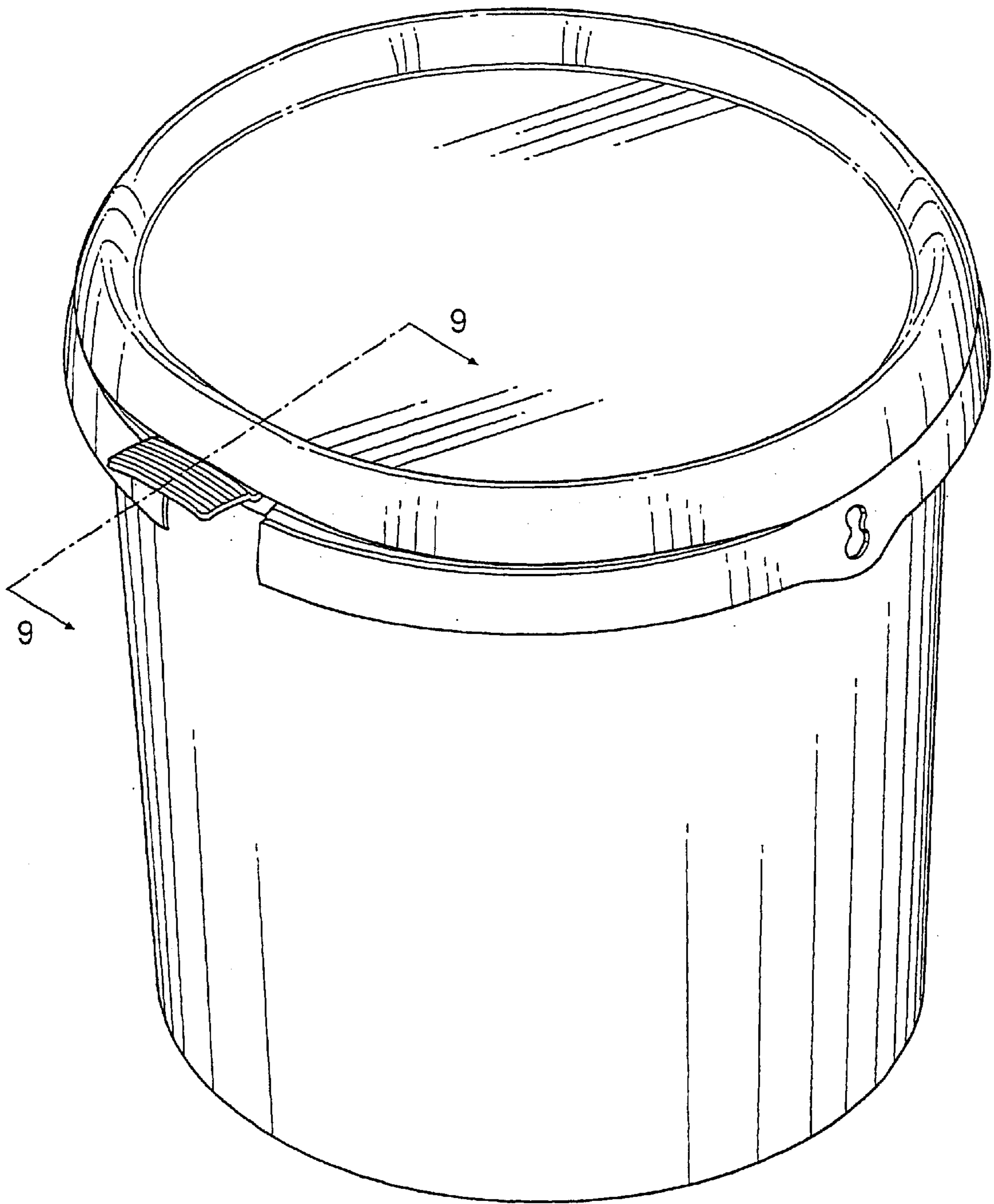
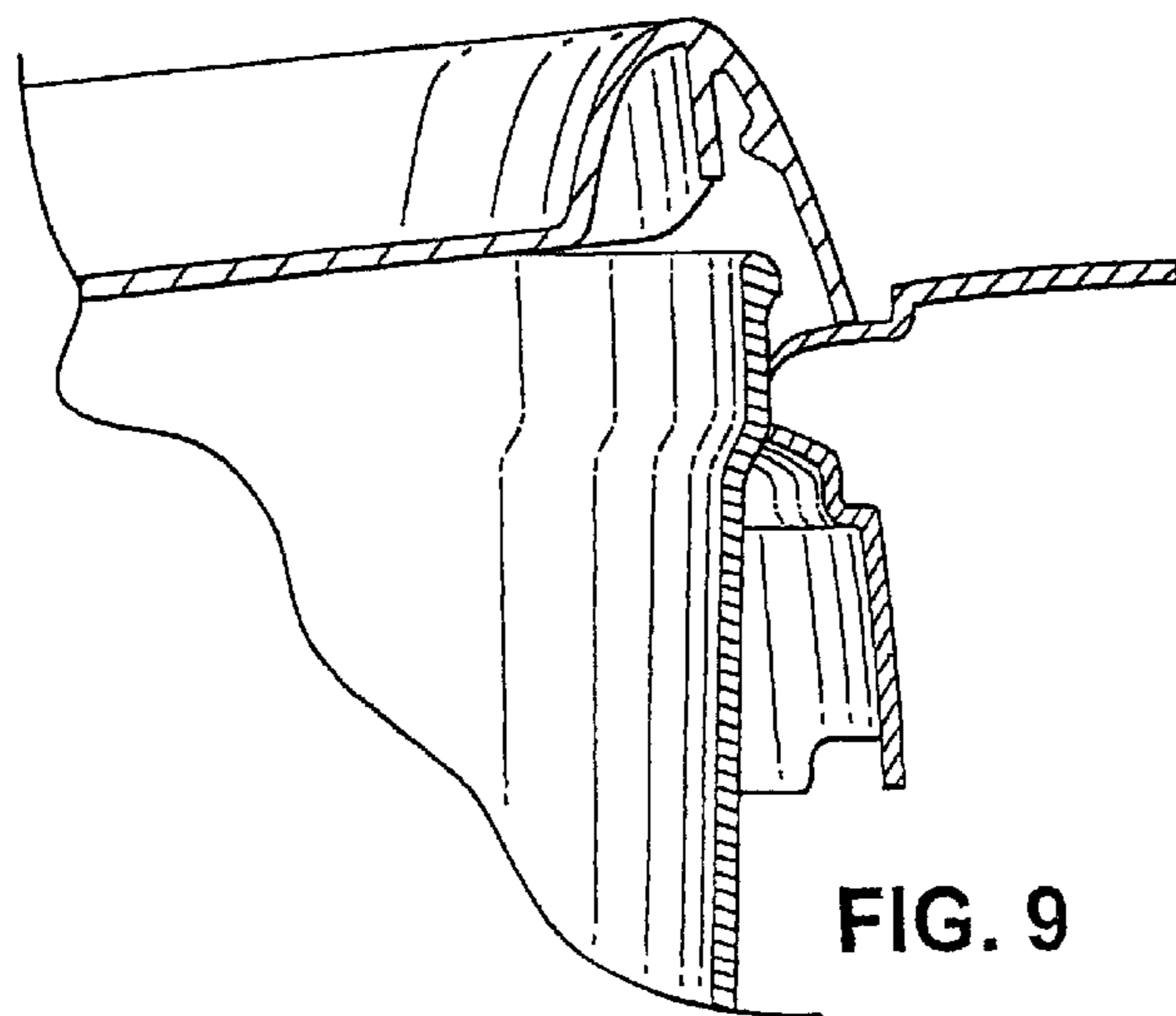
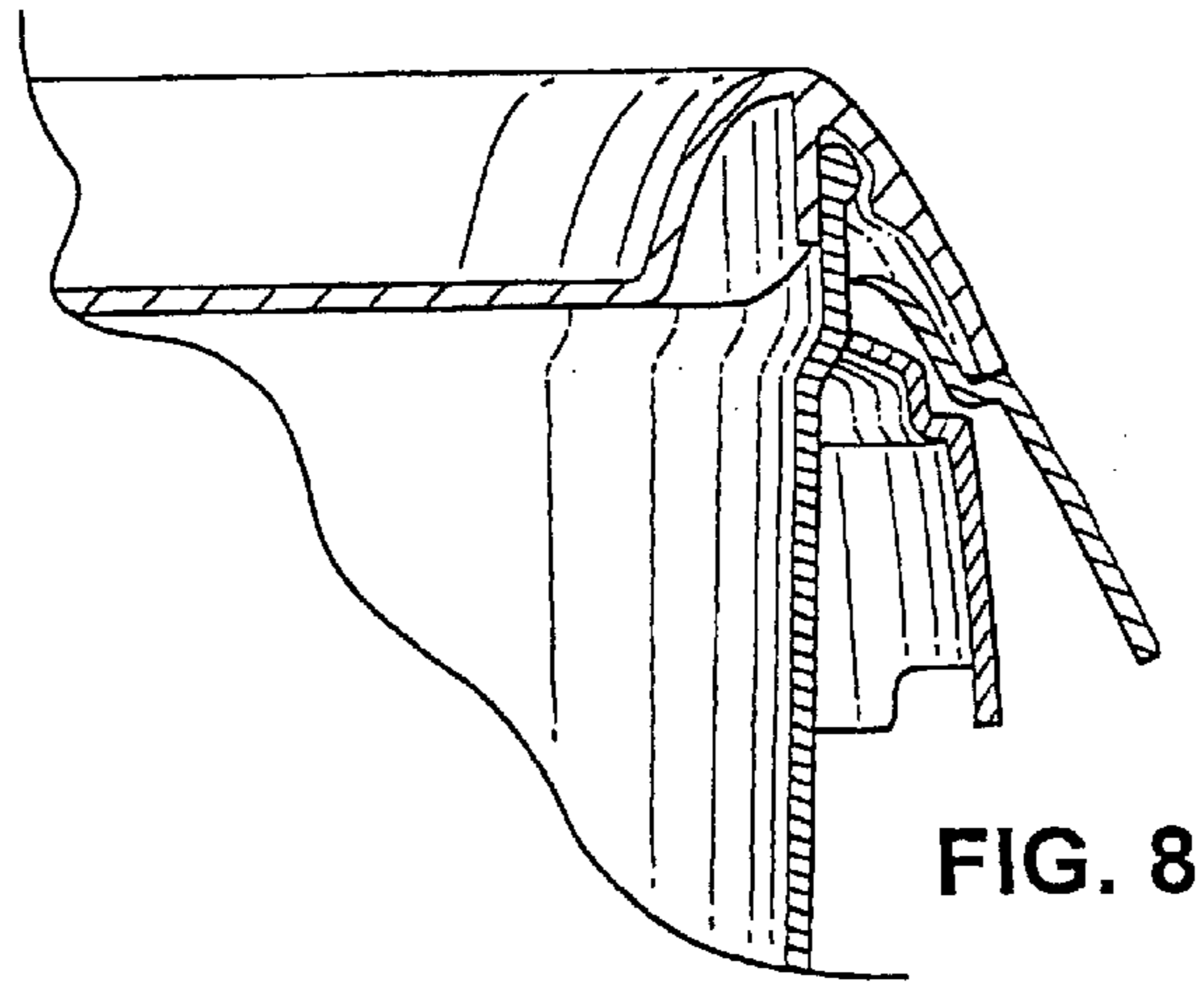
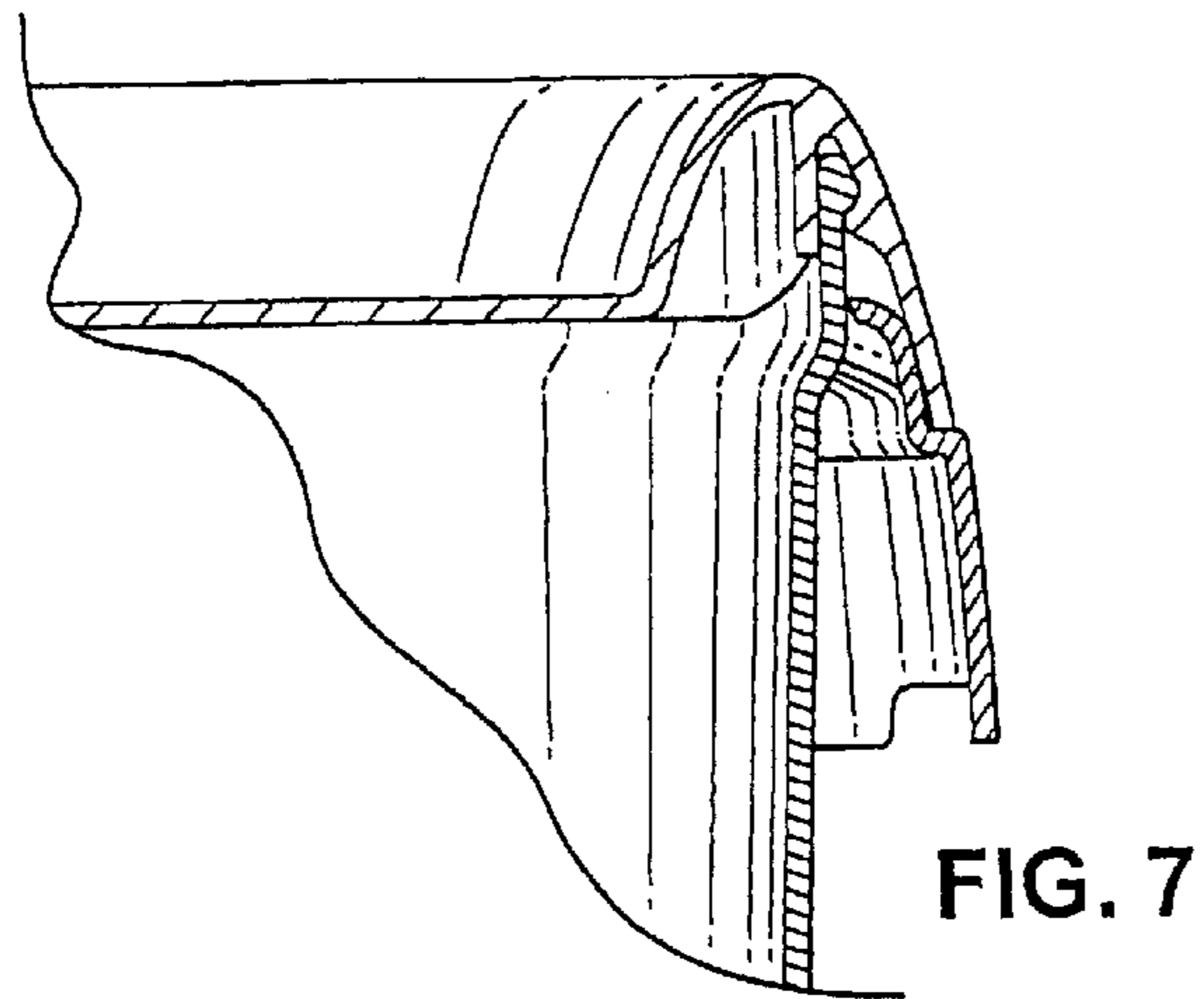


FIG. 6



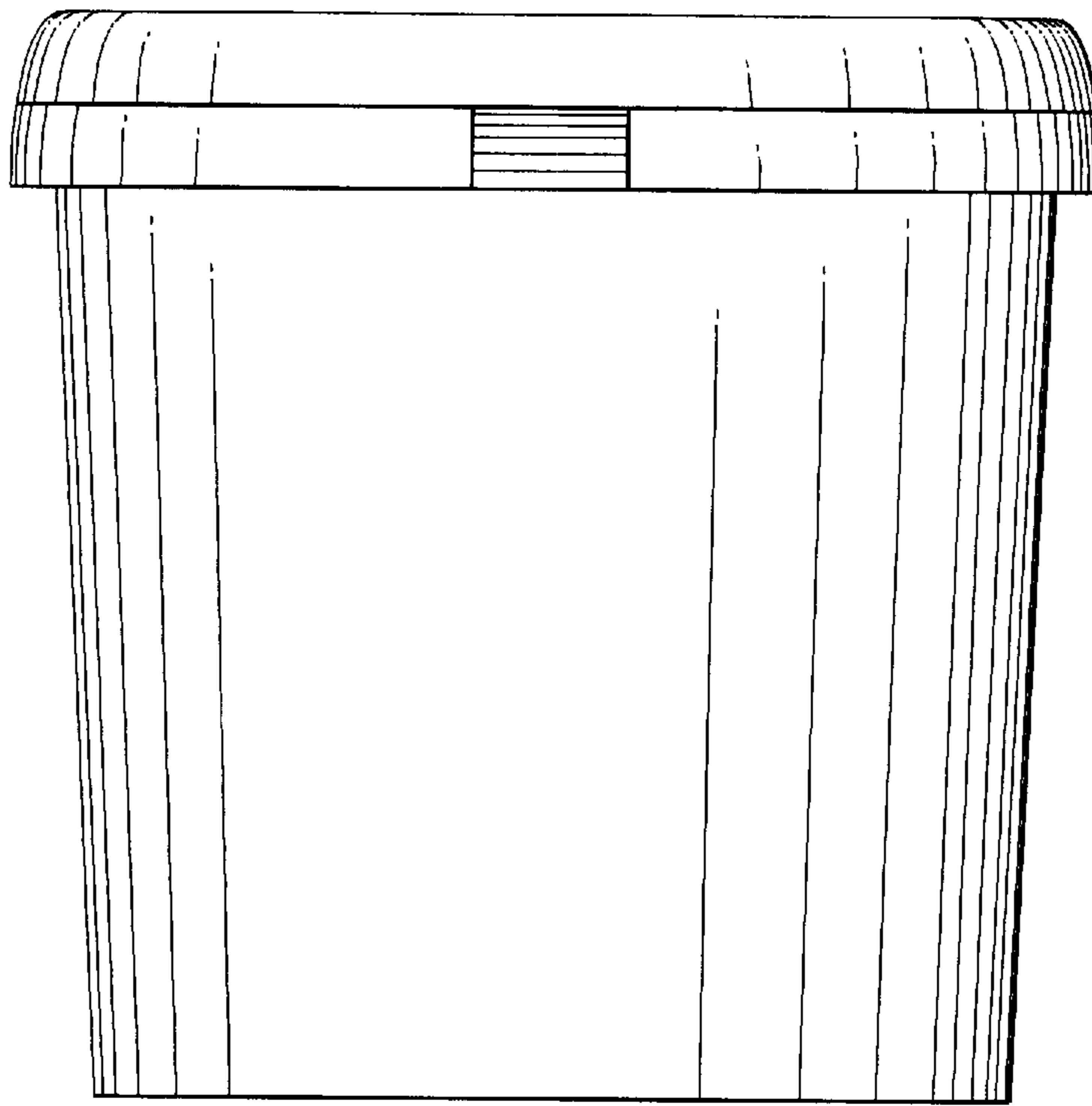


FIG. 10

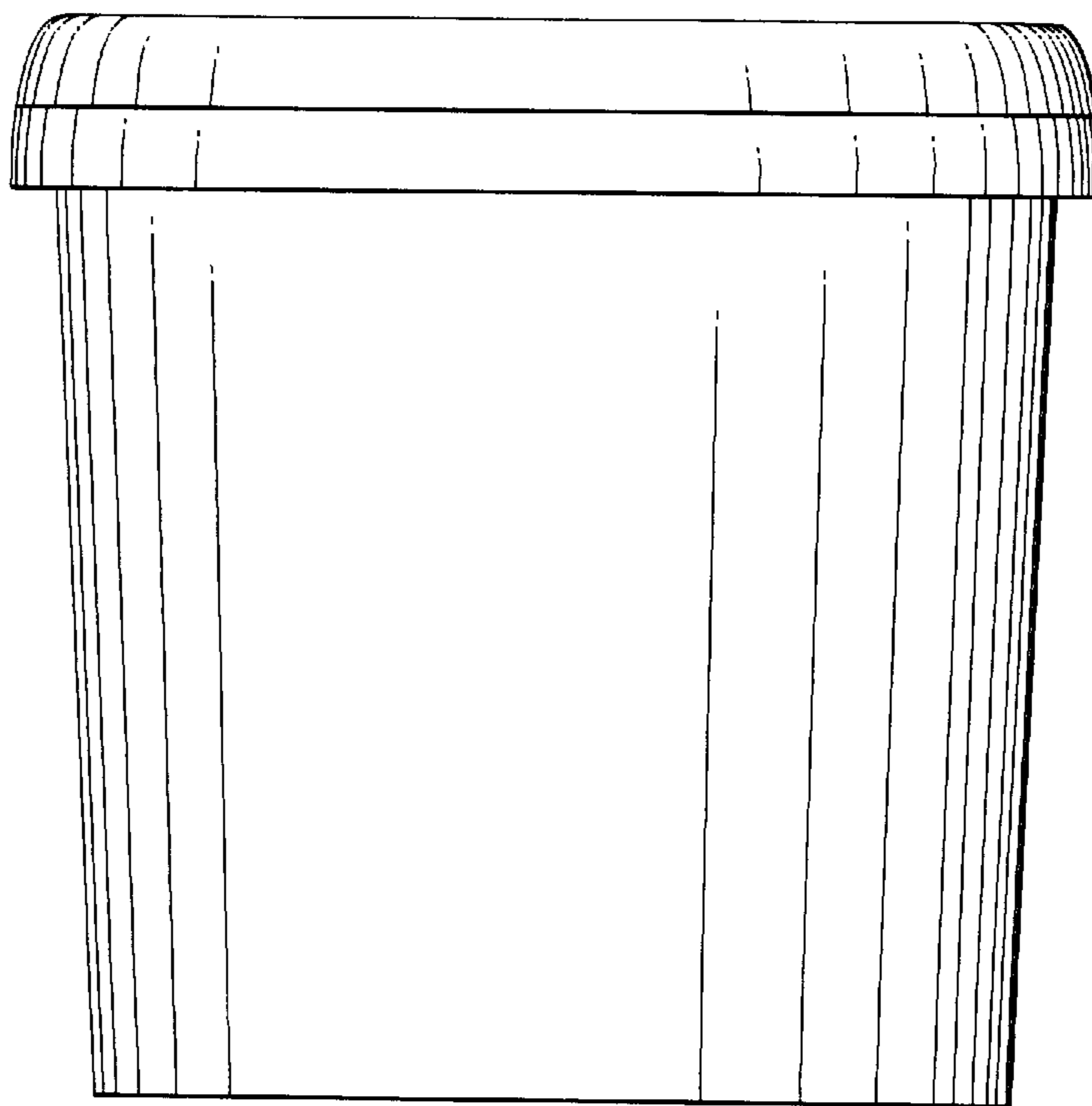


FIG. 11

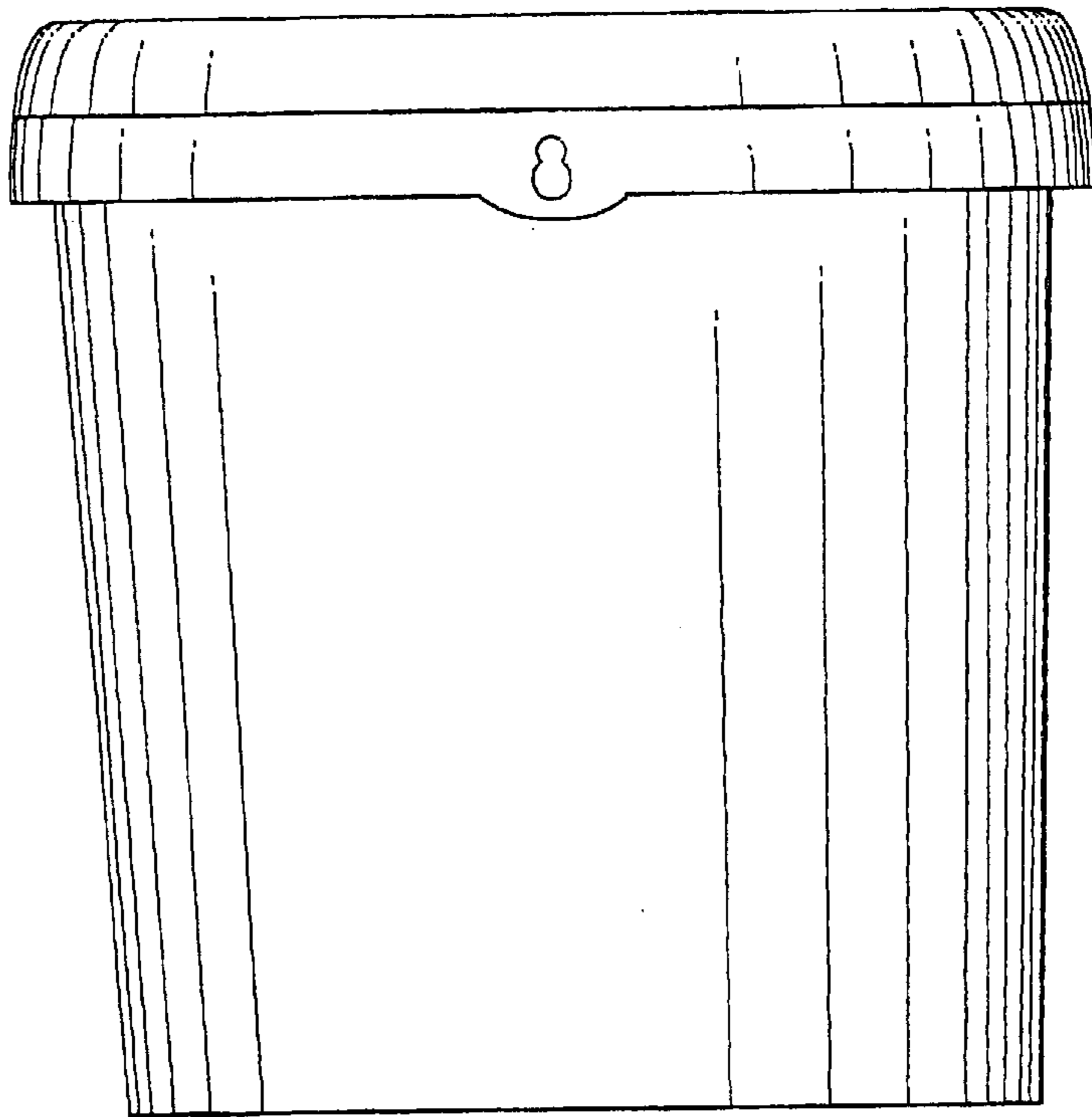


FIG. 12

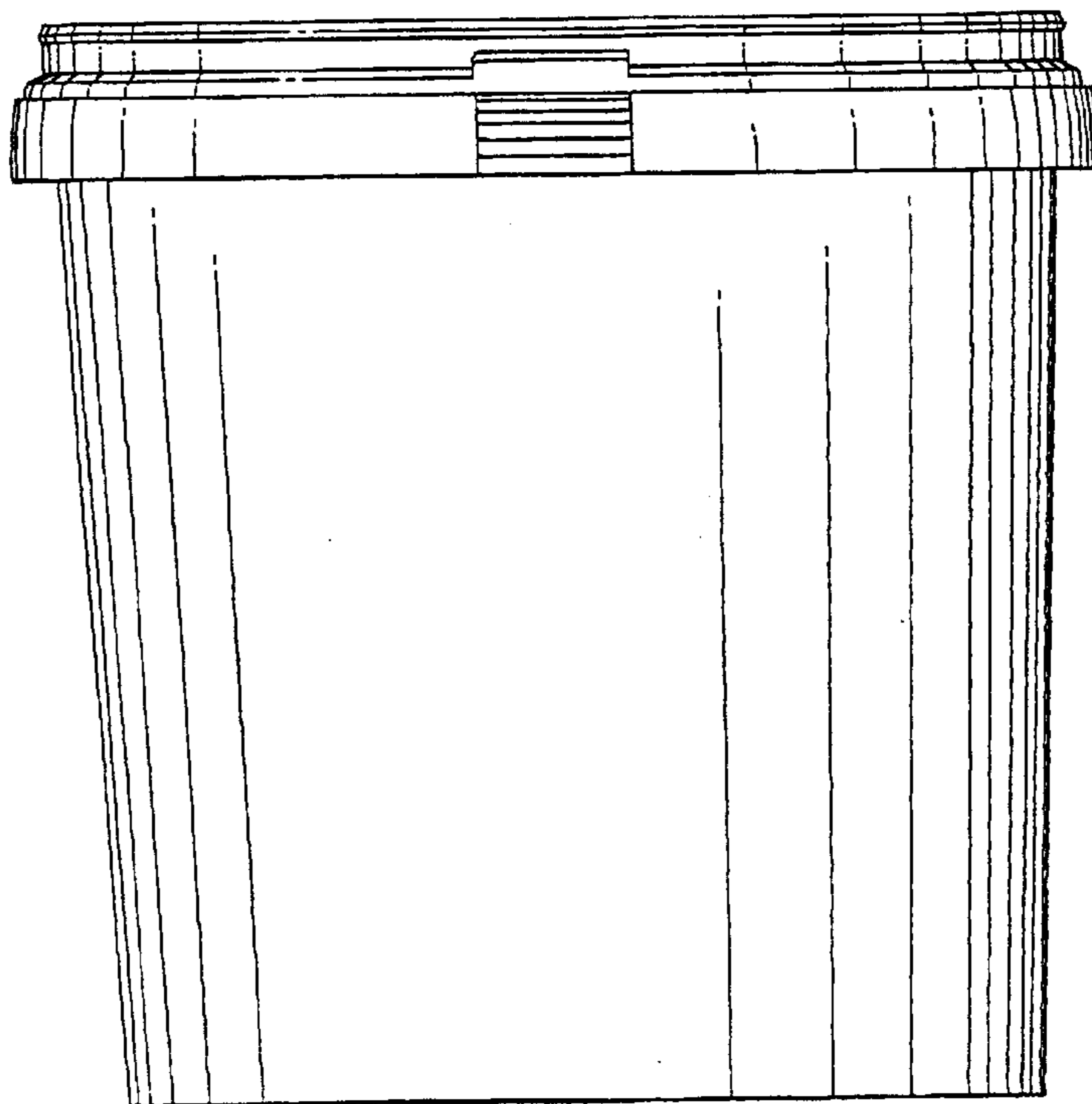


FIG. 13

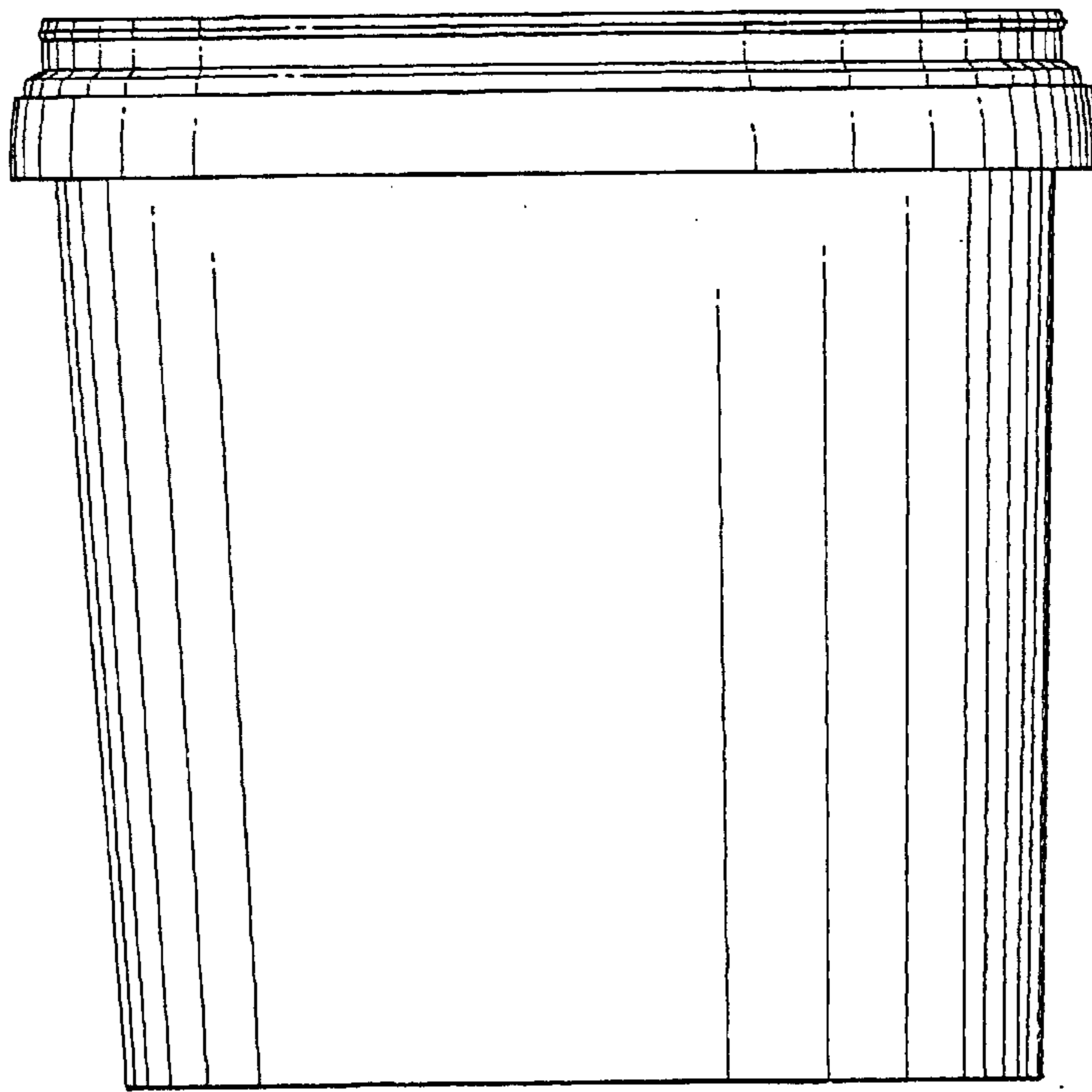


FIG. 14

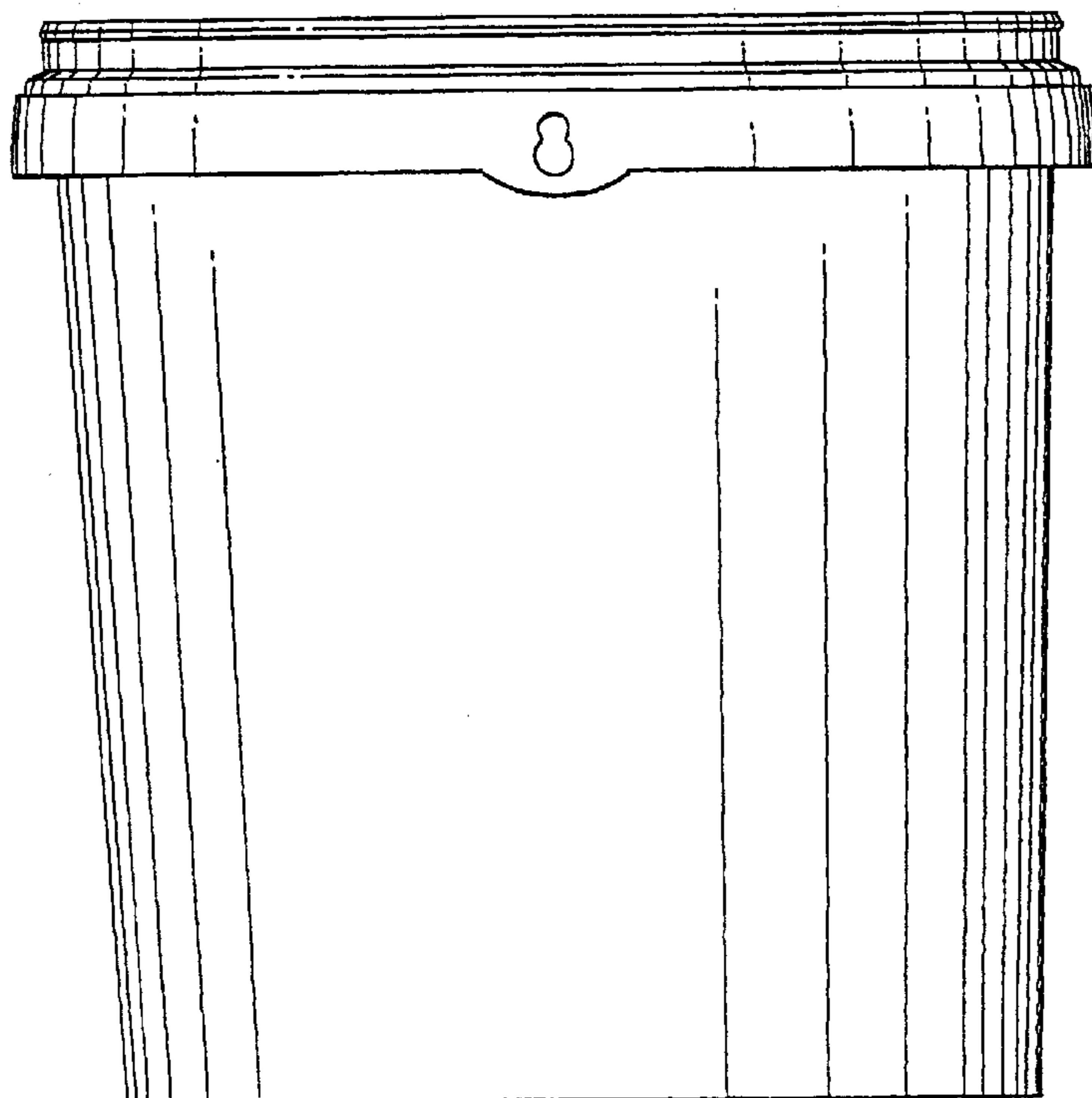


FIG. 15

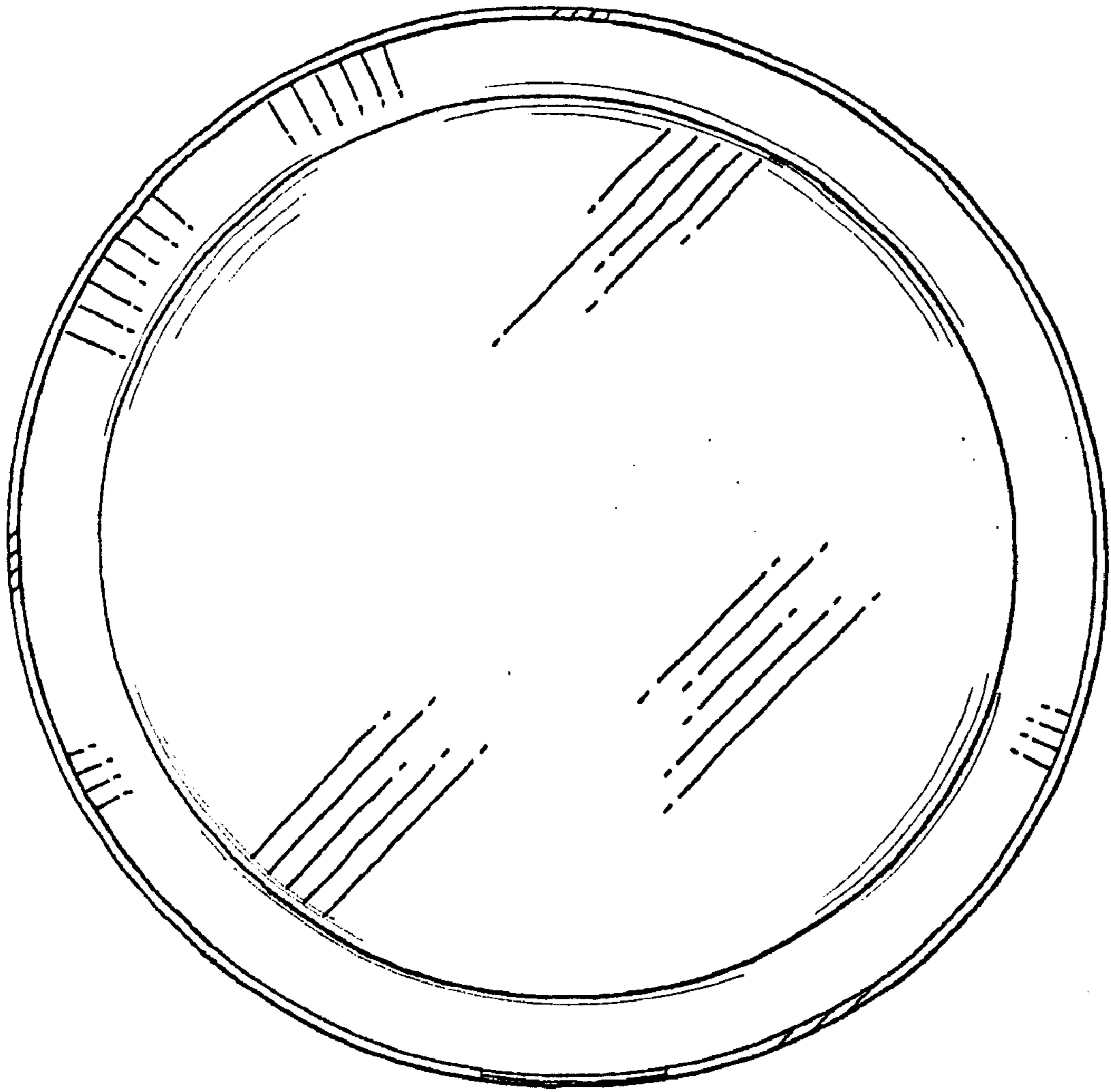


FIG. 16

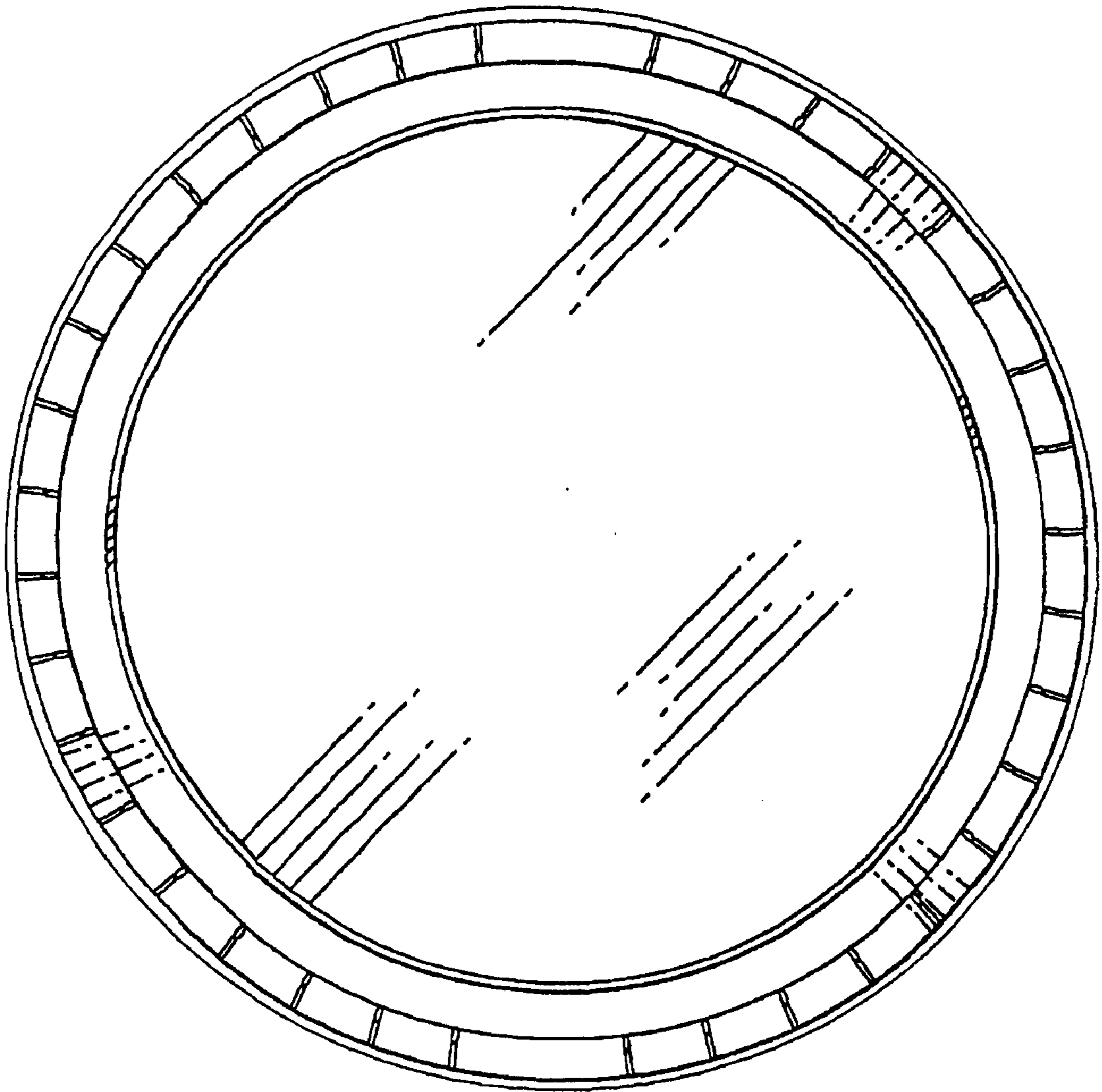


FIG. 17

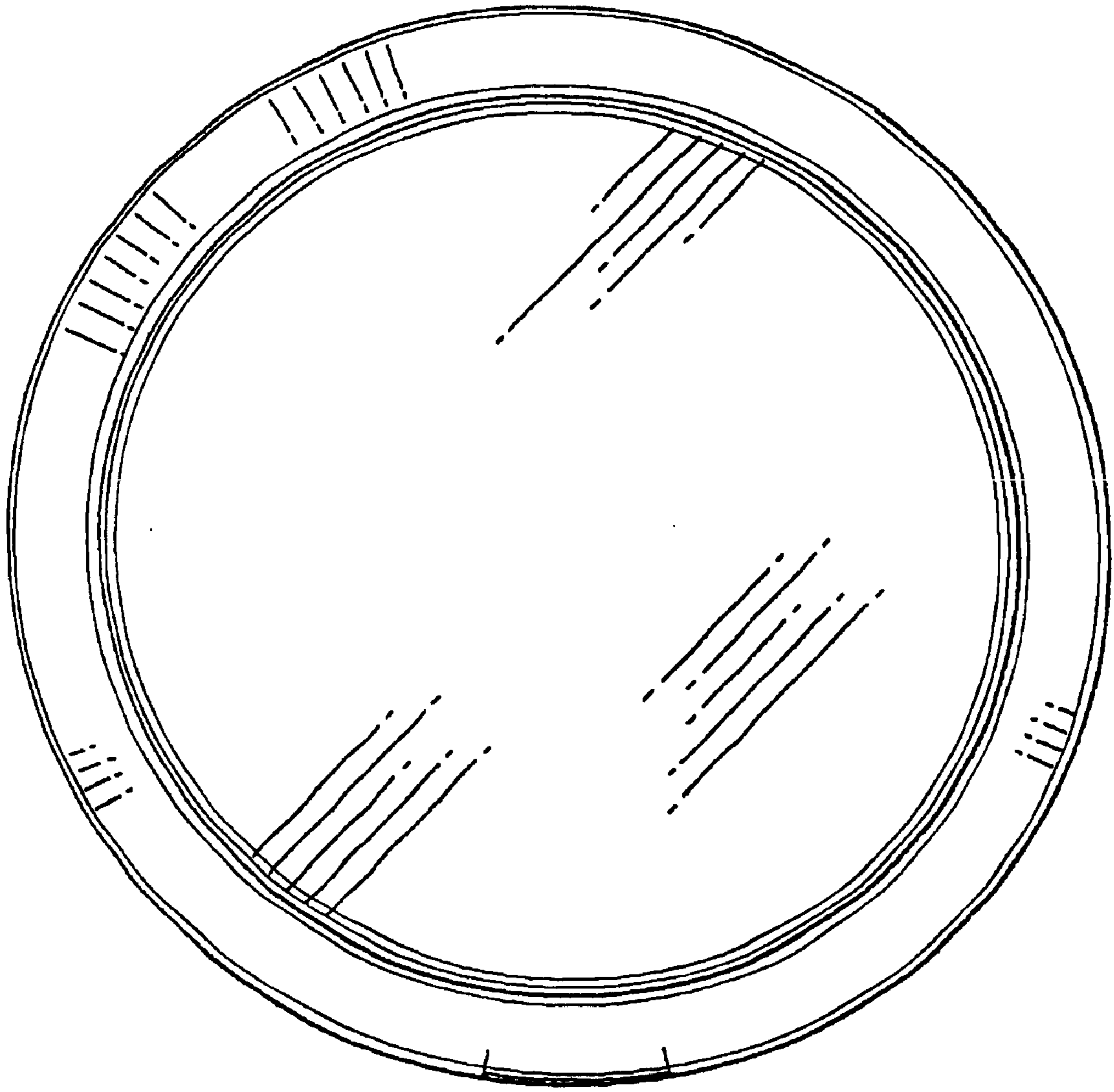


FIG. 18