



US00D463278S

(12) **United States Design Patent** (10) **Patent No.:** **US D463,278 S**  
**Weinstein et al.** (45) **Date of Patent:** **\*\* Sep. 24, 2002**

(54) **TUBULAR PACKAGING FOR DOOR KNOB ASSEMBLY**

(75) Inventors: **Michael Weinstein**, Costa Mesa, CA (US); **Eric E. Thompson**, Costa Mesa, CA (US)

(73) Assignee: **Emhart LLC**, Newark, DE (US)

(\*\*) Term: **14 Years**

(21) Appl. No.: **29/126,377**

(22) Filed: **Jul. 14, 2000**

(51) **LOC (7) Cl.** ..... **09-03**

(52) **U.S. Cl.** ..... **D9/430**

(58) **Field of Search** ..... D9/430, 337-338, D9/341, 344, 500-501, 503, 432, 434-435, 414, 415; 206/216, 320-321, 325, 349, 446, 486-487, 493, 499, 503, 505, 508, 514, 527, 821, 822, 779; 220/23.91, 200, 212, 345.1, 351, 377, 600, 602, 610, 625, 655, 656, 660, 662, 665, 667, 729, 890, 916; 229/100, 103, 108-115, 122.2, 124-125, 162, 183-184, 190, 800

(56) **References Cited**

**U.S. PATENT DOCUMENTS**

D75,980 S	*	8/1928	Pfeiffer	
D106,790 S	*	11/1937	Guerlain	
2,316,384 A	*	4/1943	Abramson	229/3.5
2,979,192 A	*	4/1961	Blonder	206/46
3,768,637 A	*	10/1973	Whang	206/765
4,307,803 A		12/1981	Johnson	
4,317,515 A	*	3/1982	Feeley et al.	206/315 R
D266,487 S	*	10/1982	Mansau	D9/430
4,359,182 A		11/1982	Perkins, Jr.	
D299,114 S		12/1988	Klinge	
4,993,623 A		2/1991	Kelly et al.	
D315,095 S		3/1991	Wright	
D315,302 S		3/1991	Kistler	
D320,469 S		10/1991	Hoenig	
5,064,056 A		11/1991	Gresh	

D324,823 S	*	3/1992	Scarpa et al.	D9/430
D328,248 S		7/1992	Ruff	
D328,706 S	*	8/1992	Ruff	D9/430
D361,262 S	*	8/1995	Lusker	D9/430
D367,226 S		2/1996	Ransbottom	
5,718,335 A		2/1998	Boudreaux	
D394,384 S		5/1998	Humphrey	
5,816,411 A		10/1998	Smith	
D405,370 S		2/1999	Humphrey	
D406,056 S		2/1999	Flores et al.	
D406,528 S		3/1999	Flores et al.	
5,890,593 A		4/1999	Humphrey	
D414,108 S		9/1999	Humphrey	
6,047,833 A	*	4/2000	Salomon	206/765
D424,427 S		5/2000	Saputo et al.	

\* cited by examiner

*Primary Examiner*—James Gandy

*Assistant Examiner*—Daniel Bui

(74) *Attorney, Agent, or Firm*—Harness, Dickey & Pierce, P.L.C.

(57) **CLAIM**

The ornamental design of a tubular packaging for door knob assembly, as shown and described.

**DESCRIPTION**

FIG. 1 is a perspective view of a tubular packaging for a door knob assembly in accordance with the present invention;

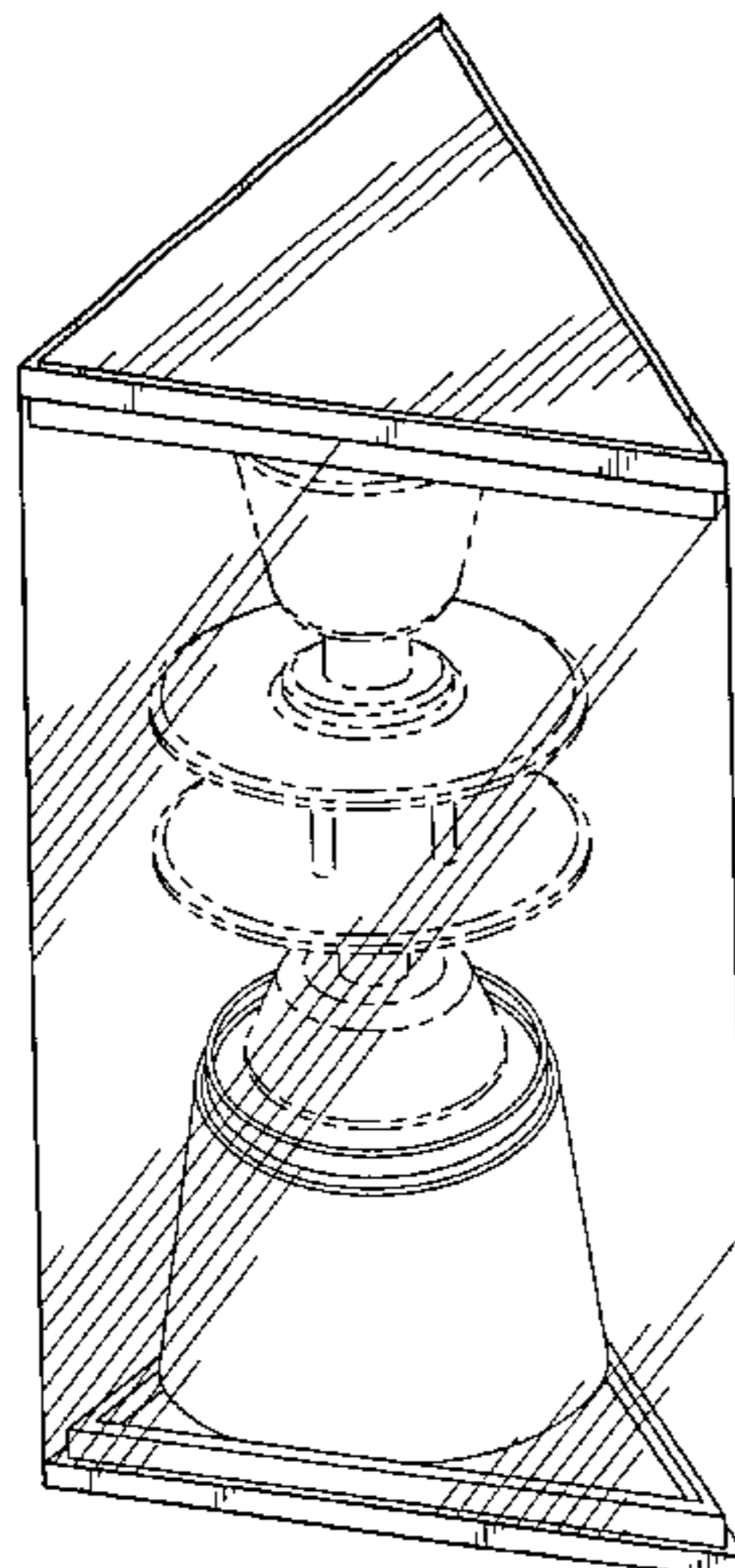
FIG. 2 is a top plan view of the present invention shown in FIG. 1, it being understood that the bottom plan view is identical thereto;

FIG. 3 is a front elevational view of the present invention shown in FIG. 1, it being understood that all three sides are identical thereto; and,

FIG. 4 is an exploded perspective view in reduced size illustrating the components of the tubular packaging for door knob assembly of the present invention shown in FIG. 1.

The broken line showing of the environment is for illustrative purposes only and forms no part of the claimed design.

**1 Claim, 3 Drawing Sheets**



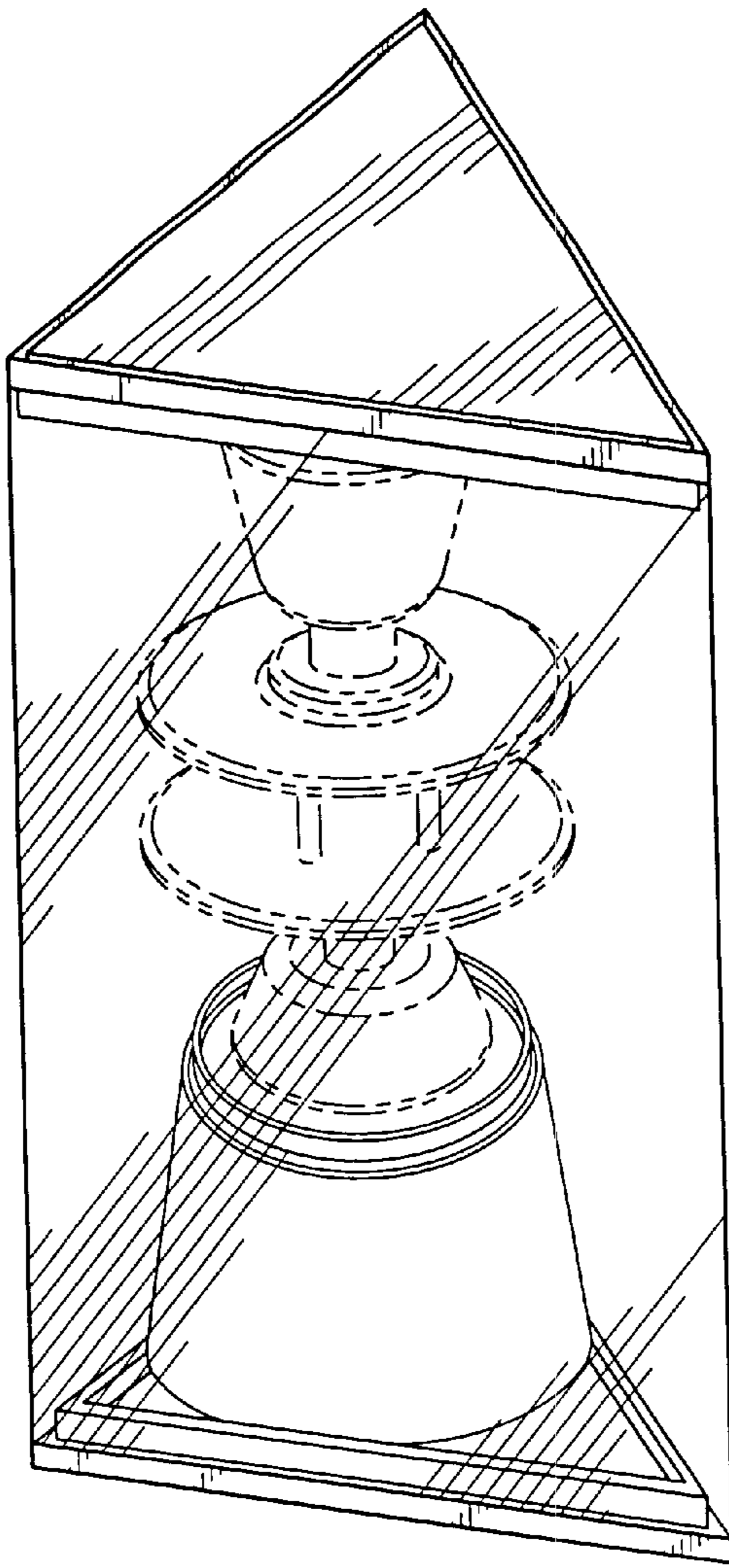


FIG. 1

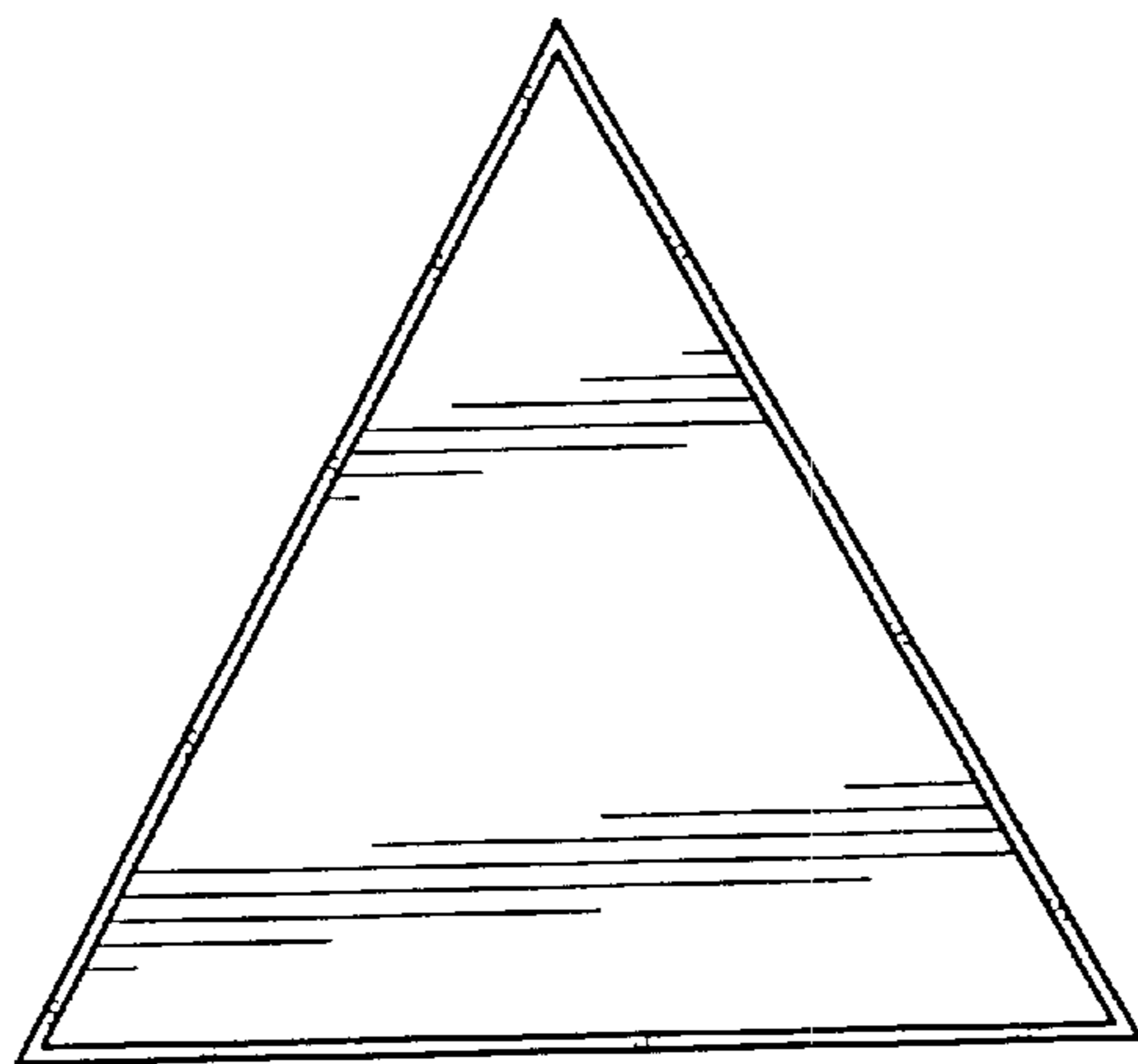


FIG. 2

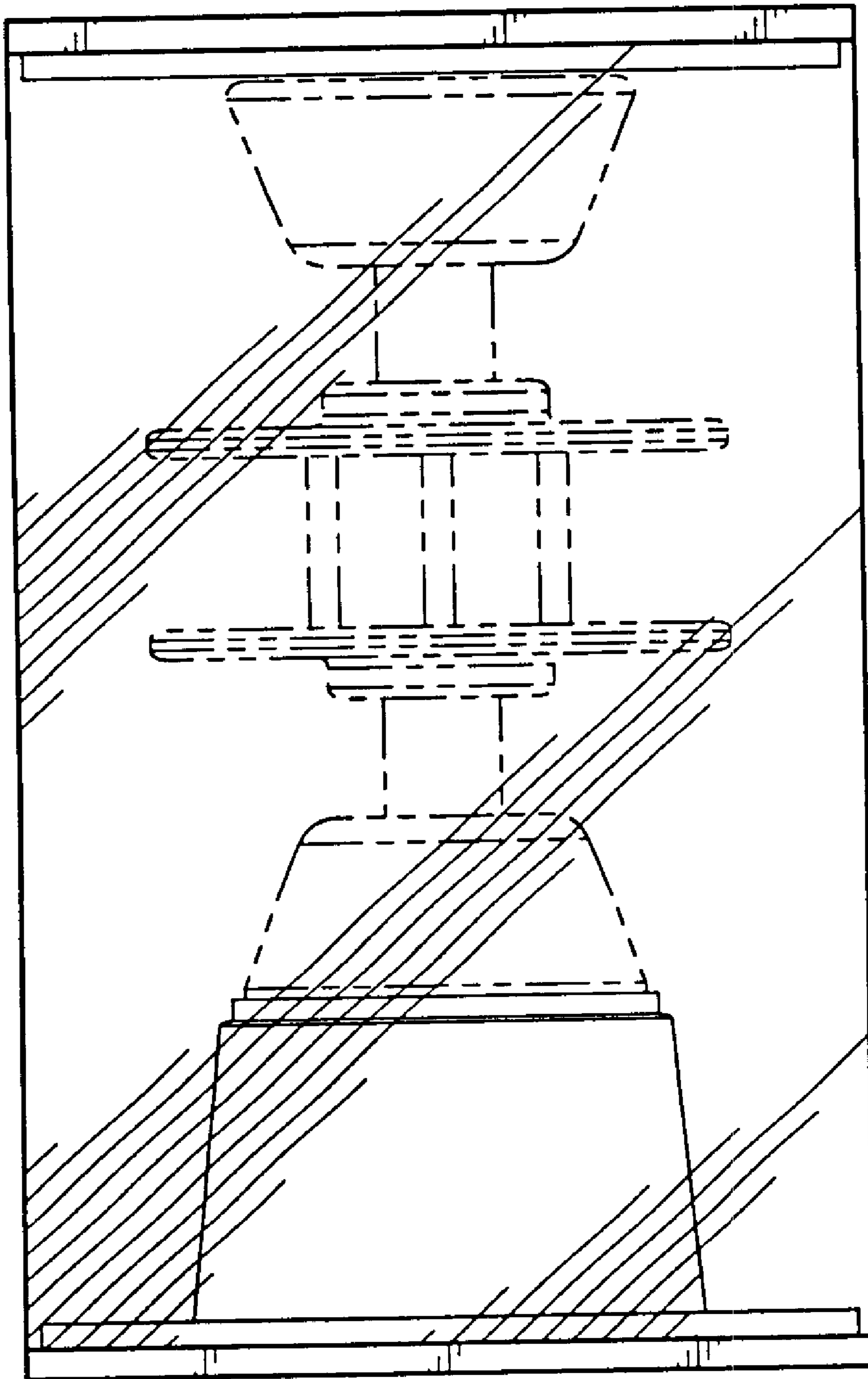


FIG. 3

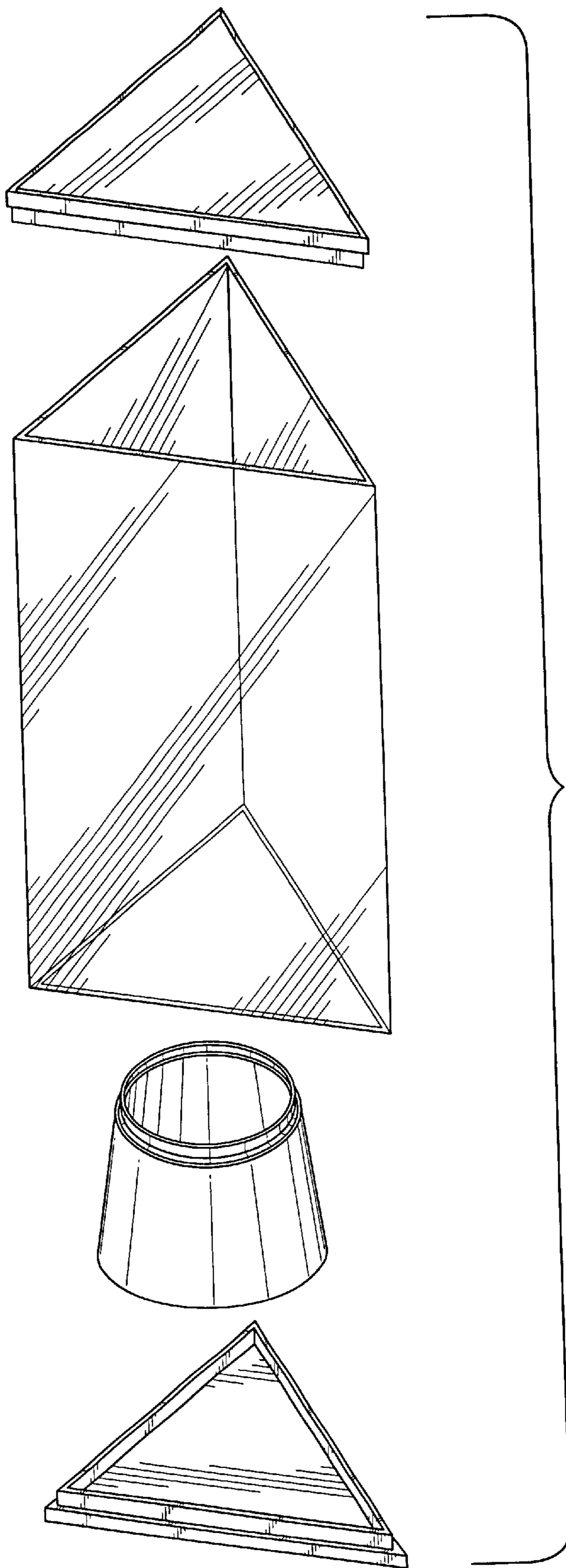


FIG. 4