



US00D463277S

(12) **United States Design Patent**
Yang

(10) **Patent No.:** **US D463,277 S**

(45) **Date of Patent:** **** Sep. 24, 2002**

(54) **DVD CASE**

(75) Inventor: **Ching-Lung Yang**, Taipei (TW)

(73) Assignee: **Yuan-Tang Yang**, Taipei (TW)

(**) Term: **14 Years**

(21) Appl. No.: **29/144,647**

(22) Filed: **Jul. 3, 2001**

(51) **LOC (7) Cl.** **09-03**

(52) **U.S. Cl.** **D9/428; D9/425**

(58) **Field of Search** D9/428, 429, 424,
D9/425, 337; D6/407, 632; 206/307, 308,
15, 303, 216, 8, 457; 369/75.1, 292, 272;
395/651

(56) **References Cited**

U.S. PATENT DOCUMENTS

4,278,169 A * 7/1981 Skaggs 206/303
D273,565 S * 4/1984 Driskell et al. D9/415
4,976,438 A * 12/1990 Tashiro et al. 463/46
5,607,052 A * 3/1997 Liepoid et al. 206/307

D394,005 S * 5/1998 Marijnissen D9/416
D423,929 S * 5/2000 Simmers et al. D9/418
6,112,894 A * 9/2000 Kilkuchi et al. 206/303

* cited by examiner

Primary Examiner—Prabhakar Deshmukh

(74) *Attorney, Agent, or Firm*—Rosenberg, Klein & Lee

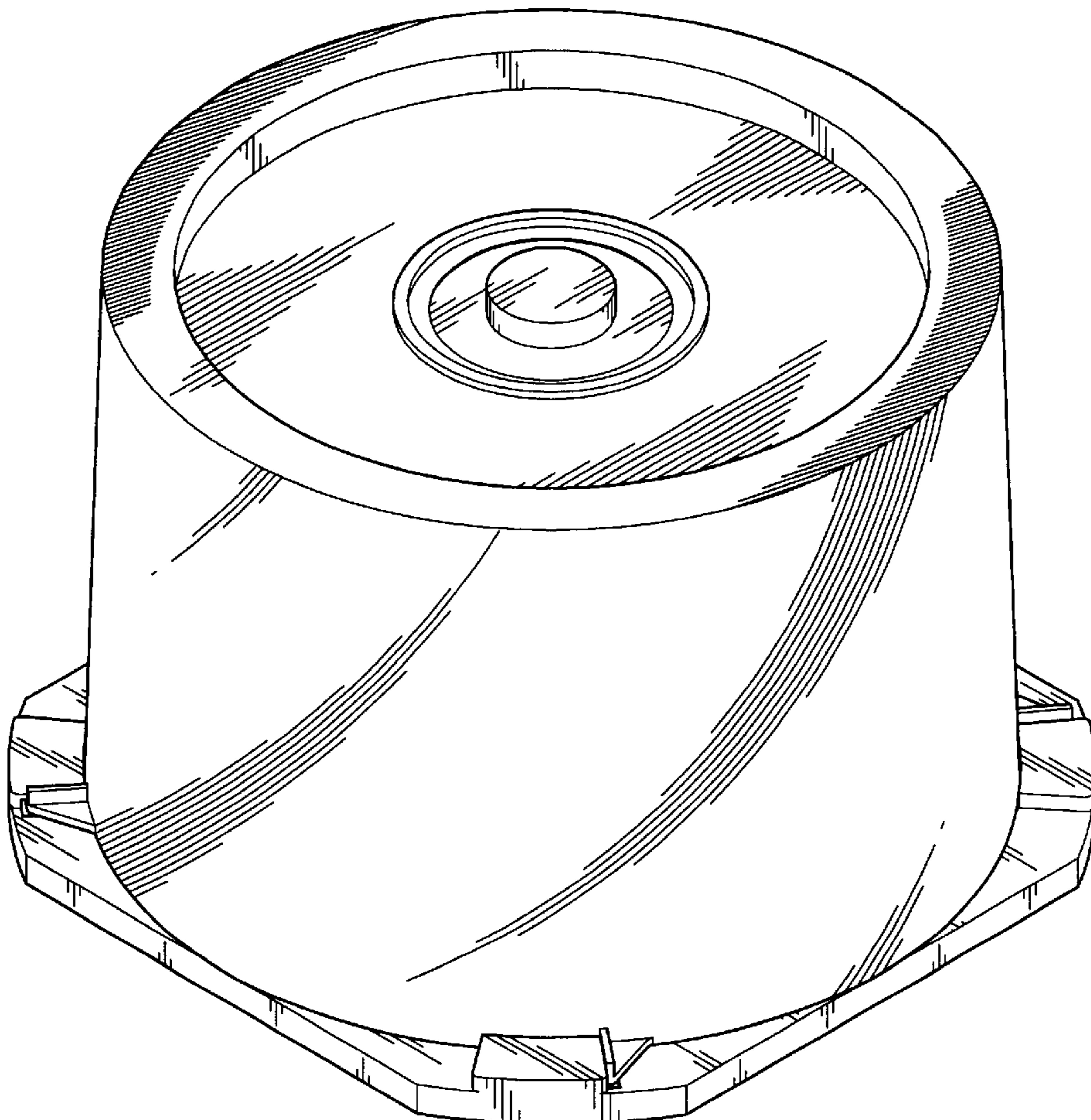
(57) **CLAIM**

The ornamental design for a “DVD case”, as shown and described.

DESCRIPTION

FIG. 1 is the perspective view of a “DVD case” showing my new design;
FIG. 2 is the front view thereof;
FIG. 3 is the rear view thereof;
FIG. 4 is the left side view thereof;
FIG. 5 is the right side view thereof;
FIG. 6 is the top view thereof; and
FIG. 7 is the bottom view thereof; and,
FIG. 8 is a sectional view thereof, taken a long line 8—8 of FIG. 6.

1 Claim, 6 Drawing Sheets



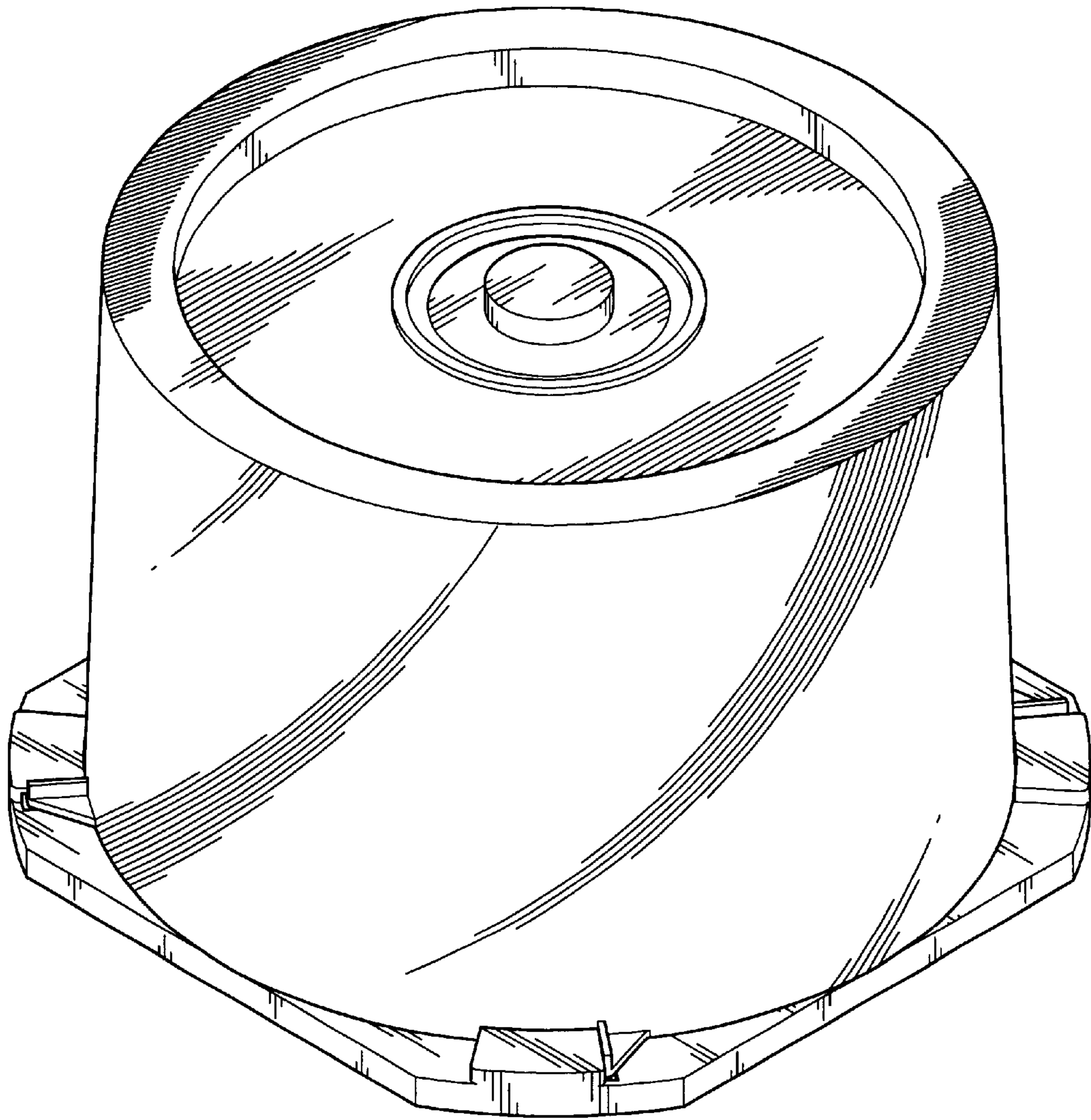


FIG. 1

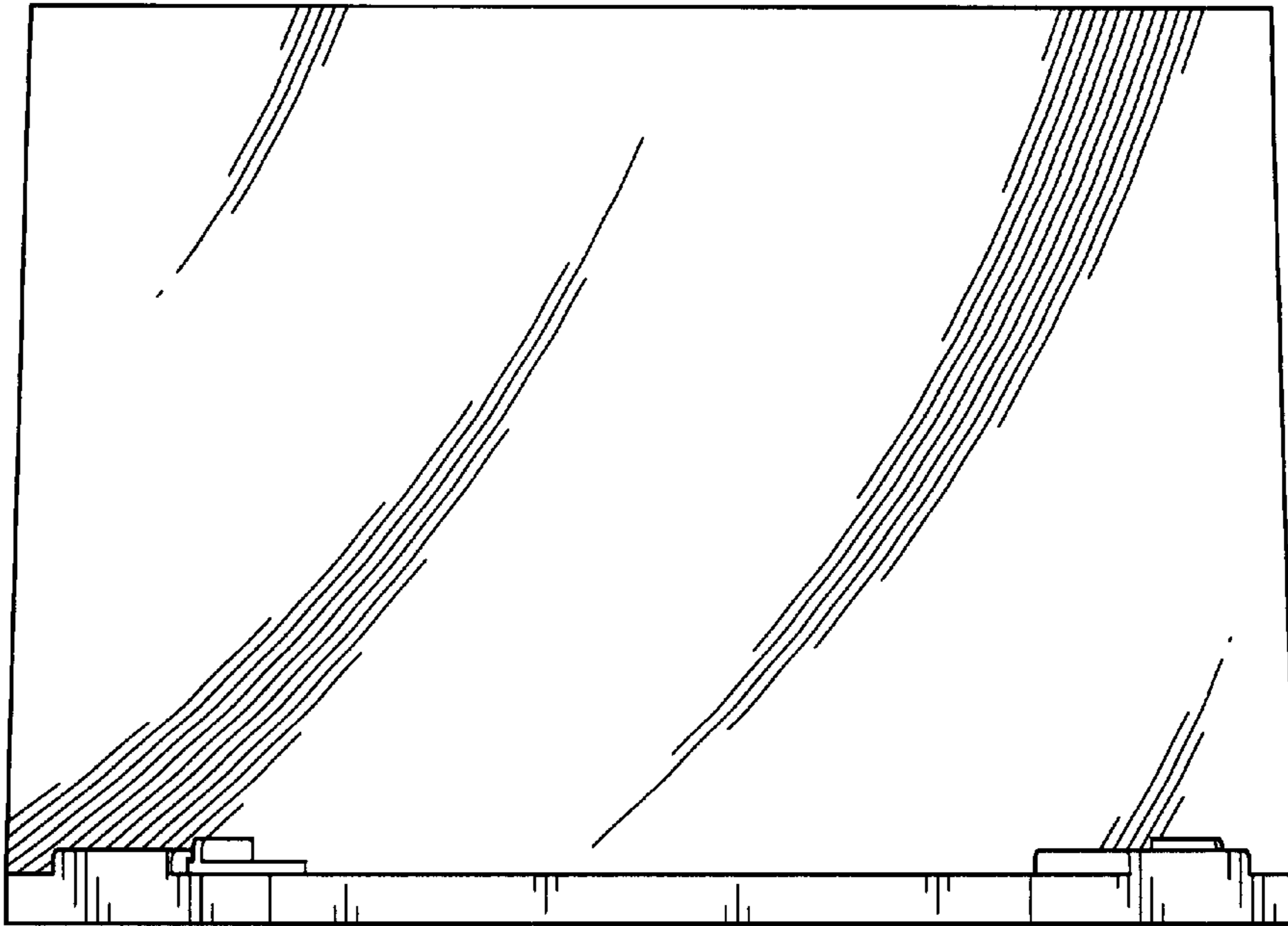


FIG. 2

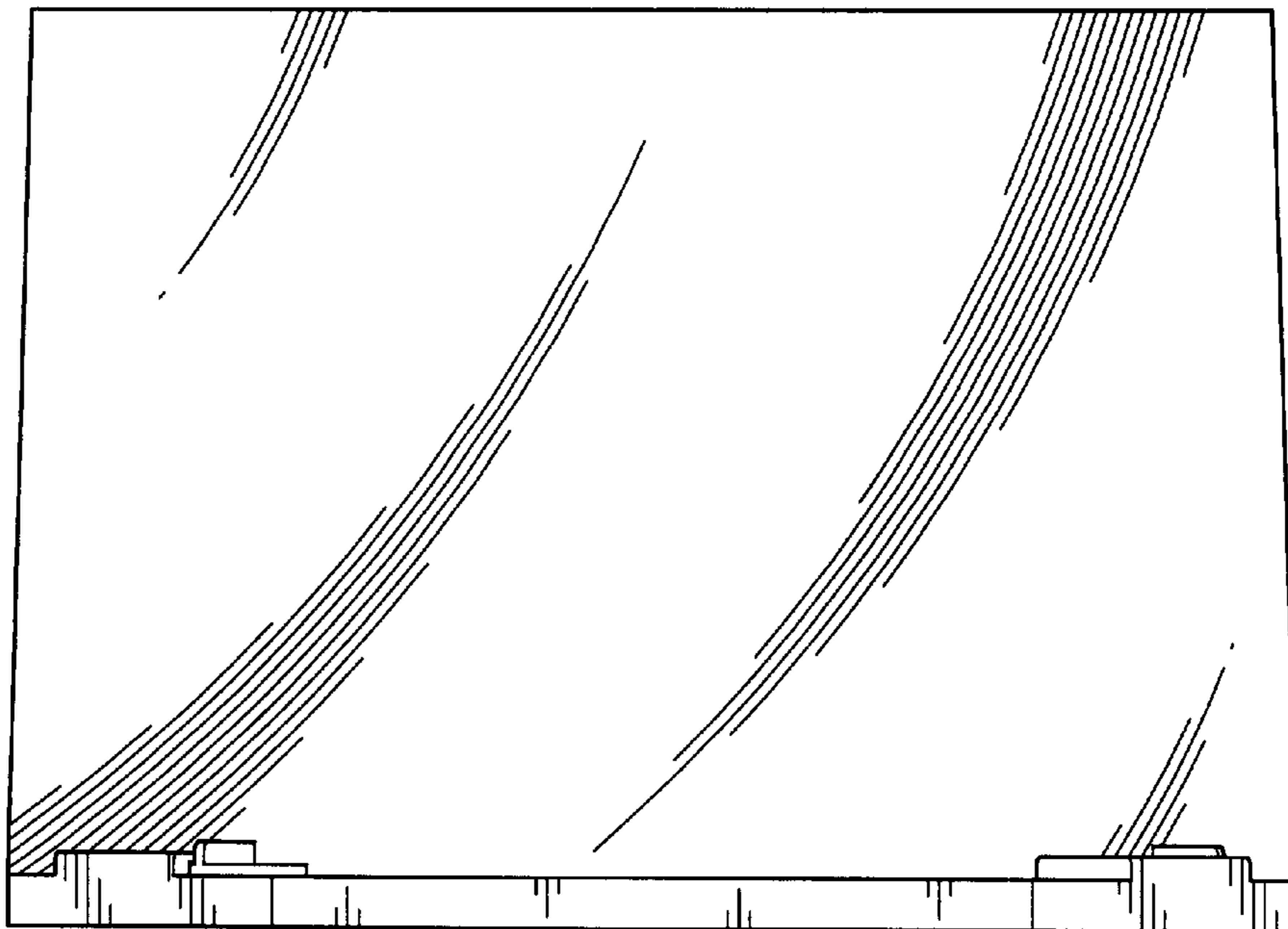


FIG. 3

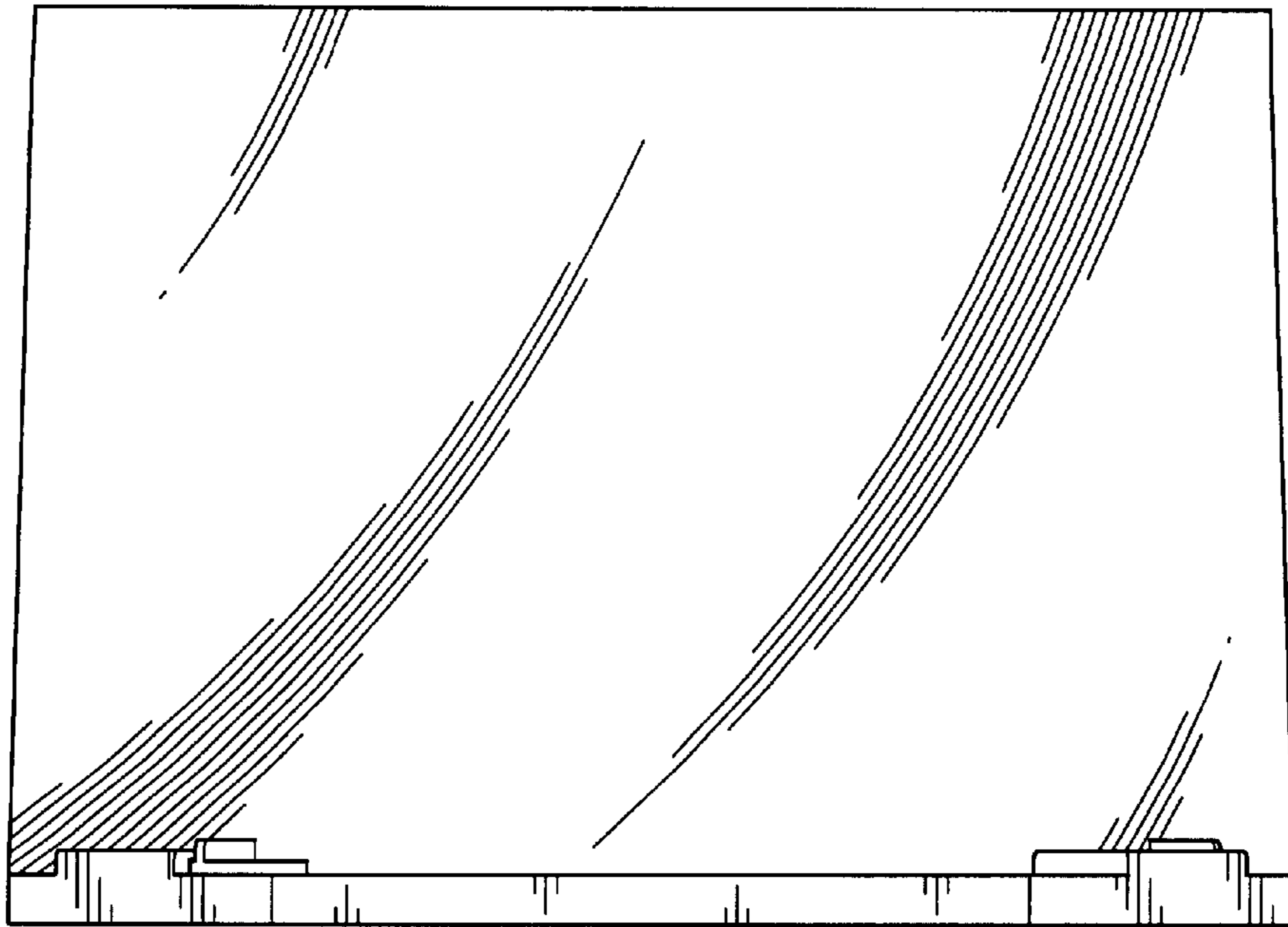


FIG. 4

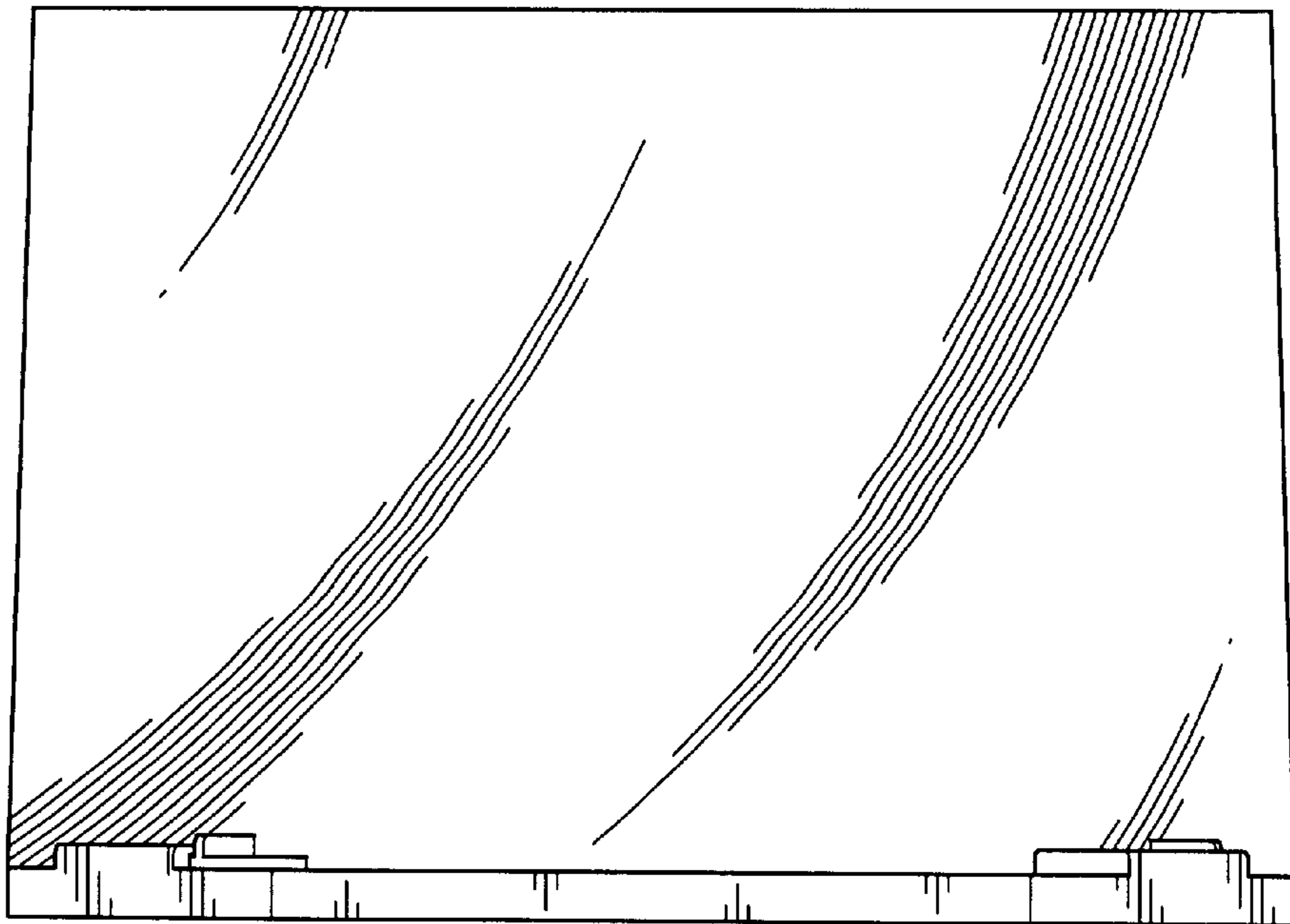


FIG. 5

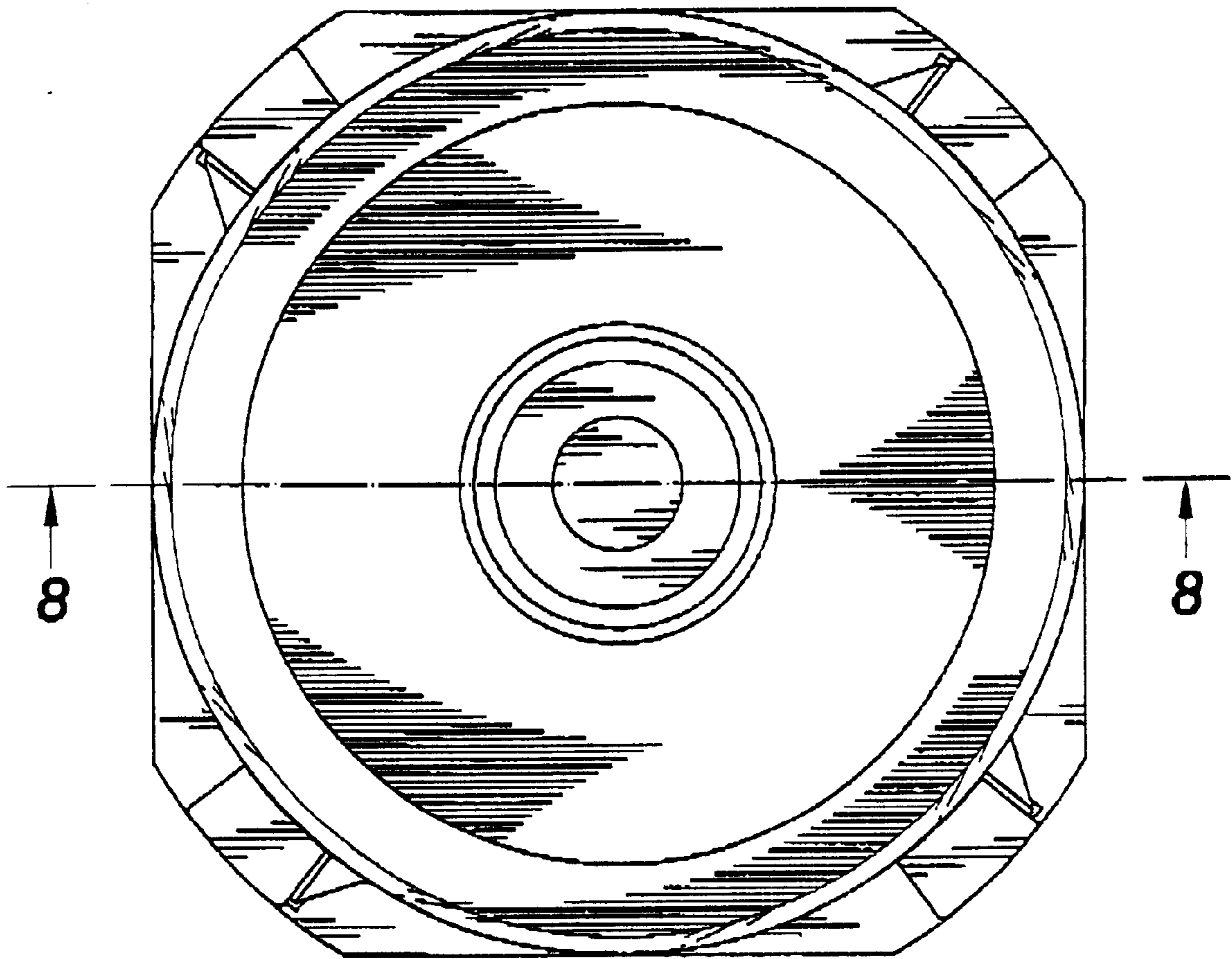


FIG. 6

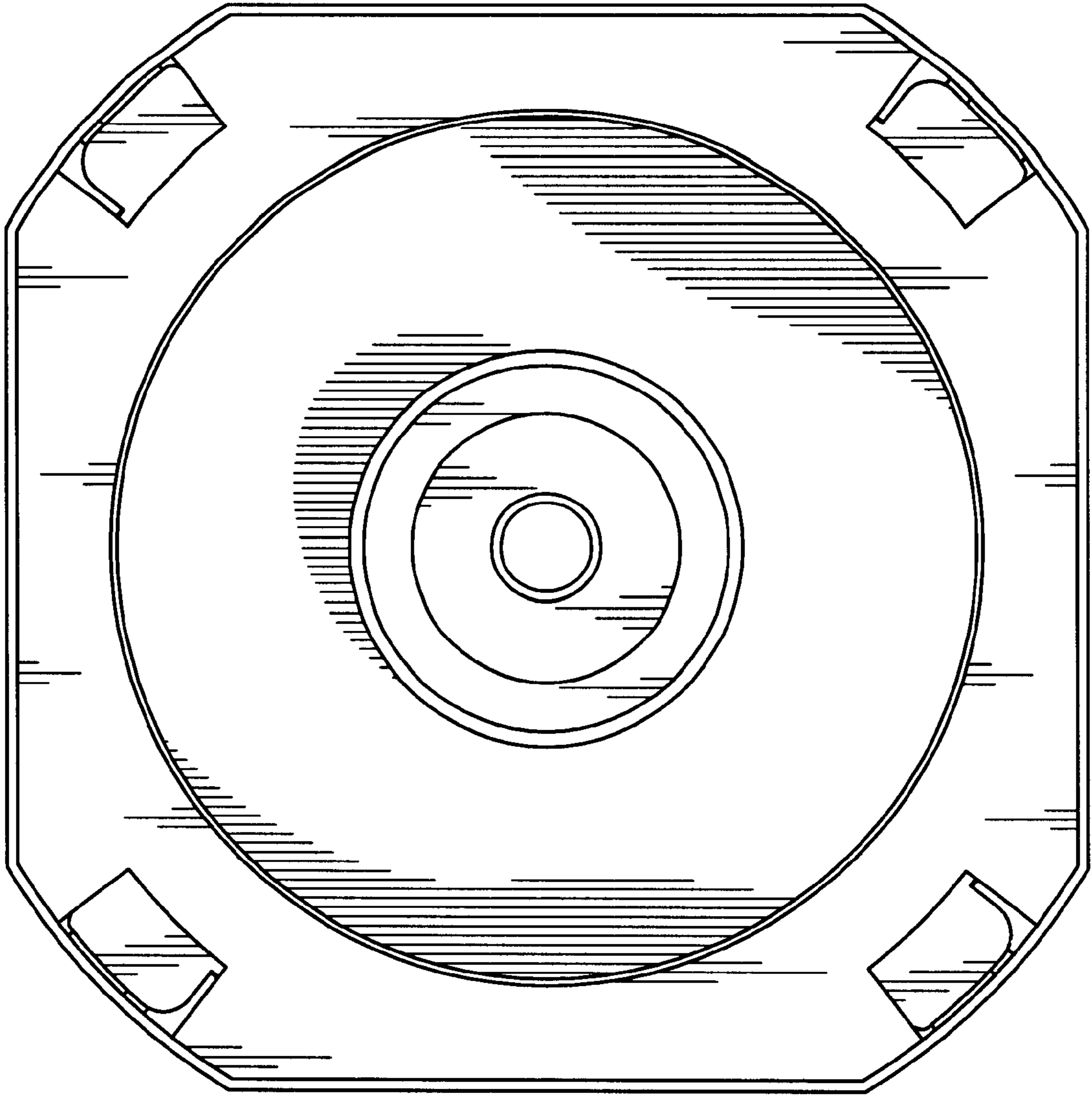


FIG. 7

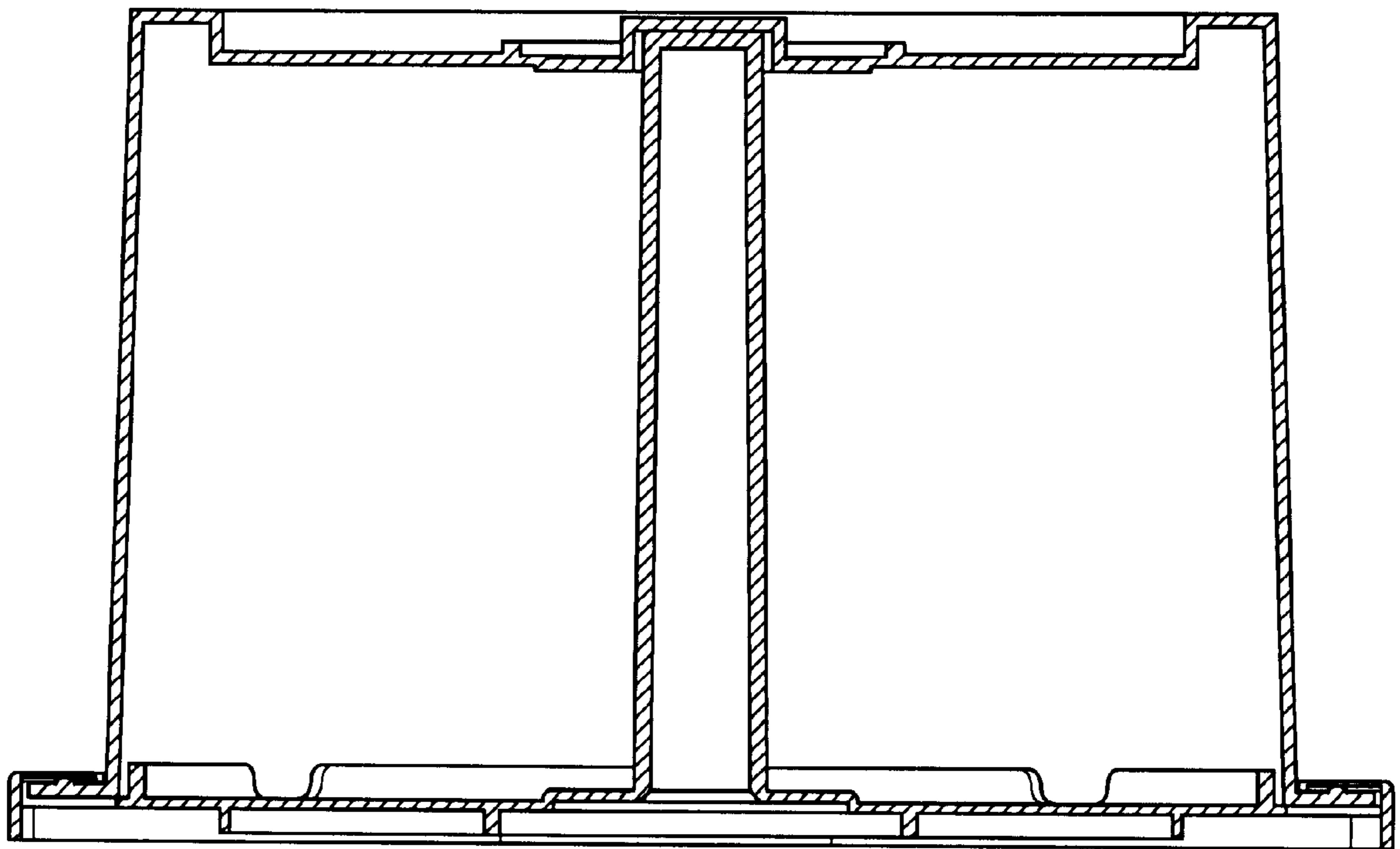


FIG. 8