



US00D463272S

(12) **United States Design Patent**
Kellar

(10) **Patent No.:** **US D463,272 S**

(45) **Date of Patent:** **** Sep. 24, 2002**

- (54) **TIERED CARTONS**
- (75) Inventor: **David S Kellar**, Corvallis, OR (US)
- (73) Assignee: **Hewlett-Packard Company**, Palo Alto, CA (US)
- (**) Term: **14 Years**
- (21) Appl. No.: **29/118,986**
- (22) Filed: **Feb. 18, 2000**

- D288,533 S 3/1987 Jialanella et al.
- 4,944,402 A 7/1990 Wu
- 5,069,334 A 12/1991 Herrin et al.
- 5,186,345 A 2/1993 Ching An
- D342,025 S 12/1993 Abraben et al.
- 5,379,894 A 1/1995 Hass et al.
- D355,598 S 2/1995 Aronhalt
- D357,626 S 4/1995 Snow et al.
- D368,028 S 3/1996 Baker
- 5,520,322 A * 5/1996 Conviser D9/431
- 5,538,179 A 7/1996 Cai
- 5,660,322 A 8/1997 Jensen
- D384,583 S * 10/1997 Green et al. D9/431
- 5,799,792 A * 9/1998 Abrums 206/501

Related U.S. Application Data

- (62) Division of application No. 29/104,247, filed on Apr. 30, 1999, now Pat. No. Des. 425,787.
- (51) **LOC (7) Cl.** **09-03**
- (52) **U.S. Cl.** **D9/346; D9/431**
- (58) **Field of Search** D9/341, 345-347, D9/430-433, 305, 414, 499; 206/501, 503, 526, 813; 220/23.86, 23.83; 229/112, 143, 120.01, 162

OTHER PUBLICATIONS

Modern Packaging Catalog, p. 318 Date: 1967.

* cited by examiner

Primary Examiner—Ted Shooman
Assistant Examiner—Carol Rademaker

(56) **References Cited**

U.S. PATENT DOCUMENTS

- 2,749,016 A 6/1956 Cote
- 2,993,631 A * 7/1961 Pasin 229/112
- 3,259,153 A * 7/1966 Haase 229/112
- D224,290 S 7/1972 Robertson
- D227,229 S 6/1973 Funabashi
- 3,880,342 A * 4/1975 Longo, Jr. 229/112
- 3,885,667 A 5/1975 Spiegel et al.
- 3,900,104 A * 8/1975 Harned 229/112
- 3,904,029 A 9/1975 Koltz
- 4,203,525 A 5/1980 Okubo
- 4,326,546 A 4/1985 Acker
- 4,630,734 A 12/1986 Severin et al.

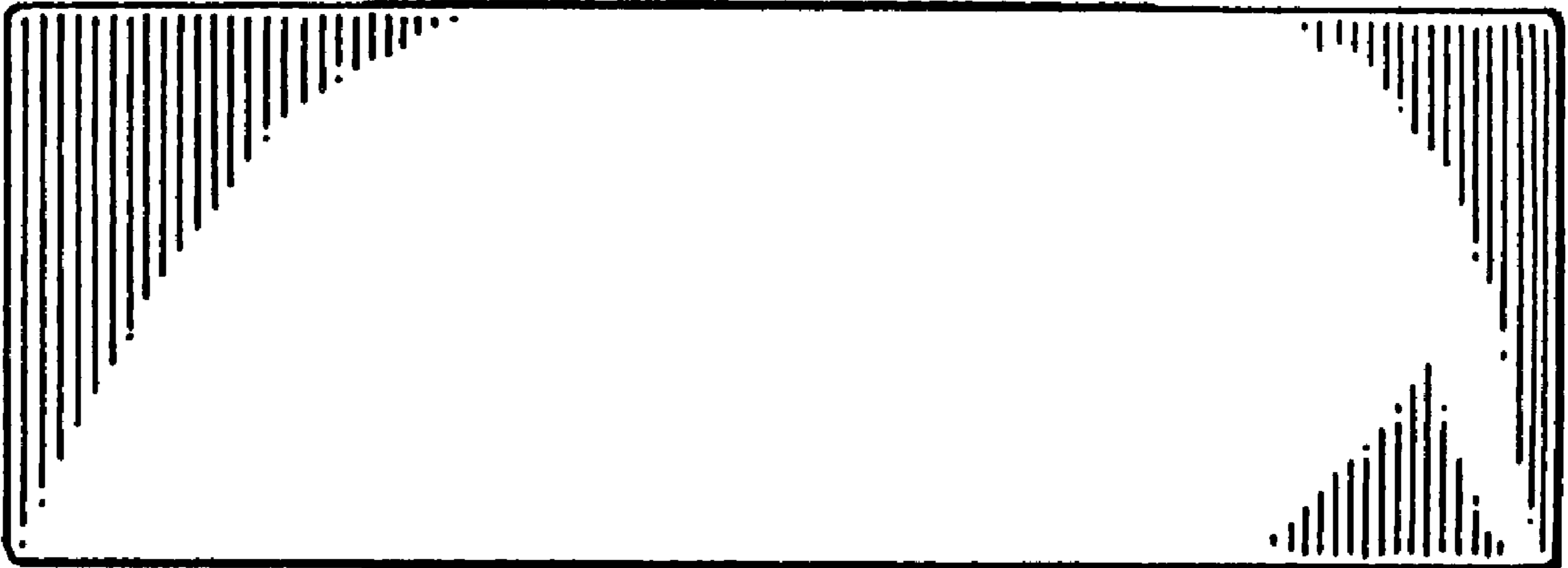
(57) **CLAIM**

I claim the ornamental design for tiered cartons, as shown and described.

DESCRIPTION

FIG. 1 is a top, front, and right side perspective view of tiered cartons showing my new design;
FIG. 2 is a front elevation view of my new design, the rear being identical;
FIG. 3 is a side elevation view of my new design, the opposite side being identical;
FIG. 4 is a top plan view of my new design; and,
FIG. 5 is a bottom plan view of my new design.

1 Claim, 1 Drawing Sheet



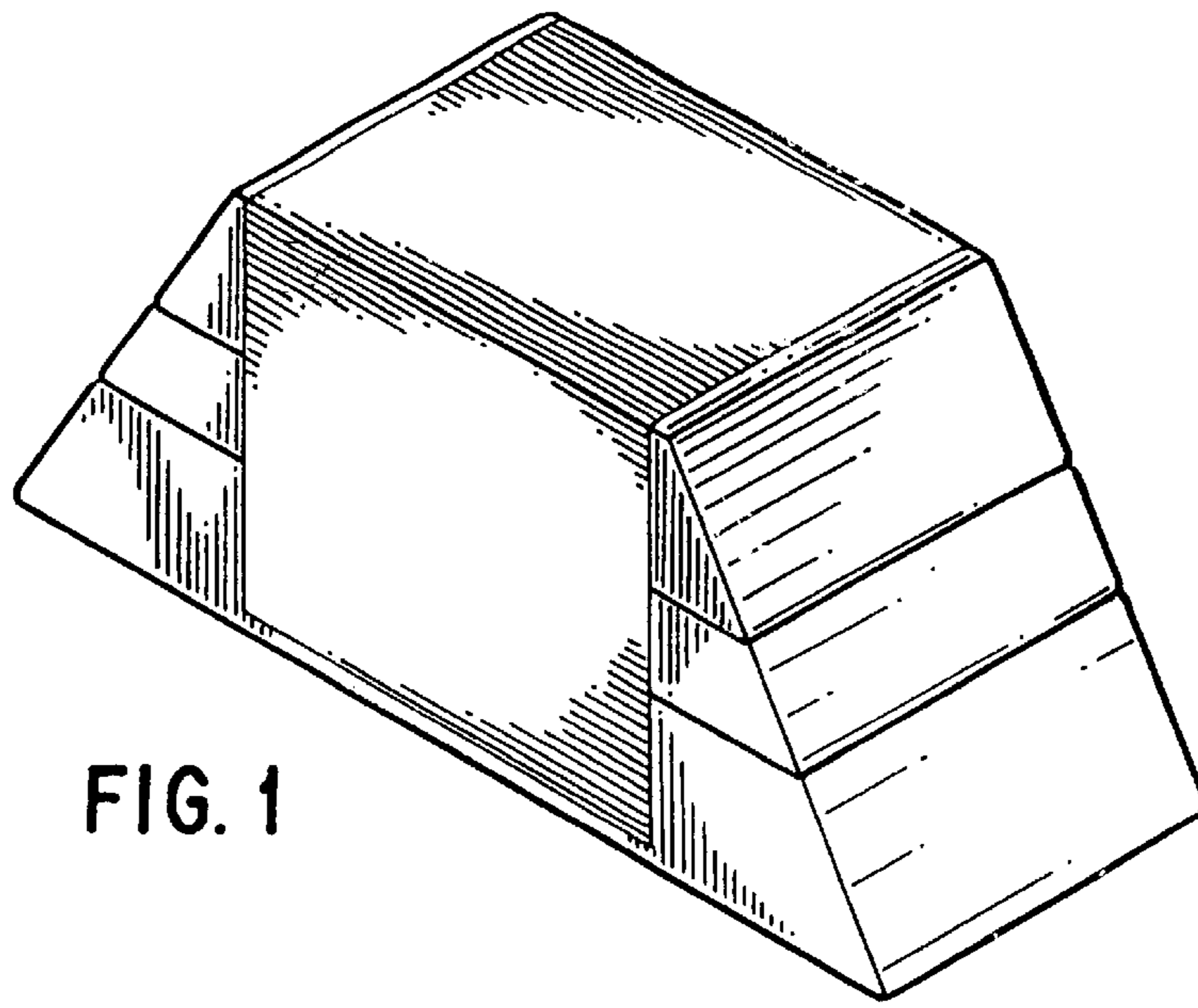


FIG. 1



FIG. 2

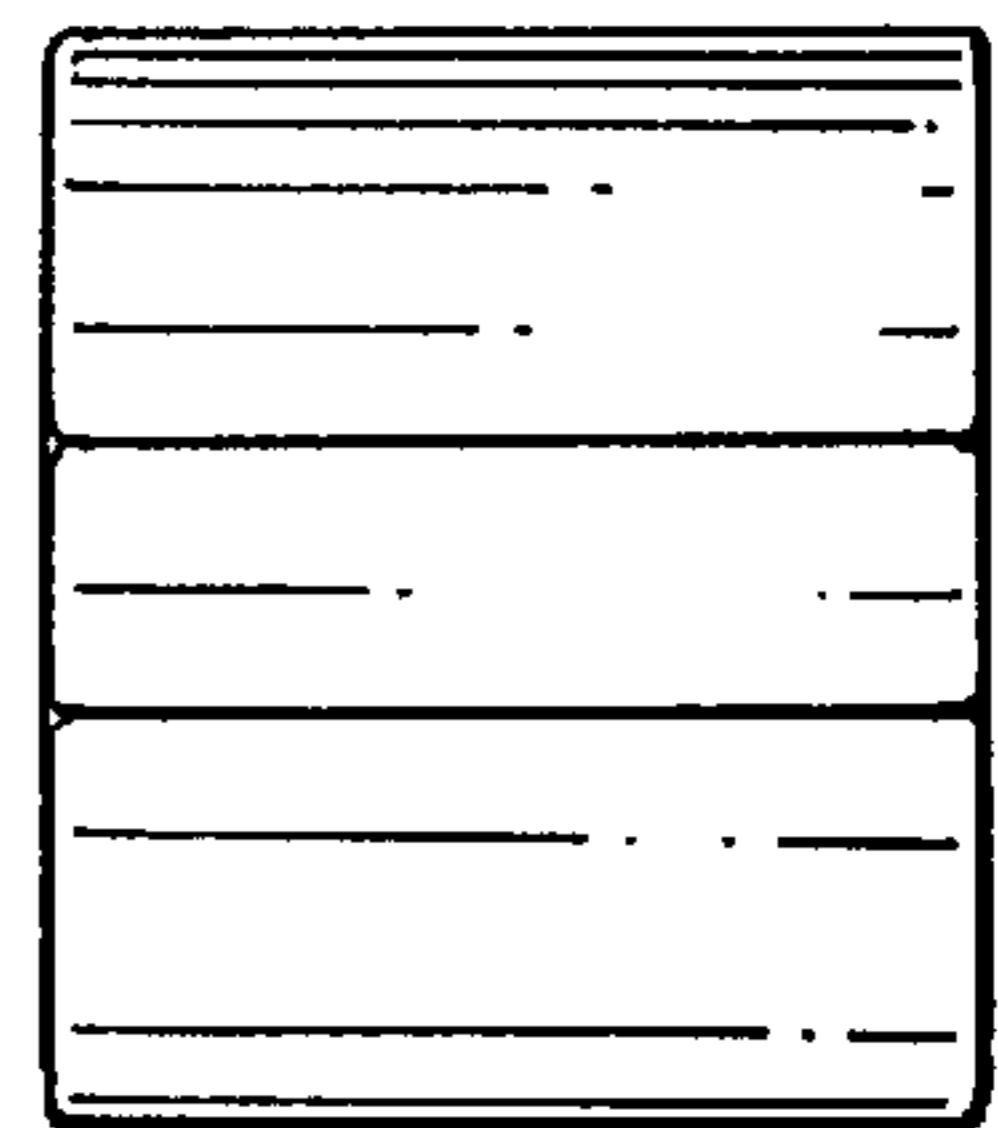


FIG. 3

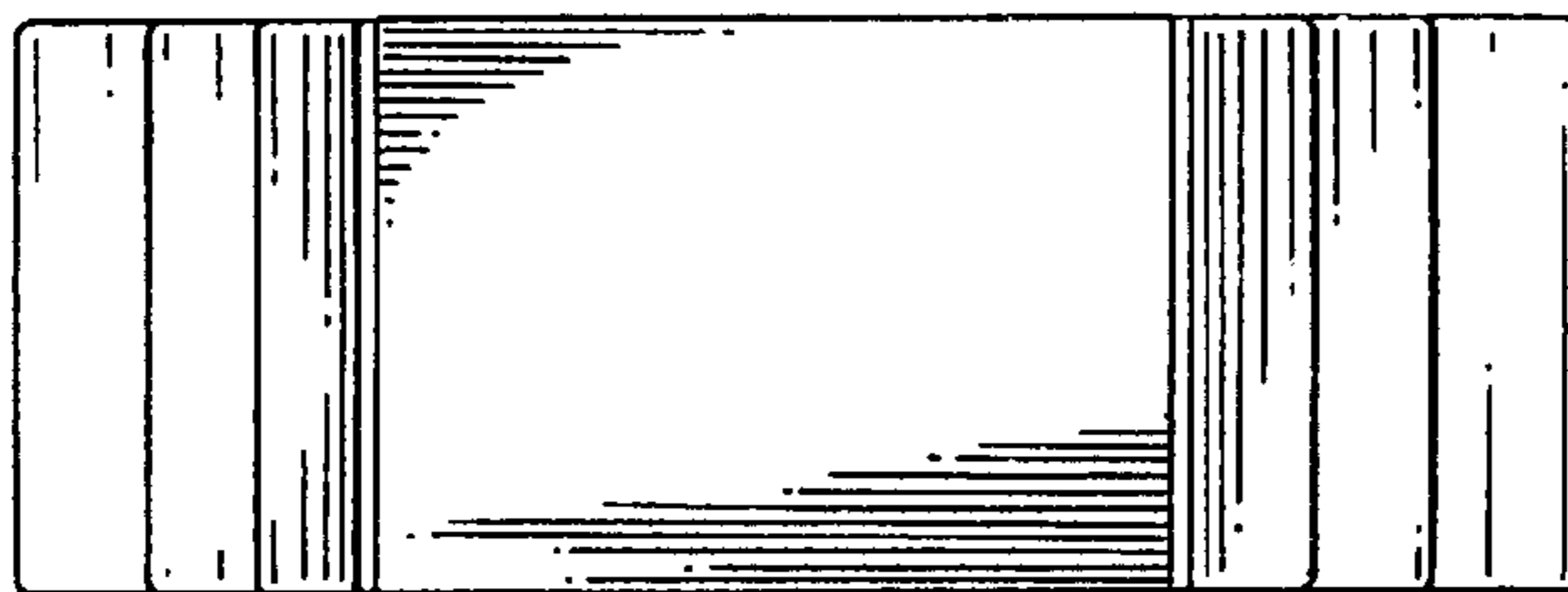


FIG. 4

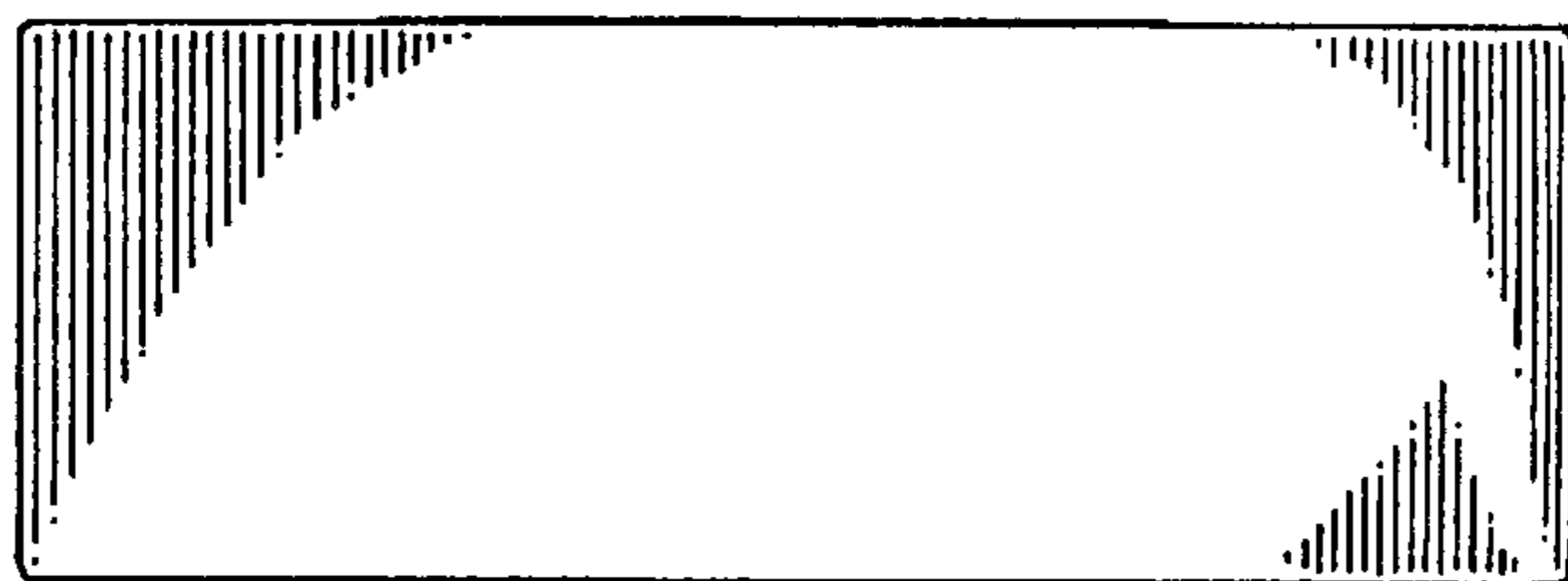


FIG. 5