



US00D463261S

(12) **United States Design Patent**
Ursini et al.

(10) **Patent No.:** **US D463,261 S**

(45) **Date of Patent:** **** Sep. 24, 2002**

(54) **FACETED CHAIR BUMPER**

(75) Inventors: **Joseph Ursini**, Staten Island, NY (US);
David Warren, Tillson, NY (US)

(73) Assignee: **Majestic Industries, Inc.**, Passaic, NJ
(US)

(**) Term: **14 Years**

(21) Appl. No.: **29/131,215**

(22) Filed: **Oct. 17, 2000**

(51) **LOC (7) Cl.** **08-09**

(52) **U.S. Cl.** **D8/402**

(58) **Field of Search** D8/400, 402; 248/345.1

(56) **References Cited**

U.S. PATENT DOCUMENTS

4,106,739 A	8/1978	Gasser	248/345.1
4,582,739 A *	4/1986	Givens	248/345.1 X
B14,106,739 A	7/1991	Gasser	248/345.1
D345,477 S	3/1994	Infanti	D6/502
D345,478 S	3/1994	Infanti	D6/502
D345,479 S	3/1994	Infanti	D6/502
5,527,097 A *	6/1996	Martin	297/463.1
D413,743 S *	9/1999	Regan et al.	D6/502

* cited by examiner

Primary Examiner—Brian N. Vinson

(74) *Attorney, Agent, or Firm*—Dorsey & Whitney, LLP

(57) **CLAIM**

The ornamental design for a faceted chair bumper, as shown and described.

DESCRIPTION

FIG. 1 illustrates a cross-sectional view of the faceted chair bumper.

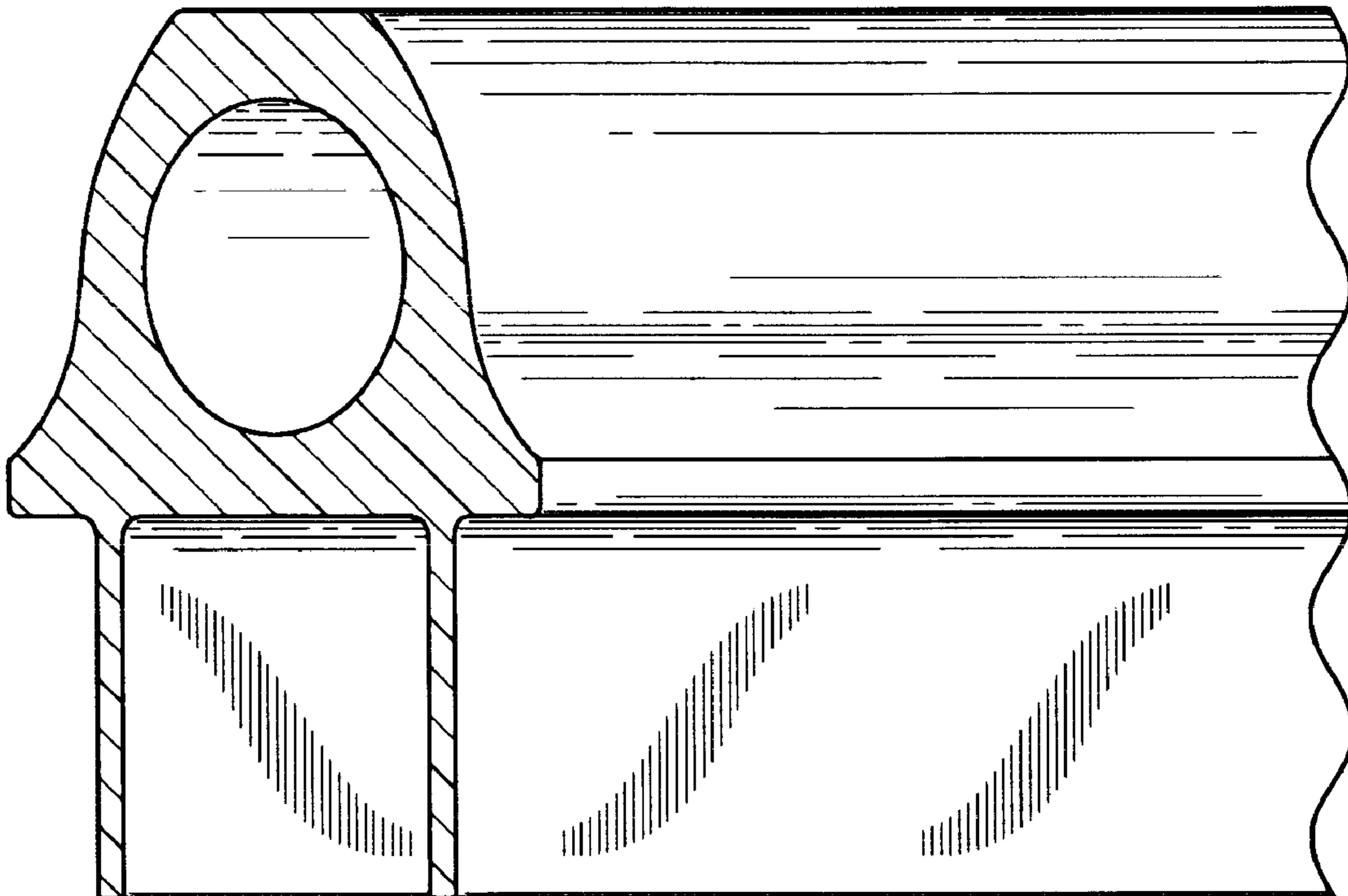
FIG. 2 includes a perspective view of the faceted chair bumper positioned on the perimeter of a chair back and also includes a blown-up view of a cross-sectional region of the bumper that illustrates the manner in which the bumper is attached, with staples, to two pieces of fabric that cover the chair back.

FIG. 3 illustrates a perspective side view of a section of the faceted chair bumper; and,

FIG. 4 illustrates a perspective top view of a portion of the faceted.

The chair portions, staples, fabric pieces, etcetera shown in broken lines are provided for illustrative purposes only and form no part of the claimed design.

1 Claim, 4 Drawing Sheets



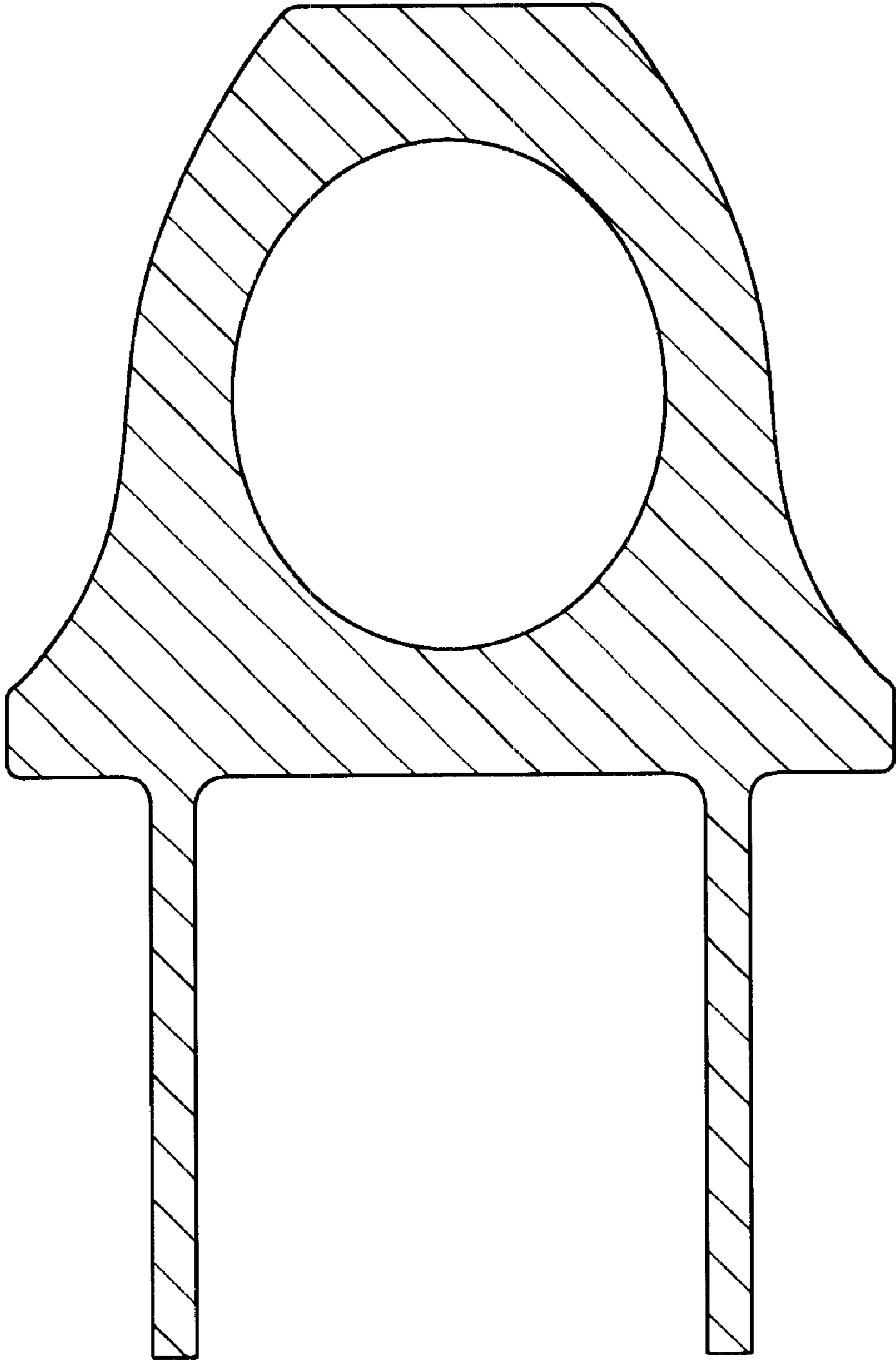


FIG. 1

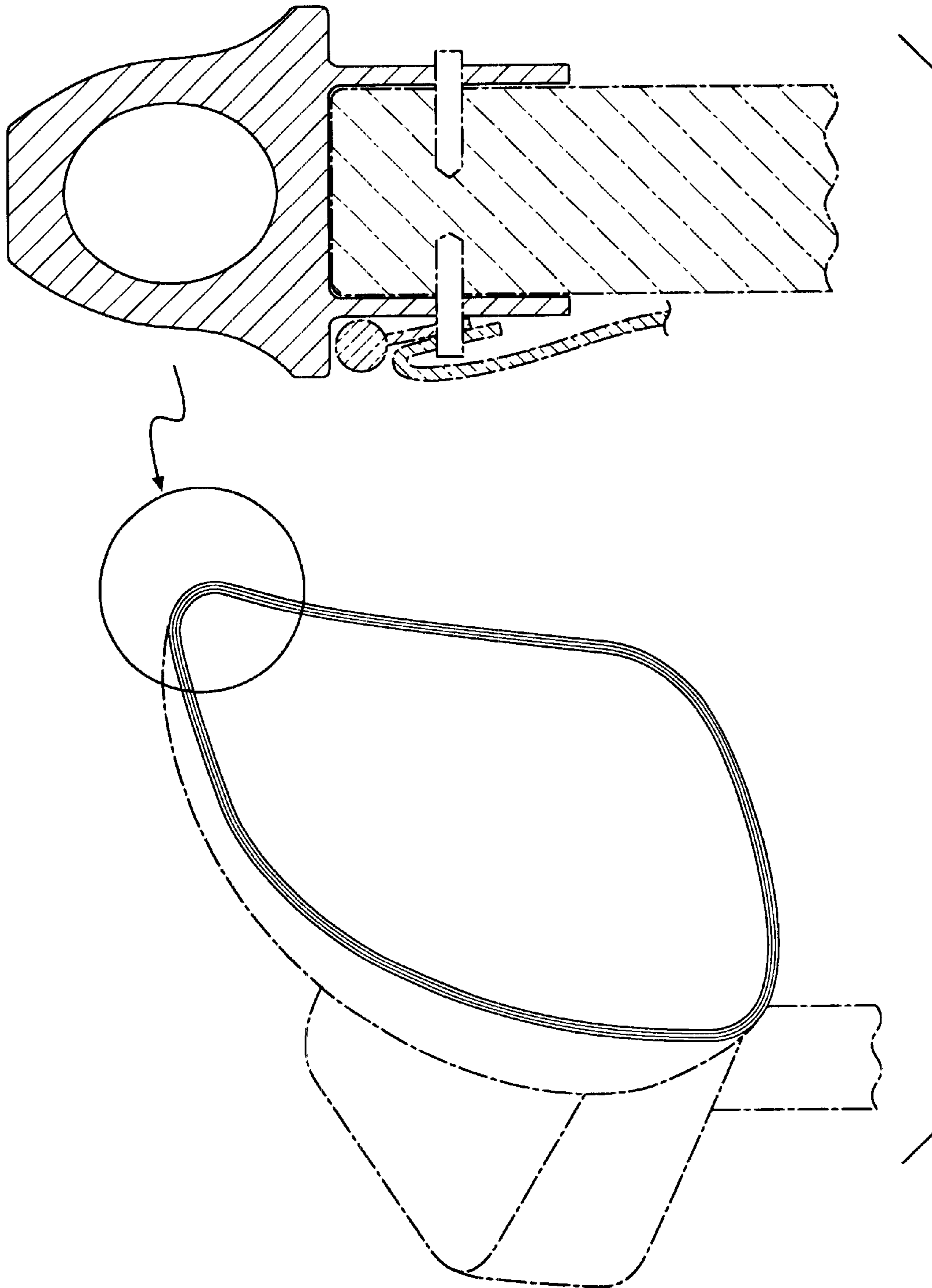


FIG. 2

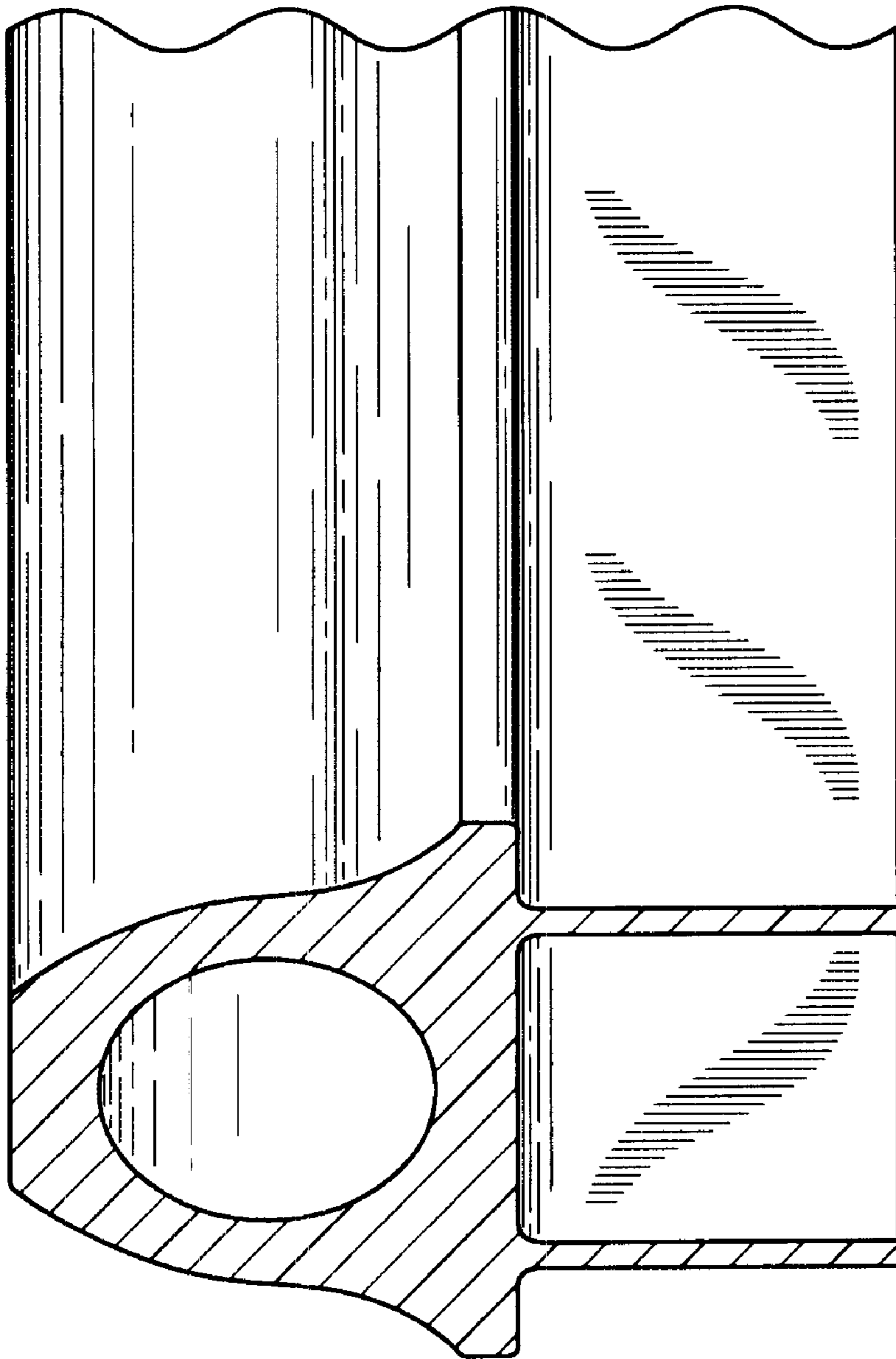


FIG. 3

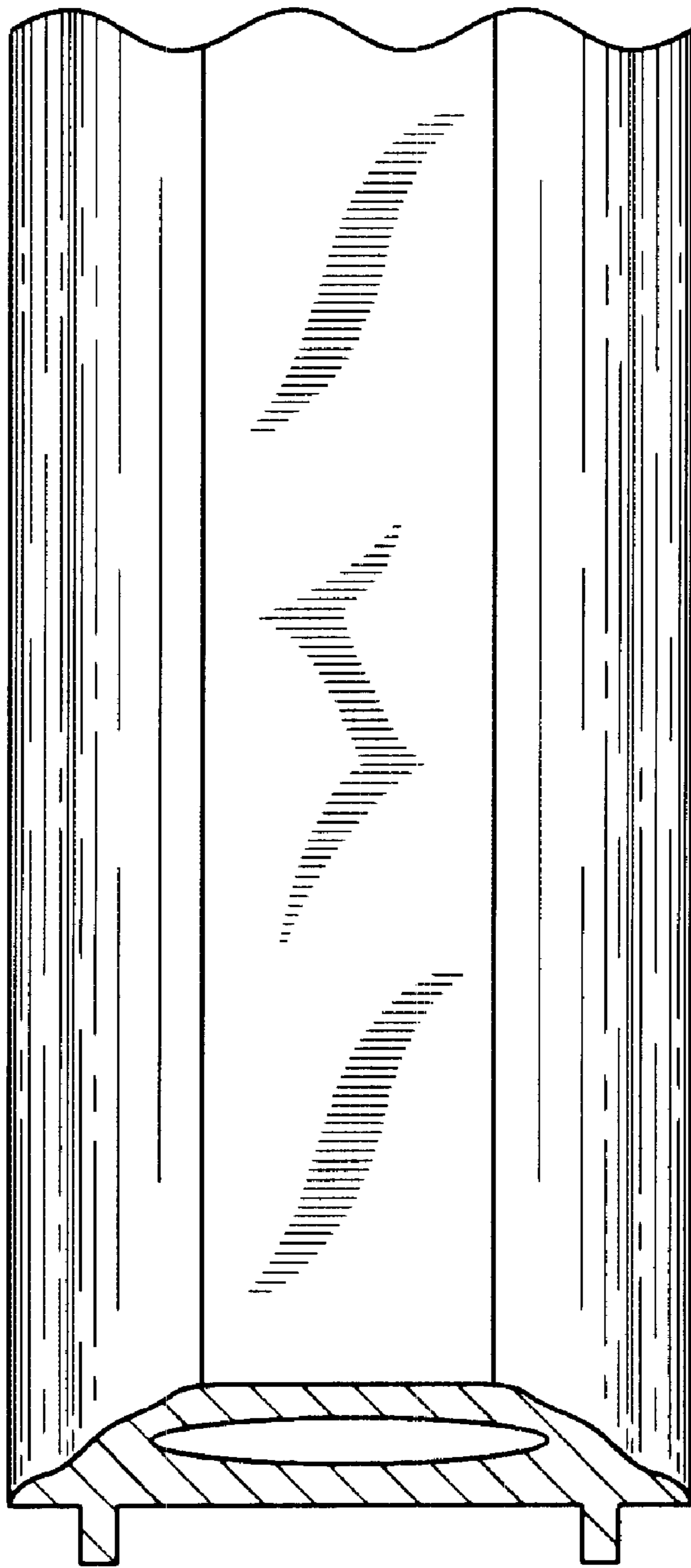


FIG. 4