



US00D463260S

(12) **United States Design Patent**  
**Fields**

(10) **Patent No.:** **US D463,260 S**

(45) **Date of Patent:** **\*\* Sep. 24, 2002**

(54) **ROPE CLAMP**

(76) **Inventor:** **William R. Fields**, P.O. Box 965, Palo Cedro, CA (US) 96073-0965

(\*\*) **Term:** **14 Years**

(21) **Appl. No.:** **29/123,594**

(22) **Filed:** **May 22, 2000**

(51) **LOC (7) Cl.** ..... **08-08**

(52) **U.S. Cl.** ..... **D8/383**

(58) **Field of Search** ..... D8/382, 383, 356, D8/396, 399; 24/130, 115 R, 122.6, 135 R, 135 K, 136 B; 114/218; 403/211

(56) **References Cited**

**U.S. PATENT DOCUMENTS**

- 919,026 A \* 4/1909 Knapp
- D148,933 S \* 3/1948 Karleen
- 5,152,241 A \* 10/1992 Brown et al. .... 114/199
- 5,950,556 A \* 9/1999 Liebe ..... 114/230.1

\* cited by examiner

*Primary Examiner*—Alan P. Douglas

*Assistant Examiner*—Clare E. Heflin

(74) *Attorney, Agent, or Firm*—Meschkow & Gresham P.L.C.; Jordan M. Meschkow; Lowell W. Gresham

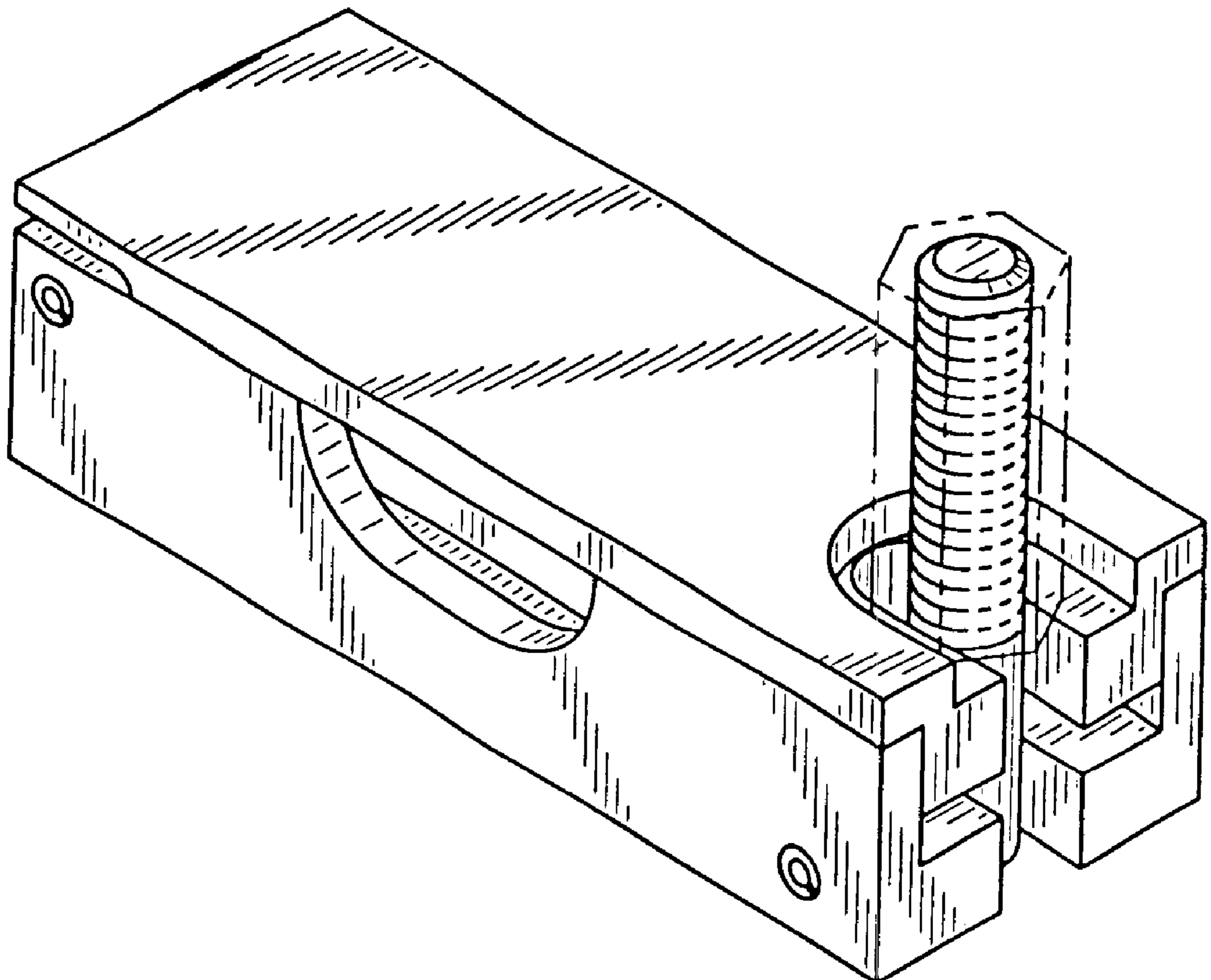
(57) **CLAIM**

The ornamental design for a rope clamp; as shown and described.

**DESCRIPTION**

FIG. 1 is a front perspective view of a rope clamp, showing my new design therefor;  
 FIG. 2 is a frontal view therefor;  
 FIG. 3 is a rear view therefor;  
 FIG. 4 is a side view therefor, showing the left side, the right side being a mirror image thereof;  
 FIG. 5 is a top plan view therefor; and,  
 FIG. 6 is a bottom plan view therefor.  
 The broken lines shown on the drawings are for illustrative purposes only and form no part of the claimed design.

**1 Claim, 2 Drawing Sheets**



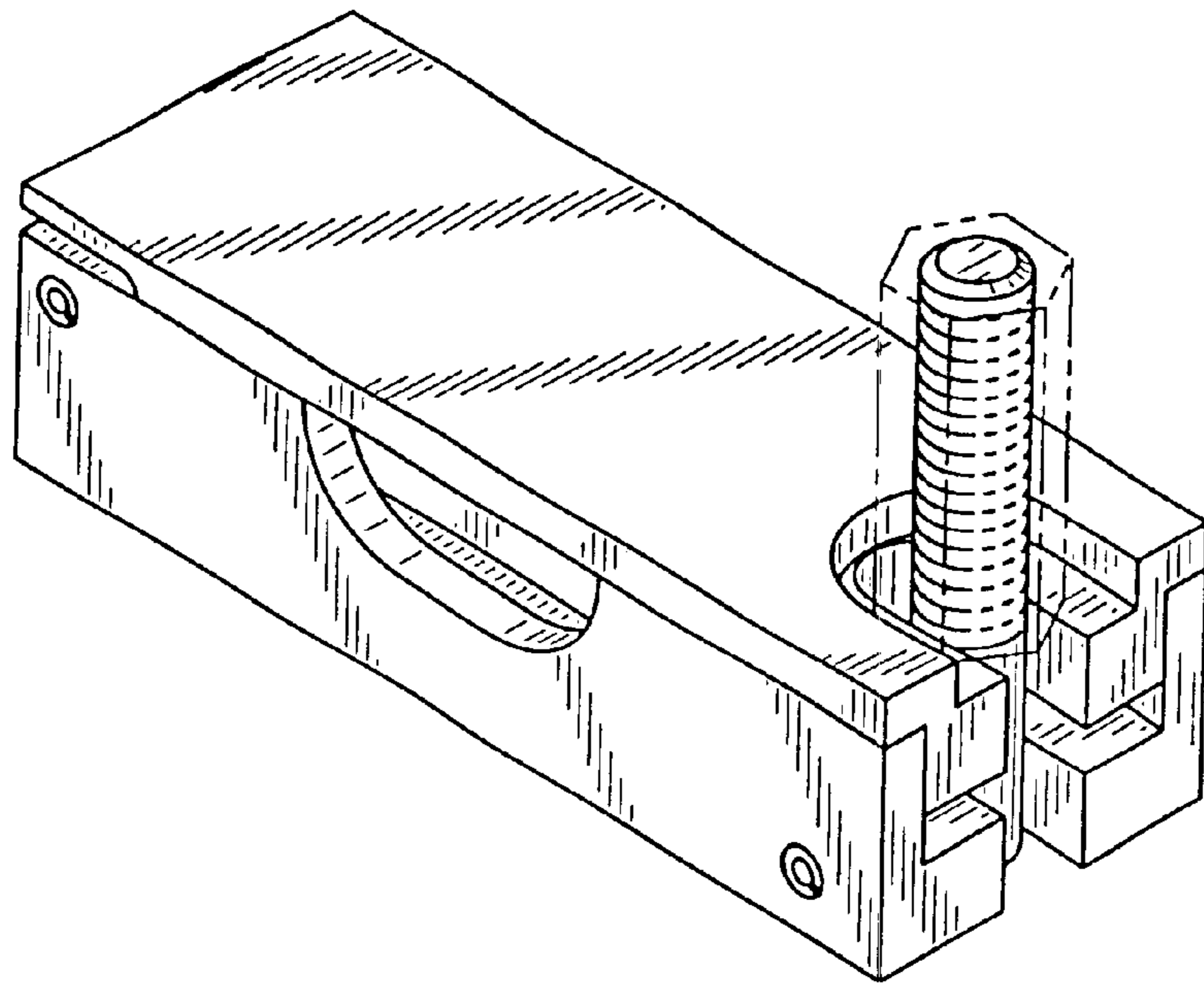


FIG. 1

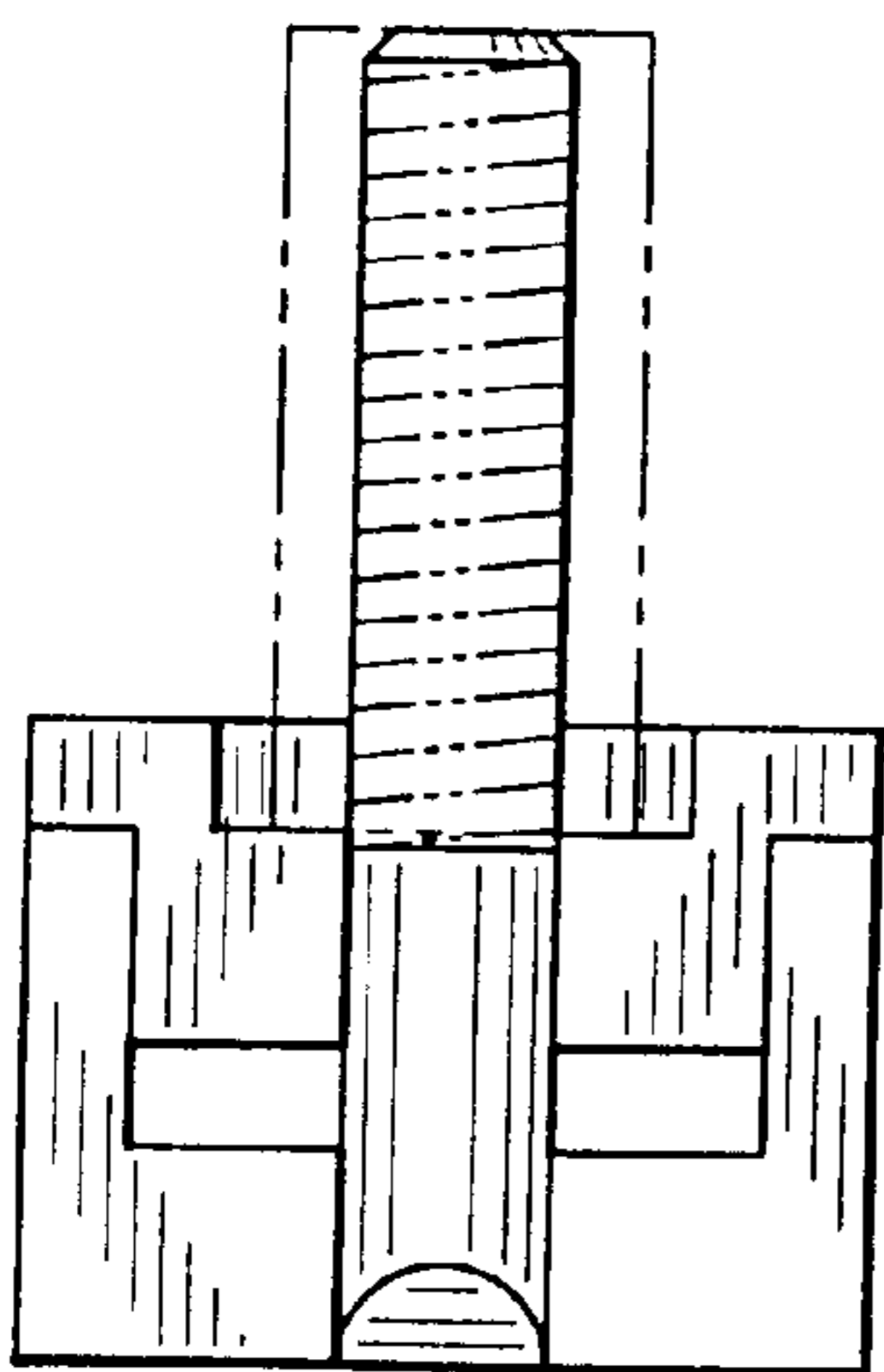


FIG. 2

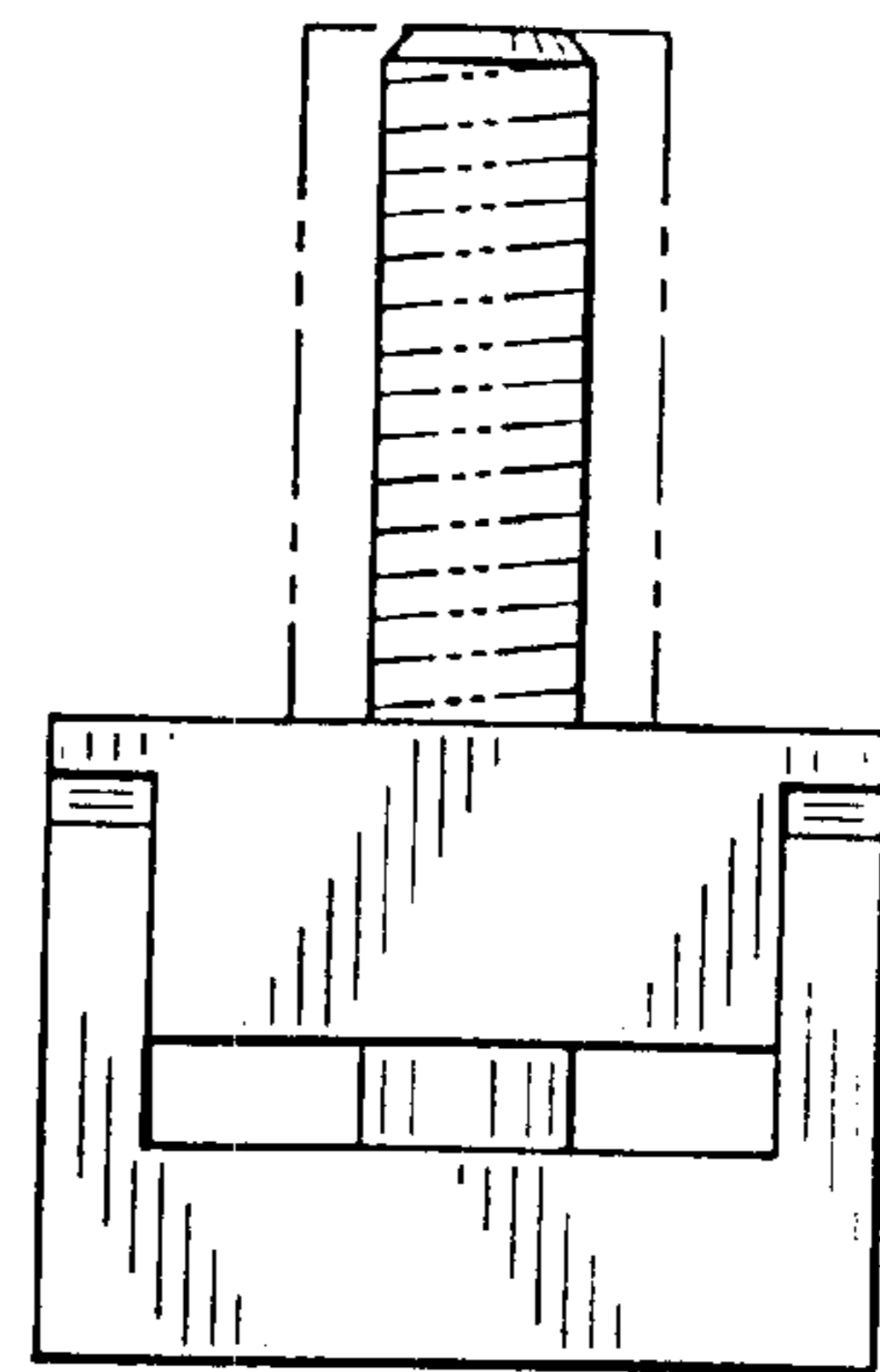


FIG. 3

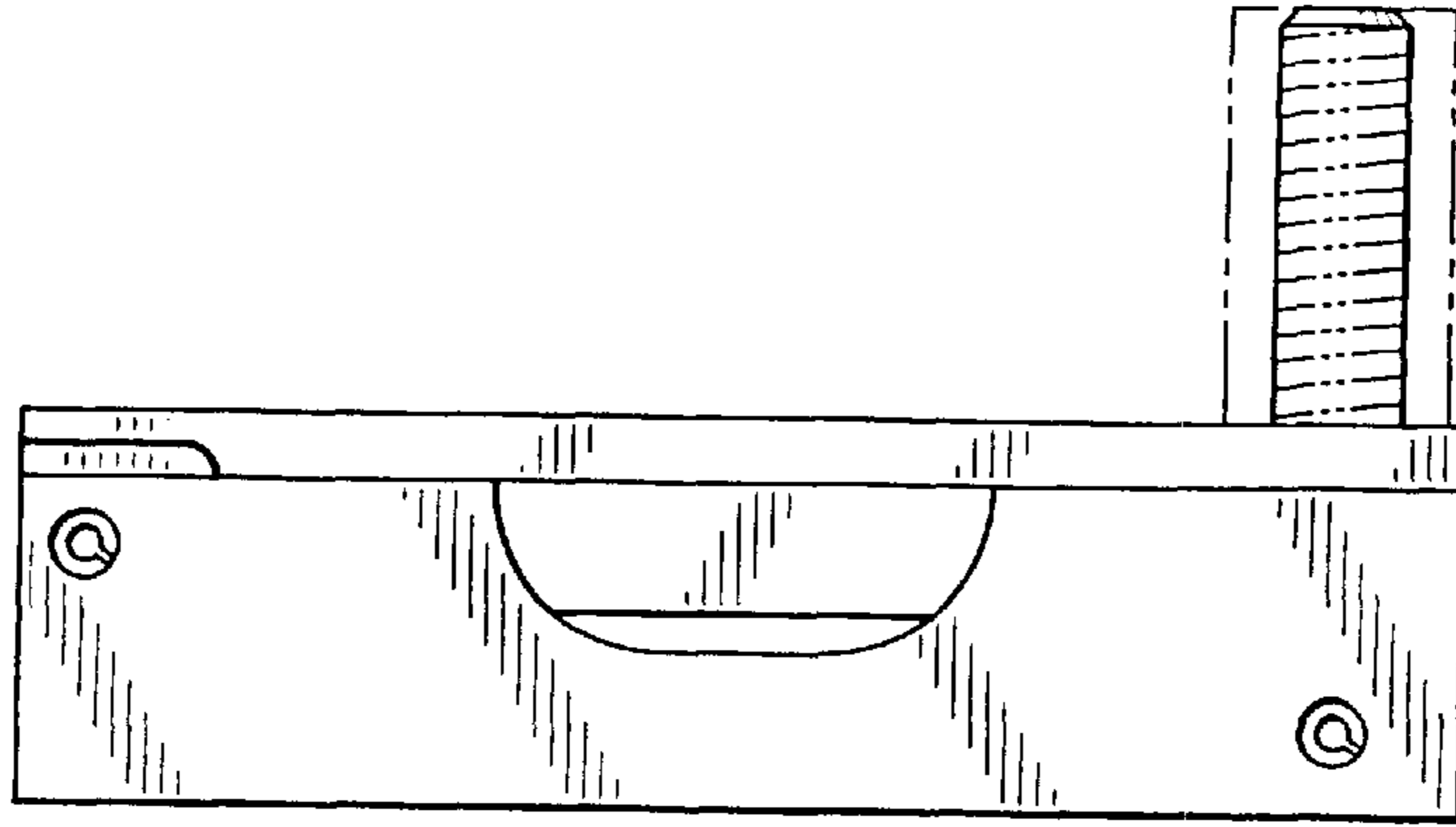


FIG. 4

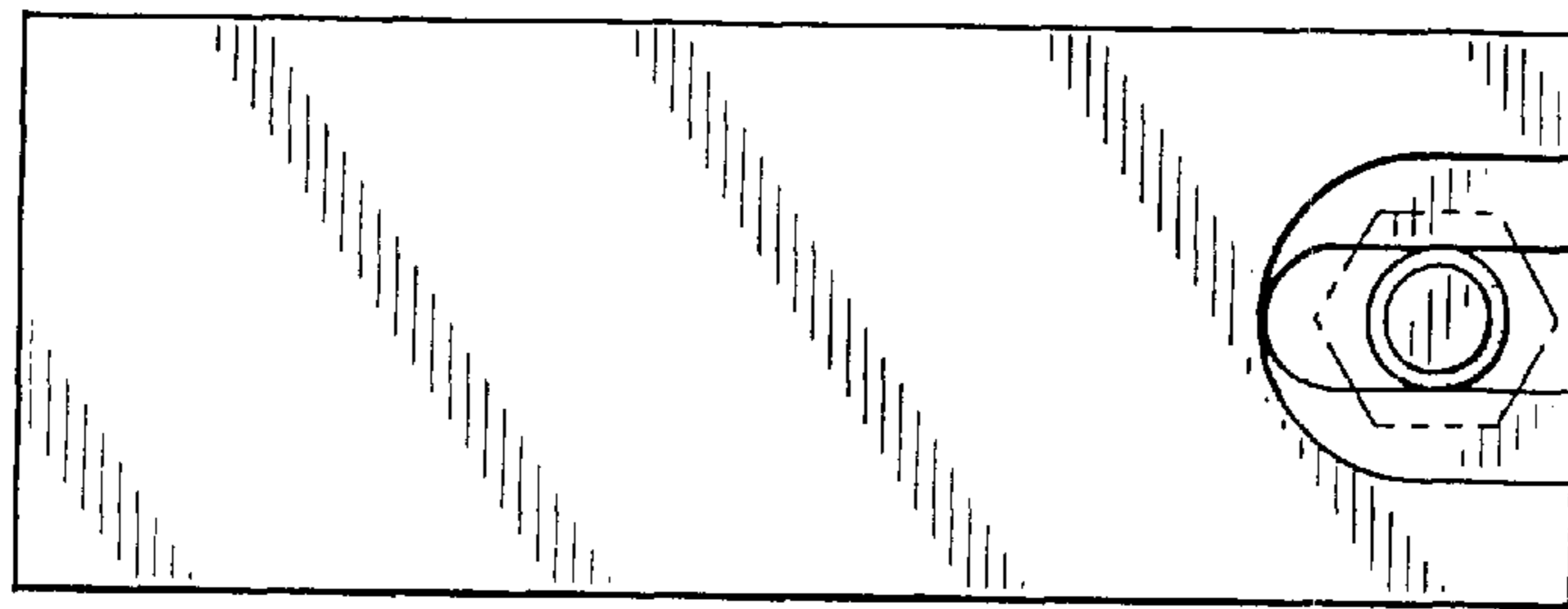


FIG. 5

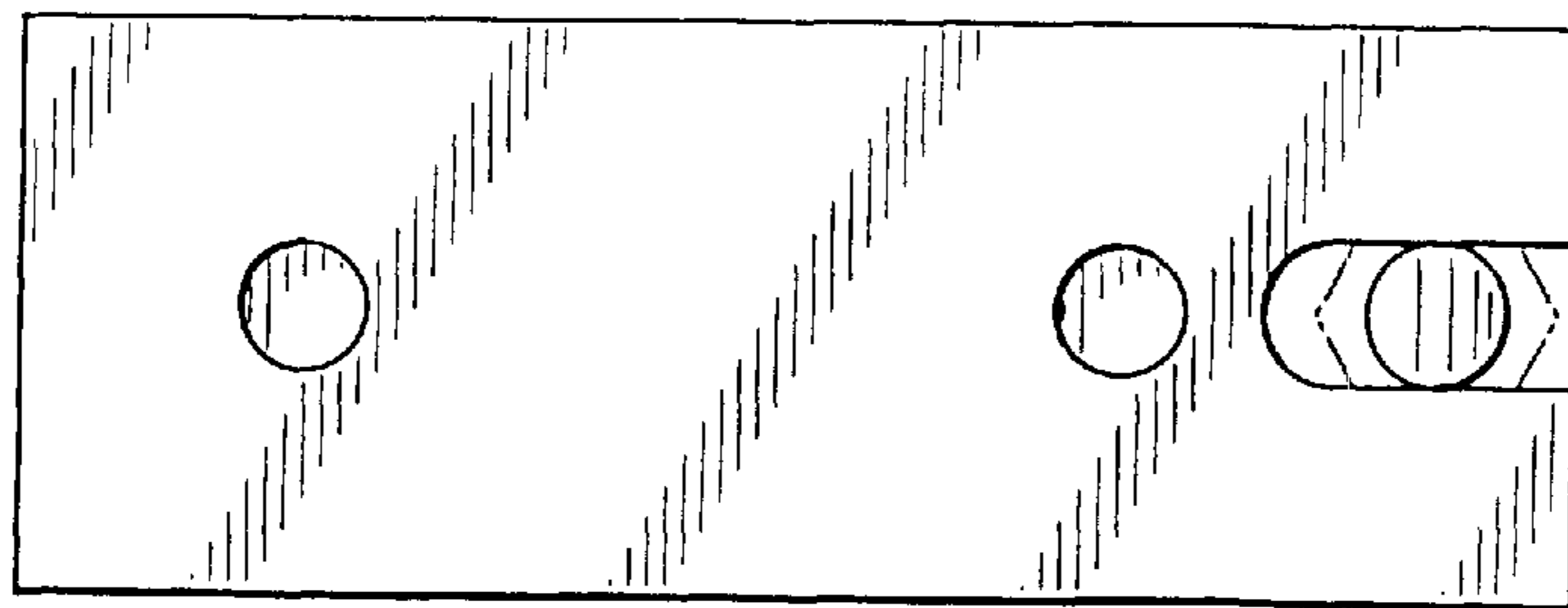


FIG. 6