



US00D463259S

(12) **United States Design Patent**  
**Raymond et al.**

(10) **Patent No.: US D463,259 S**  
(45) **Date of Patent: \*\* Sep. 24, 2002**

(54) **PLASTIC FASTENER**

(75) Inventors: **Jeffery A. Raymond**, Leominster, MA  
(US); **William J. Cooper**, Woonsocket,  
RI (US)

(73) Assignee: **Avery Dennison Corporation**,  
Pasadena, CA (US)

(\*\*) Term: **14 Years**

(21) Appl. No.: **29/136,142**

(22) Filed: **Jan. 24, 2001**

(51) **LOC (7) Cl. .... 08-08**

(52) **U.S. Cl. .... D8/382**

(58) **Field of Search .... D8/382; 206/343-348,**  
206/338, 820

(56) **References Cited**

**U.S. PATENT DOCUMENTS**

3,733,657 A	5/1973	Lankton	
3,850,297 A	* 11/1974	Merser	206/343
4,417,656 A	* 11/1983	Kato	206/346
4,456,123 A	6/1984	Russell	
4,533,076 A	8/1985	Borque	
4,586,609 A	5/1986	Won	
RE32,332 E	1/1987	Kato	
4,660,718 A	4/1987	Kato	
4,712,667 A	12/1987	Russell	

4,901,854 A	*	2/1990	Bone et al.	206/343
5,321,872 A	*	6/1994	Merser	24/704.1
RE34,891 E		4/1995	Kunreuther	
5,463,799 A		11/1995	Graham	
5,593,033 A	*	1/1997	Kunreuther	206/346
6,047,823 A		4/2000	Deschenes	
6,062,384 A	*	5/2000	Ueno et al.	206/346
6,129,206 A		10/2000	Cooper	
6,173,836 B1	*	1/2001	Cooper	206/346
6,293,399 B1	*	9/2001	Cooper	206/346

**FOREIGN PATENT DOCUMENTS**

WO WO 00/03935 1/2000

\* cited by examiner

*Primary Examiner*—Alan P. Douglas

*Assistant Examiner*—Clare E. Heflin

(74) *Attorney, Agent, or Firm*—Kriegsman & Kriegsman

(57) **CLAIM**

The ornamental design for a plastic fastener, as shown.

**DESCRIPTION**

FIG. 1 is an isometric view of a plastic fastener of this invention;

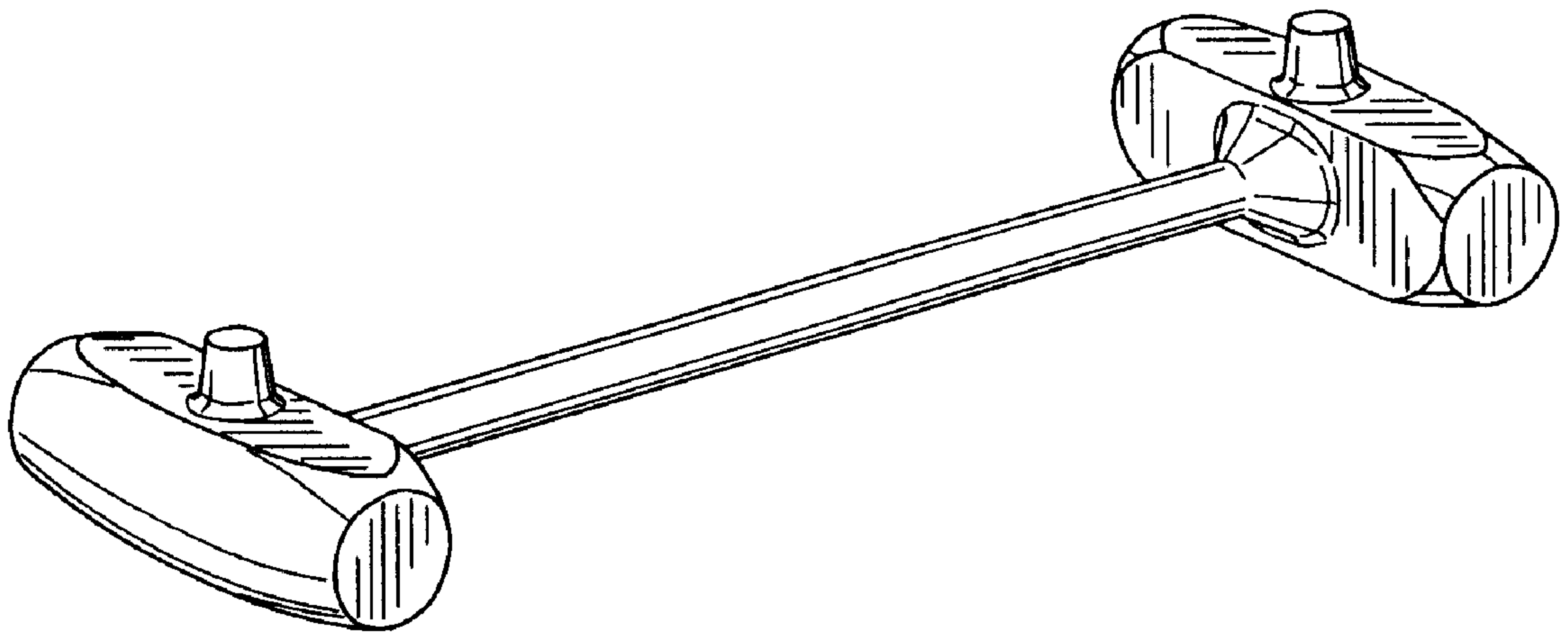
FIG. 2 is a top view thereof;

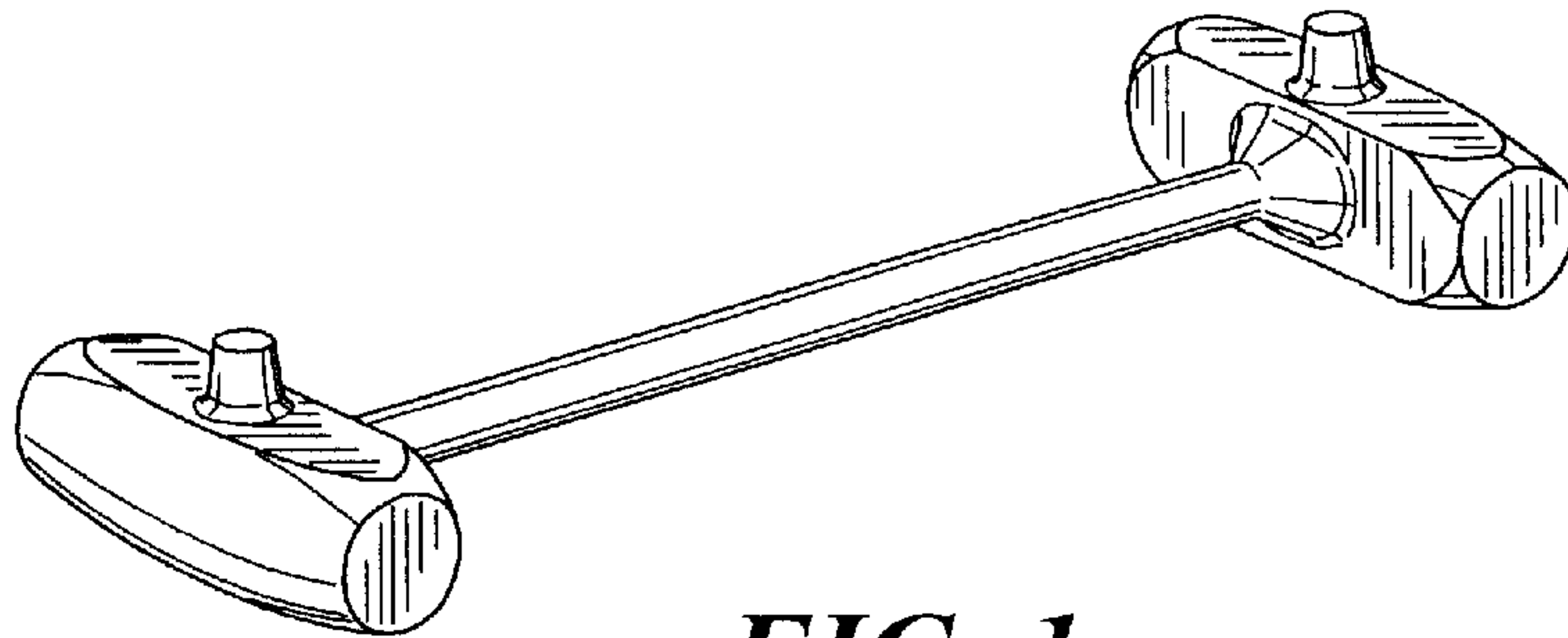
FIG. 3 is a front view thereof;

FIG. 4 is a right end view thereof; and,

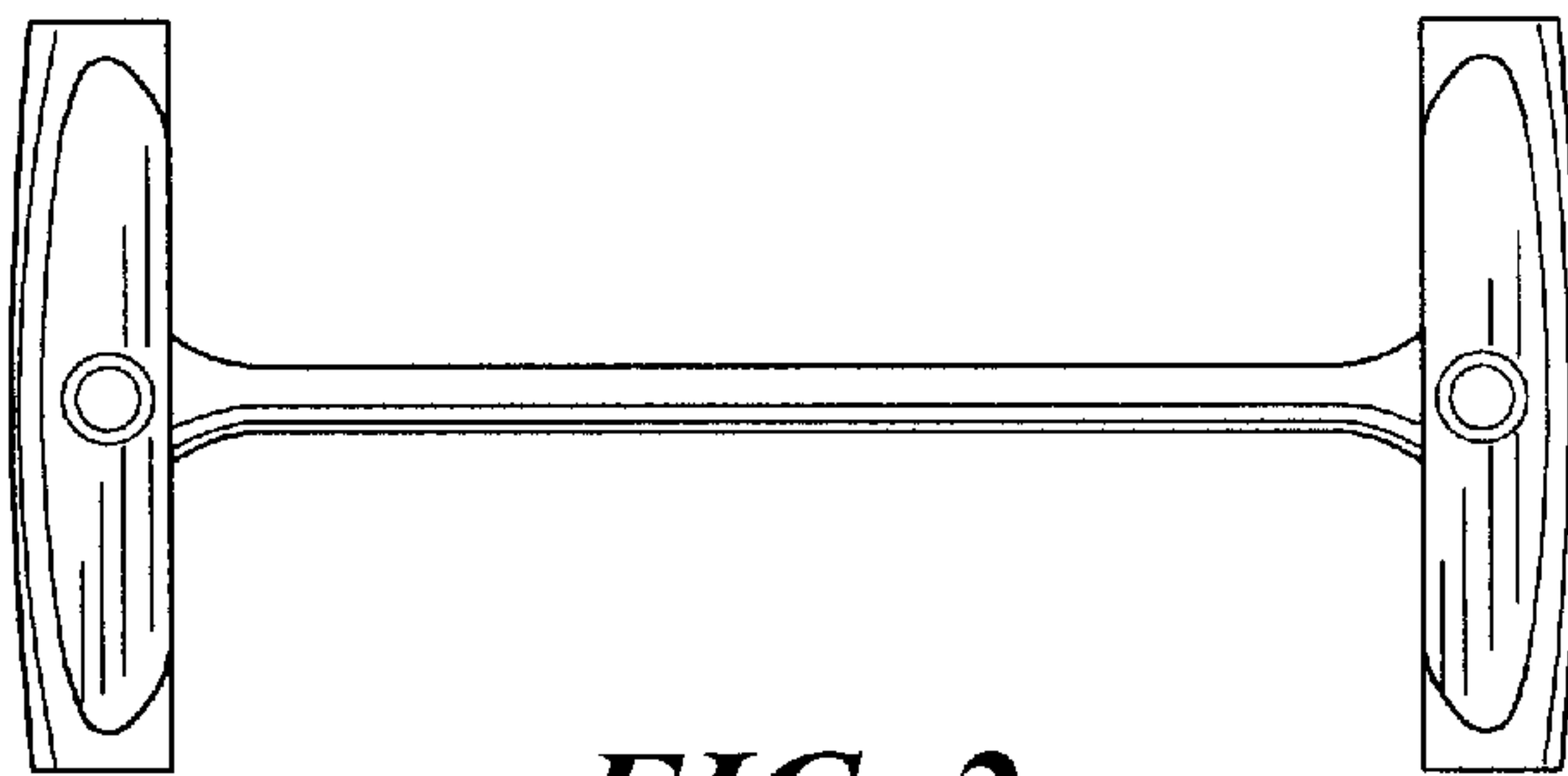
FIG. 5 is a bottom view thereof.

**1 Claim, 1 Drawing Sheet**

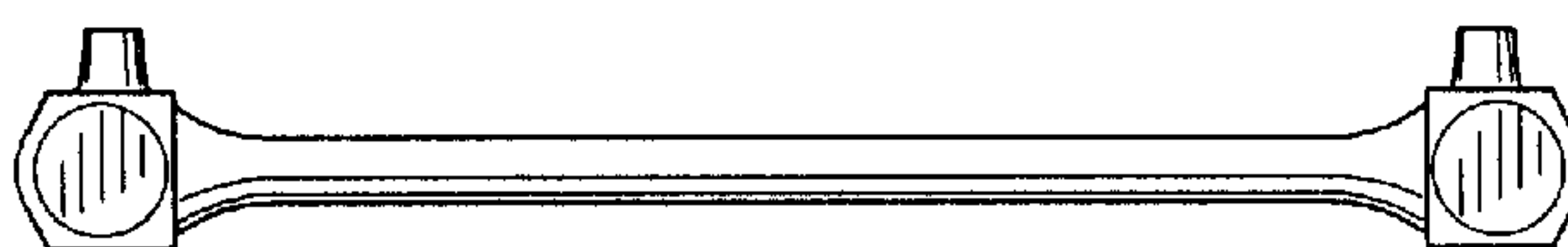




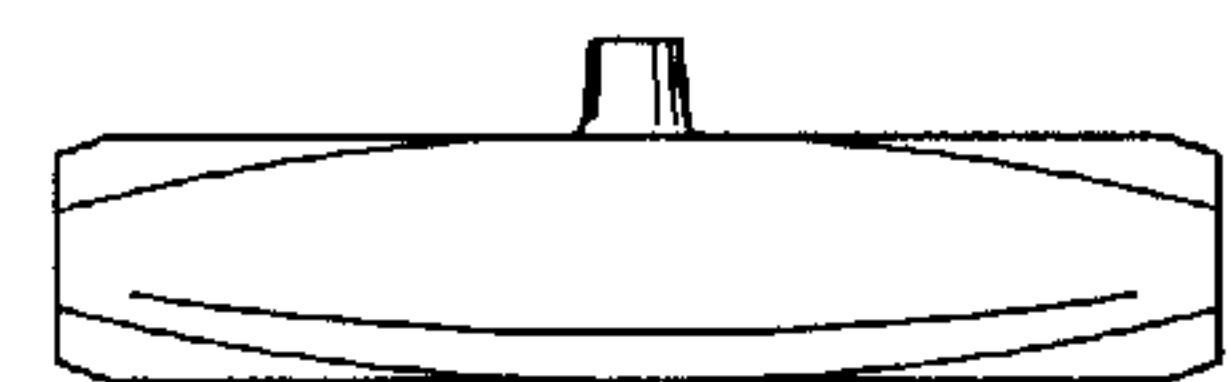
**FIG. 1**



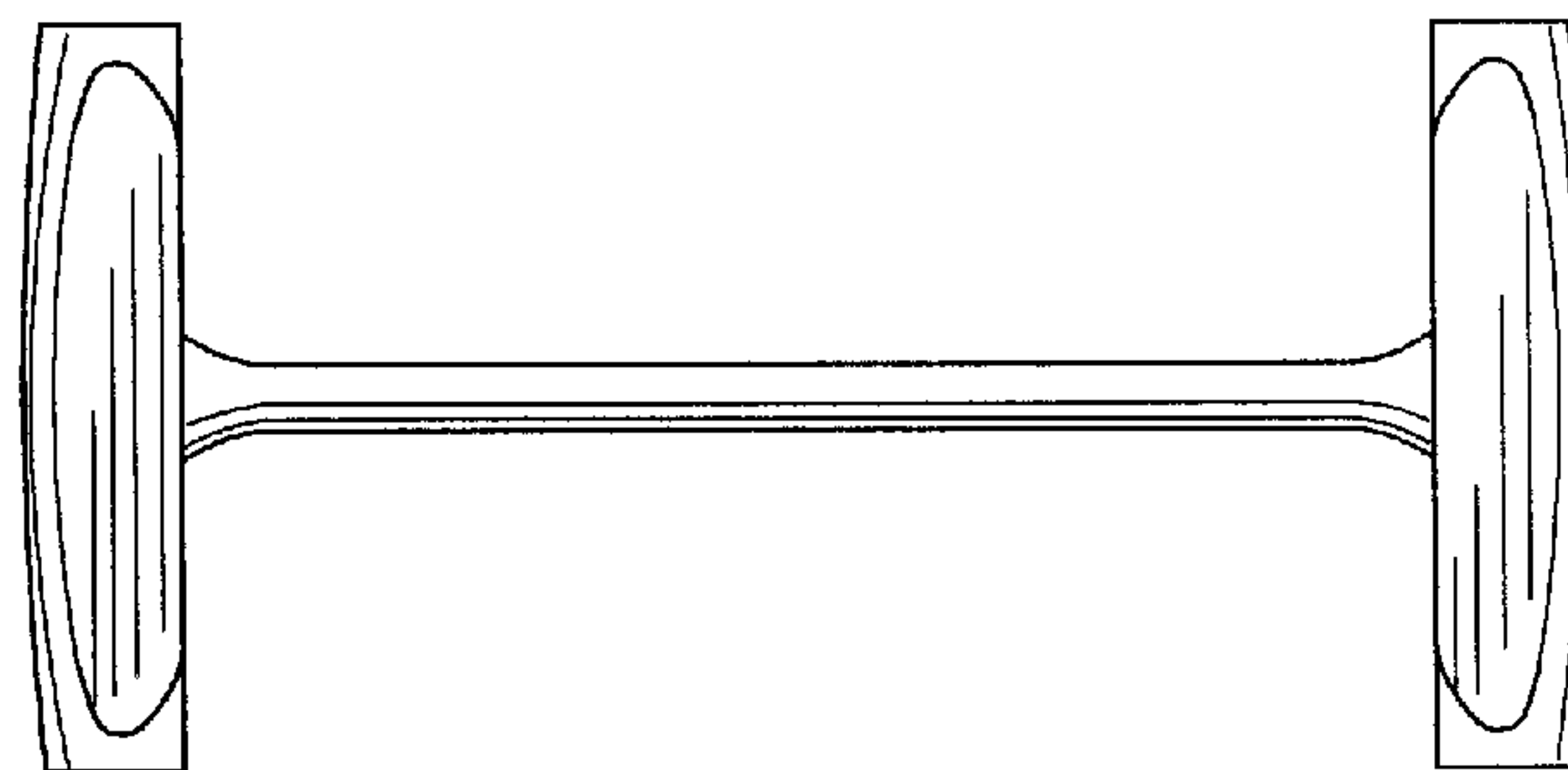
**FIG. 2**



**FIG. 3**



**FIG. 4**



**FIG. 5**